



US00D397813S

United States Patent [19] Pun

[11] Patent Number: **Des. 397,813**

[45] Date of Patent: ****Sep. 1, 1998**

[54] **NIGHT LIGHT WITH SOCKET**

5,465,198 11/1995 Kellogg 362/253

[75] Inventor: **Kam-Wah Pun**, Hong Kong, Hong Kong

Primary Examiner—Susan J. Lucas
Attorney, Agent, or Firm—Salter & Michaelson

[73] Assignee: **Styling City Limited**, Kowloon, Hong Kong

[57] **CLAIM**

[**] Term: **14 Years**

The ornamental design for a night light with socket, as shown.

[21] Appl. No.: **74,033**

DESCRIPTION

[22] Filed: **Jul. 23, 1997**

FIG. 1 is a front elevational view of a night light with socket showing my new design;

[51] LOC (6) Cl. **26-05**

FIG. 2 is a rear elevational view thereof;

[52] U.S. Cl. **D26/26**

FIG. 3 is a left elevational view thereof;

[58] Field of Search D26/26, 24; 362/147, 362/226, 253, 95

FIG. 4 is a right elevational view thereof;

FIG. 5 is a top plan view thereof; and,

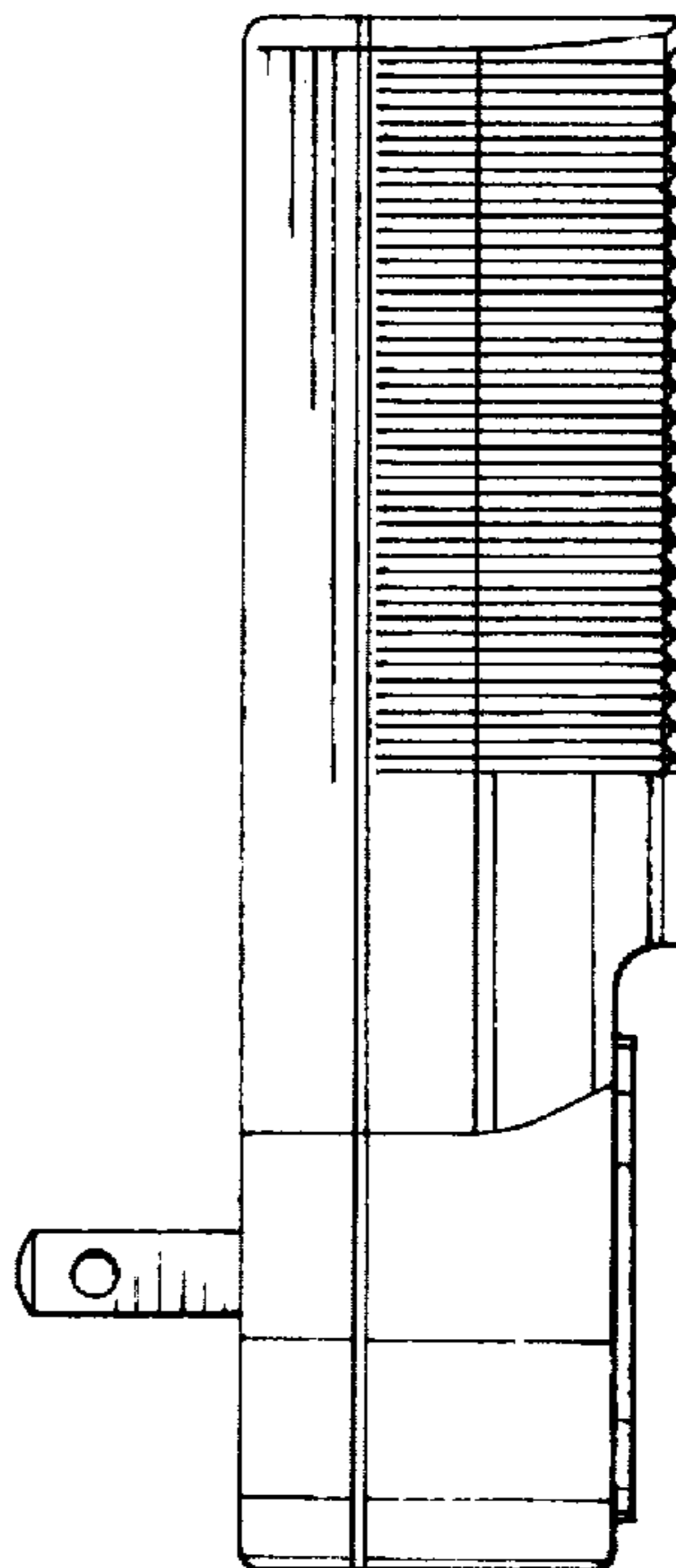
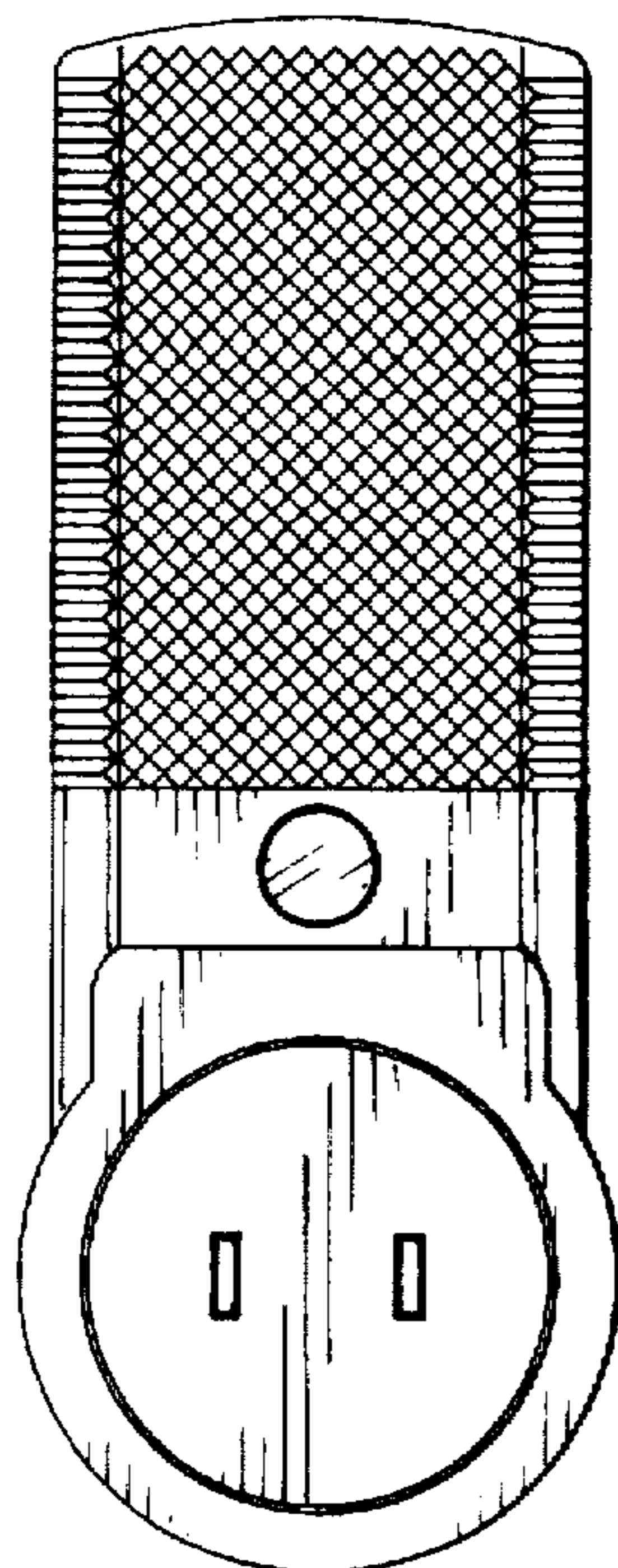
FIG. 6 is a bottom plan view thereof.

[56] **References Cited**

U.S. PATENT DOCUMENTS

4,343,032 8/1982 Schwartz 362/147 X

1 Claim, 1 Drawing Sheet



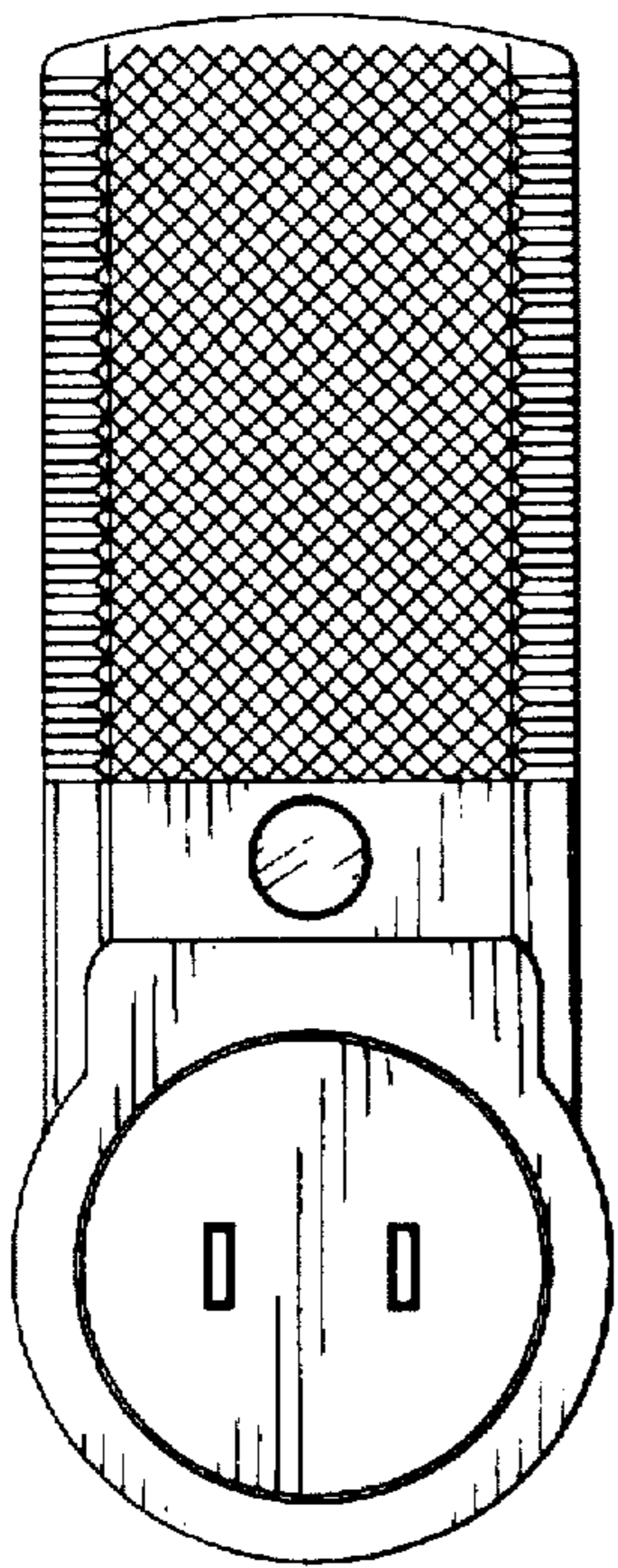


FIG. 1

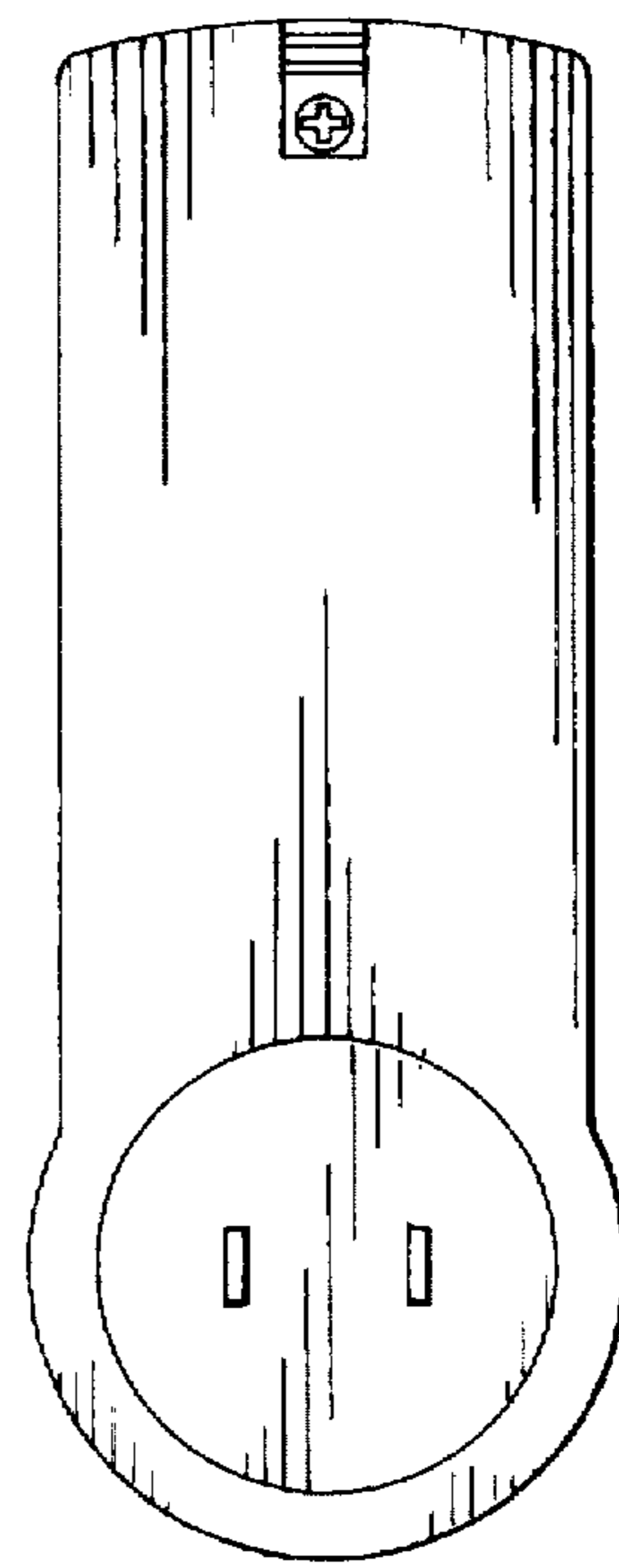


FIG. 2

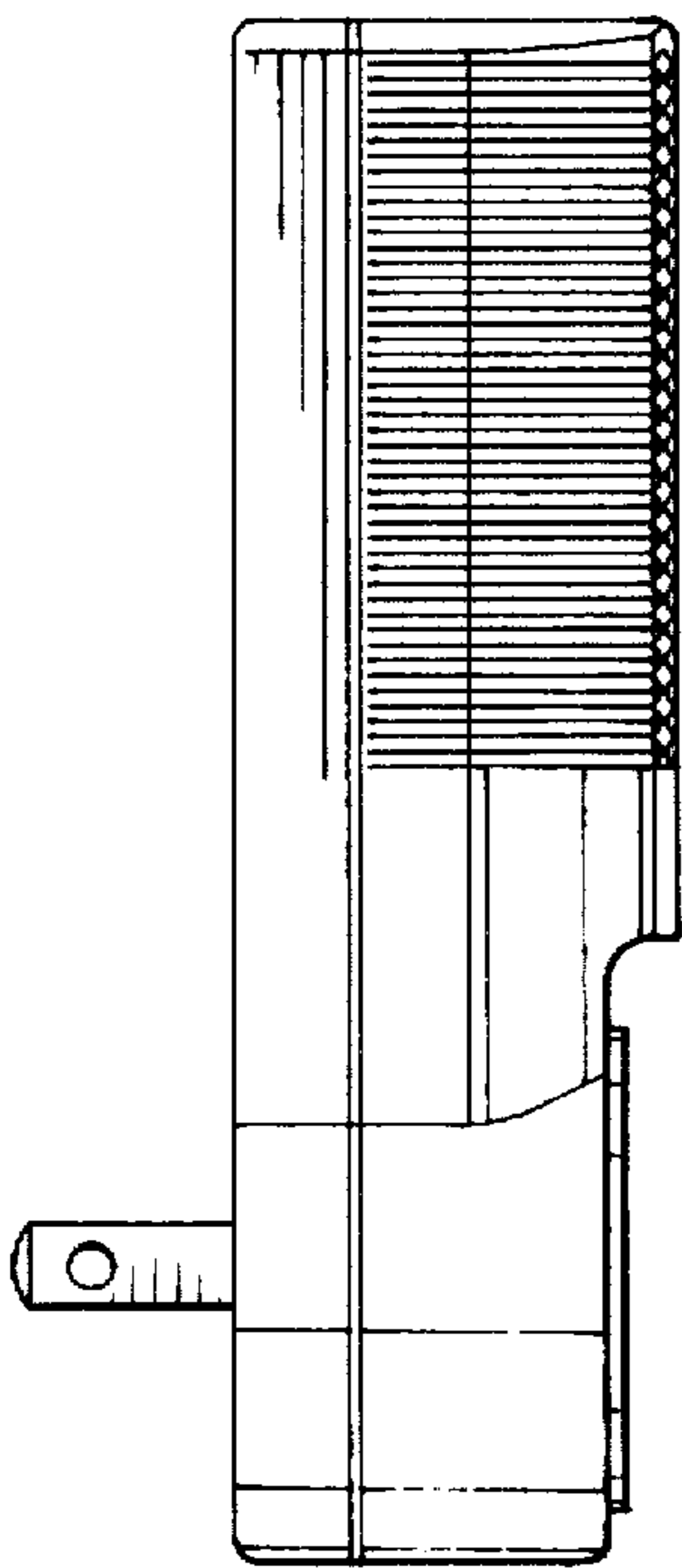


FIG. 3

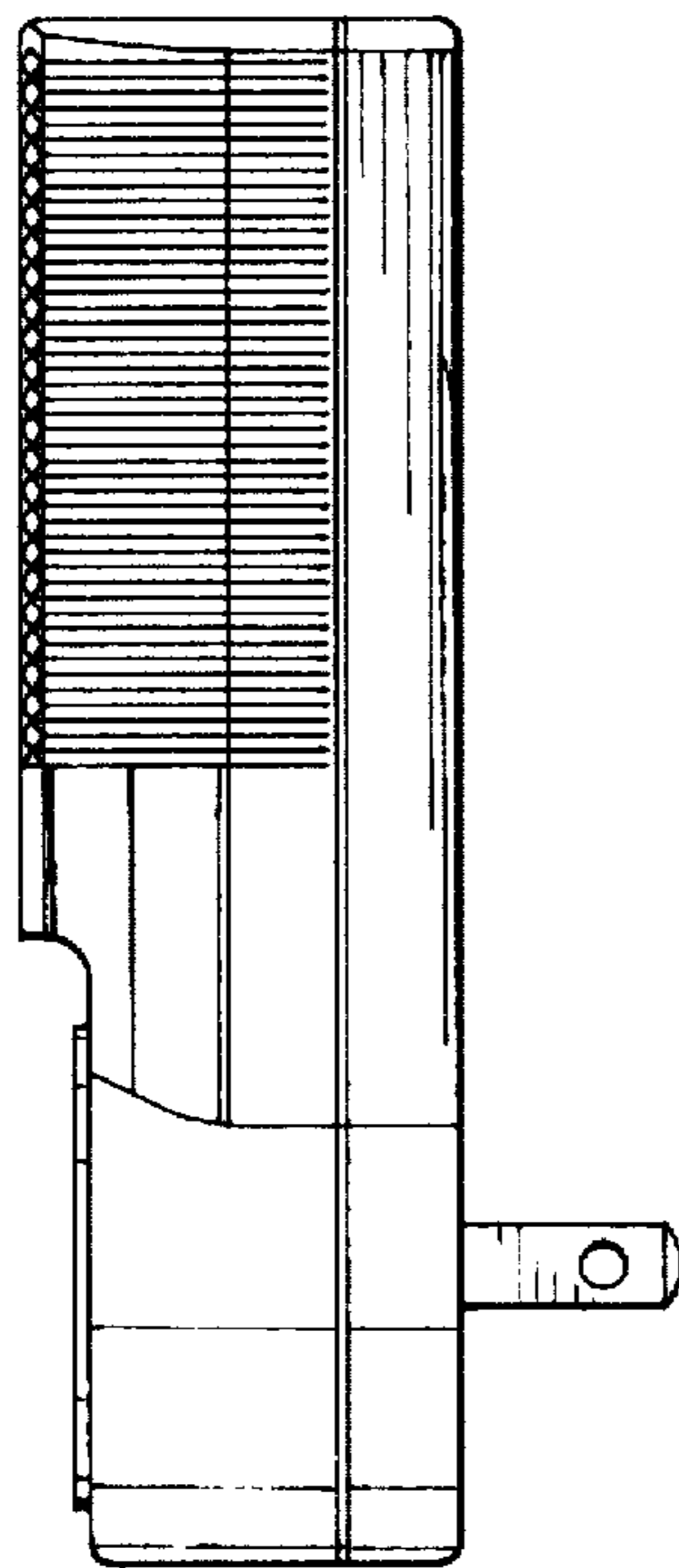


FIG. 4

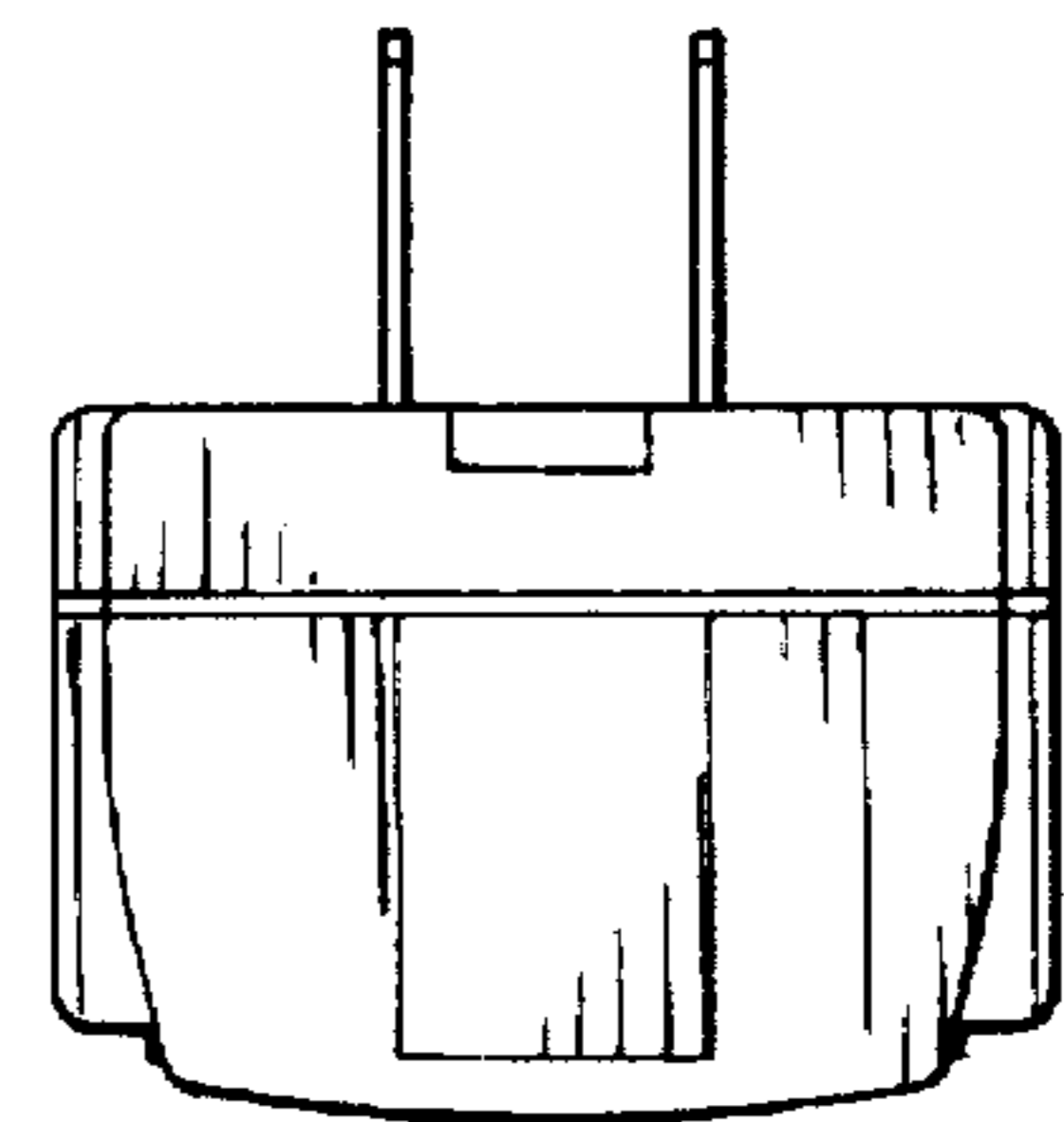


FIG. 5

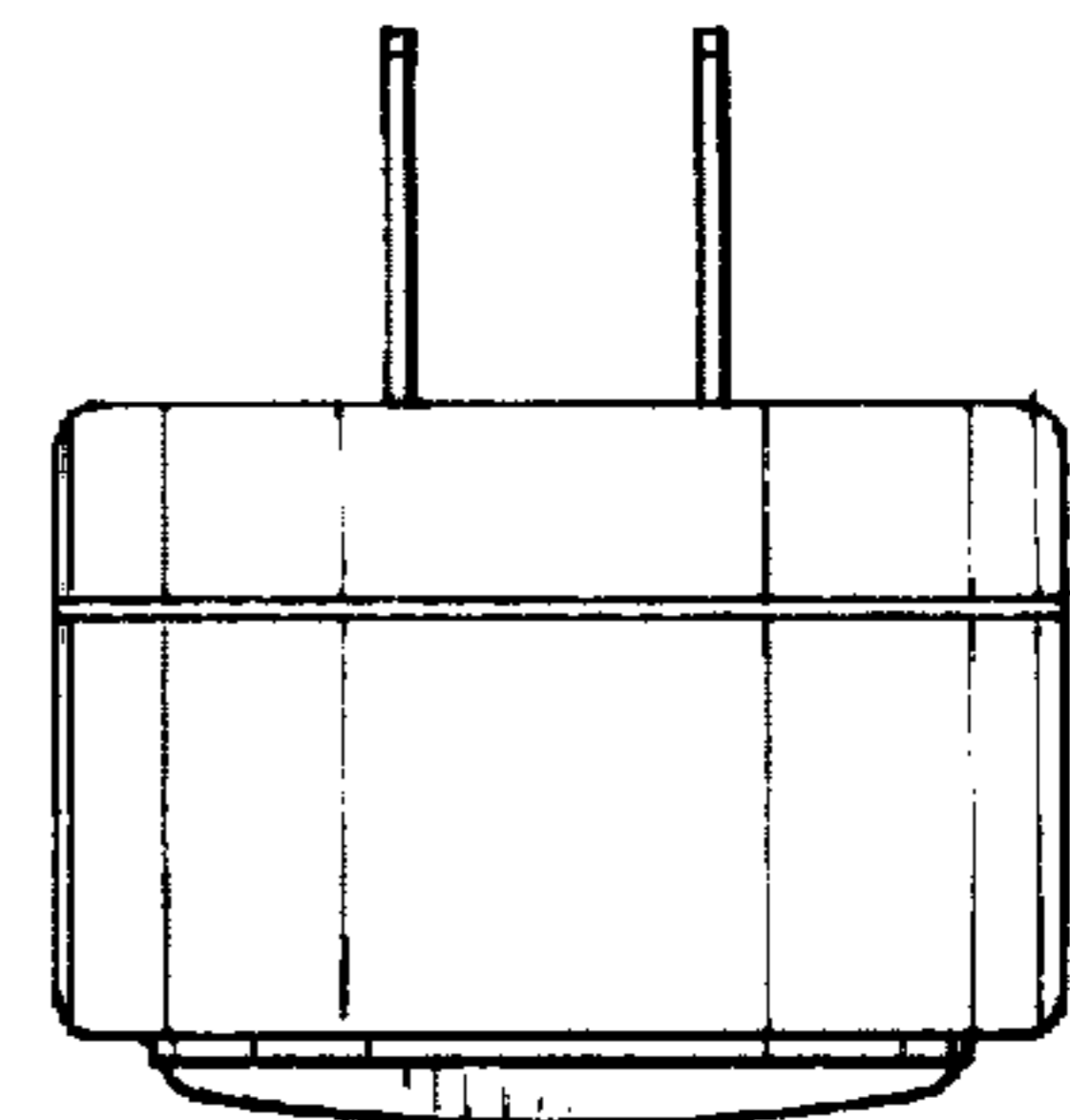


FIG. 6