



US00D397811S

**United States Patent** [19]  
**Vakil**

[11] **Patent Number:** **Des. 397,811**  
[45] **Date of Patent:** **\*\*Sep. 1, 1998**

[54] **FLUORESCENT LIGHT ADAPTOR MODULE**

[75] **Inventor:** **Usman Vakil**, Walnut, Calif.  
[73] **Assignee:** **Lights of America, Inc.**, Walnut, Calif.  
[\*\*] **Term:** **14 Years**  
[21] **Appl. No.:** **56,418**  
[22] **Filed:** **Jun. 28, 1996**

**Related U.S. Application Data**

[63] Continuation of Ser. No. 19,823, Mar. 11, 1994, abandoned.  
[51] **LOC (6) Cl.** ..... **26-04**  
[52] **U.S. Cl.** ..... **D26/3**  
[58] **Field of Search** ..... **D26/1, 2, 3, 4;**  
**313/313-320**

[56] **References Cited**

**U.S. PATENT DOCUMENTS**

|            |         |                |       |       |
|------------|---------|----------------|-------|-------|
| D. 275,948 | 10/1984 | Vakil          | ..... | D26/3 |
| D. 302,861 | 8/1989  | Tayama         | ..... | D26/3 |
| D. 304,030 | 10/1989 | Vakil          | ..... | D26/3 |
| D. 321,502 | 11/1991 | Ilemo          | ..... | D26/3 |
| D. 334,244 | 3/1993  | Shaffer et al. | ..... | D26/3 |

**OTHER PUBLICATIONS**

Applicant's Prior Art Dated Jun. 28, 1996.  
*Primary Examiner*—Marcus A. Jackson  
*Attorney, Agent, or Firm*—Graham & James LLP

[57] **CLAIM**

The ornamental design for a fluorescent light adaptor module, as shown and described.

**DESCRIPTION**

FIG. 1 is an exploded perspective view of a fluorescent light adaptor module showing my new design, with the broken line showing for illustrative purposes only and forming no part of the claimed design;  
FIG. 2 is a side elevational view thereof, with the opposite side being a mirror image;  
FIG. 3 is a top plan view of the adaptor thereof, omitted for clarity of illustration only;  
FIG. 4 is a side elevational view thereof, with the opposite side being a mirror image;  
FIG. 5 is a bottom plan view thereof;  
FIG. 6 is a bottom plan view of the electrical connector thereof, with the adaptor omitted for clarity of illustration only; and,  
FIG. 7 is a bottom plan view of the adaptor thereof.

**1 Claim, 2 Drawing Sheets**

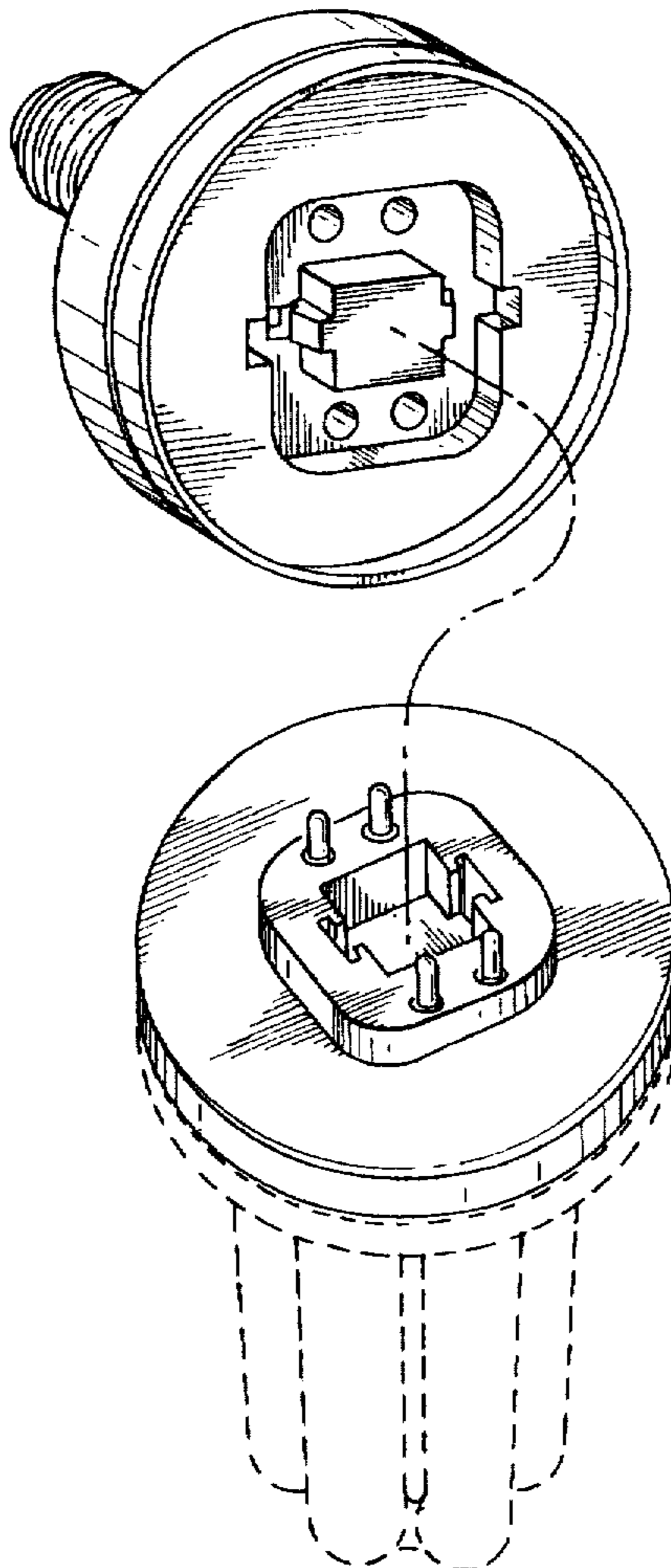


FIG. 1

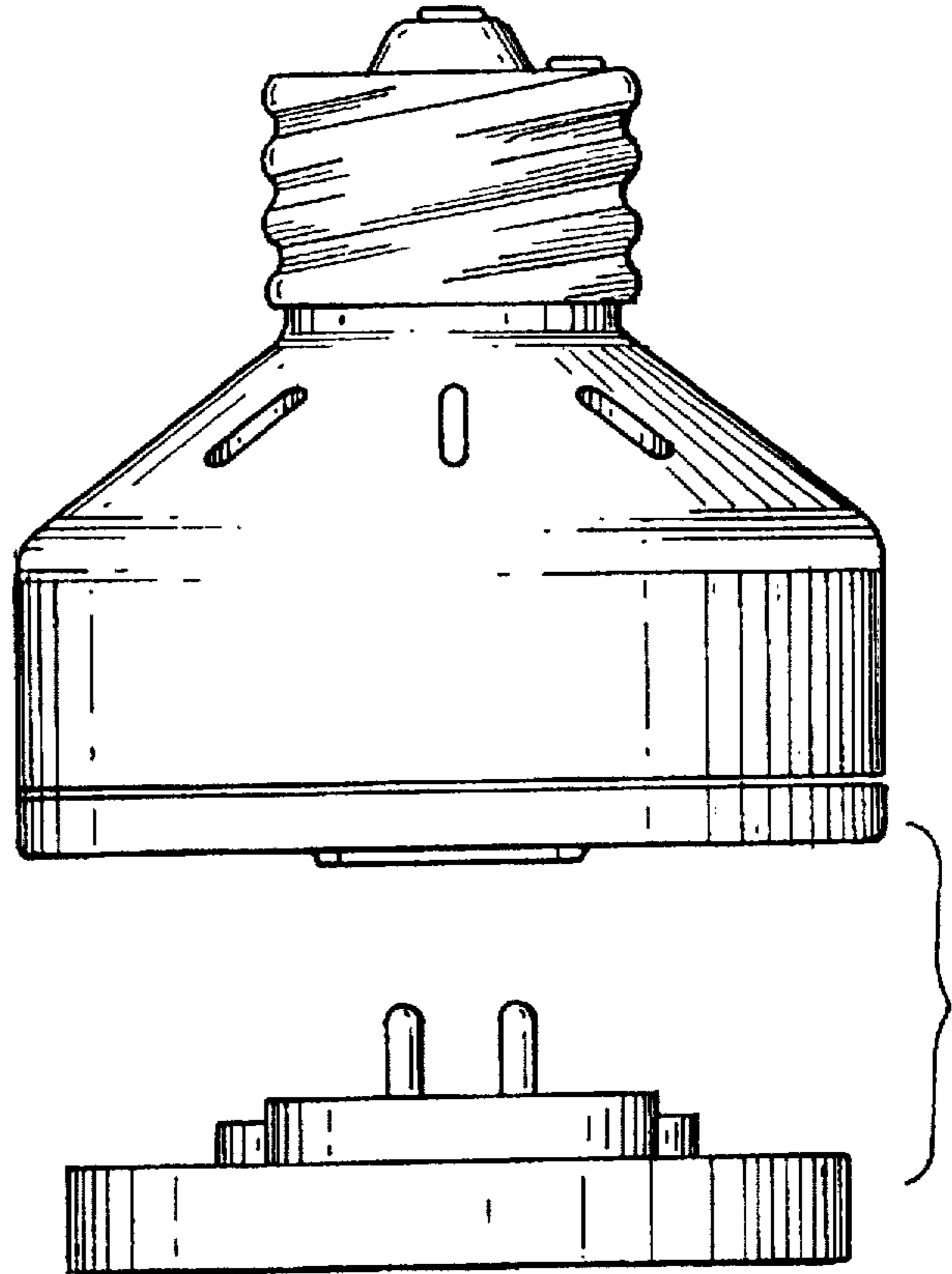
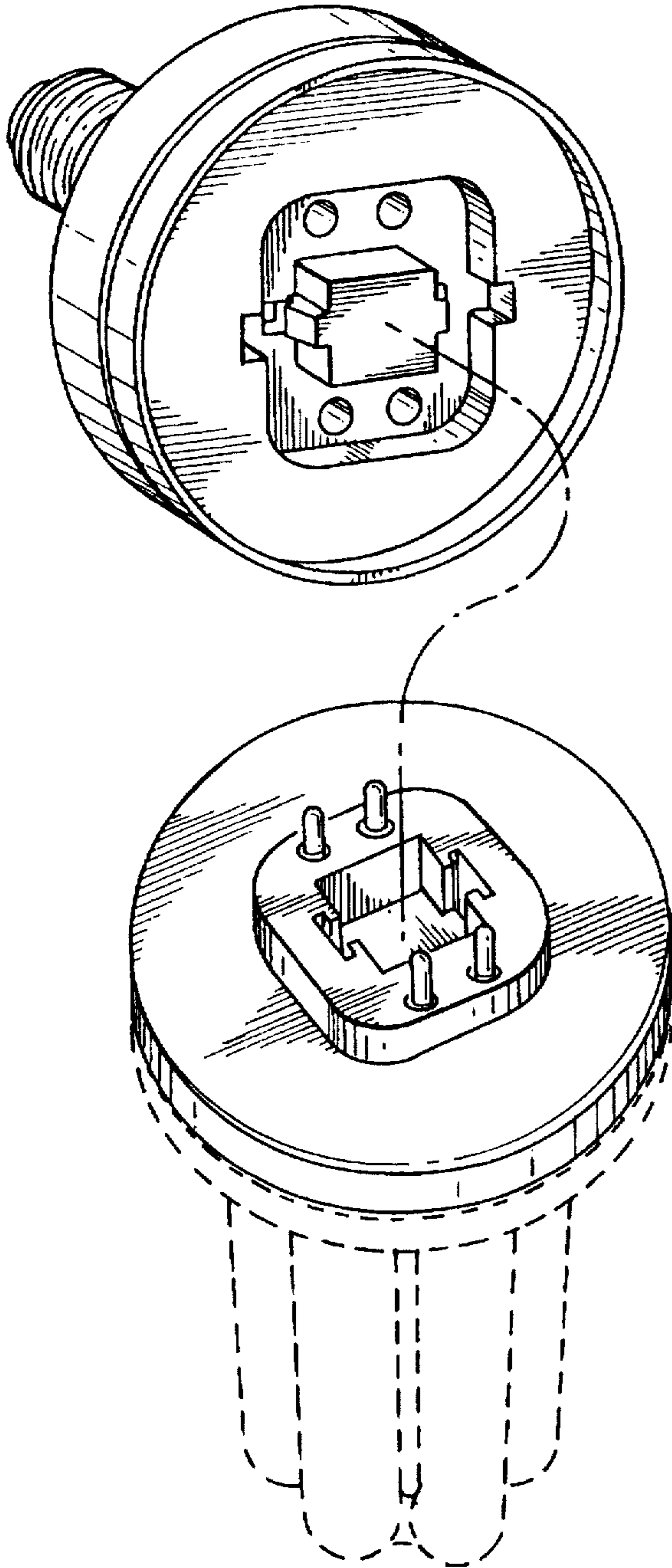


FIG. 2

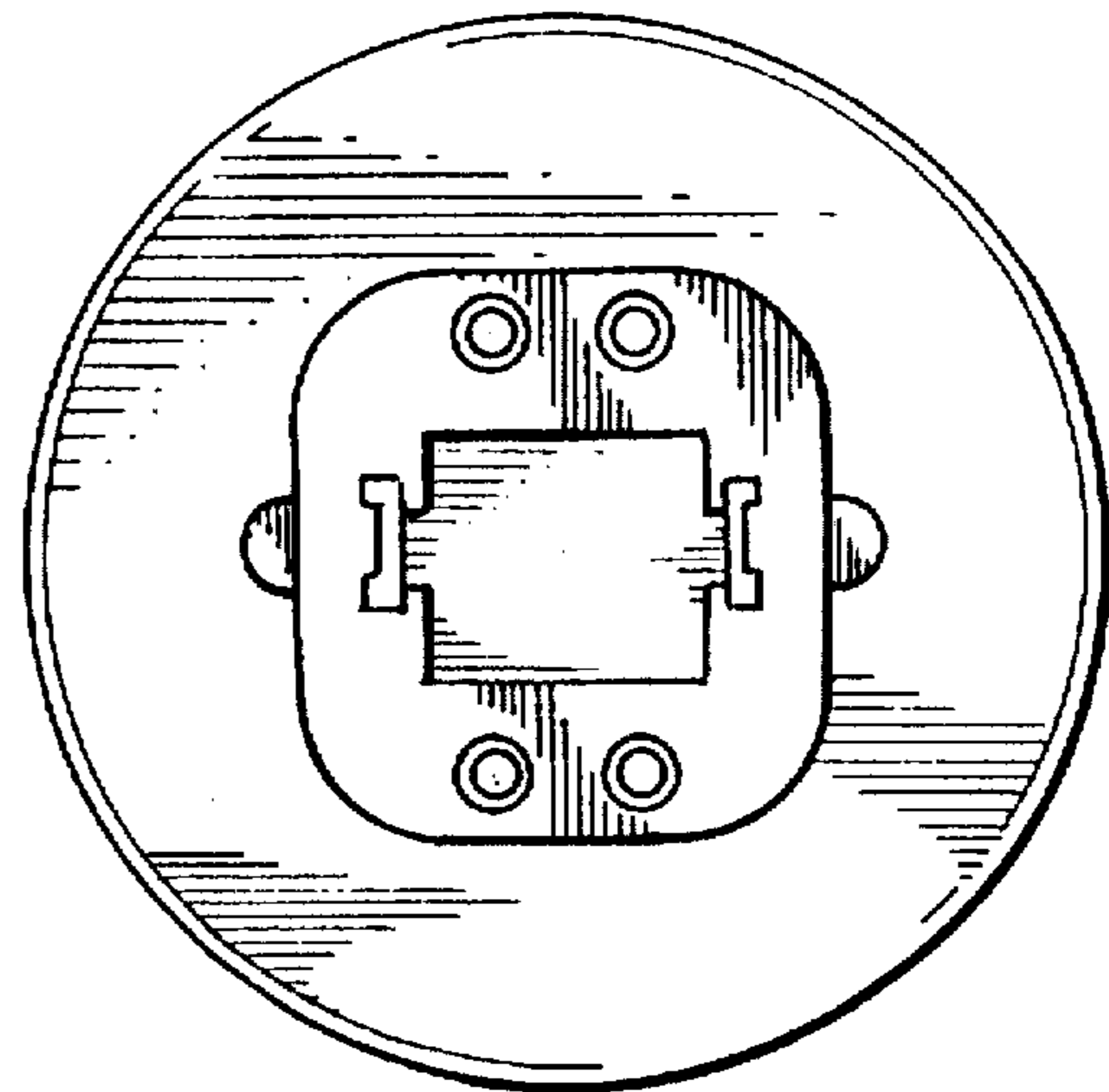


FIG. 3

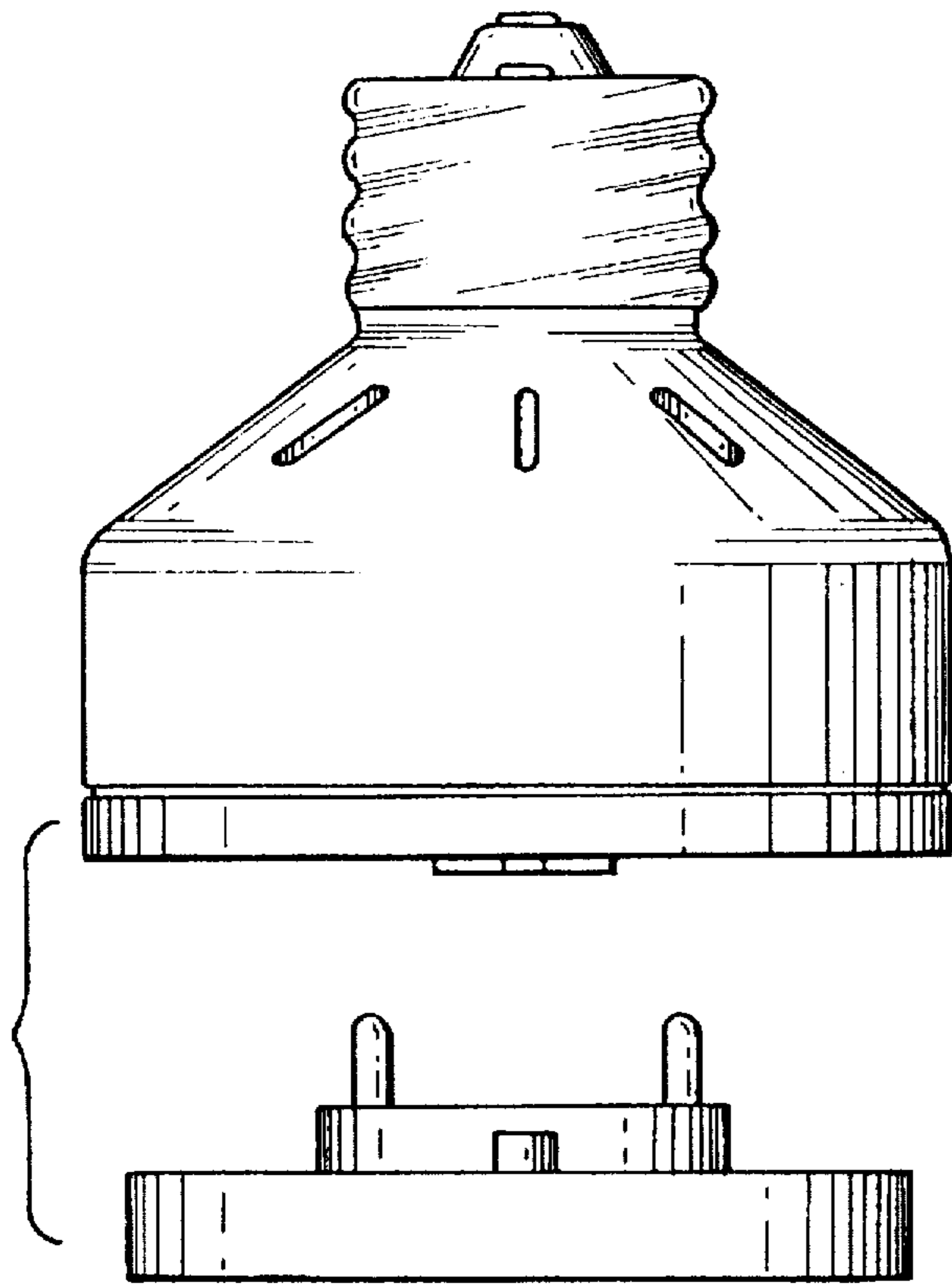


FIG. 4

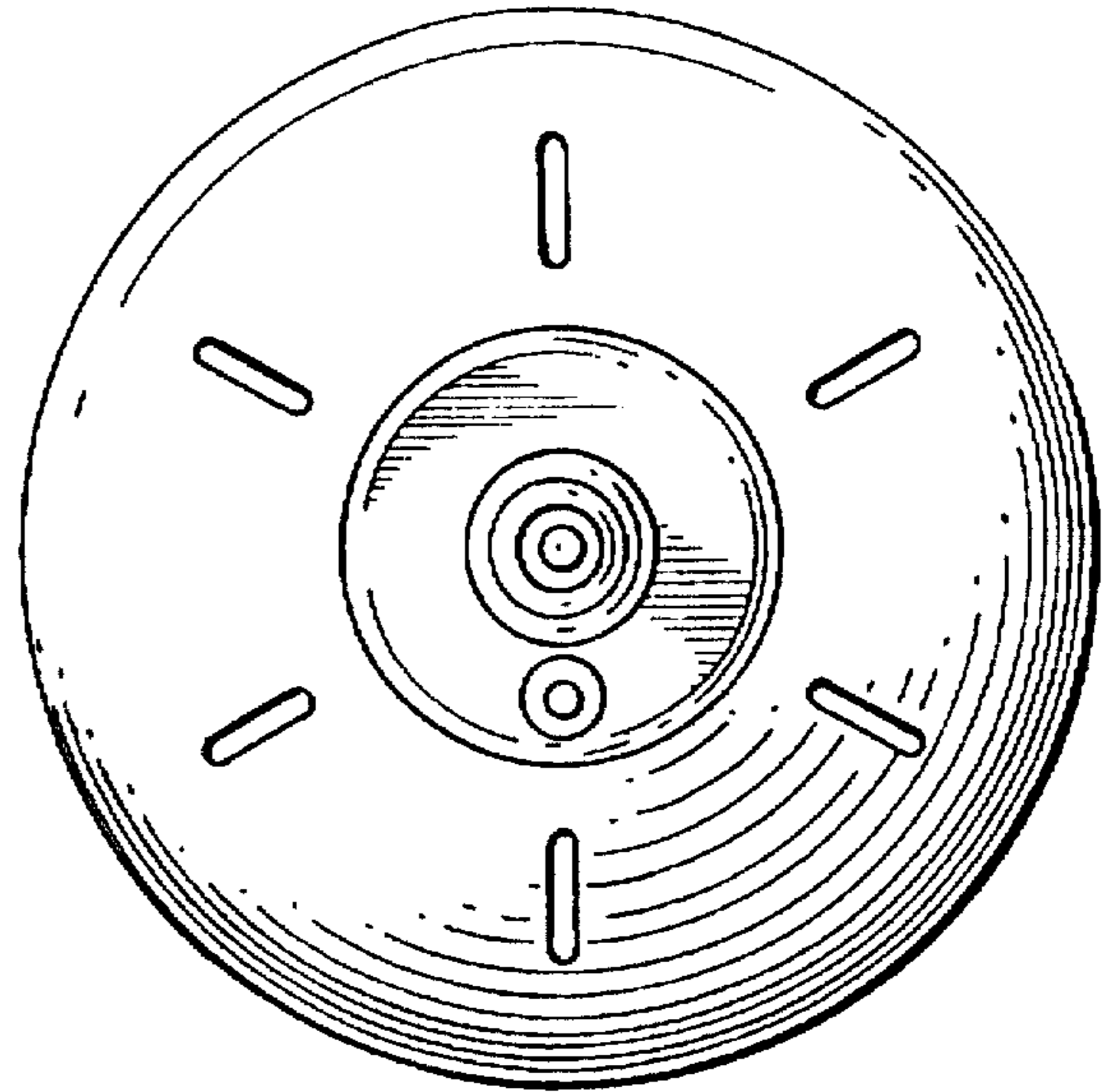


FIG. 5

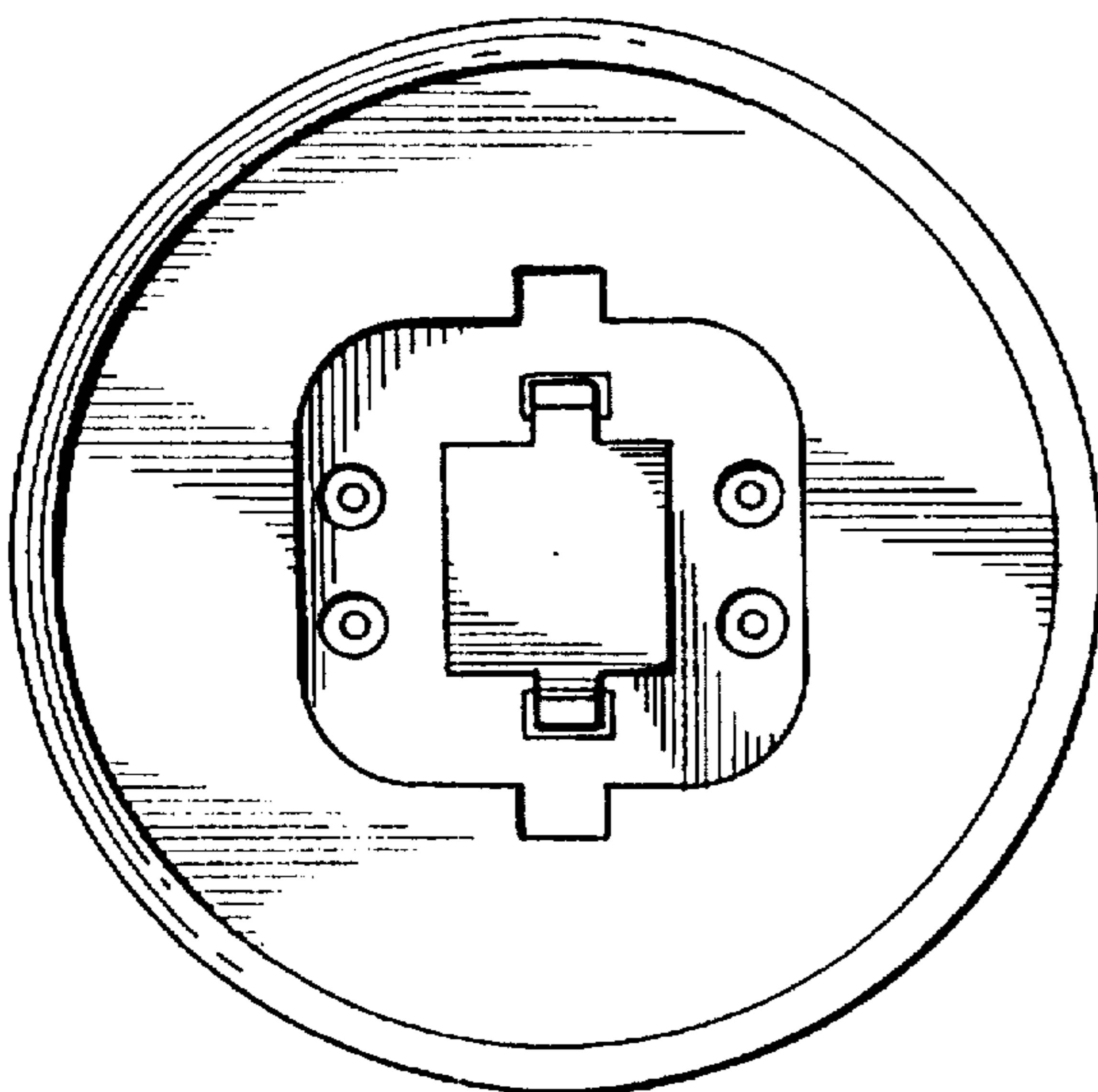


FIG. 6

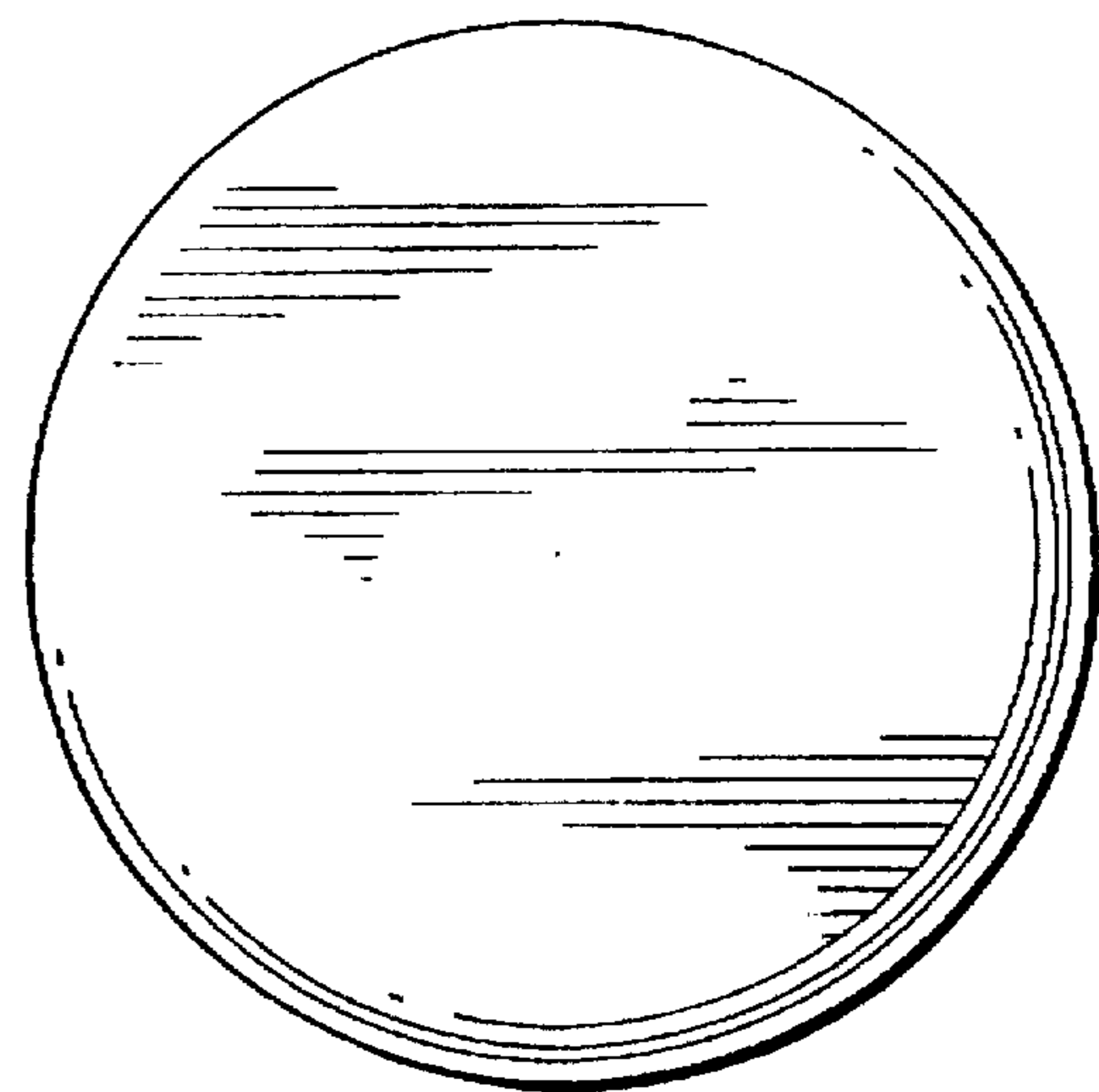


FIG. 7