



US00D397810S

United States Patent [19]

[11] Patent Number: **Des. 397,810**

Basset

[45] Date of Patent: ****Sep. 1, 1998**

[54] FLASHING

Primary Examiner—Doris Clark
Attorney, Agent, or Firm—Harry I. Leon

[76] Inventor: **Brendra Joyce Basset**, 2399 Hopewell Rd., Lizella, Ga. 31052

[57] **CLAIM**

[**] Term: **14 Years**

The ornamental design for a flashing, as shown and described.

[21] Appl. No.: **65,514**

DESCRIPTION

[22] Filed: **Jan. 27, 1997**

FIG. 1 is a top, right side perspective view of a flashing showing the design;

[51] LOC (6) Cl. **25-99**

FIG. 2 is an end view thereof, the broken-line disclosure of a roof structure being shown for illustration purposes only and forming no part of the claimed design;

[52] U.S. Cl. **D25/199**

FIG. 3 is a top plan view thereof;

[58] Field of Search D25/199; 52/58, 52/60-62

FIG. 4 is a bottom view thereof;

[56] **References Cited**

FIG. 5 is a front elevational view thereof; and,

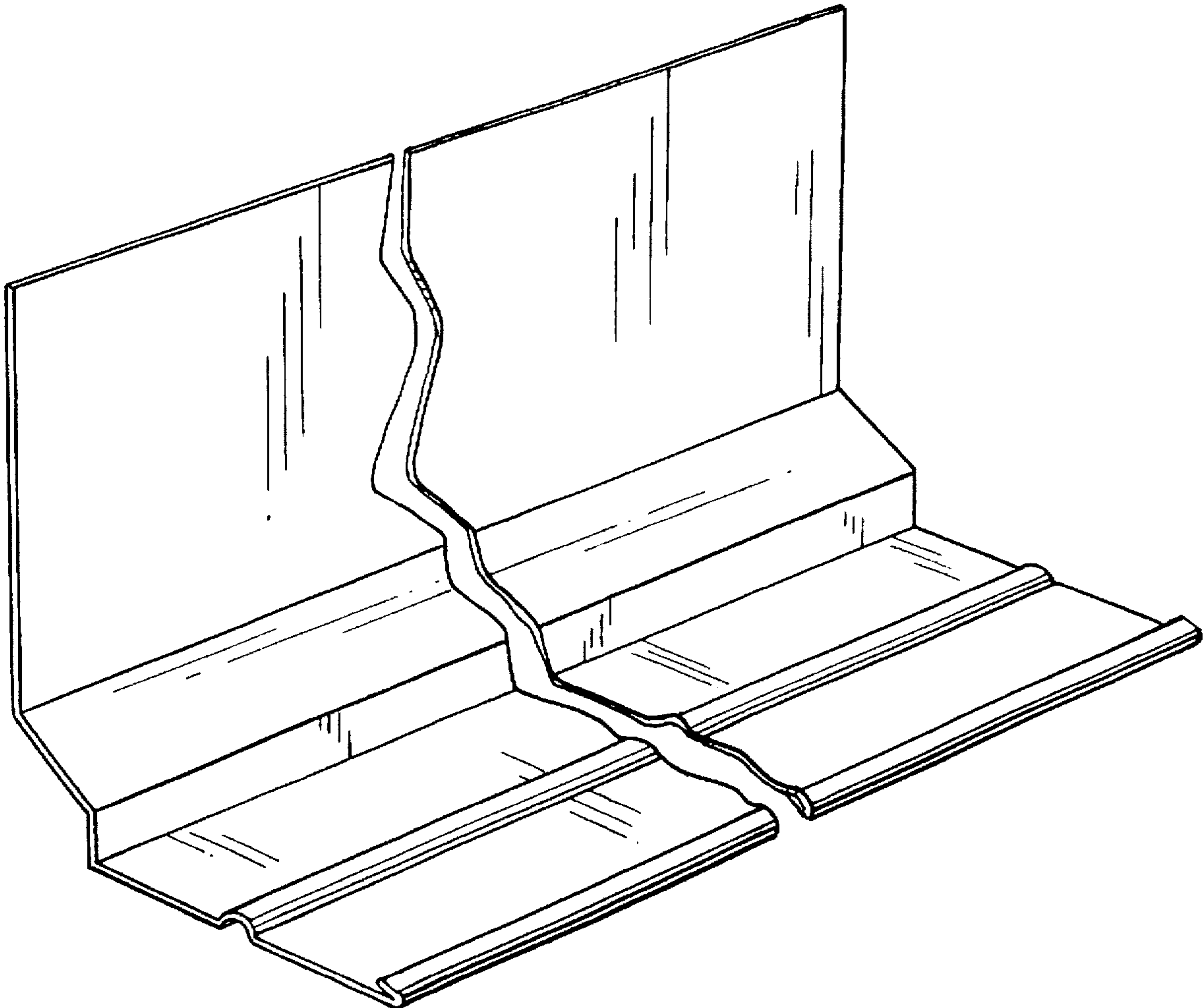
U.S. PATENT DOCUMENTS

FIG. 6 is a rear elevational view thereof.

D. 370,274	5/1996	Menzies	D25/199
4,241,549	12/1980	Hall, III et al.	52/60
4,951,431	8/1990	Sweers	52/60
5,381,632	1/1995	Damron	52/62

The flashing has been broken in the center to disclose indefinite length.

1 Claim, 2 Drawing Sheets



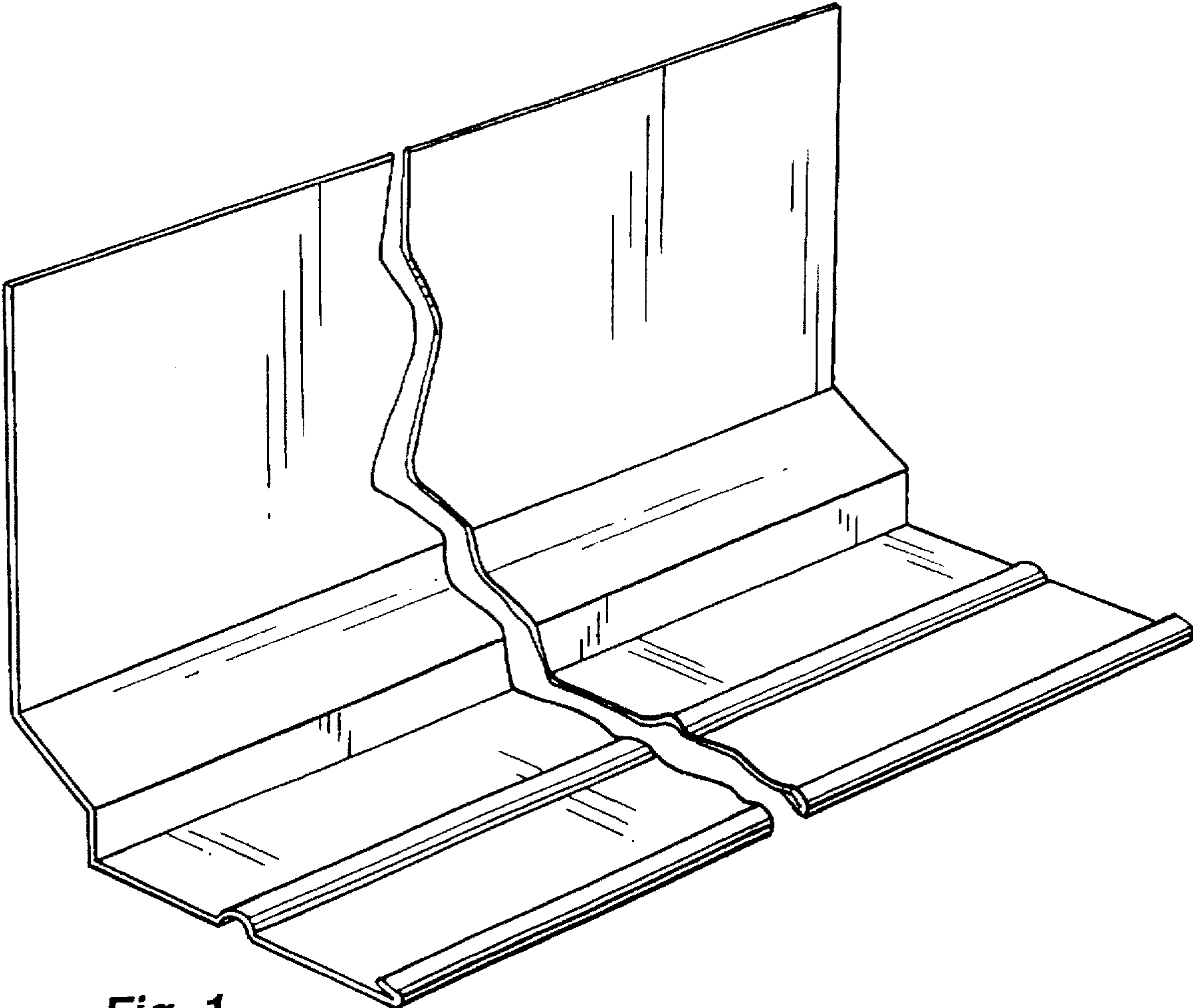


Fig. 1.

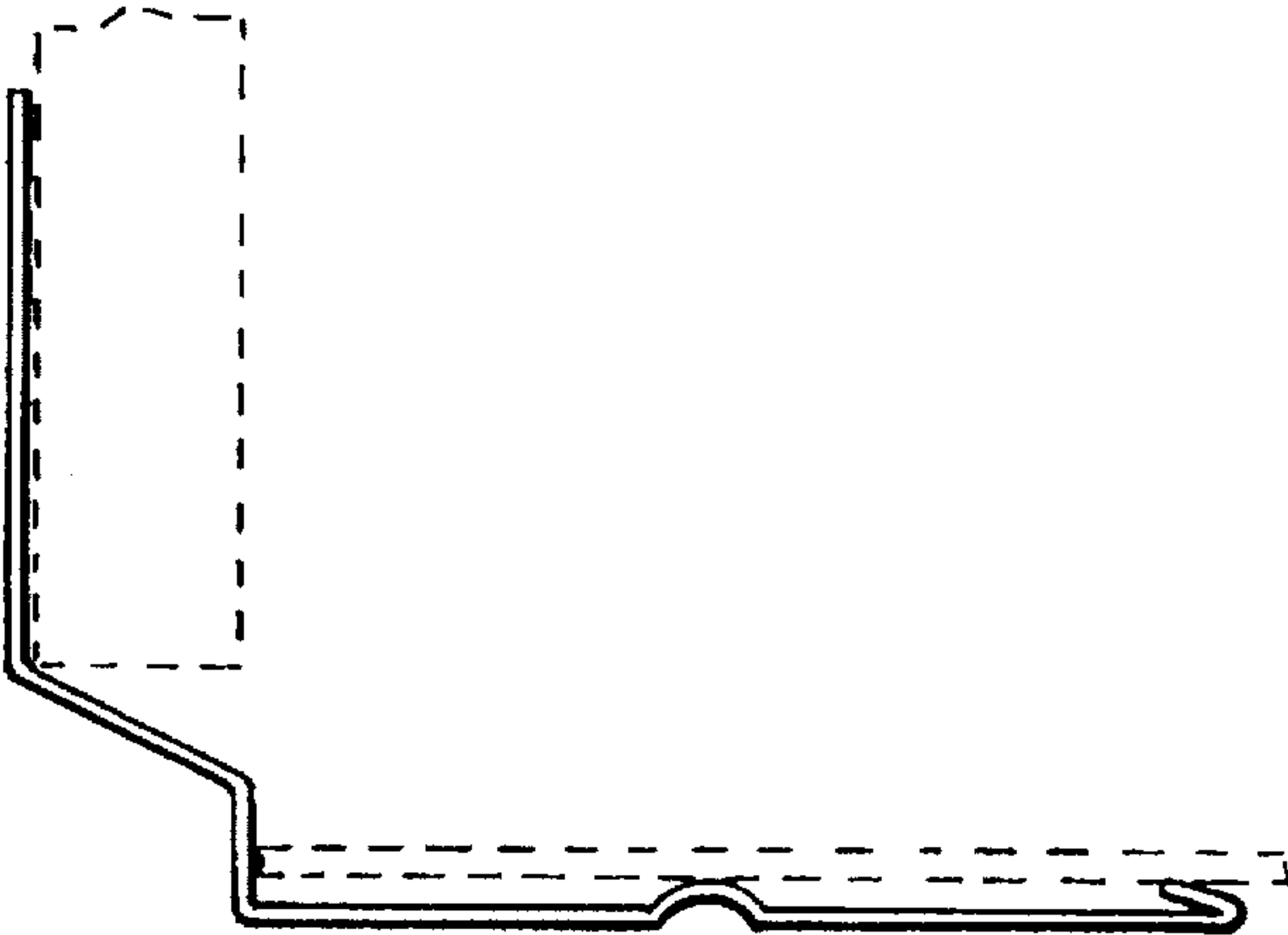


Fig. 2.

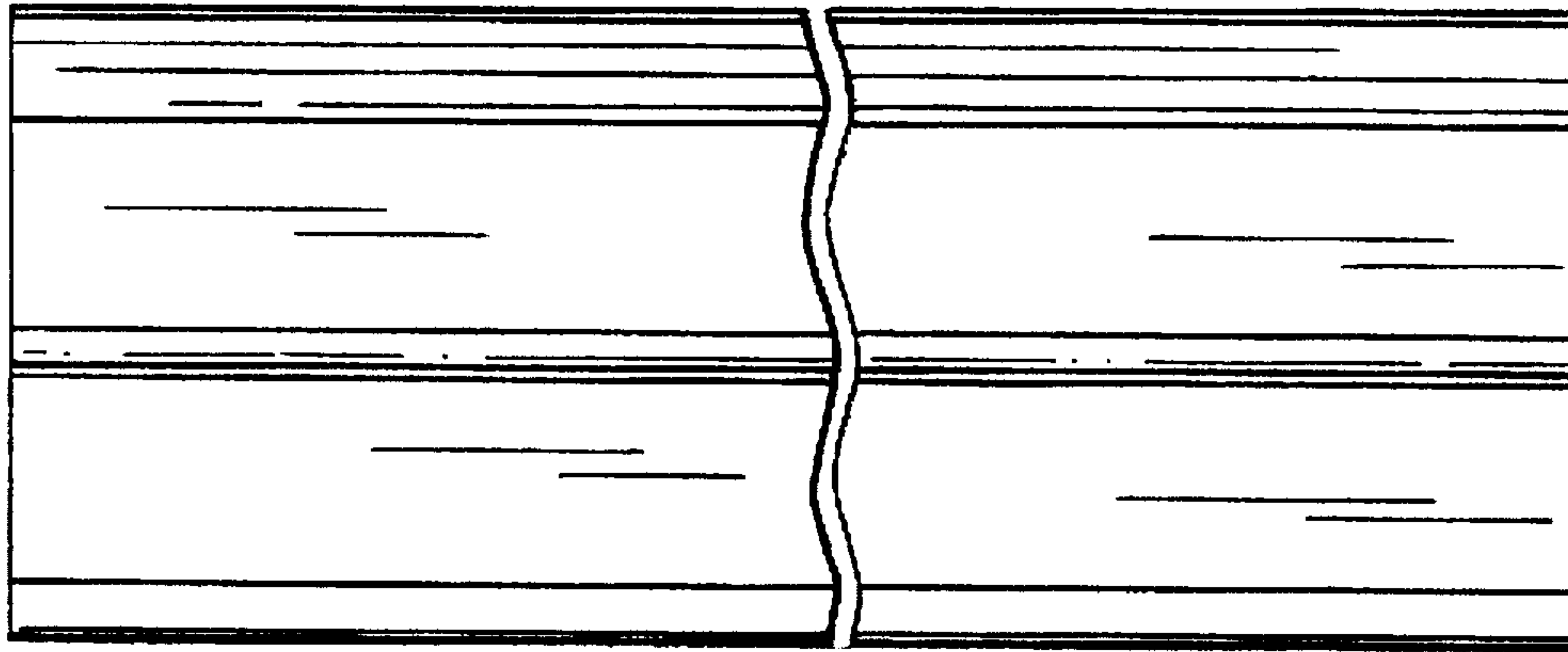


FIG. 3.

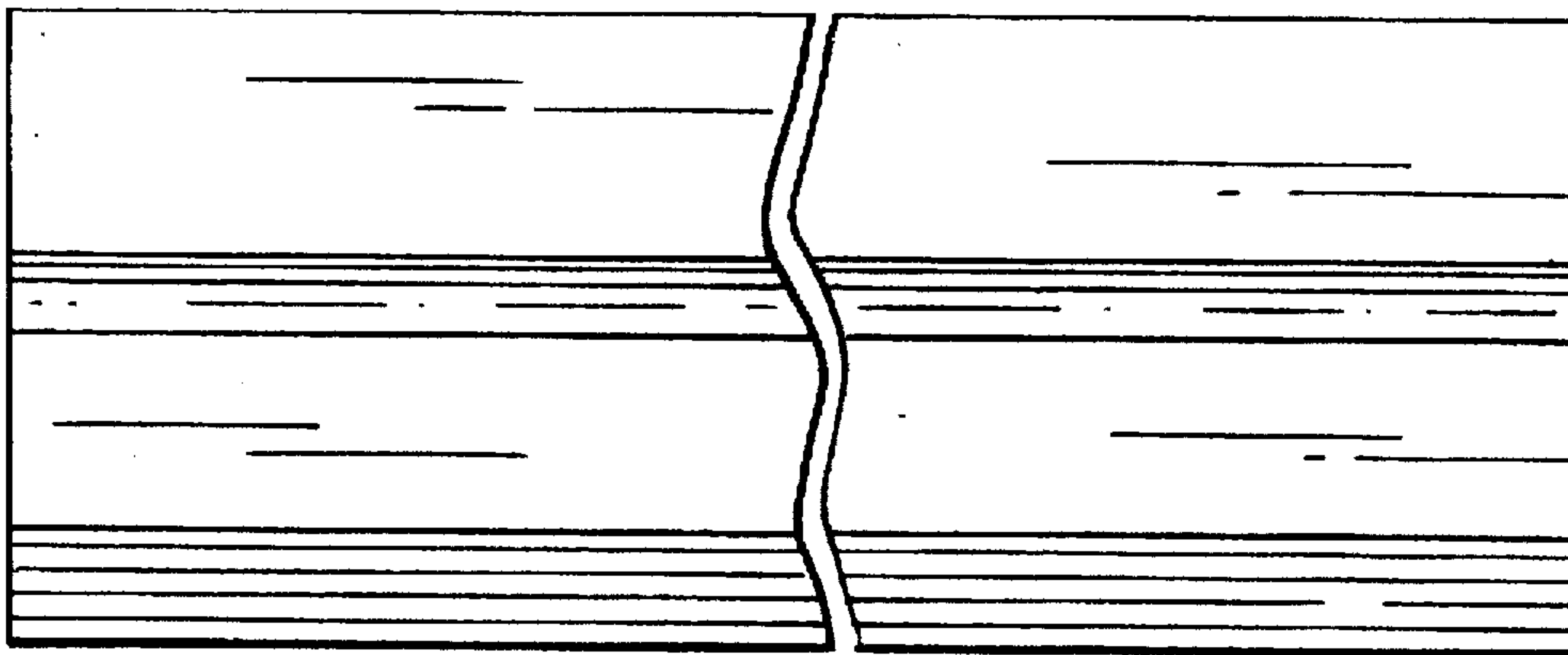


FIG. 4.

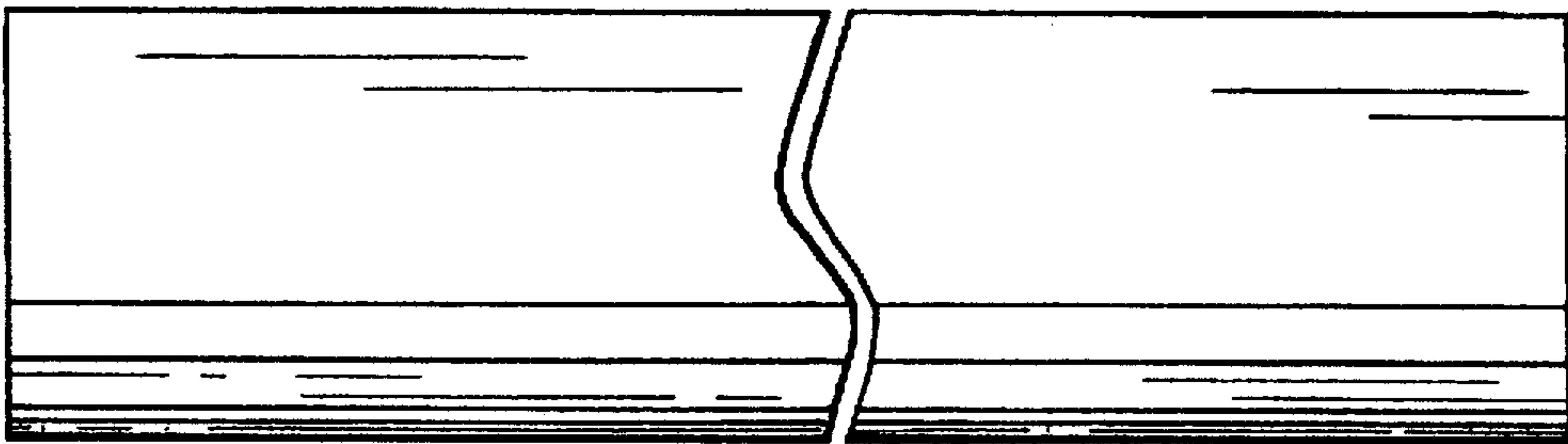


FIG. 5.

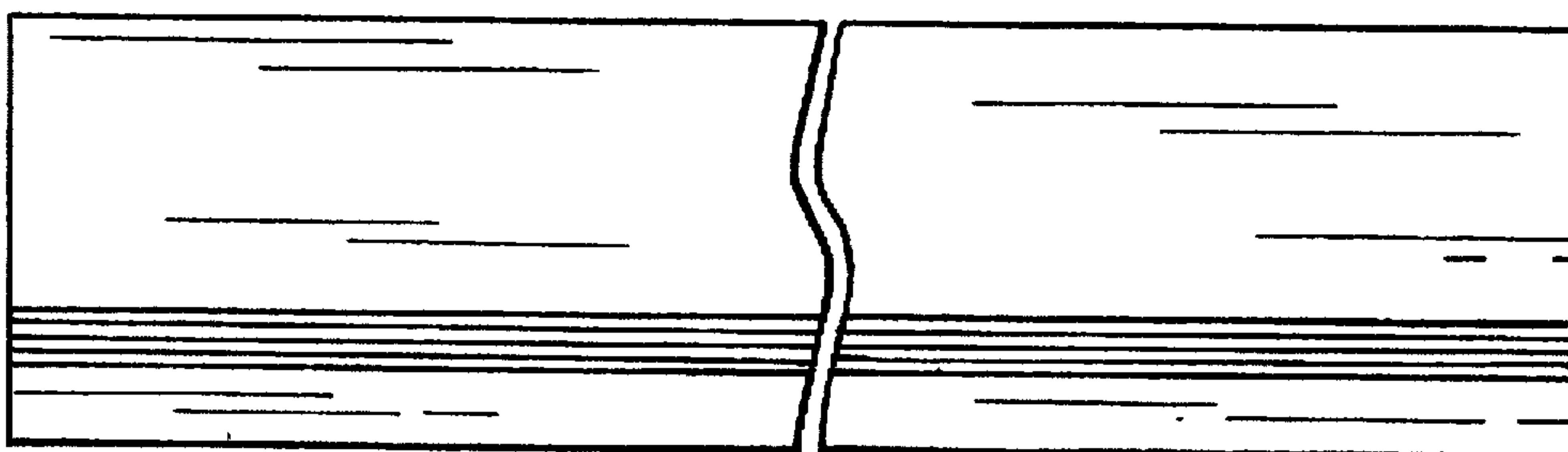


FIG. 6.