



US00D397808S

United States Patent [19]
Dawson

[11] **Patent Number:** **Des. 397,808**
[45] **Date of Patent:** ****Sep. 1, 1998**

[54] **LANDSCAPING BLOCK**

[75] **Inventor:** **William B. Dawson**, Maple Grove, Minn.

[73] **Assignee:** **Keystone Retaining Wall Systems, Inc.**, Bloomington, Minn.

[**] **Term:** **14 Years**

[21] **Appl. No.:** **41,812**

[22] **Filed:** **Jul. 25, 1995**

[51] **LOC (6) Cl.** **25-01**

[52] **U.S. Cl.** **D25/164; D25/113**

[58] **Field of Search** **D25/113-118, D25/164; D21/108; 52/102, 604, 605, 606, 596**

[56] **References Cited**

U.S. PATENT DOCUMENTS

D. 25,334	3/1896	Schwechler	D25/113
D. 301,063	5/1989	Risi et al.	D25/113
D. 313,280	12/1990	Rodenburgh et al.	D25/113
D. 315,026	2/1991	Castonguay et al.	.	
1,677,829	7/1928	Jack	.	
1,746,169	2/1930	Swanson	404/33
2,196,552	4/1940	Garloff	.	
2,471,226	5/1949	Maccario	.	
2,484,062	10/1949	Abbott	D25/113
2,550,945	5/1951	Steinhage et al.	.	
3,025,641	3/1962	Ahtiainen	D25/113
3,354,592	11/1967	Curci	.	
4,281,473	8/1981	Emalfarb et al.	.	
4,314,431	2/1982	Rabassa	.	
4,644,685	2/1987	Tisbo et al.	.	
4,802,320	2/1989	Forsberg	.	
4,971,475	11/1990	Castonguay et al.	.	
5,092,076	3/1992	Terreta	.	
5,134,817	8/1992	Richardt	.	
5,139,721	8/1992	Castonguay et al.	.	
5,261,760	11/1993	Castonguay et al.	.	
5,442,877	8/1995	Lindhall	52/102

Primary Examiner—Raphael Barkai
Attorney, Agent, or Firm—Popovich & Wiles, P.A.

[57] **CLAIM**

The ornamental design for a landscaping block, as shown and described.

DESCRIPTION

FIG. 1 is a perspective view of a first embodiment of a landscaping block according to my new design;
 FIG. 2 is a top plan view of FIG. 1;
 FIG. 3 is a front elevational view of FIG. 1;
 FIG. 4 is a rear elevational view of FIG. 1;
 FIG. 5 is a bottom plan view of FIG. 1;
 FIG. 6 is a right end elevational view of FIG. 1, the left end elevational view being identical;
 FIG. 7 is a perspective view of a row of the landscaping block of FIG. 1 arranged end to end to form a straight row;
 FIG. 8 is a top plan view of FIG. 7;
 FIG. 9 is a perspective view of the landscaping block of FIG. 1 with roughened upper surface modification;
 FIG. 10 is a top plan view of FIG. 9;
 FIG. 11 is a front elevational view of FIG. 9;
 FIG. 12 is a rear elevational view of FIG. 9;
 FIG. 13 is a bottom plan view of FIG. 9;
 FIG. 14 is right end elevational view of FIG. 9, the left end elevational view being identical;
 FIG. 15 is a perspective view of a row of landscaping blocks of FIG. 9 arranged end to end;
 FIG. 16 is a top plan view of FIG. 15;
 FIG. 17 is a perspective view of the landscaping block of FIG. 1 with acute angled left end modification;
 FIG. 18 is a top plan view of FIG. 17;
 FIG. 19 is a front elevation view of FIG. 17;
 FIG. 20 is a rear elevational view of FIG. 17;
 FIG. 21 is a bottom plan view of FIG. 17;
 FIG. 22 is a right end elevational view of FIG. 17, the left end elevational view being identical;
 FIG. 23 is a perspective view of a row of the landscaping block of FIG. 17 arranged end to end to form a straight row;
 FIG. 24 is a top plan view of FIG. 23;
 FIG. 25 is a perspective view of a row of the landscaping block of FIG. 17 arranged end to end to form a curved row;
 FIG. 26 is a top plan view of FIG. 25;
 FIG. 27 is a top plan view of a row of landscaping blocks of FIG. 17 arranged end to end to form a circular row;

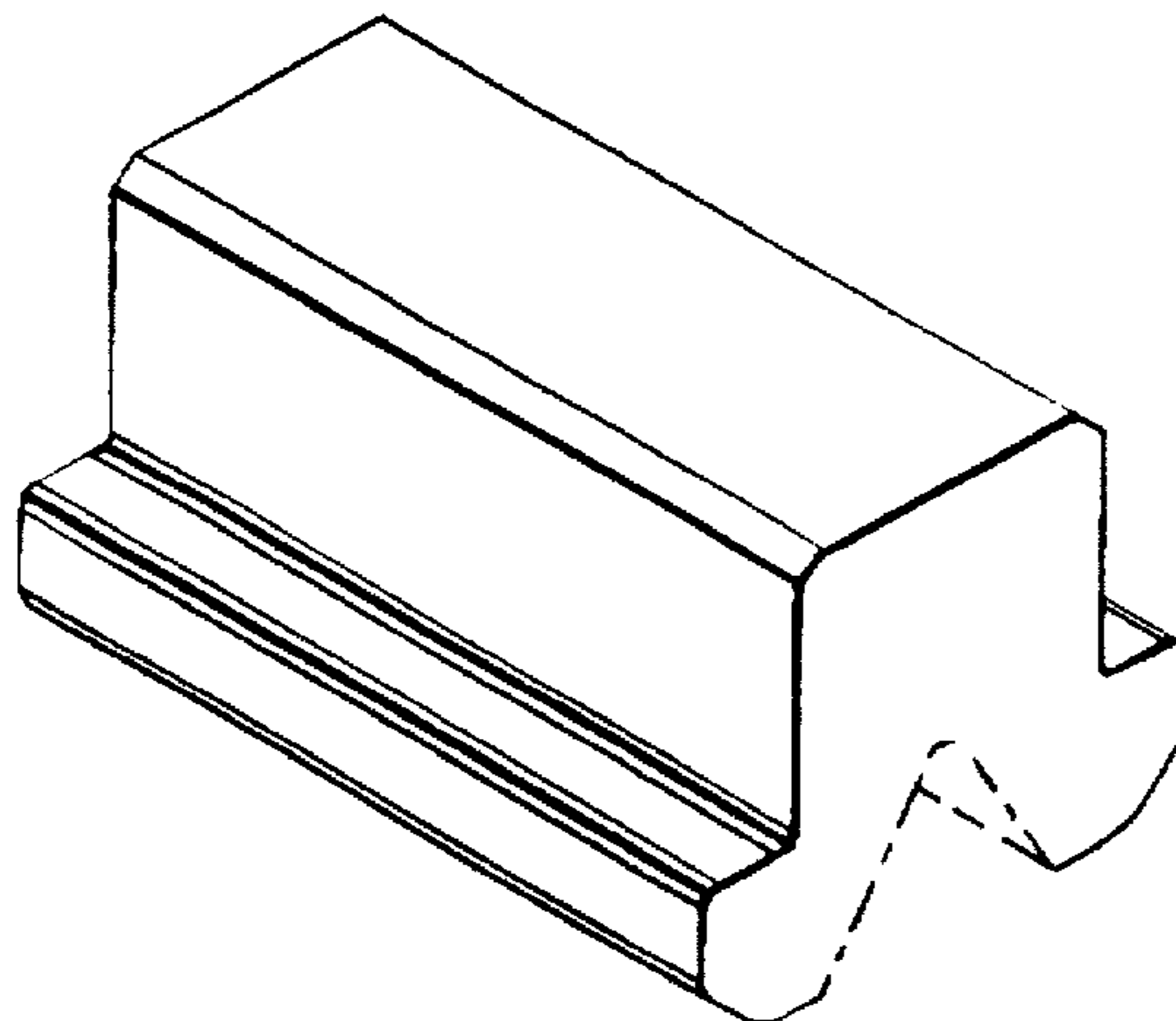


FIG. 28 is a perspective view of the landscaping block of FIG. 1 with acute angled left end modification and roughened upper surface modification;
FIG. 29 is a top plan view of FIG. 28;
FIG. 30 is a front elevational view of FIG. 28;
FIG. 31 is a rear elevational view of FIG. 28;
FIG. 32 is a bottom plan view of FIG. 28;
FIG. 33 is a right end elevational view of FIG. 28, the left end elevational view being identical;
FIG. 34 is a perspective view of a row of the landscaping block of FIG. 28 arranged end to end to form a straight row;
FIG. 35 is a top plan view of FIG. 34;
FIG. 36 is a perspective view of a row of the landscaping block of FIG. 28 arranged end to end to form a curved row;
FIG. 37 is a top plan view of FIG. 36;
FIG. 38 is a top plan view of a row of landscaping block of FIG. 28 arranged end to end to form a circular row;
FIG. 39 is a perspective view of the landscaping block of FIG. 1 with obtuse angled left end modification;
FIG. 40 is a top plan view of FIG. 39;
FIG. 41 is a front elevational view of FIG. 39;
FIG. 42 is a rear elevational view of FIG. 39;
FIG. 43 is a bottom plan view of FIG. 39;
FIG. 44 is a right end elevational view of FIG. 39, the left end elevational view being identical;
FIG. 45 is a perspective view of a row of the landscaping block of FIG. 39 arranged end to end to form a straight row;
FIG. 46 is a top plan view of FIG. 45;
FIG. 47 is a perspective view of a row of landscaping block of FIG. 39 arranged end to end to form a curved row;
FIG. 48 is a top plan view of FIG. 47;

FIG. 49 is a top plan view of a row of landscaping block of FIG. 39 arranged end to end to form a circular row;
FIG. 50 is a perspective view of the landscaping of FIG. 1 with obtuse angle left end modification and roughened upper surface modification;
FIG. 51 is a top plan view of FIG. 50;
FIG. 52 is a front elevational view of FIG. 50;
FIG. 53 is a rear elevational view of FIG. 50;
FIG. 54 is a bottom plan view of FIG. 50;
FIG. 55 is a right end elevational view of FIG. 50, the left end elevational view being identical;
FIG. 56 is a perspective view of a row of the landscaping block of FIG. 50 arranged end to end to form a straight row;
FIG. 57 is a top plan view of FIG. 56;
FIG. 58 is a row of the landscaping block of FIG. 50 arranged end to end to form a curved row;
FIG. 59 is a top plan view of FIG. 58;
FIG. 60 is a top plan view of a row of landscaping block of FIG. 50 arranged end to end to form a circular row;
FIG. 61 is a perspective view of a row of landscaping block of FIG. 17 and FIG. 39 arranged end to end to form an S-shaped row;
FIG. 62 is a top plan view of FIG. 61;
FIG. 63 is a perspective view of a row of landscaping block of FIG. 28 and FIG. 50 arranged end to end to form an S-shaped row; and,
FIG. 64 is a top plan view of FIG. 63.
The broken lines are for illustrative purposes only and form no part of the claimed design.

1 Claim, 22 Drawing Sheets

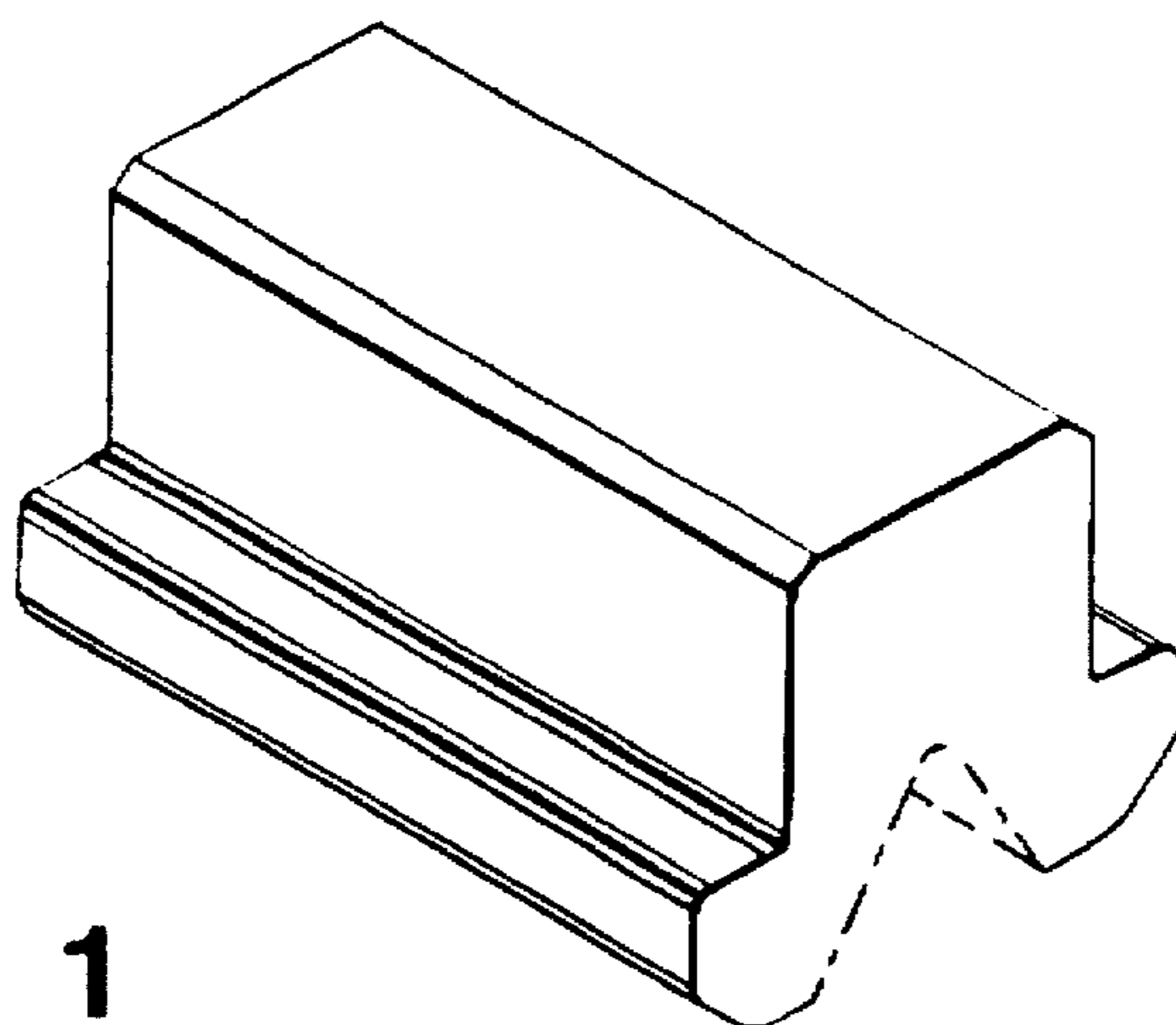


FIG. 1

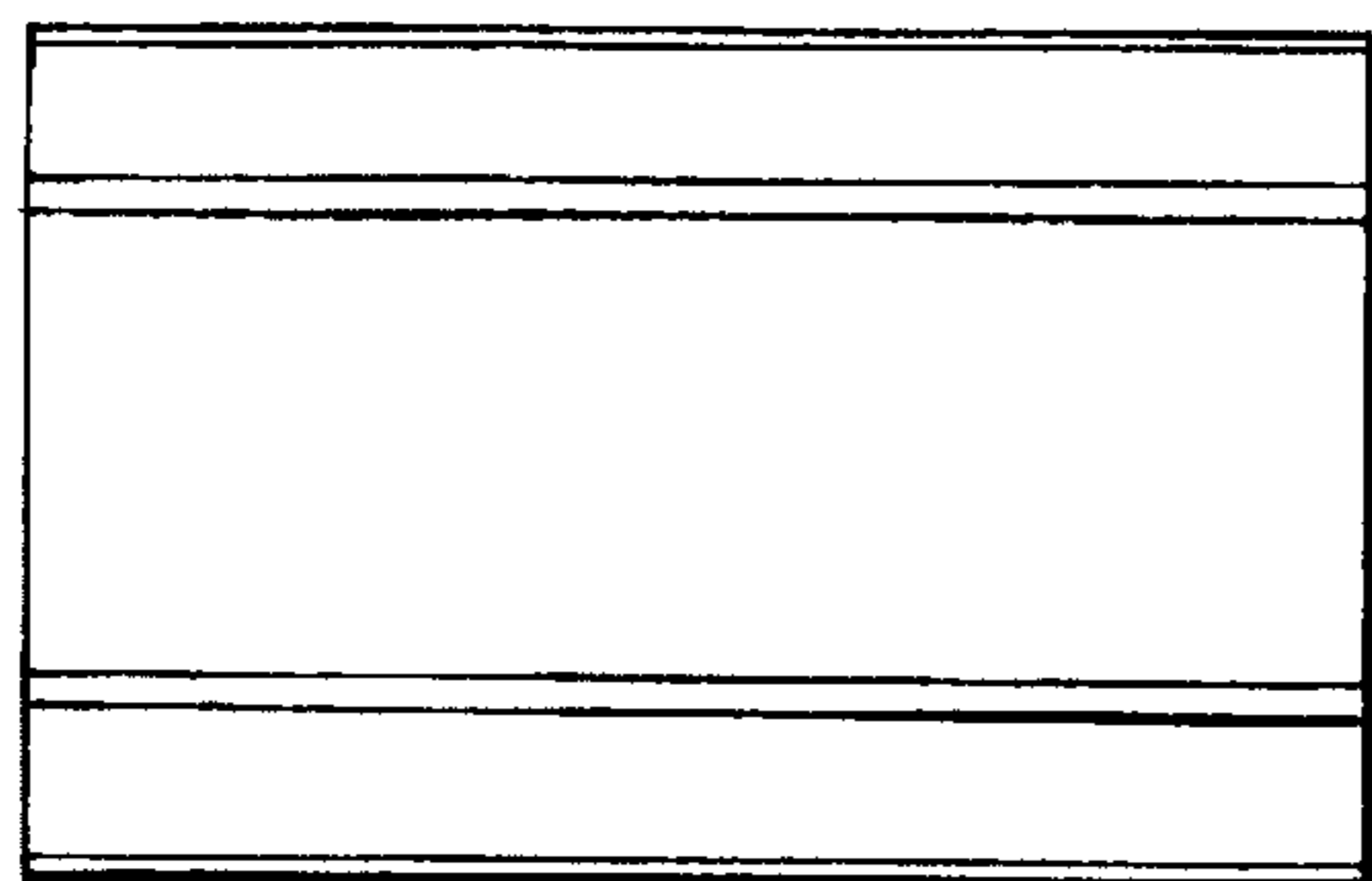


FIG. 2

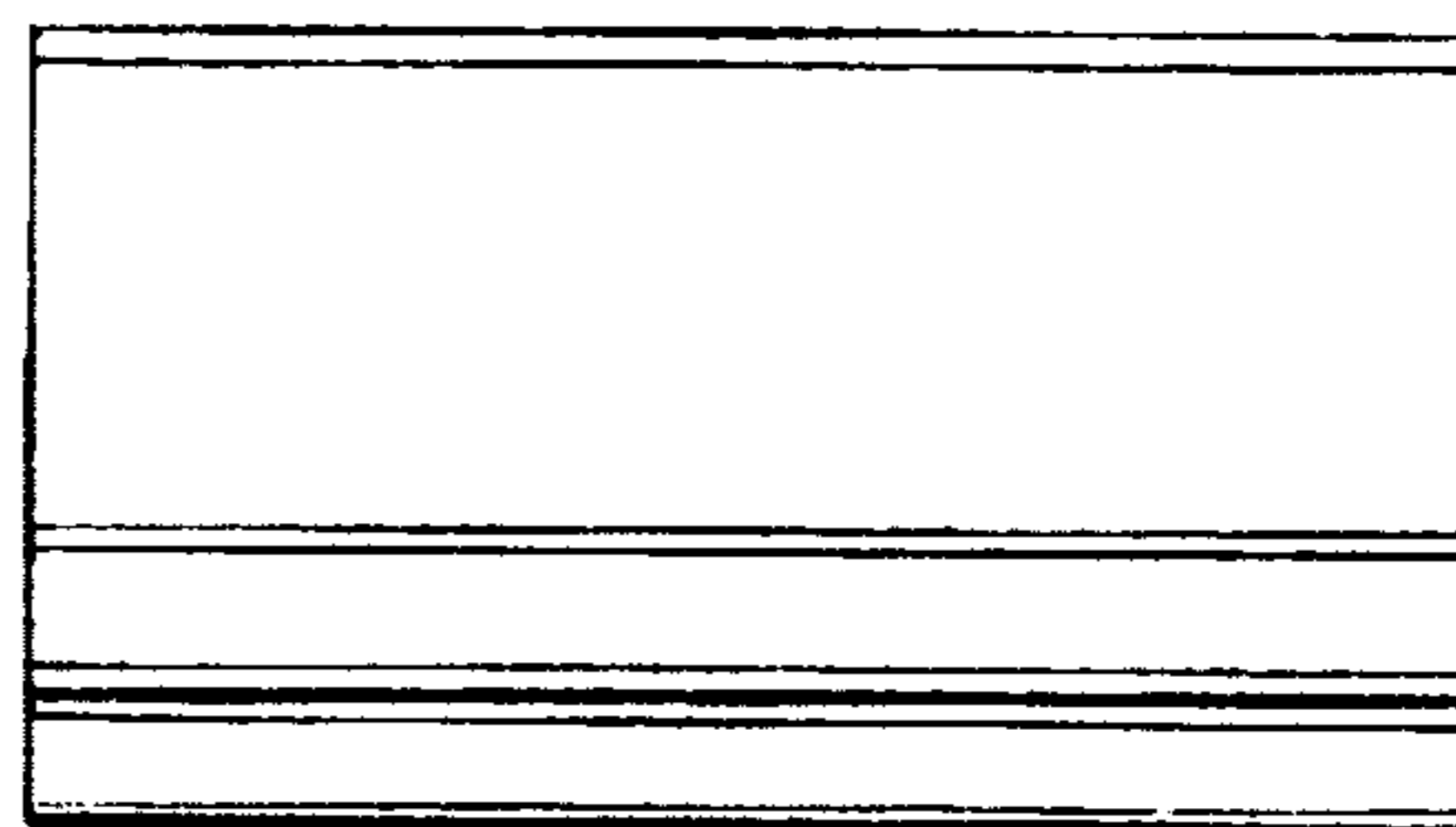


FIG. 4

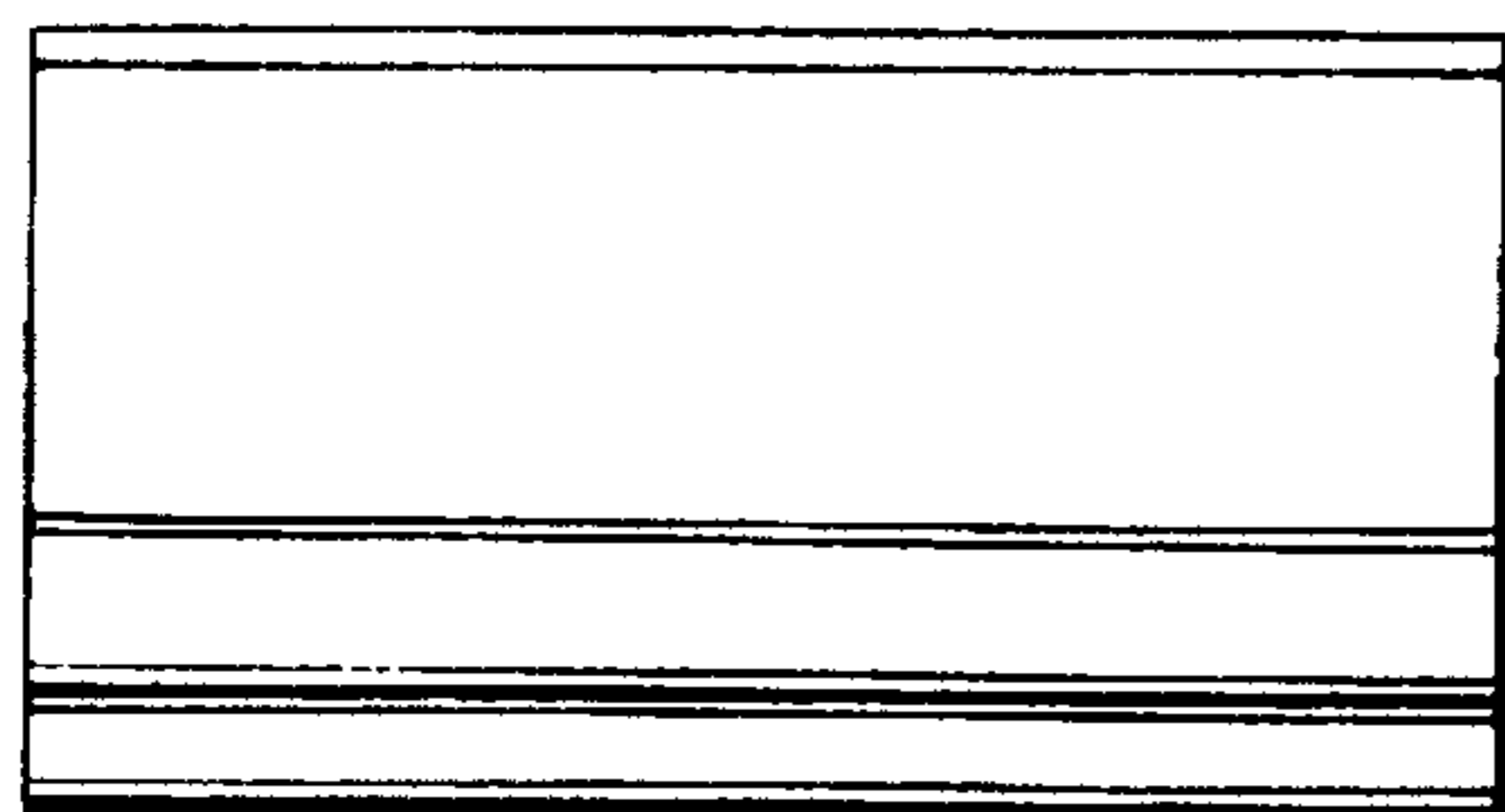


FIG. 3

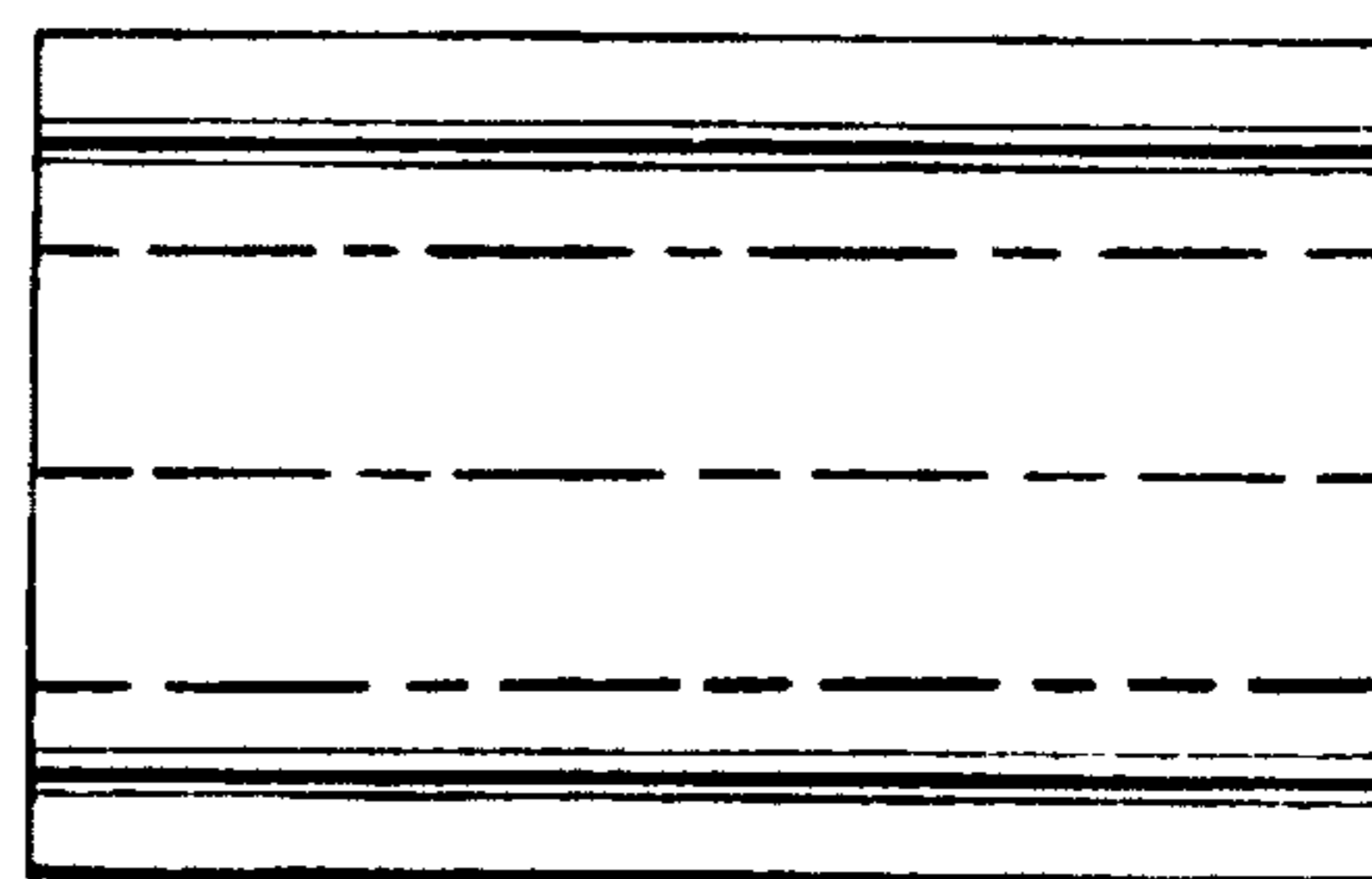


FIG. 5

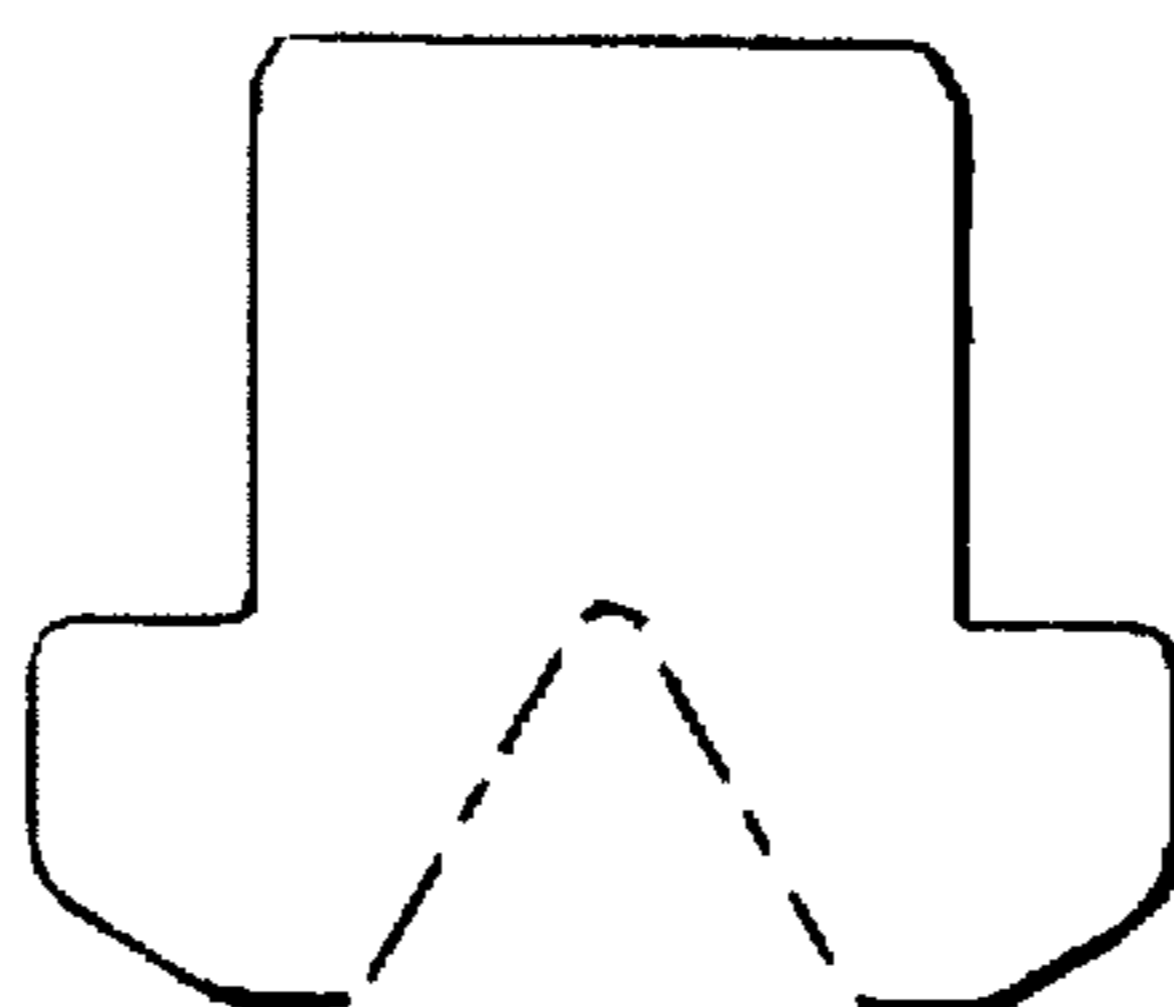


FIG. 6

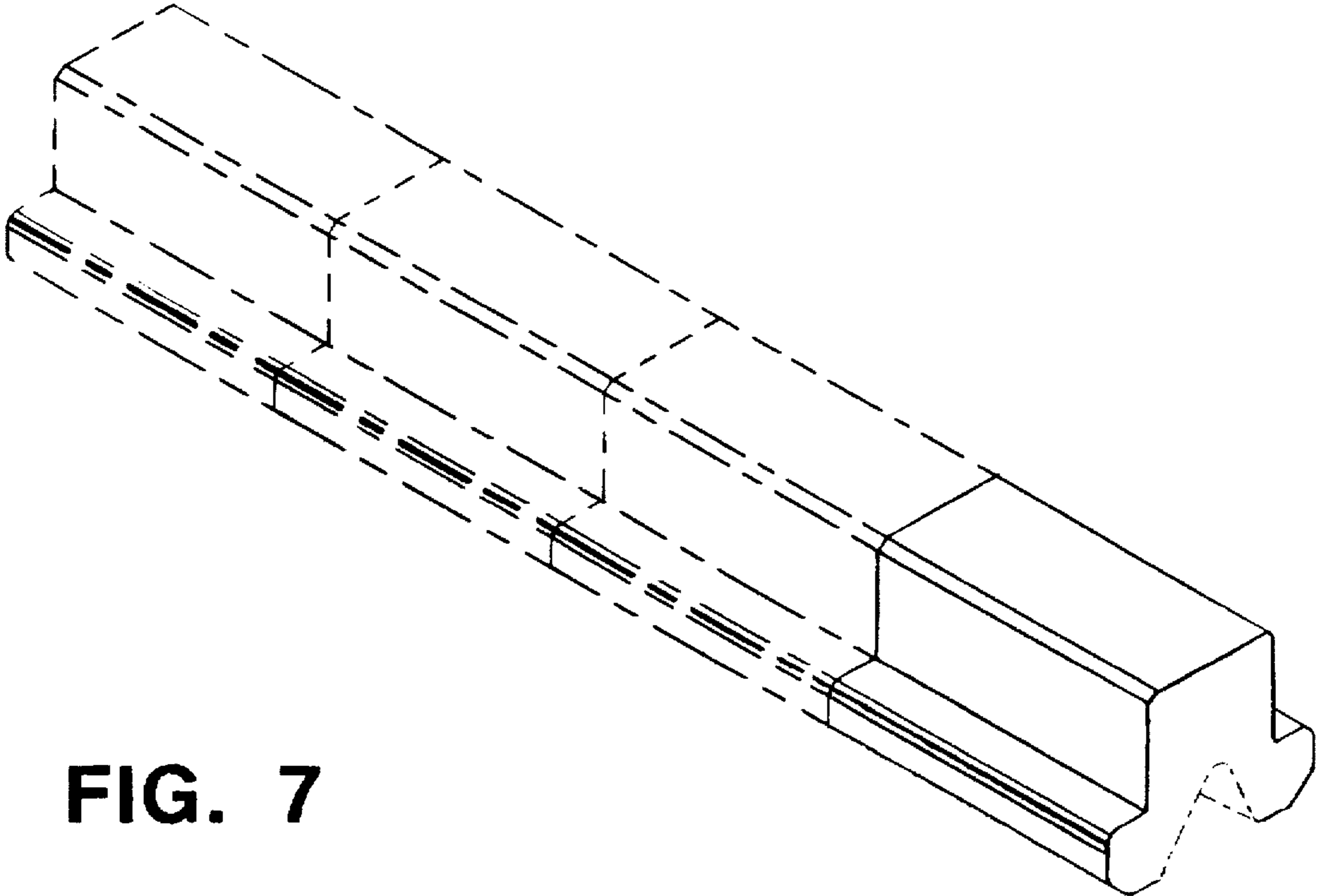


FIG. 7

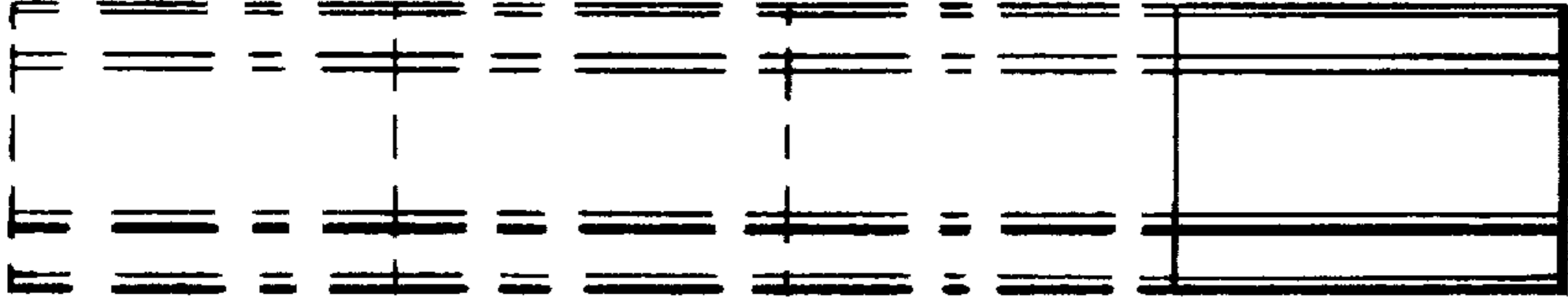


FIG. 8

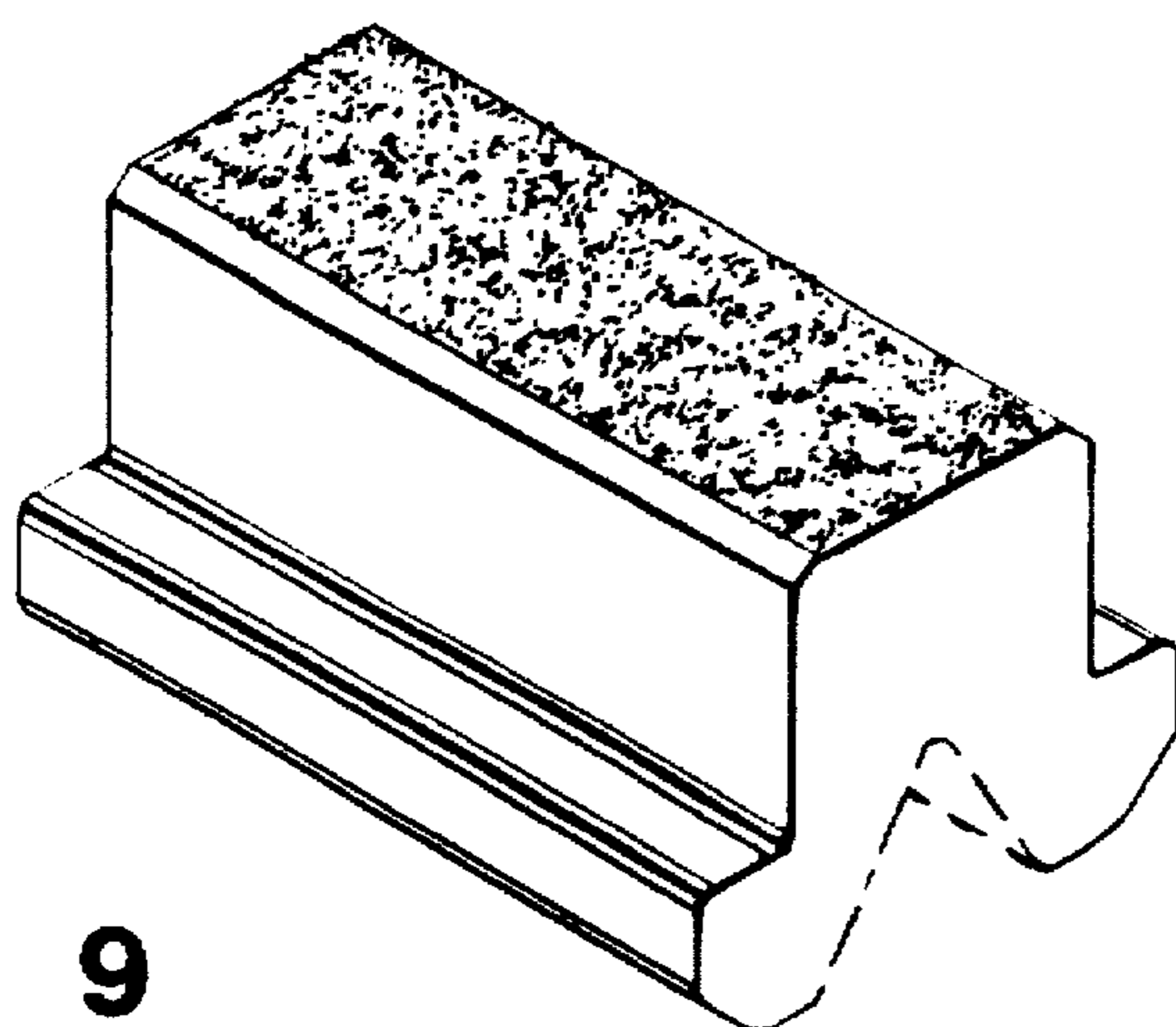


FIG. 9

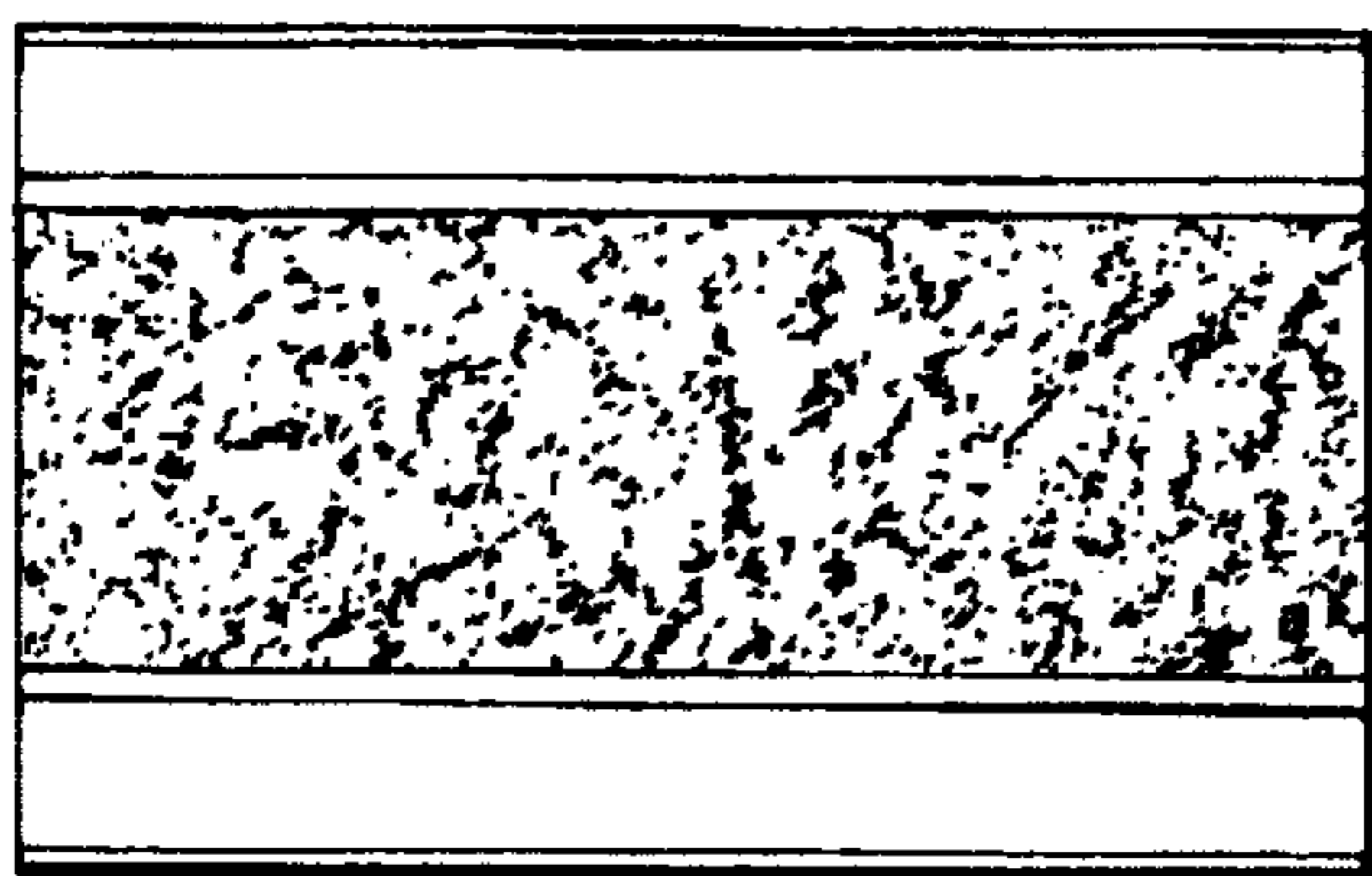


FIG. 10

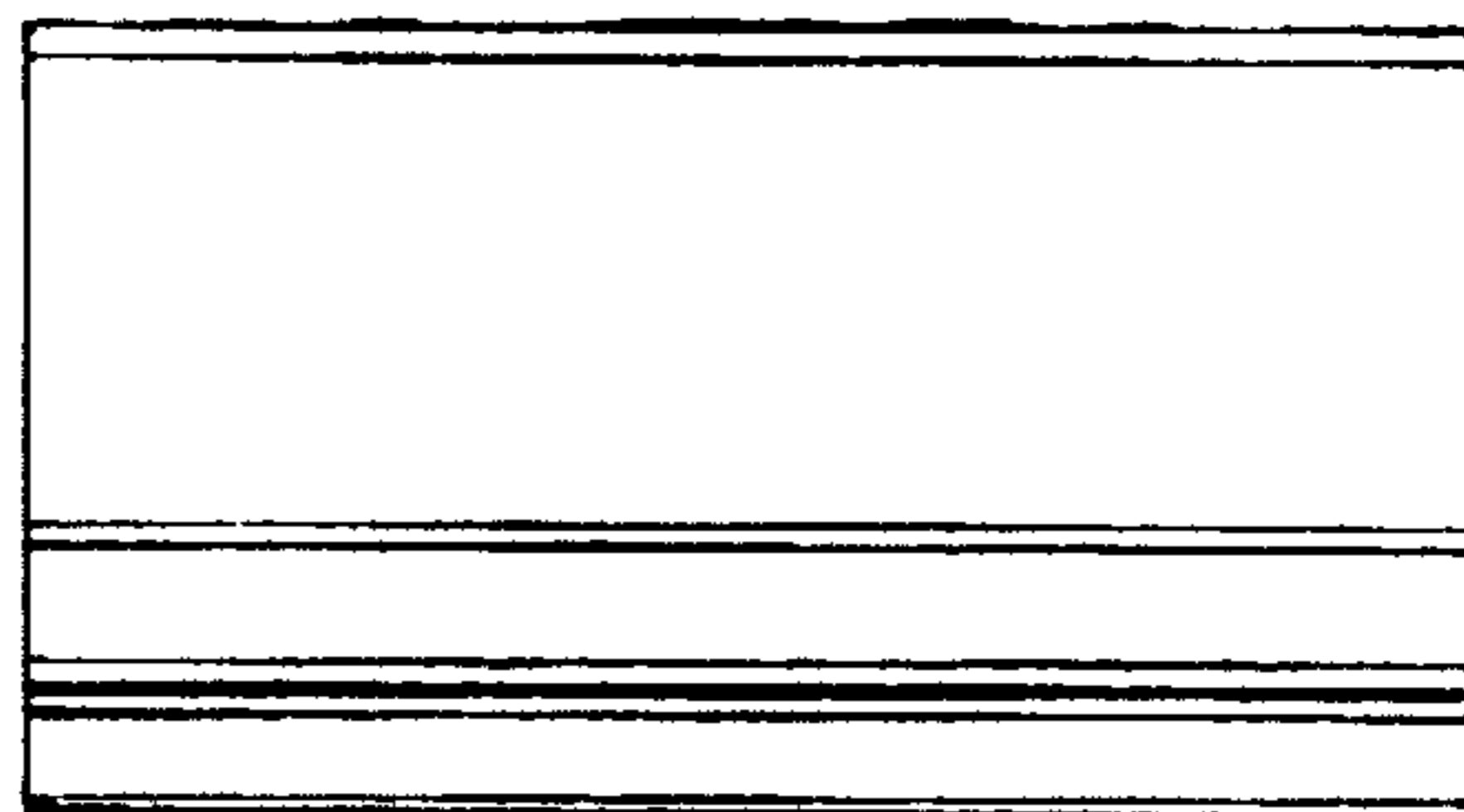


FIG. 12

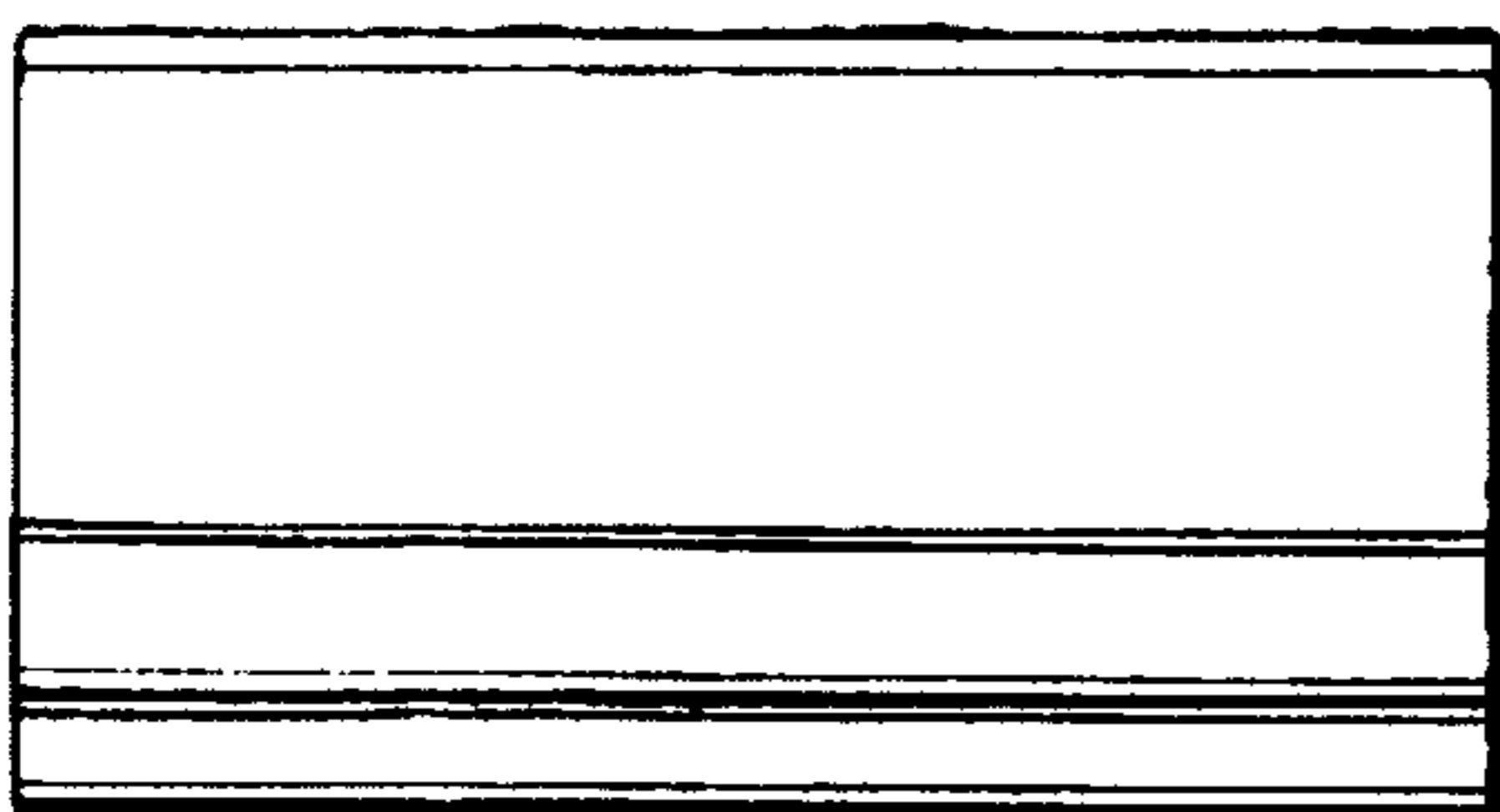


FIG. 11

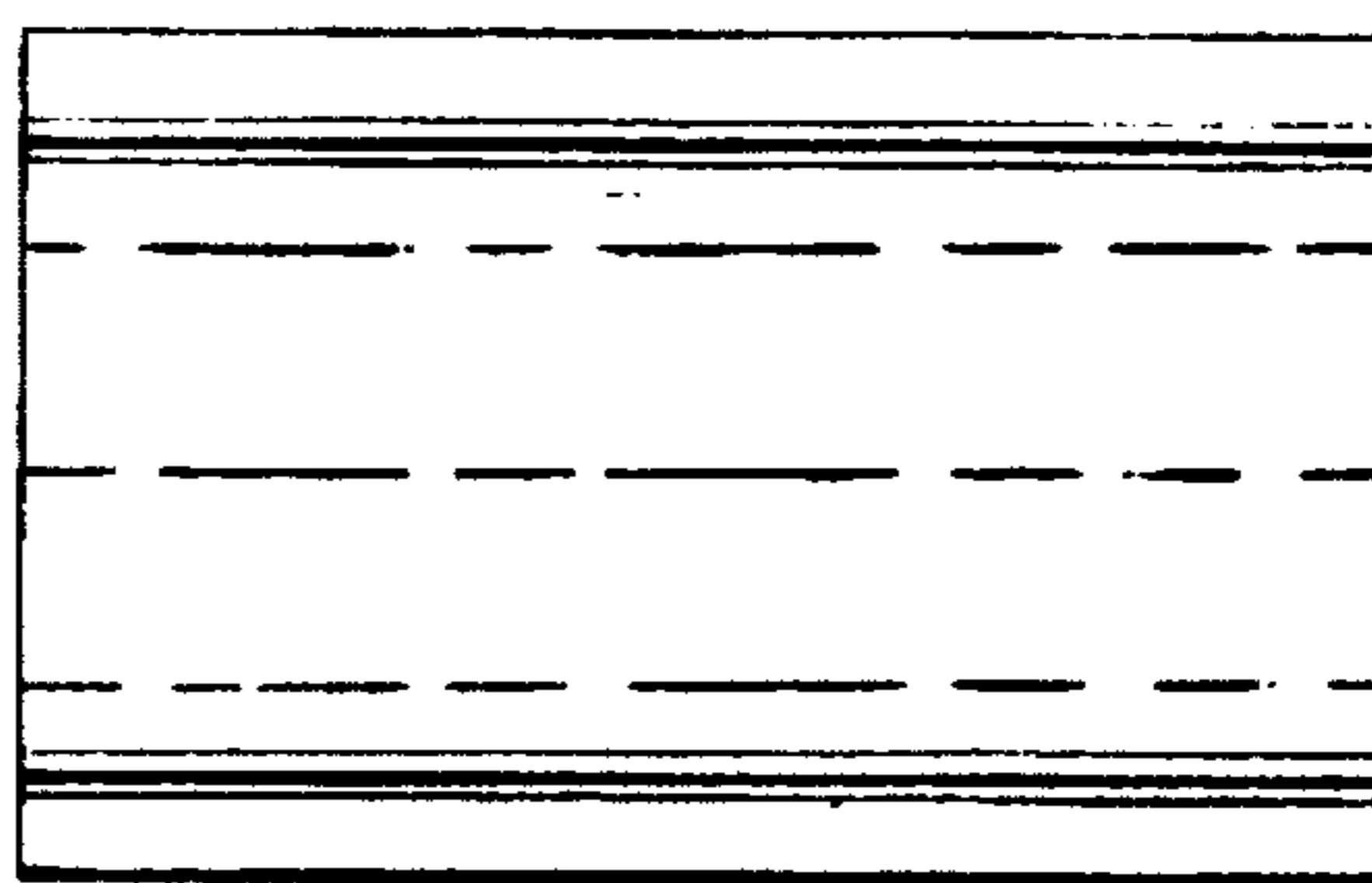


FIG. 13

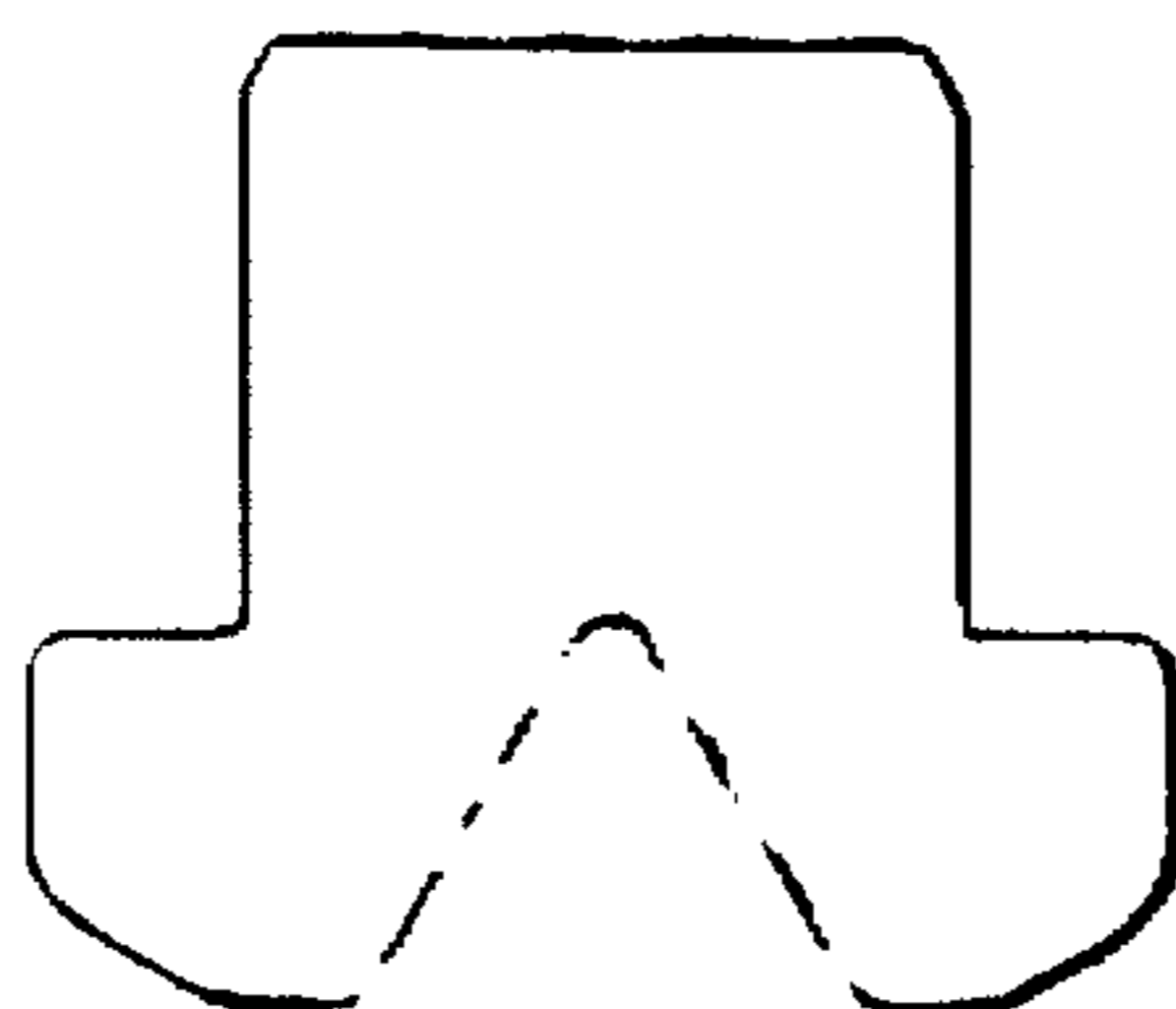


FIG. 14

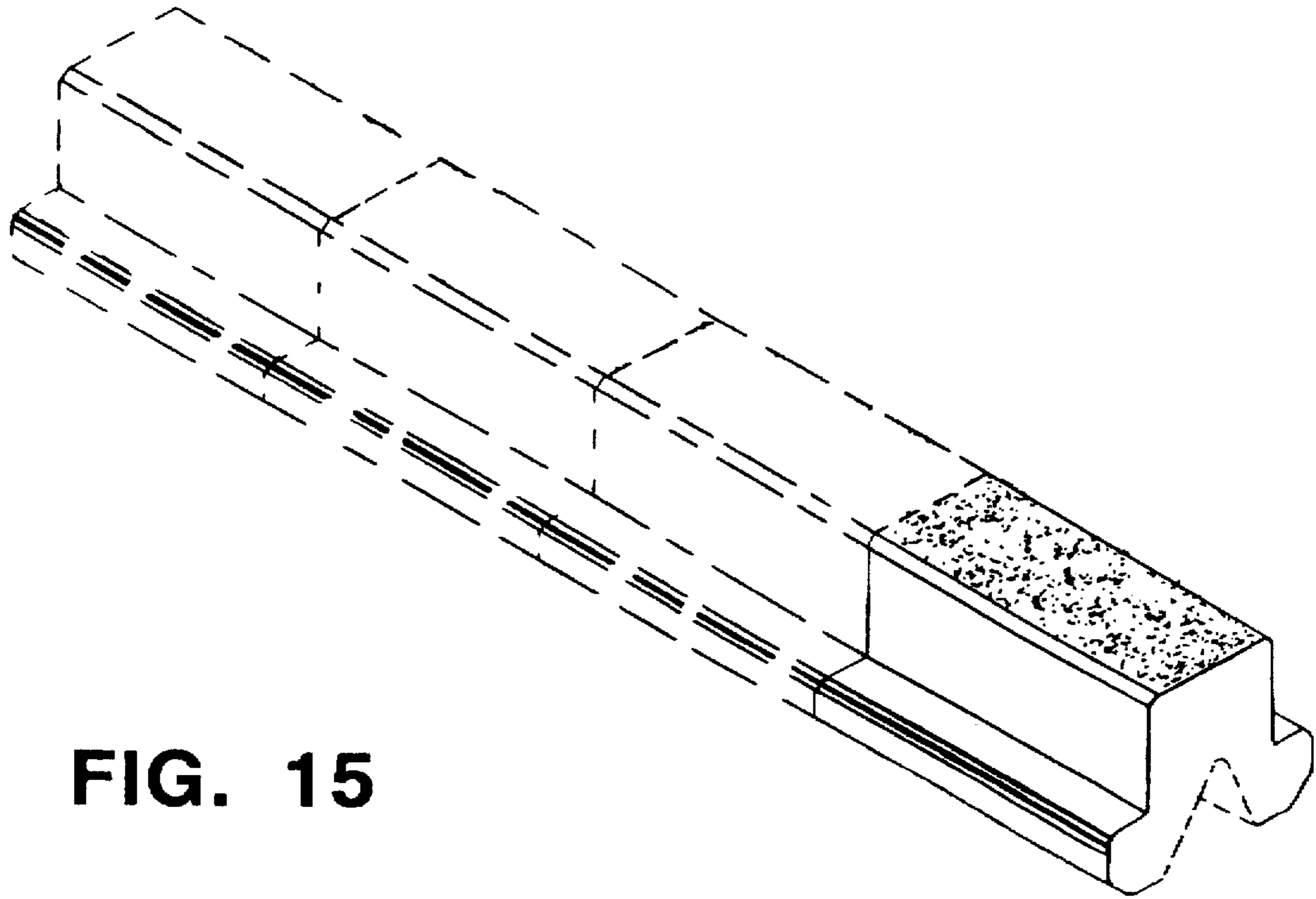


FIG. 15

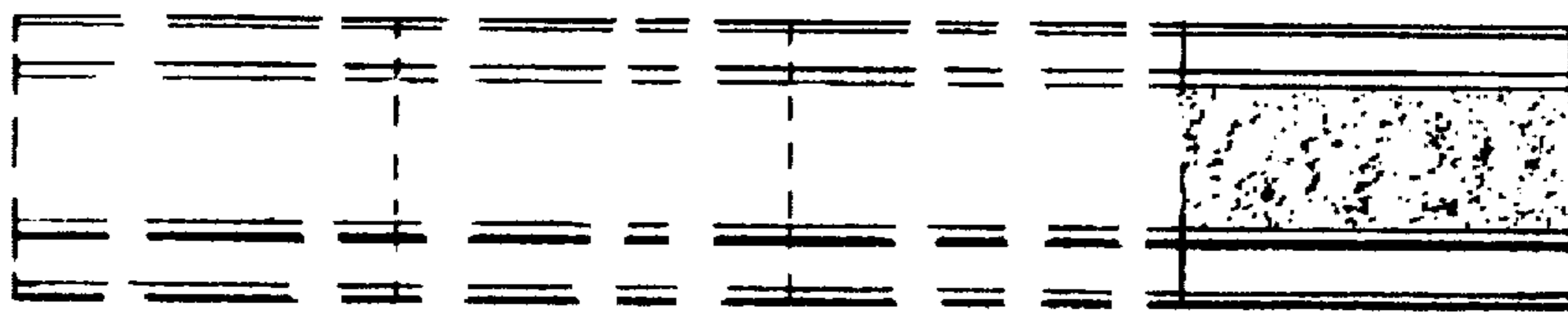


FIG. 16

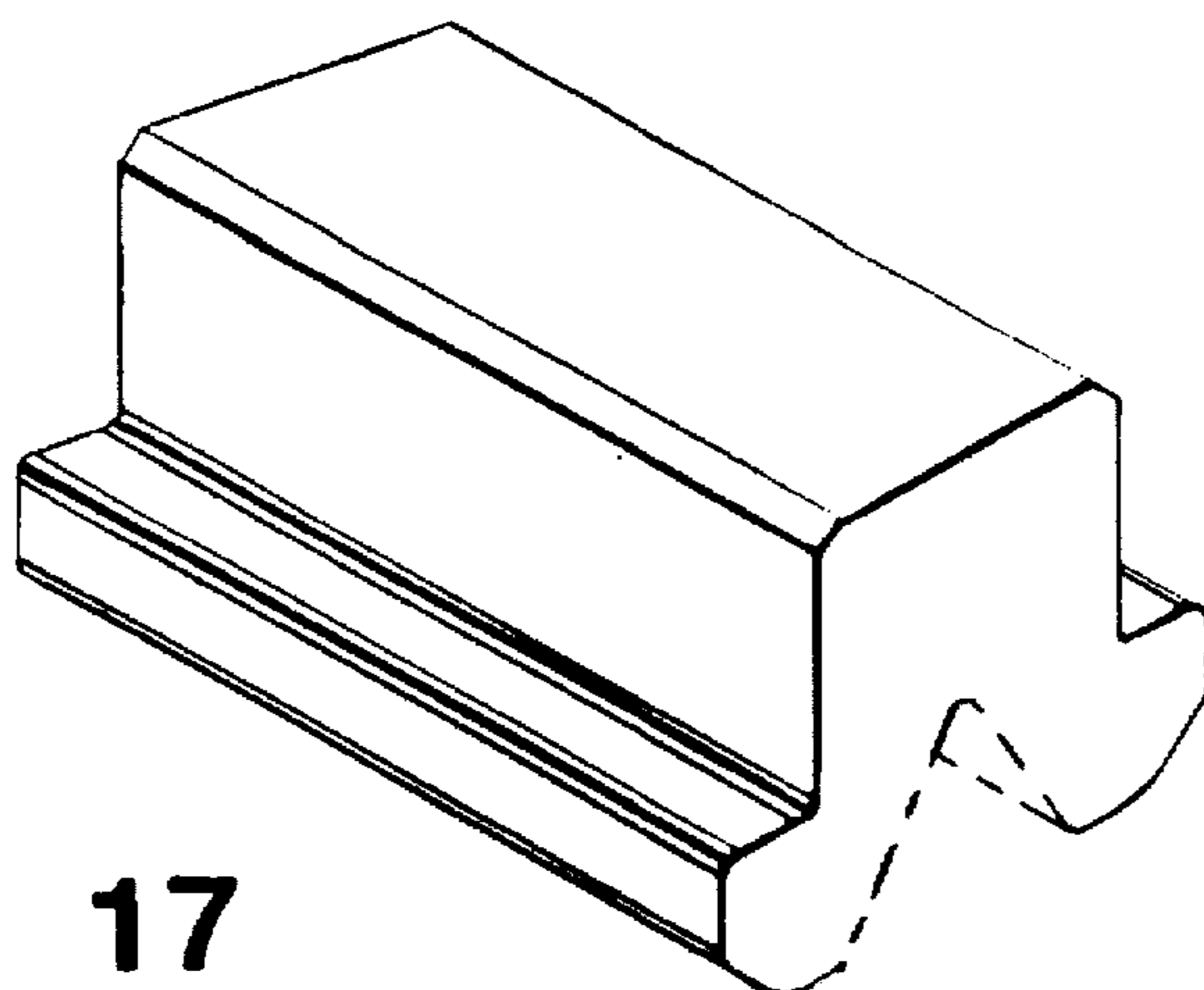


FIG. 17

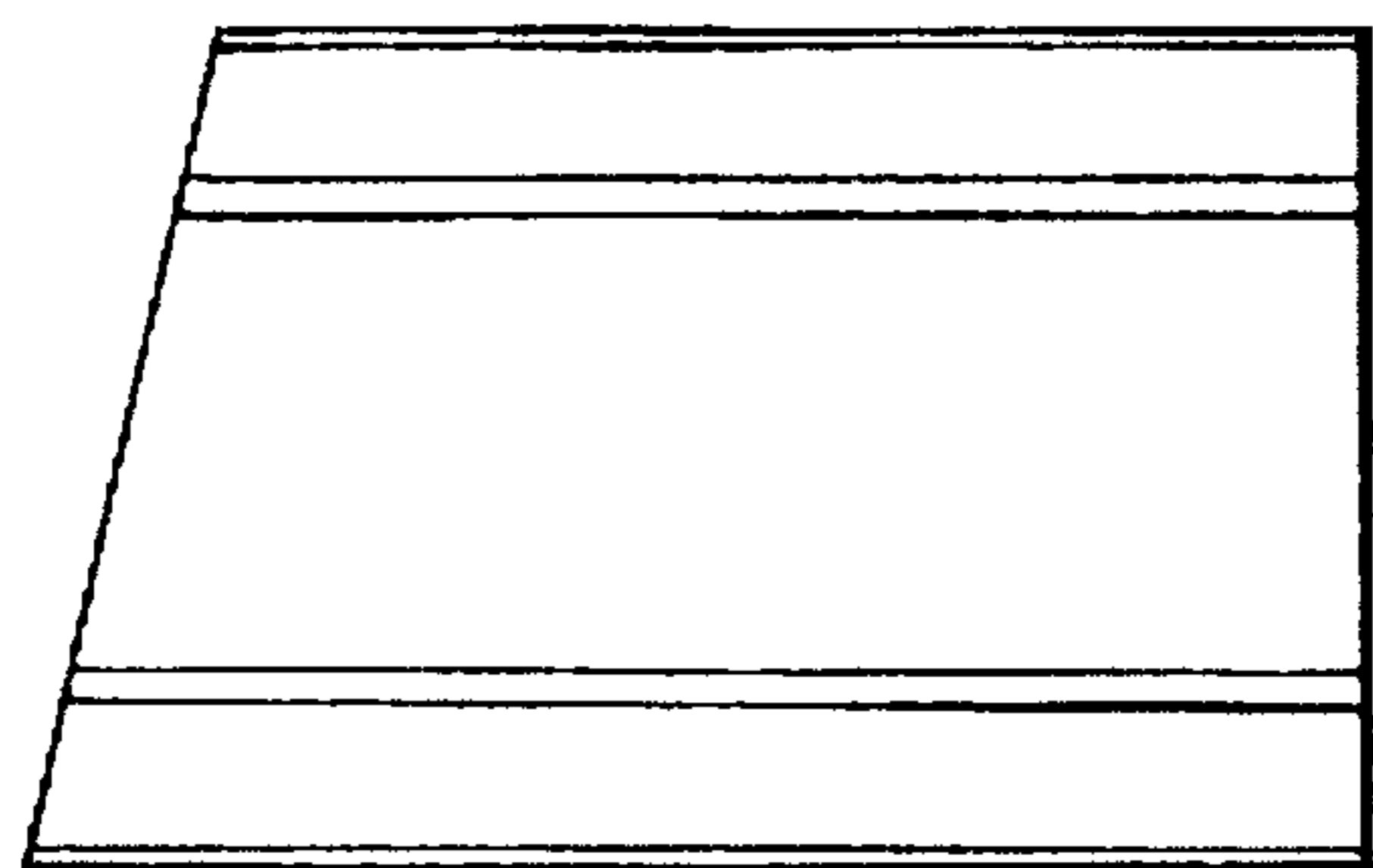


FIG. 18

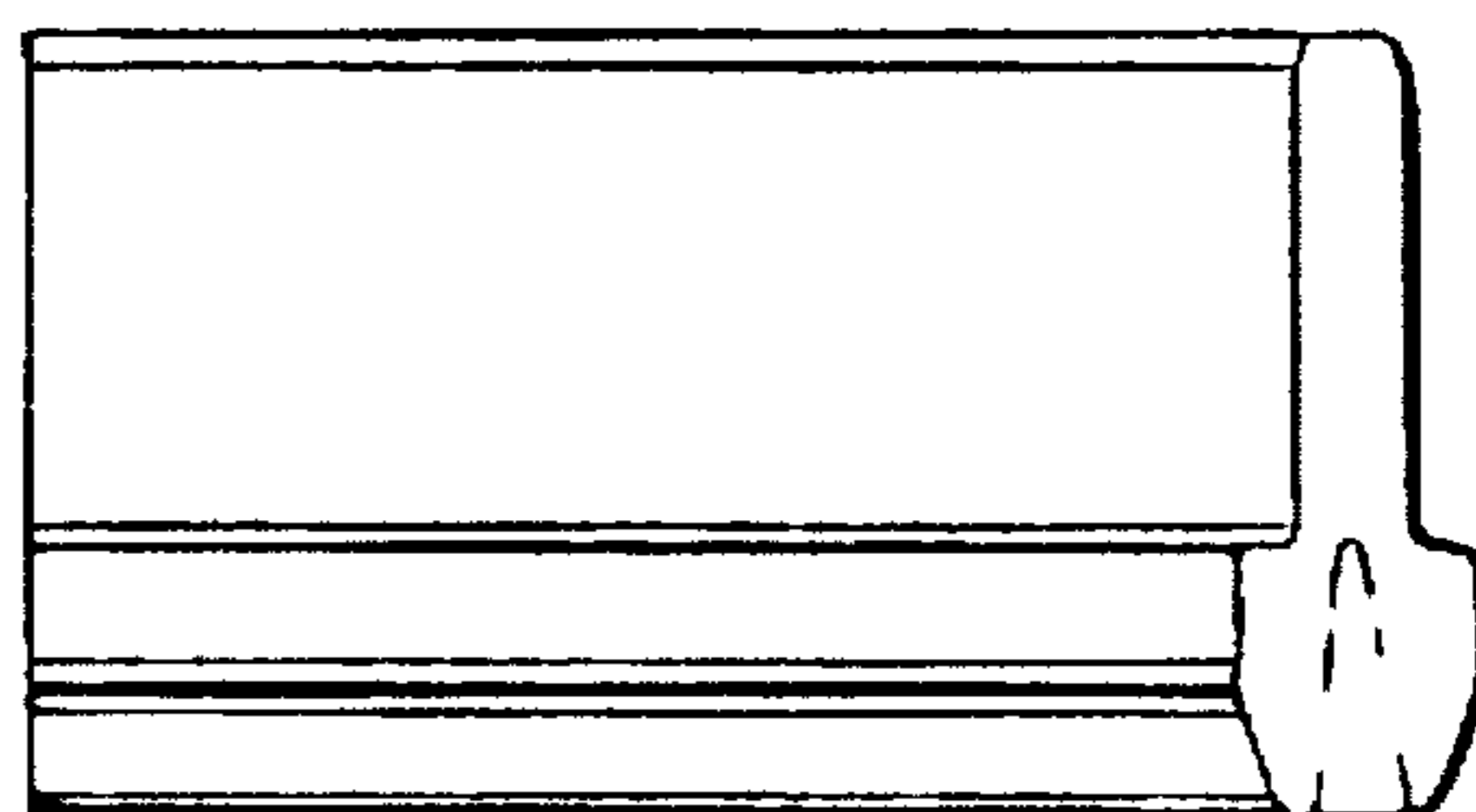


FIG. 20

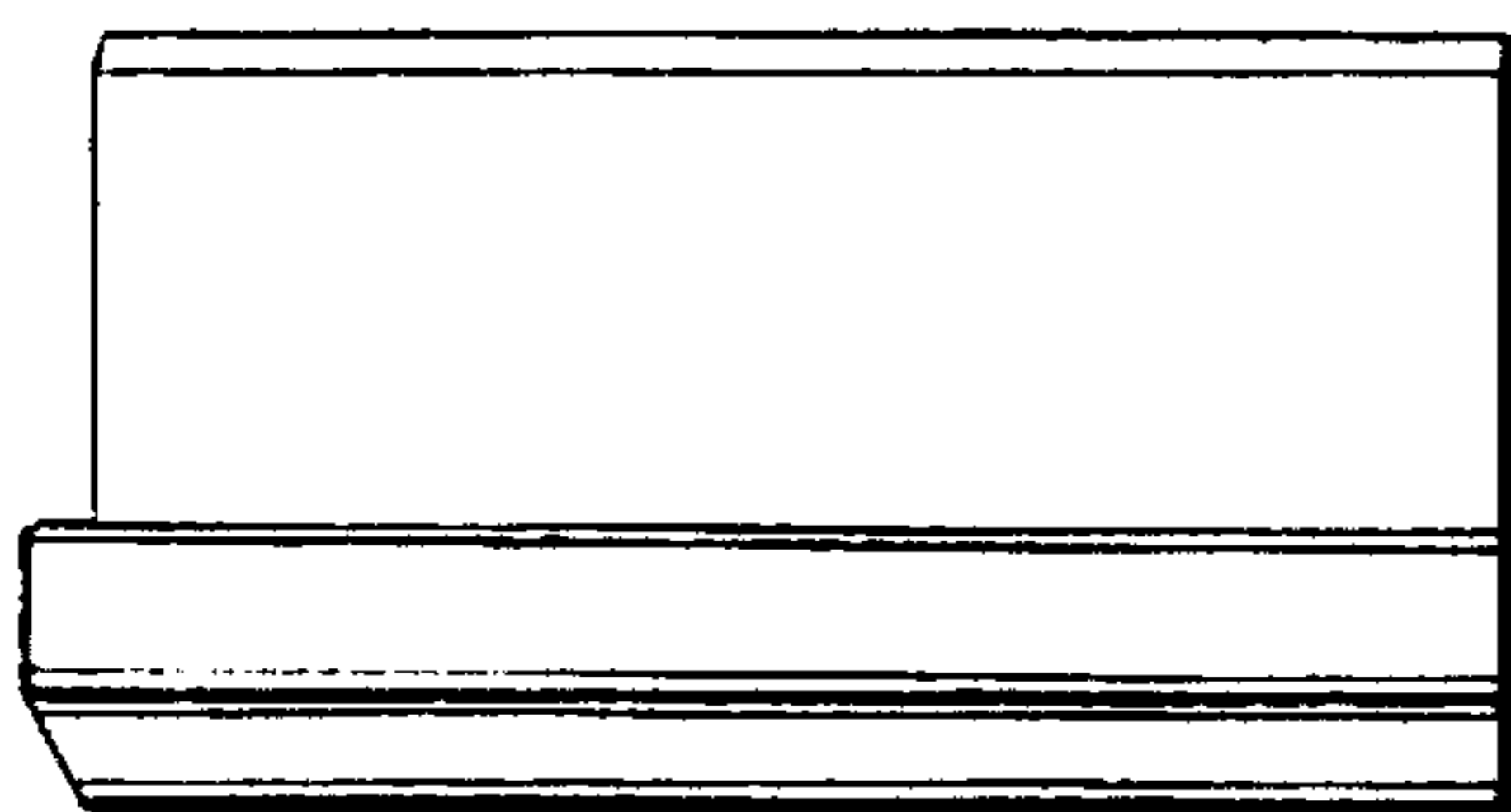


FIG. 19

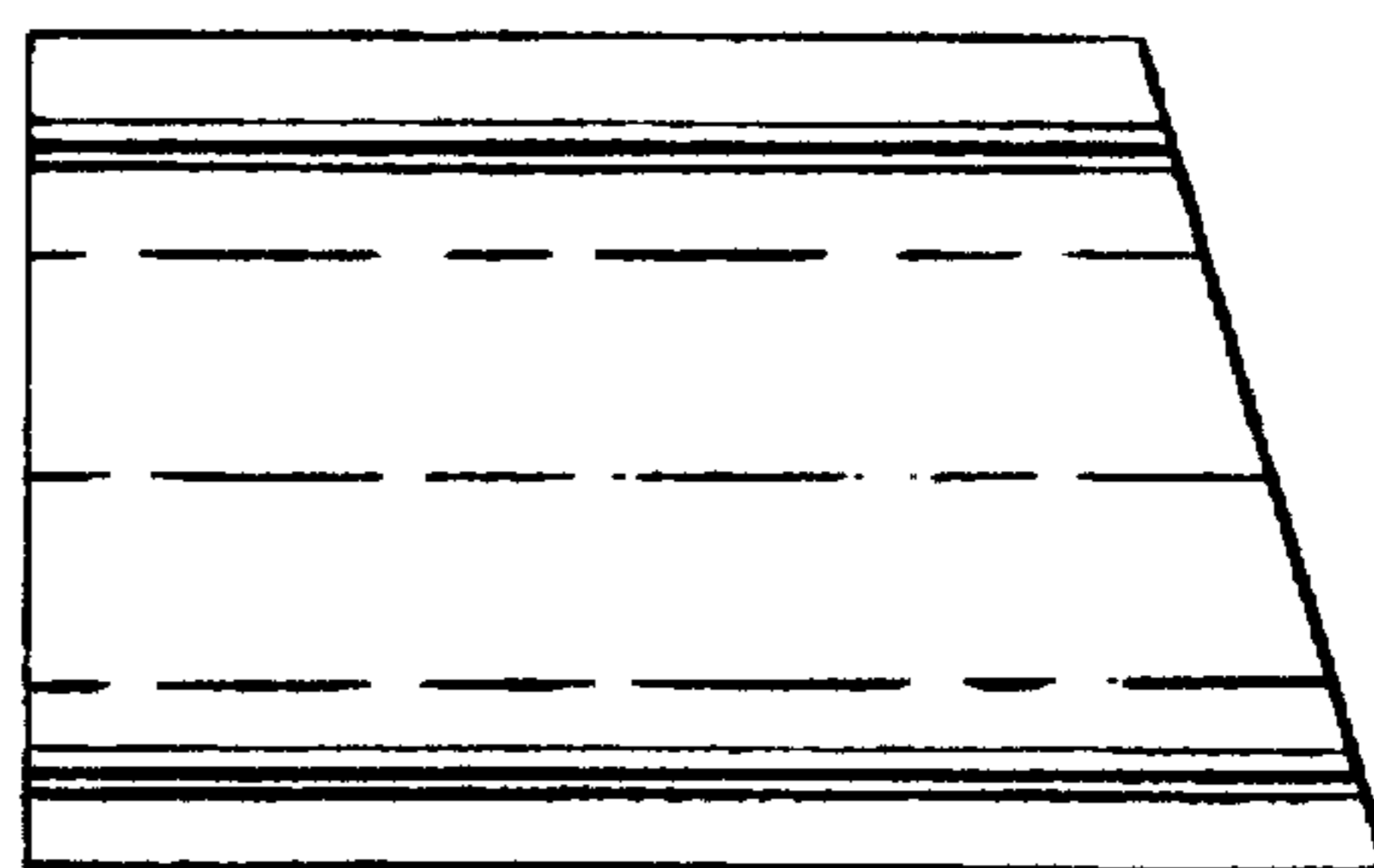


FIG. 21

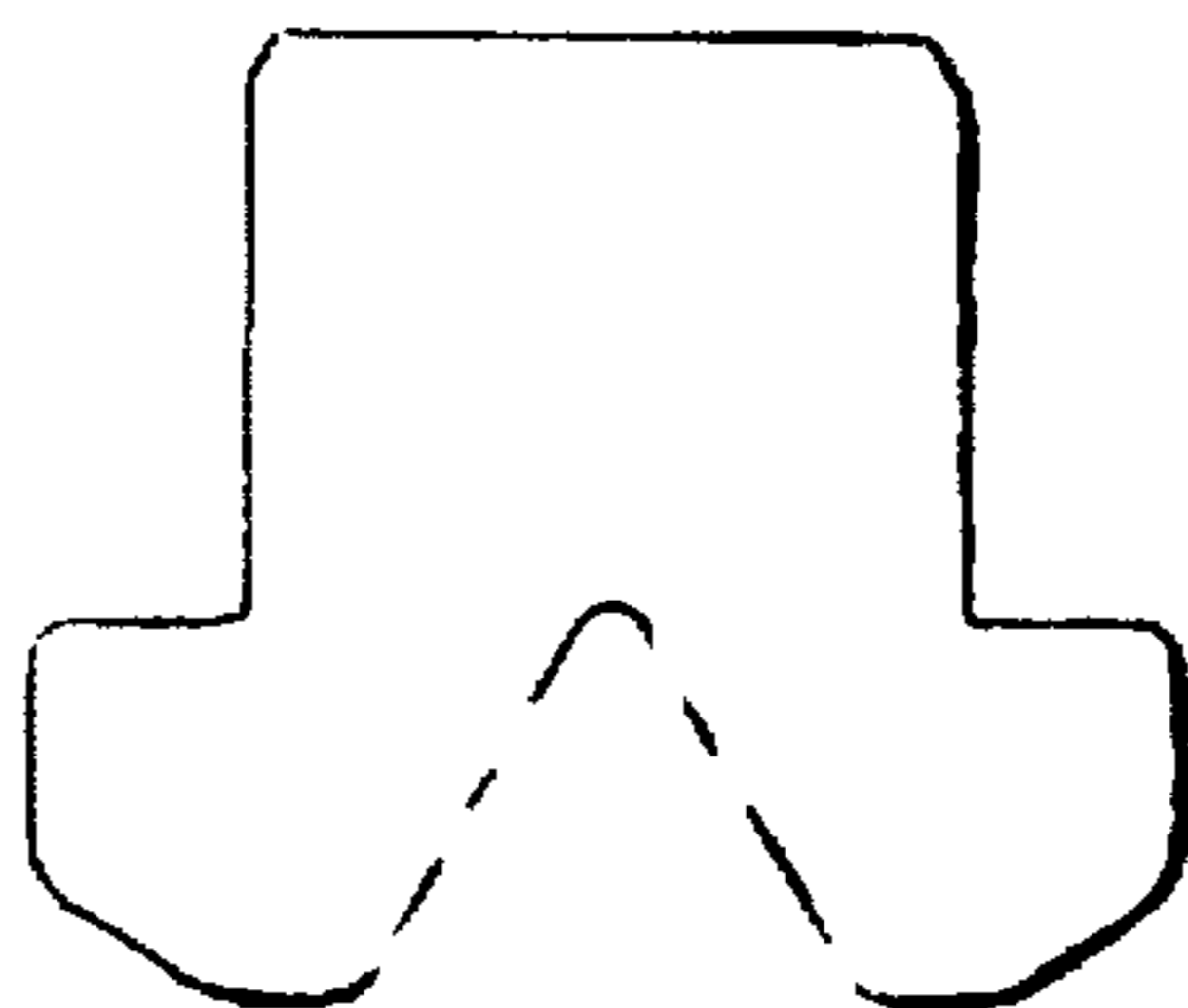


FIG. 22

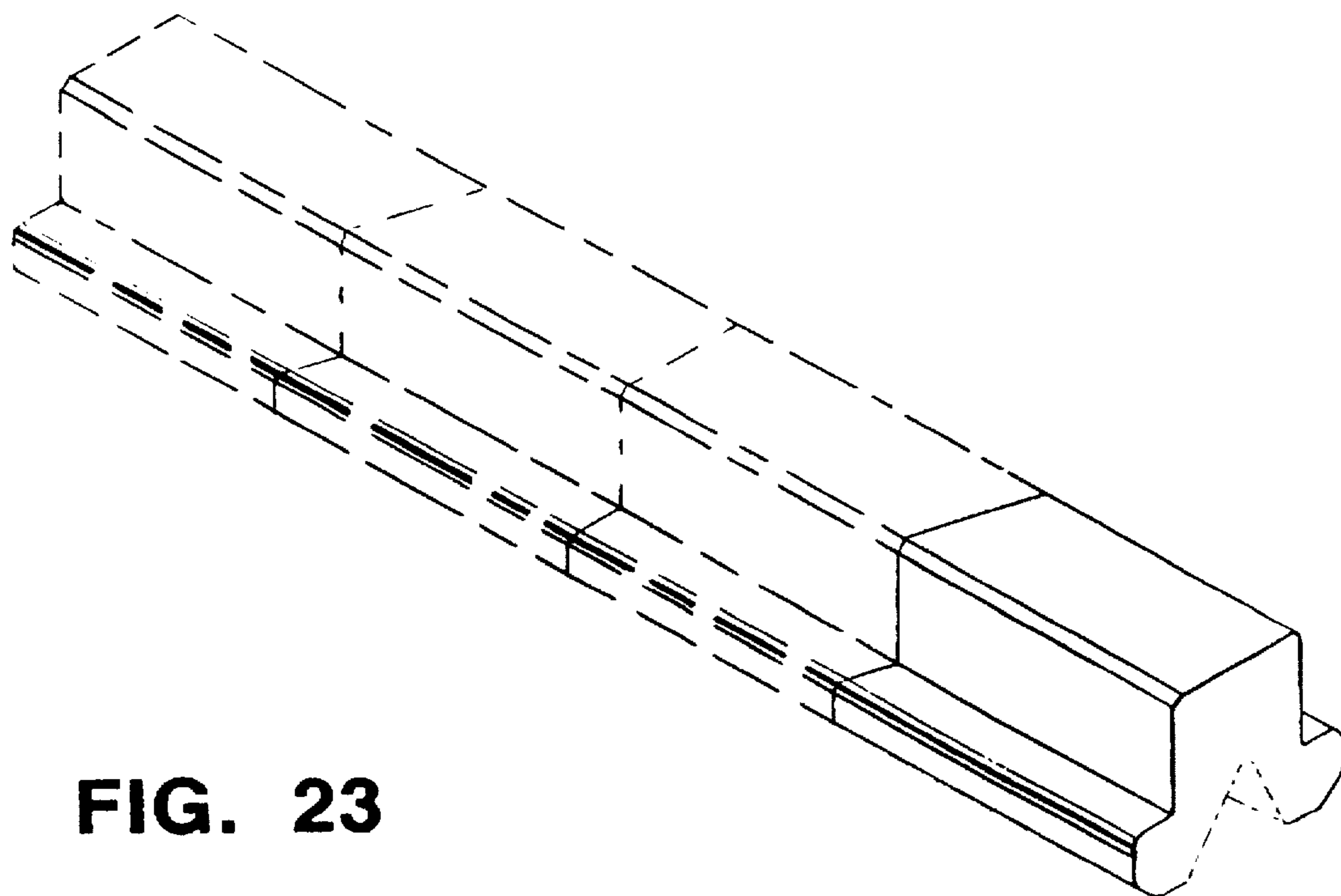


FIG. 23

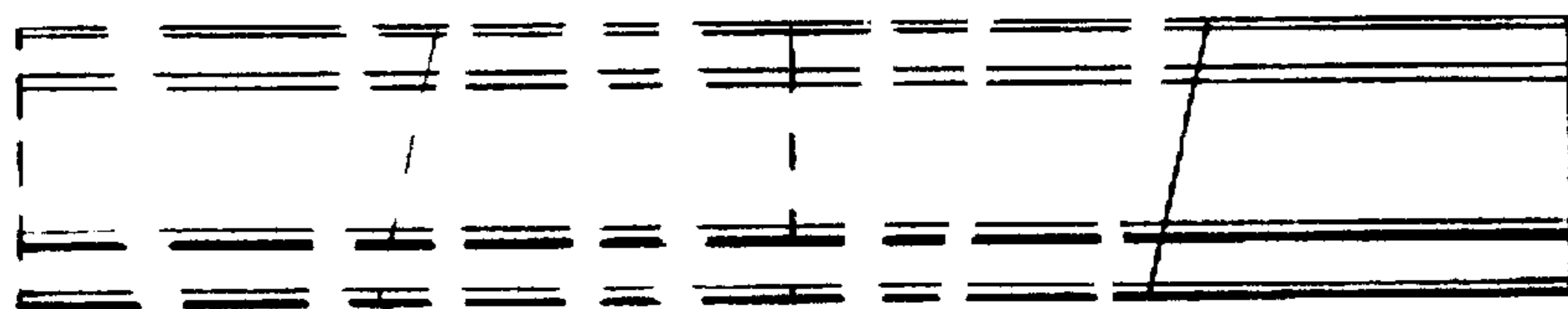


FIG. 24

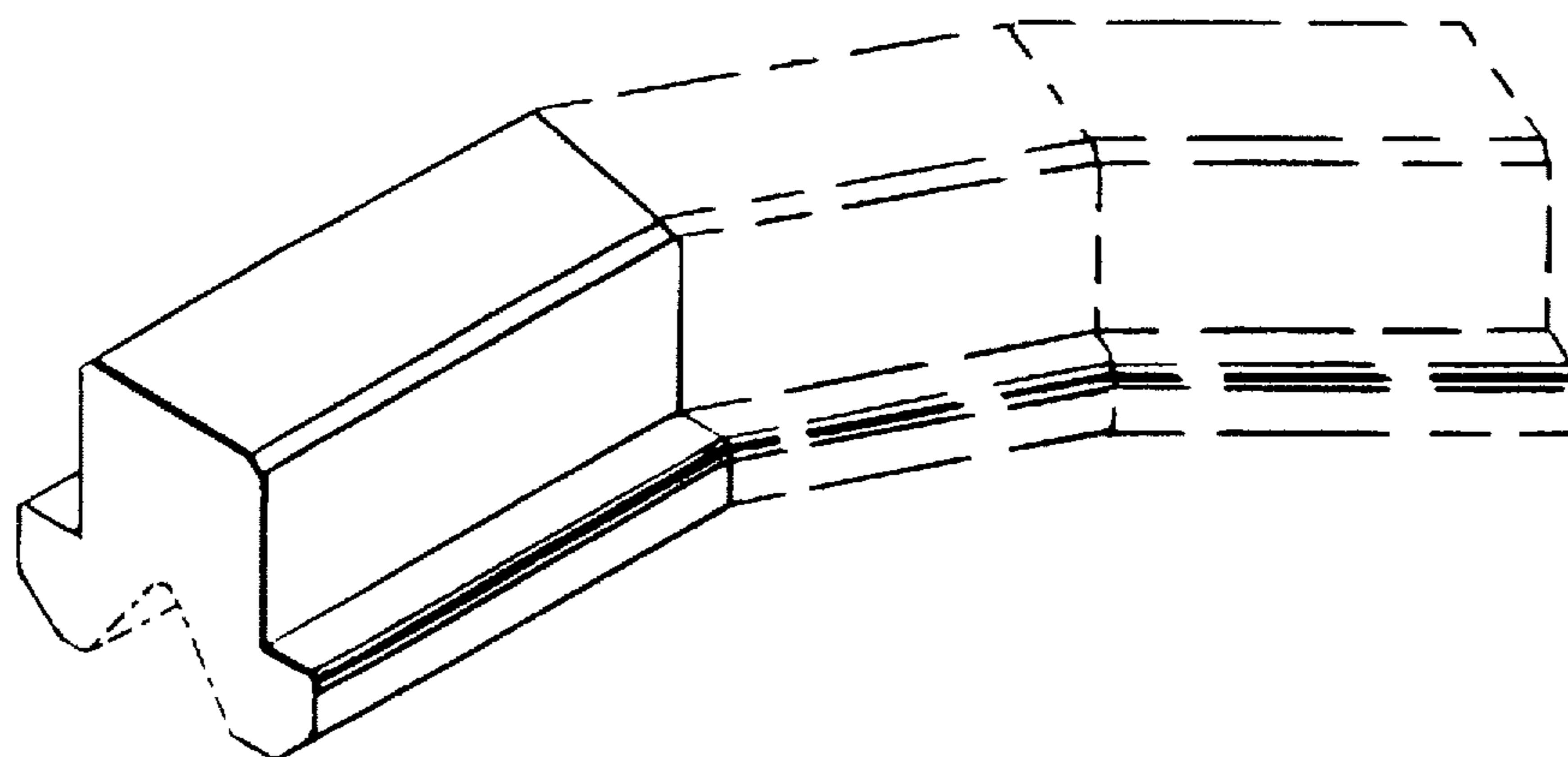


FIG. 25

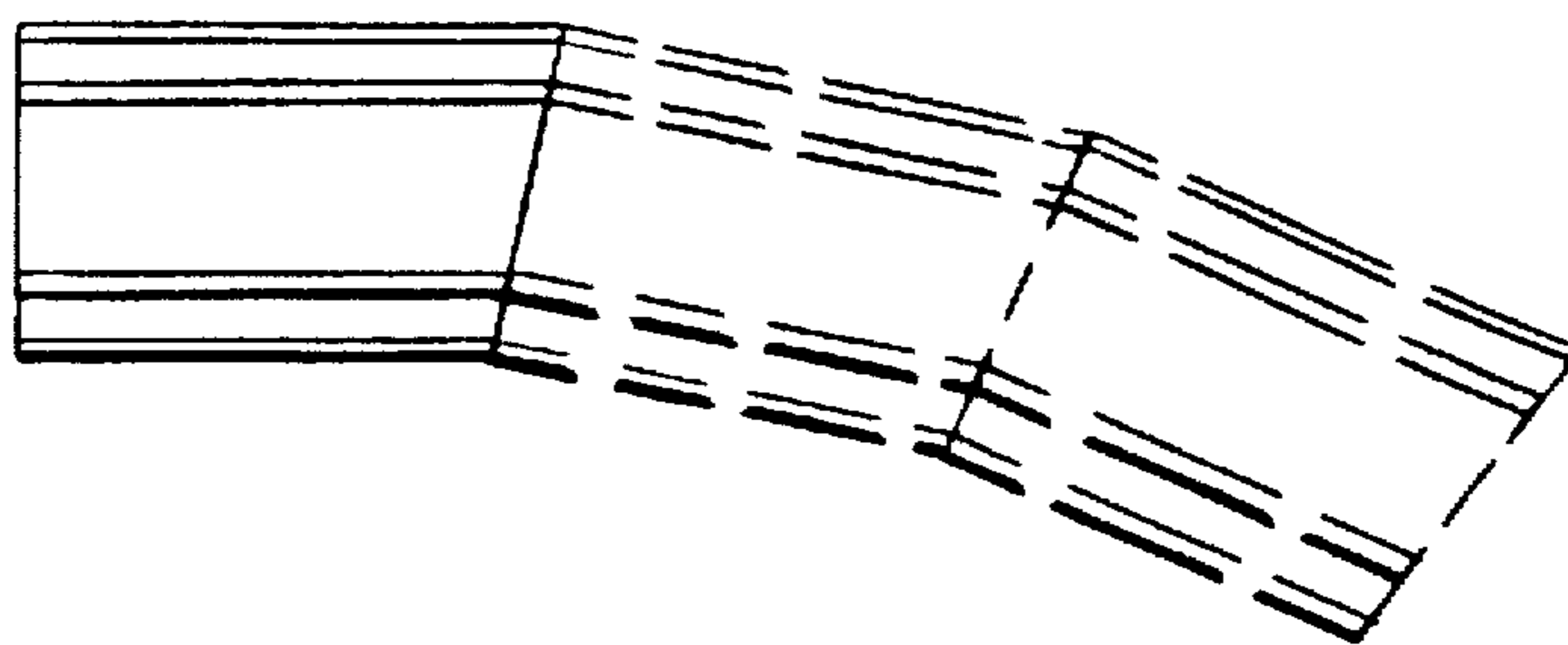


FIG. 26

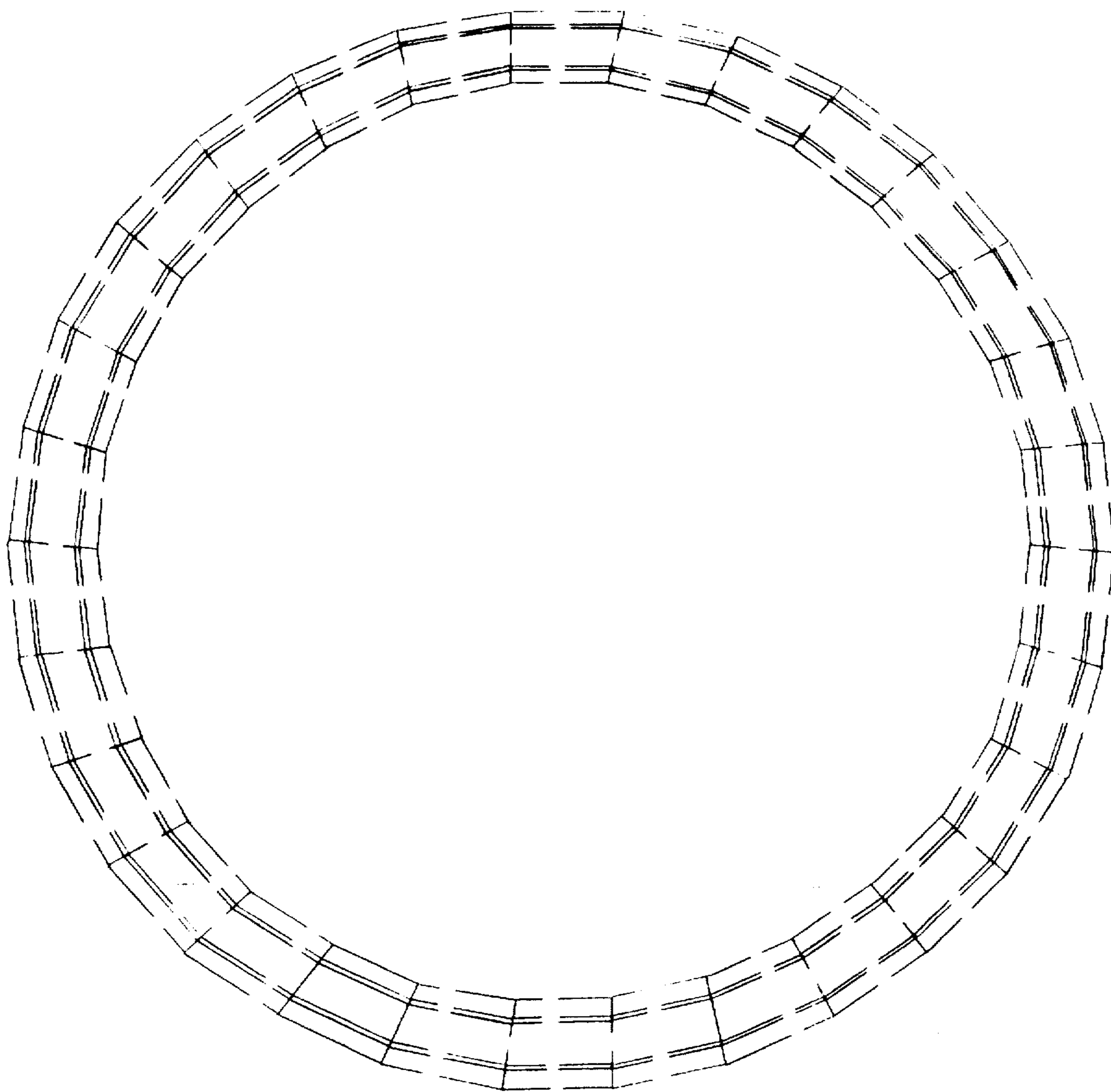


FIG. 27

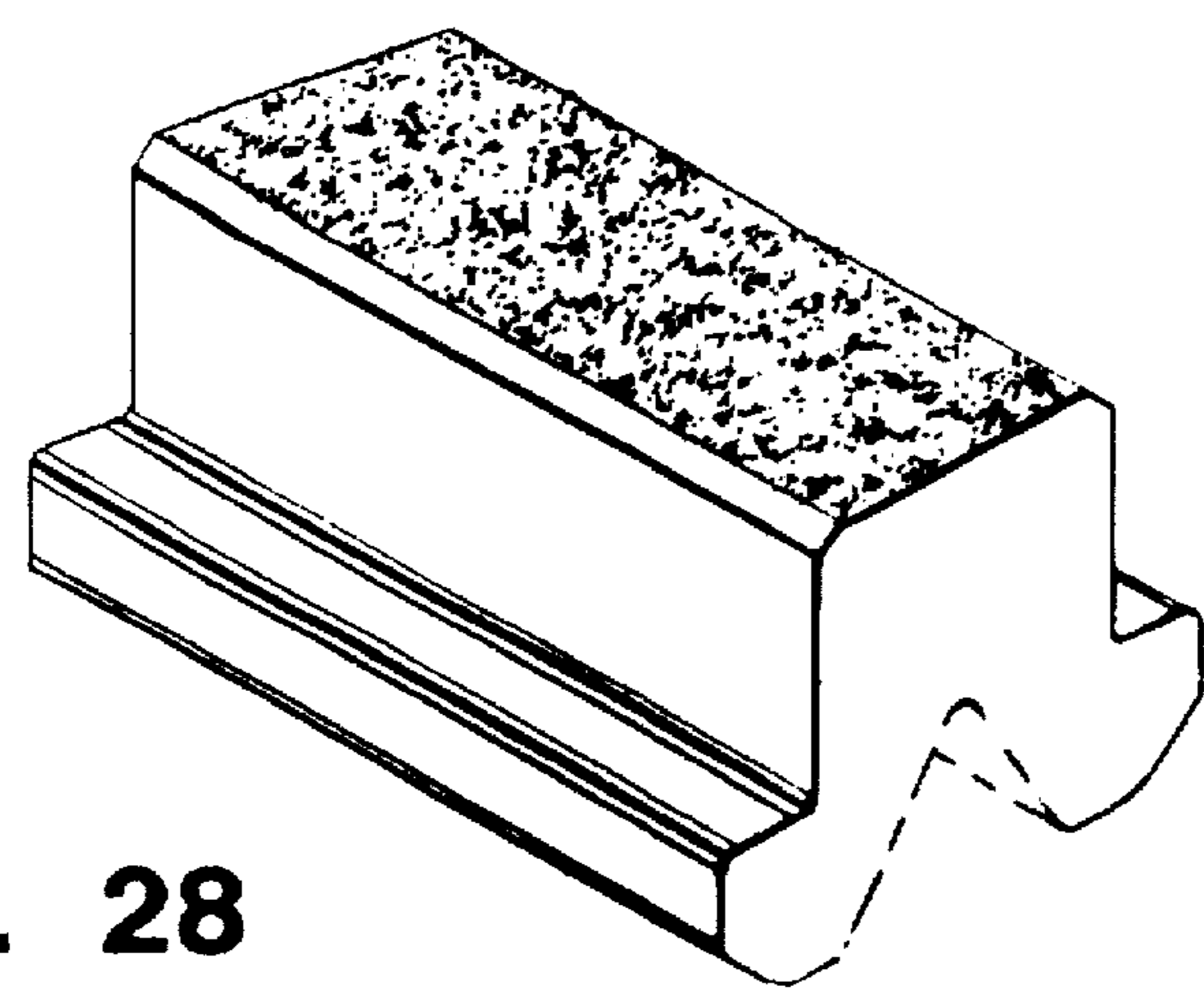


FIG. 28

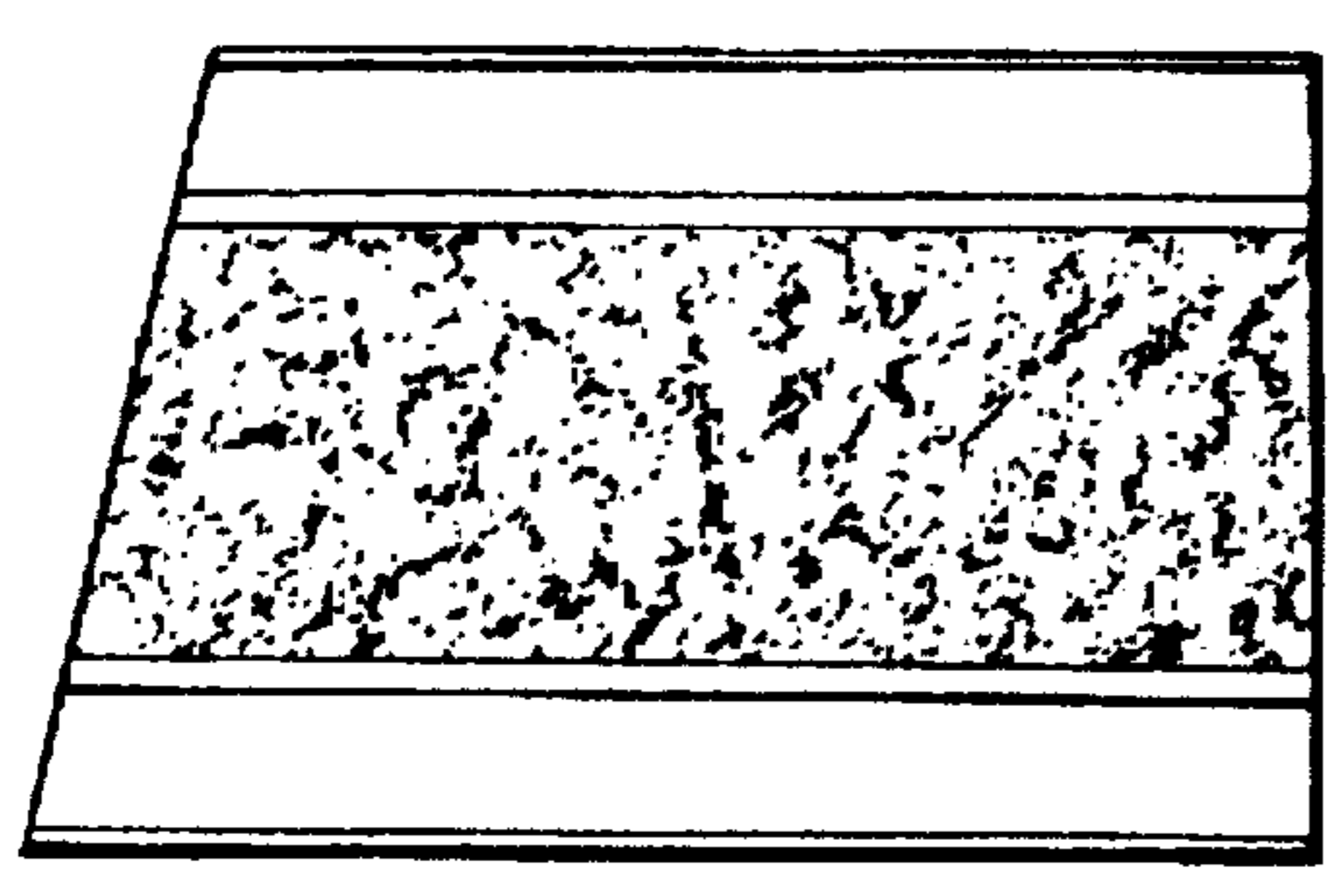


FIG. 29

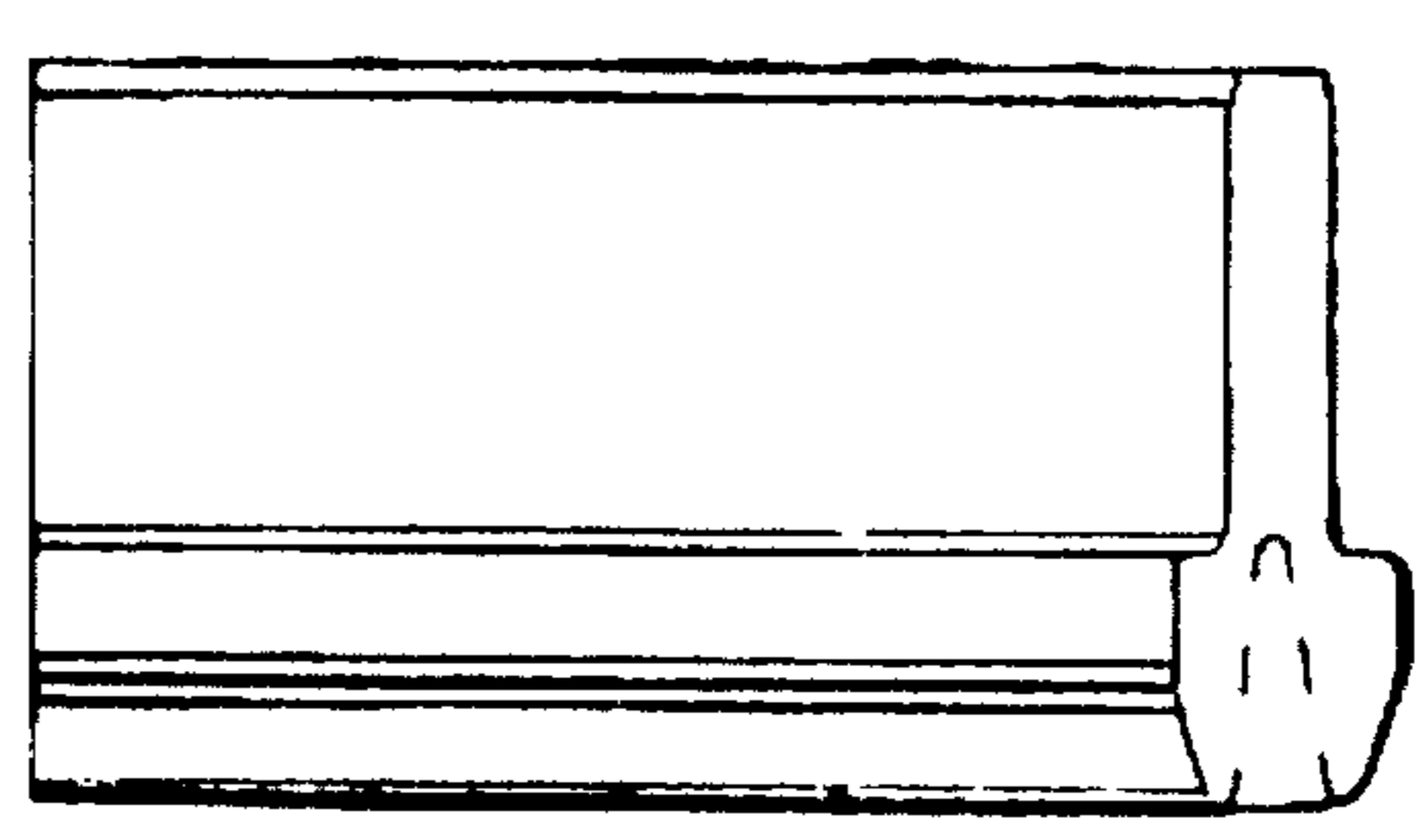


FIG. 31

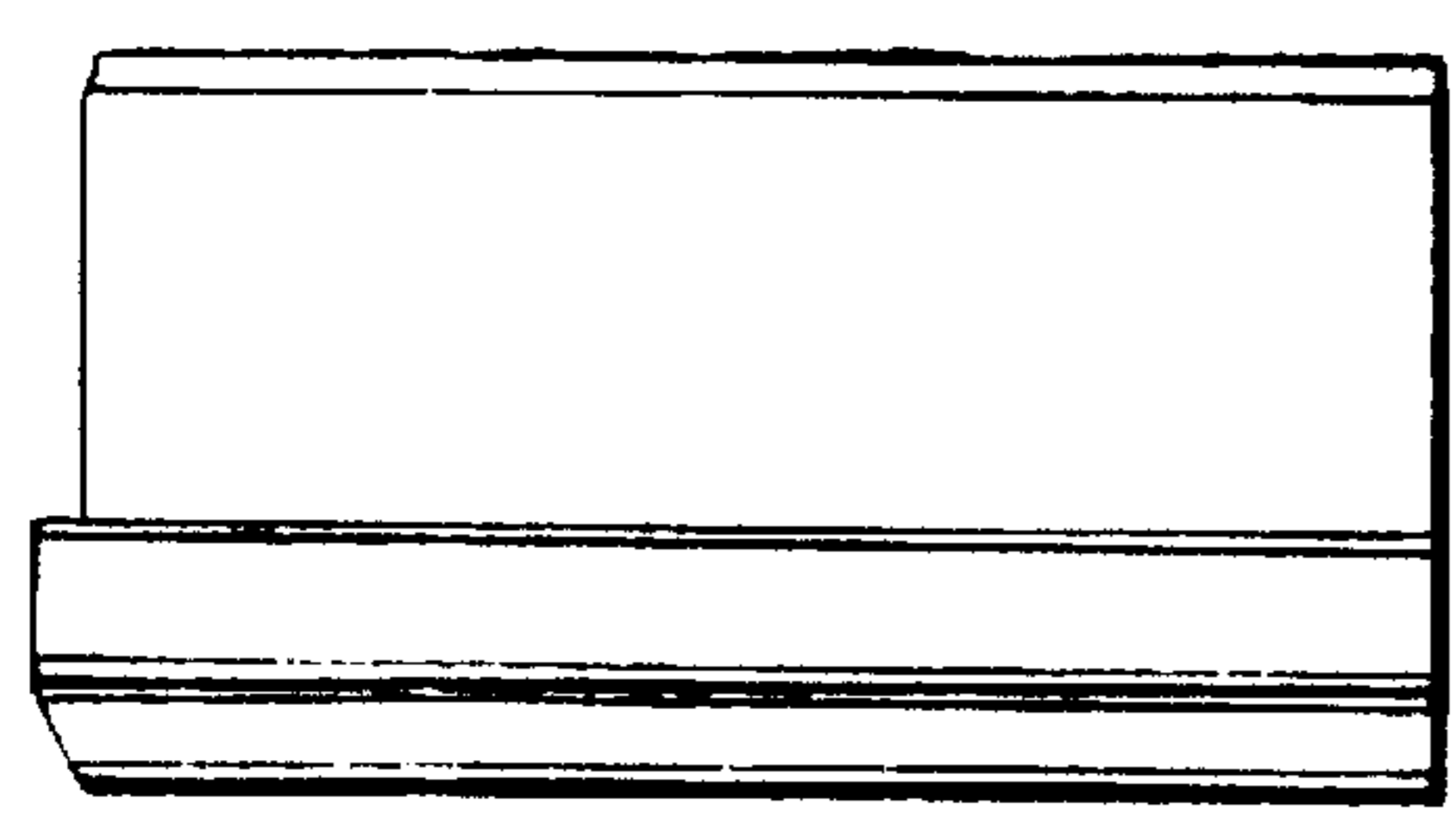


FIG. 30

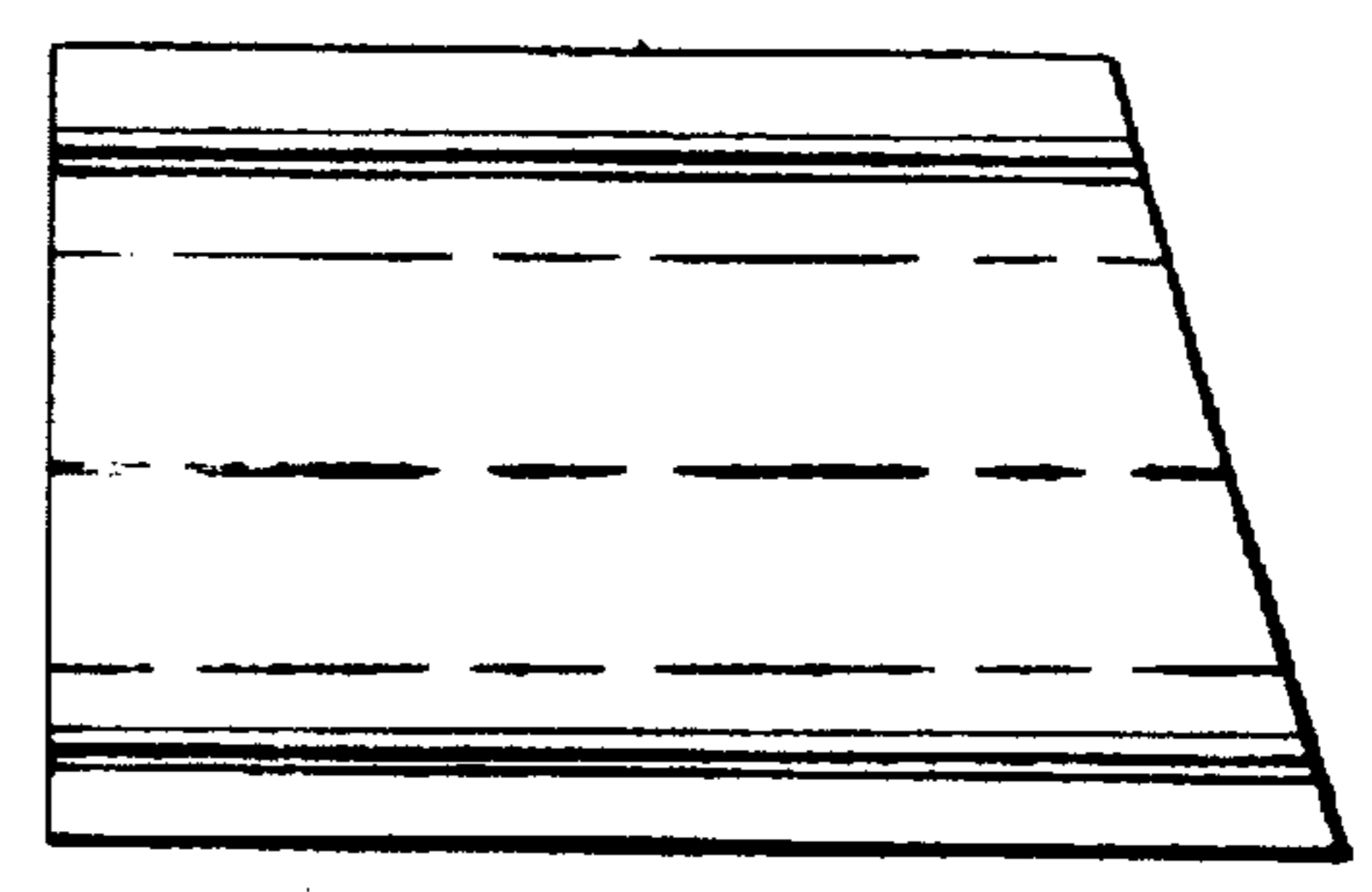


FIG. 32

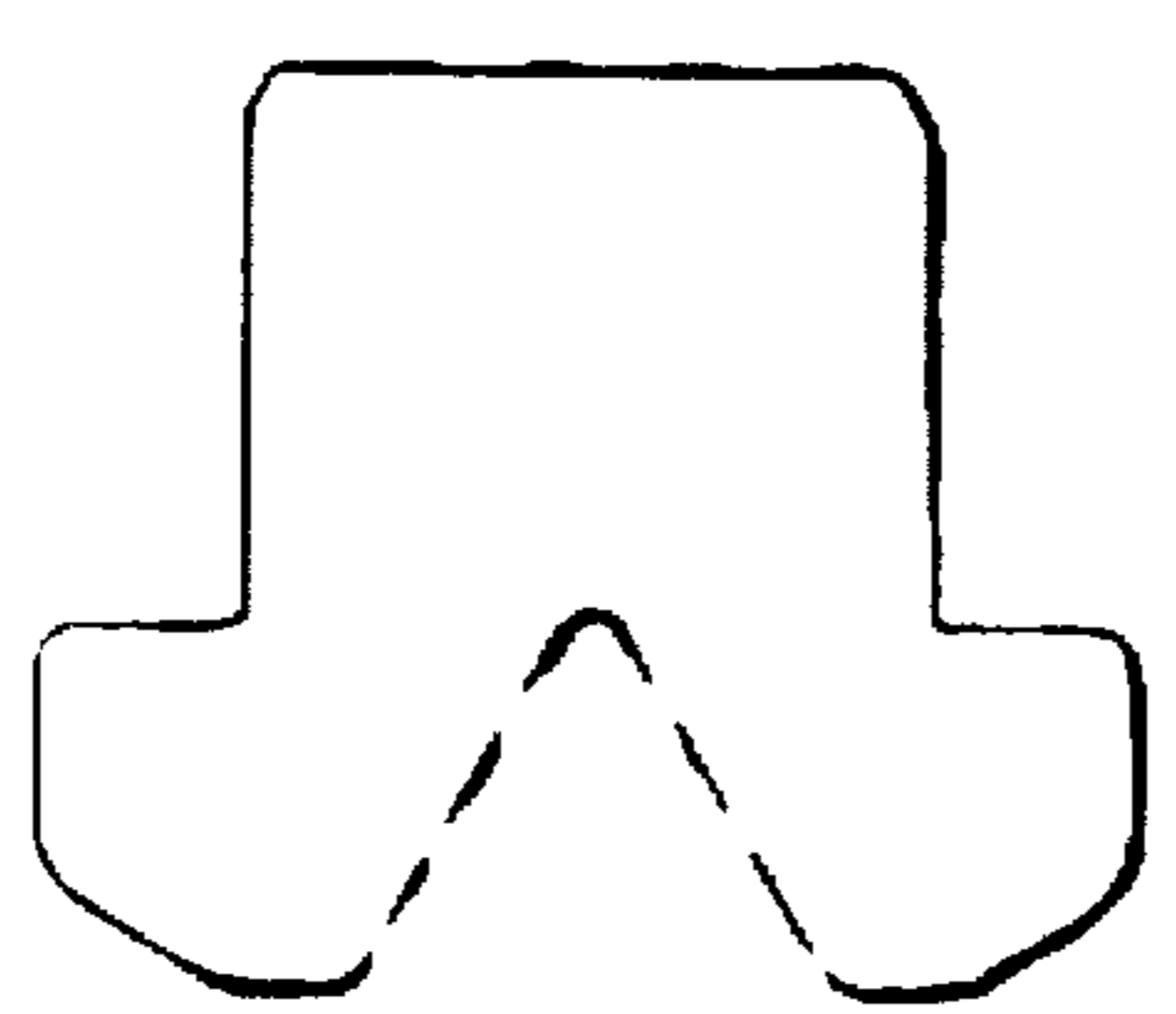


FIG. 33

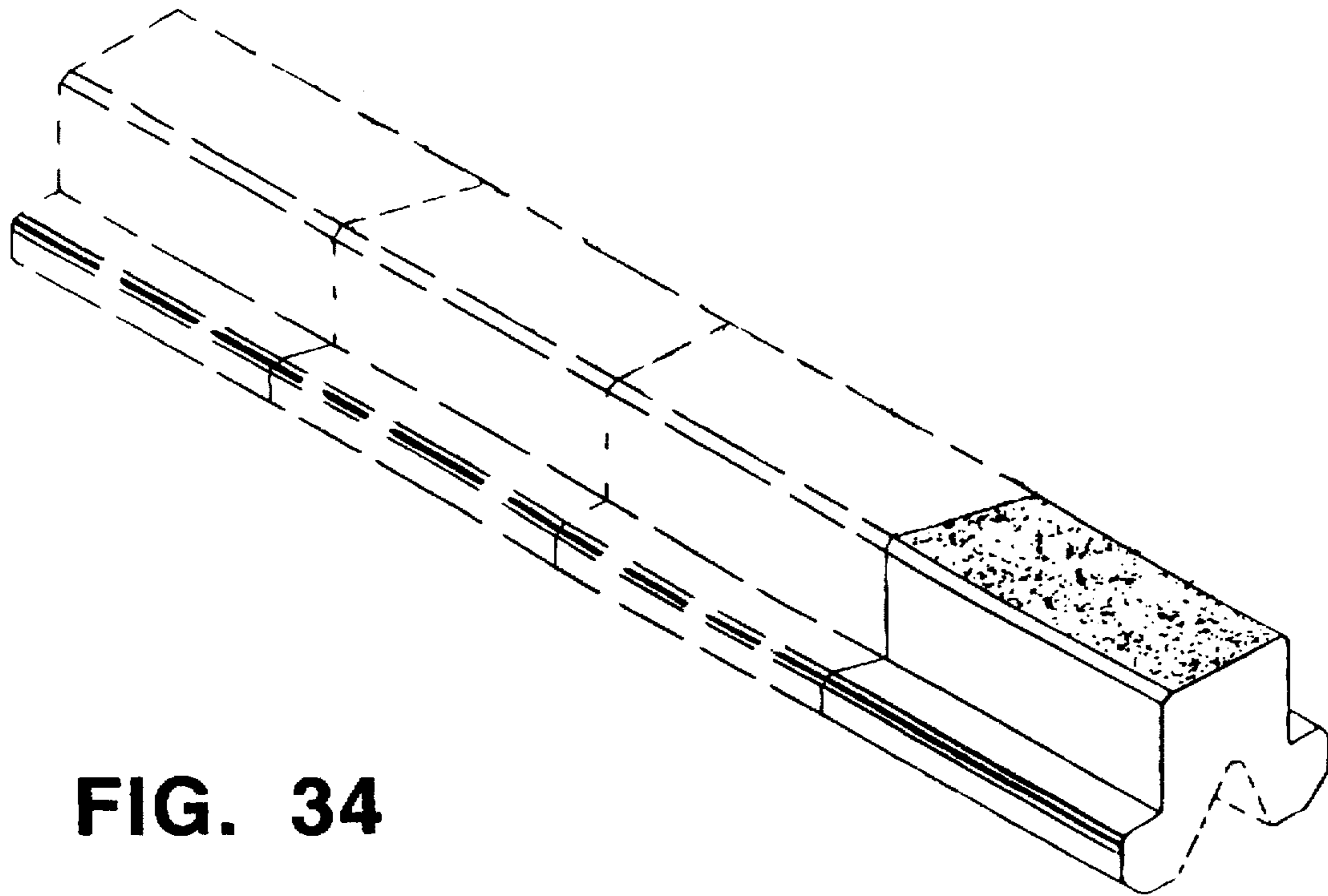


FIG. 34

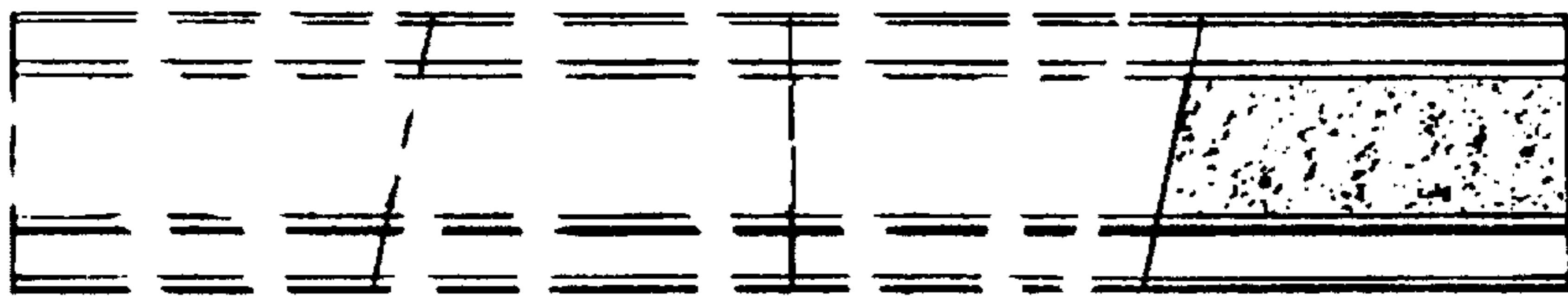


FIG. 35

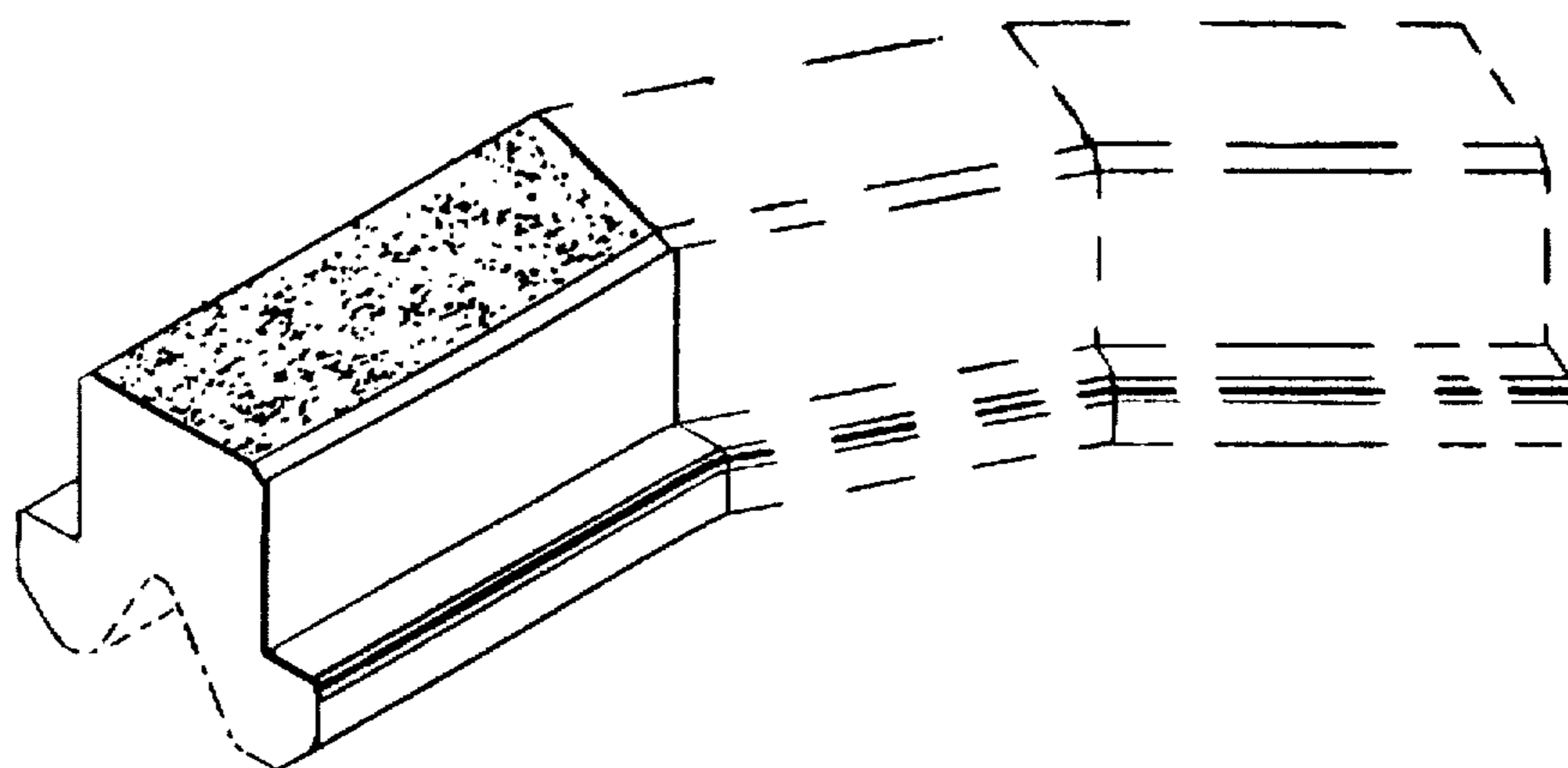


FIG. 36

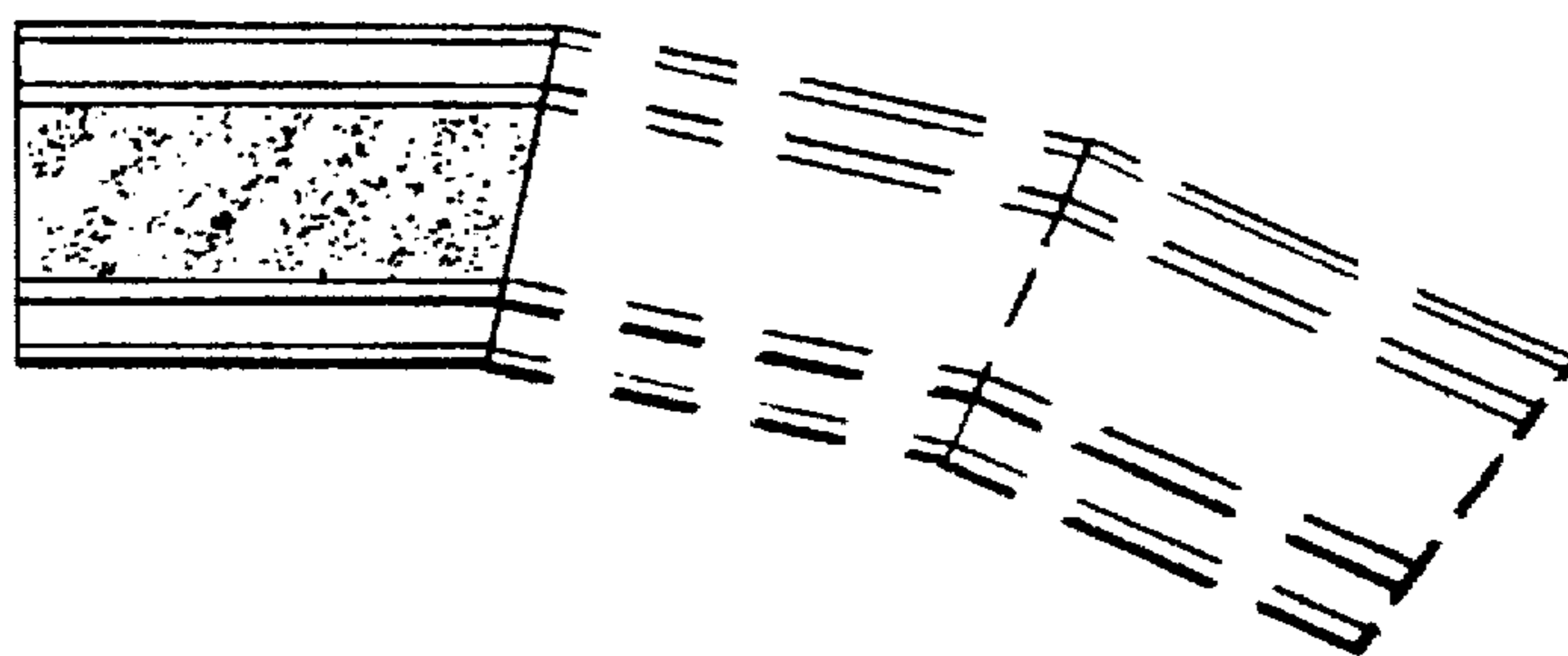


FIG. 37

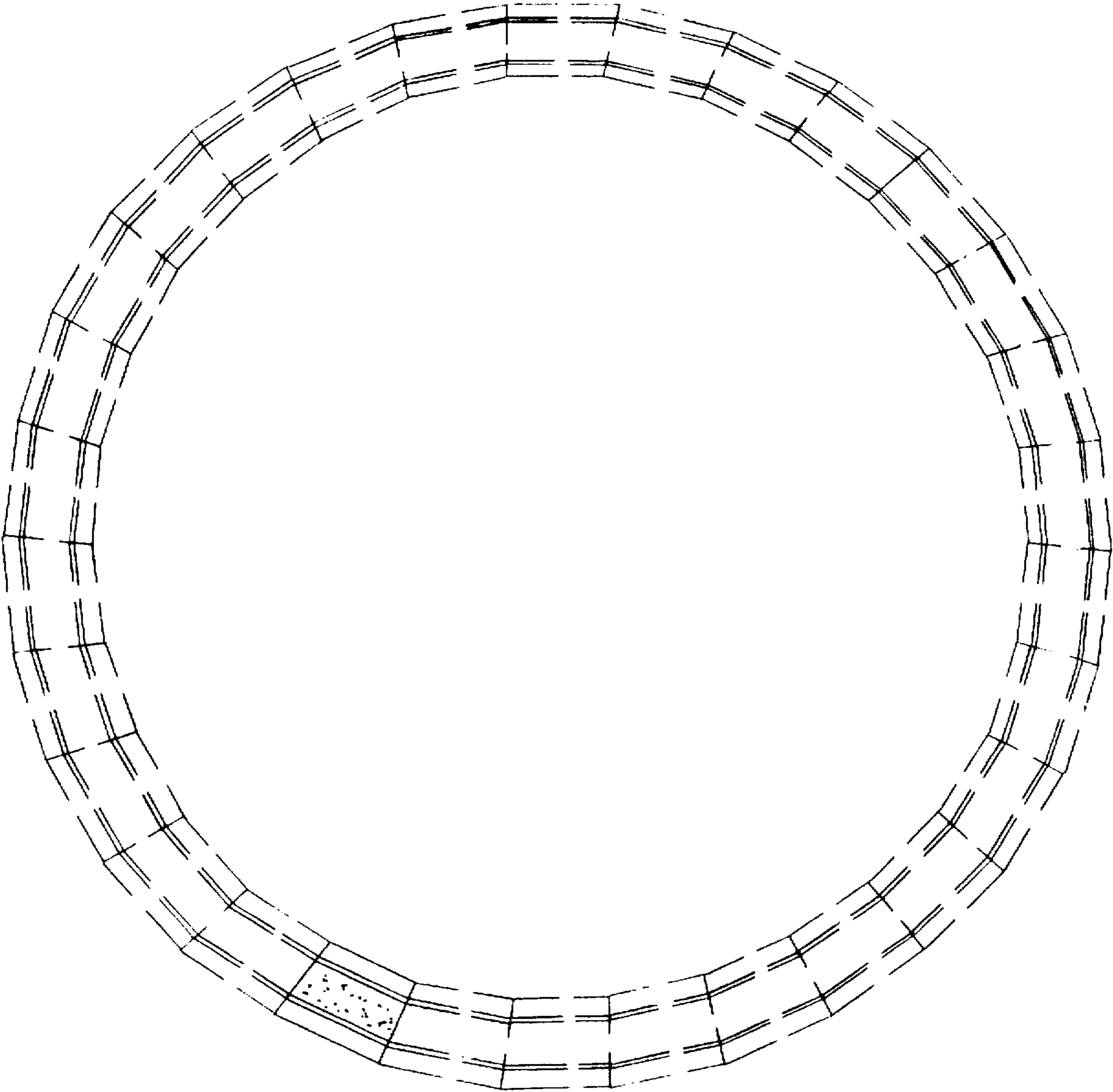


FIG. 38

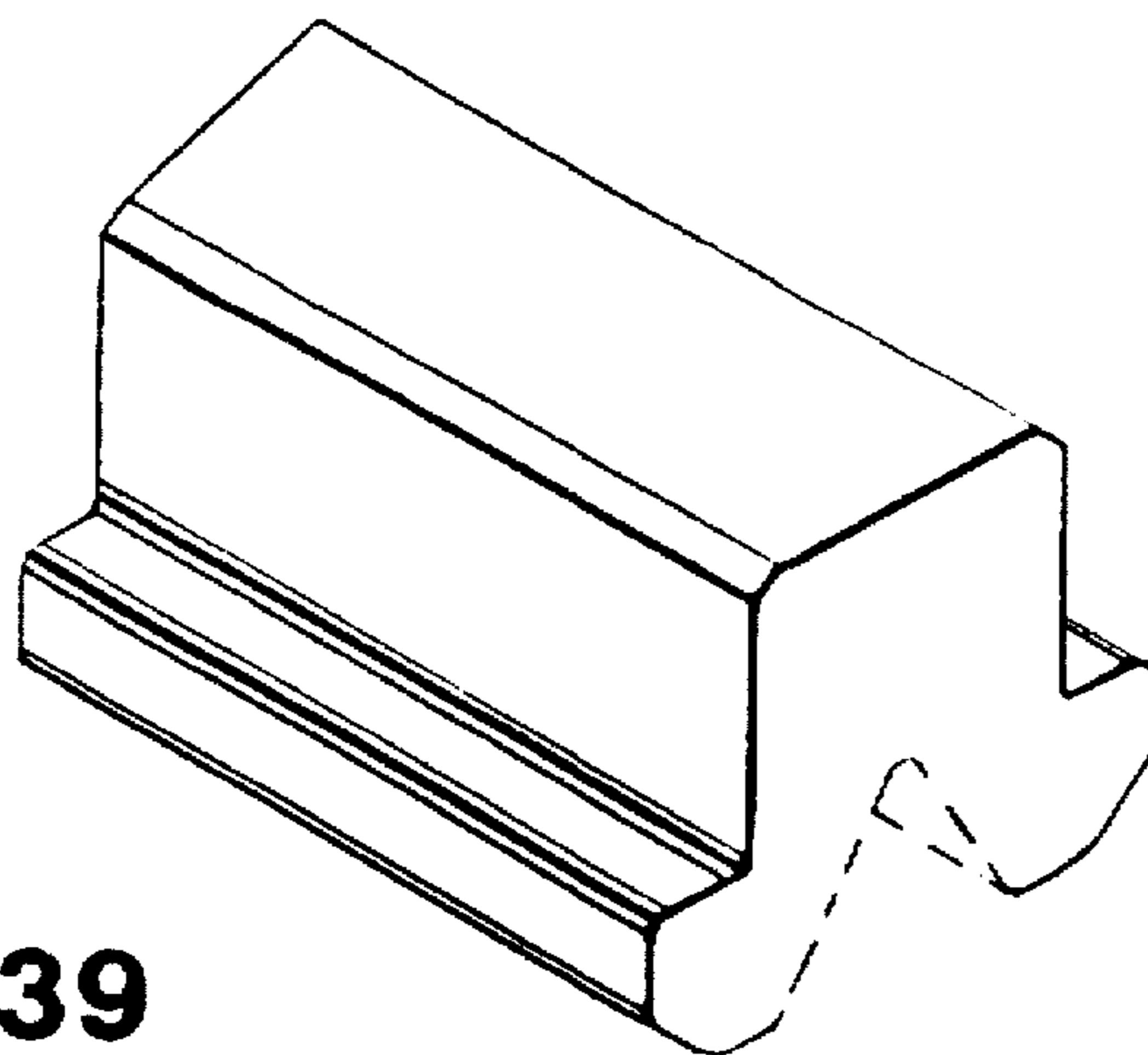


FIG. 39

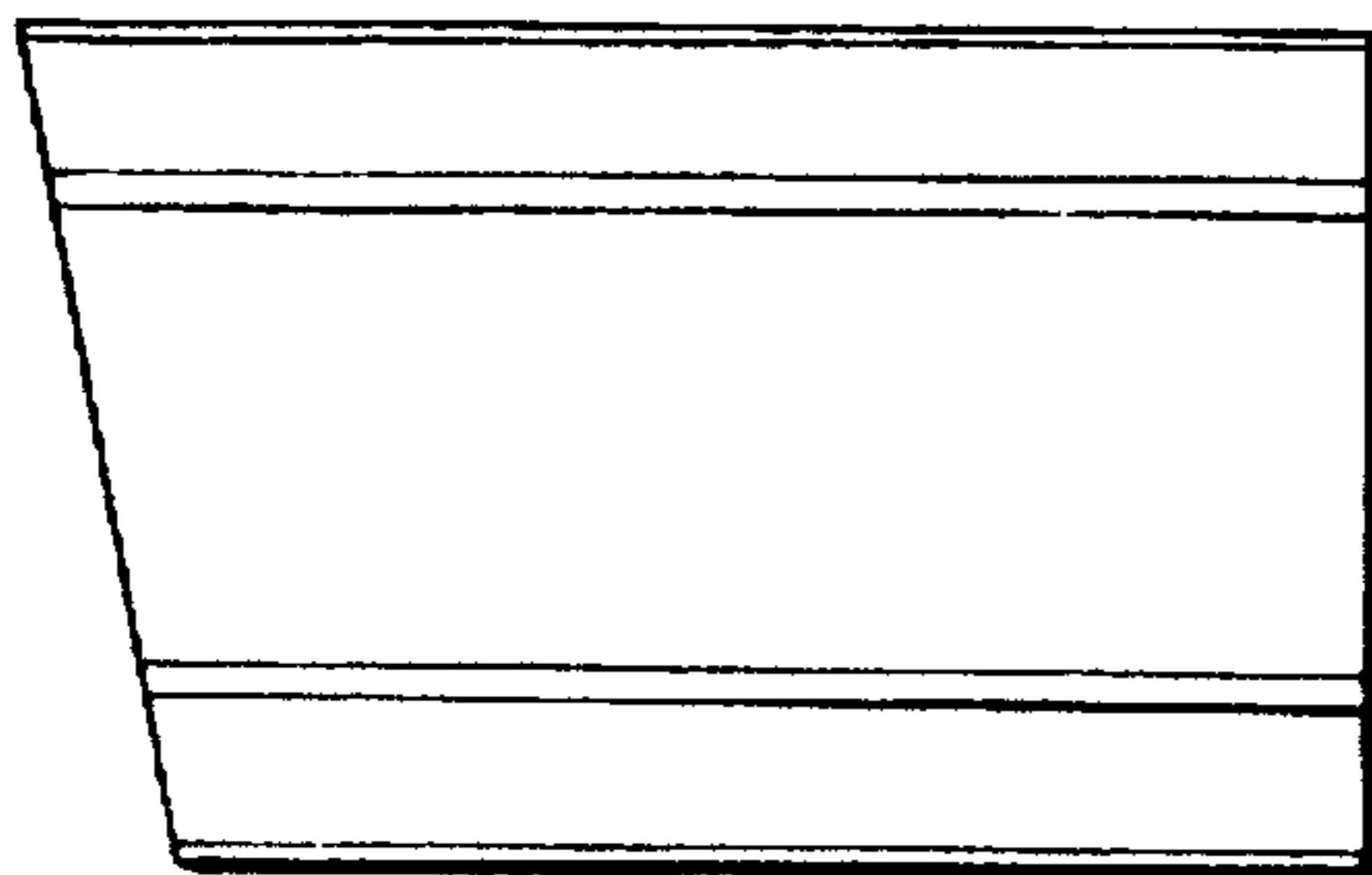


FIG. 40

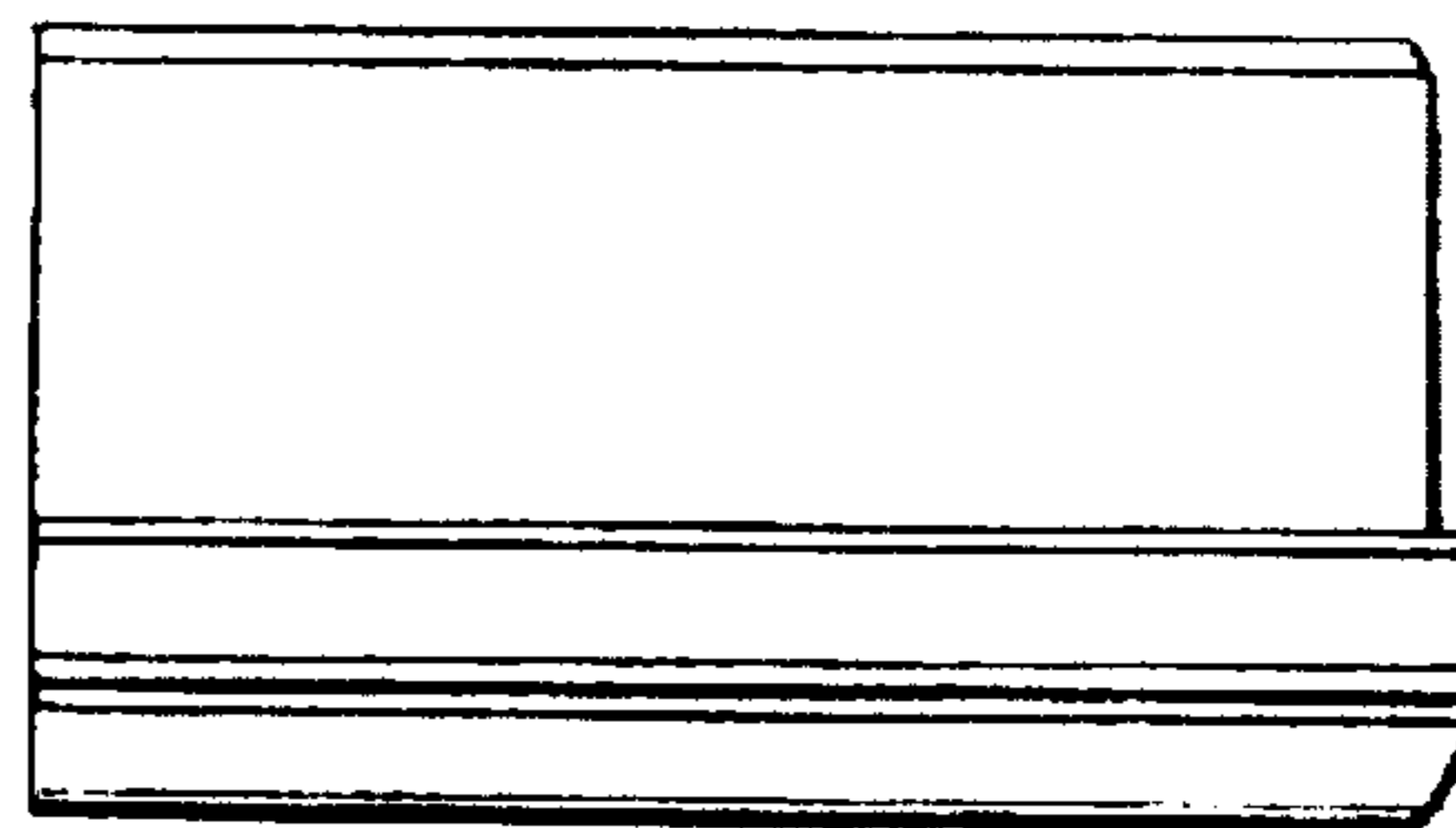


FIG. 42

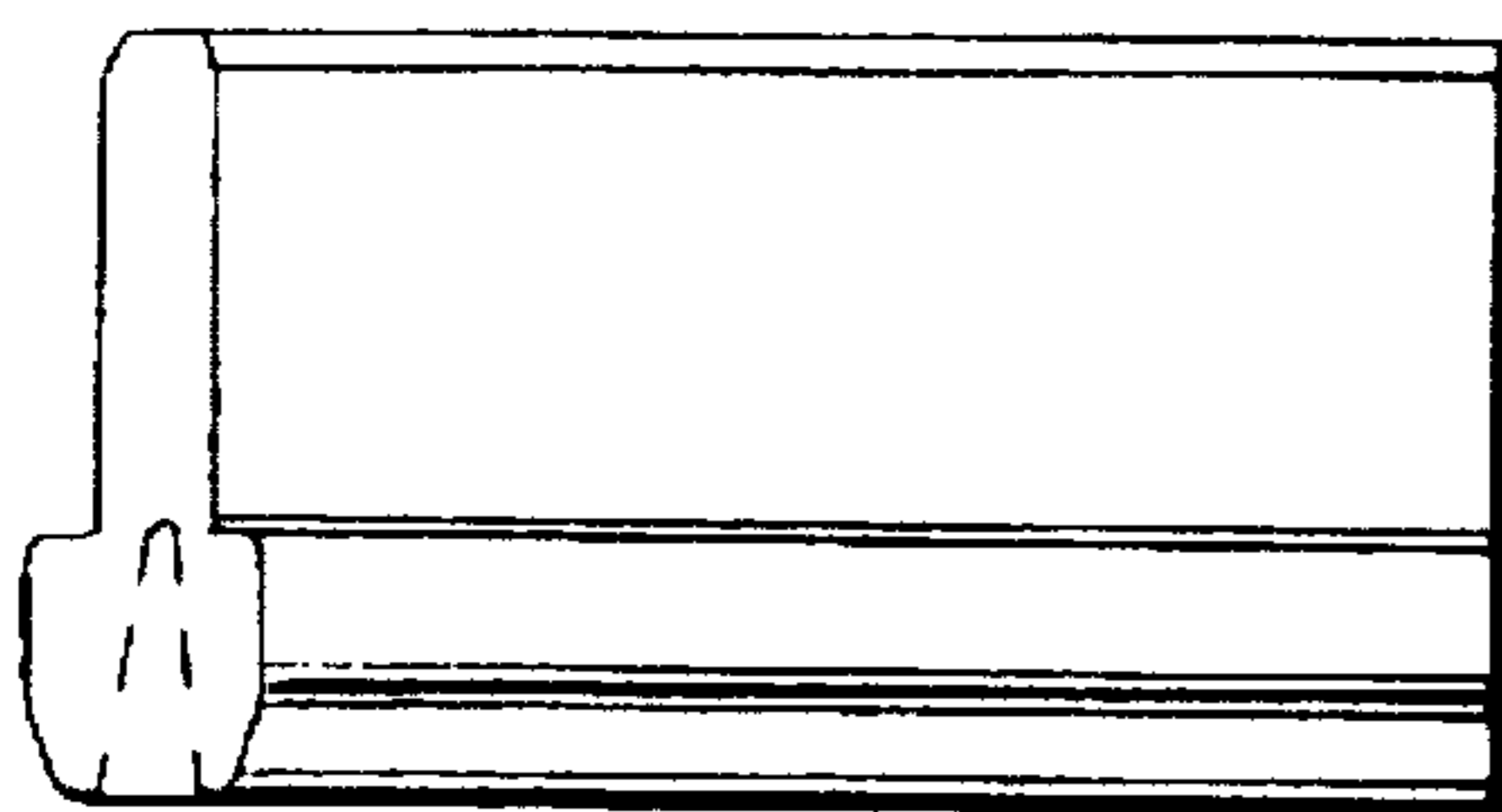


FIG. 41

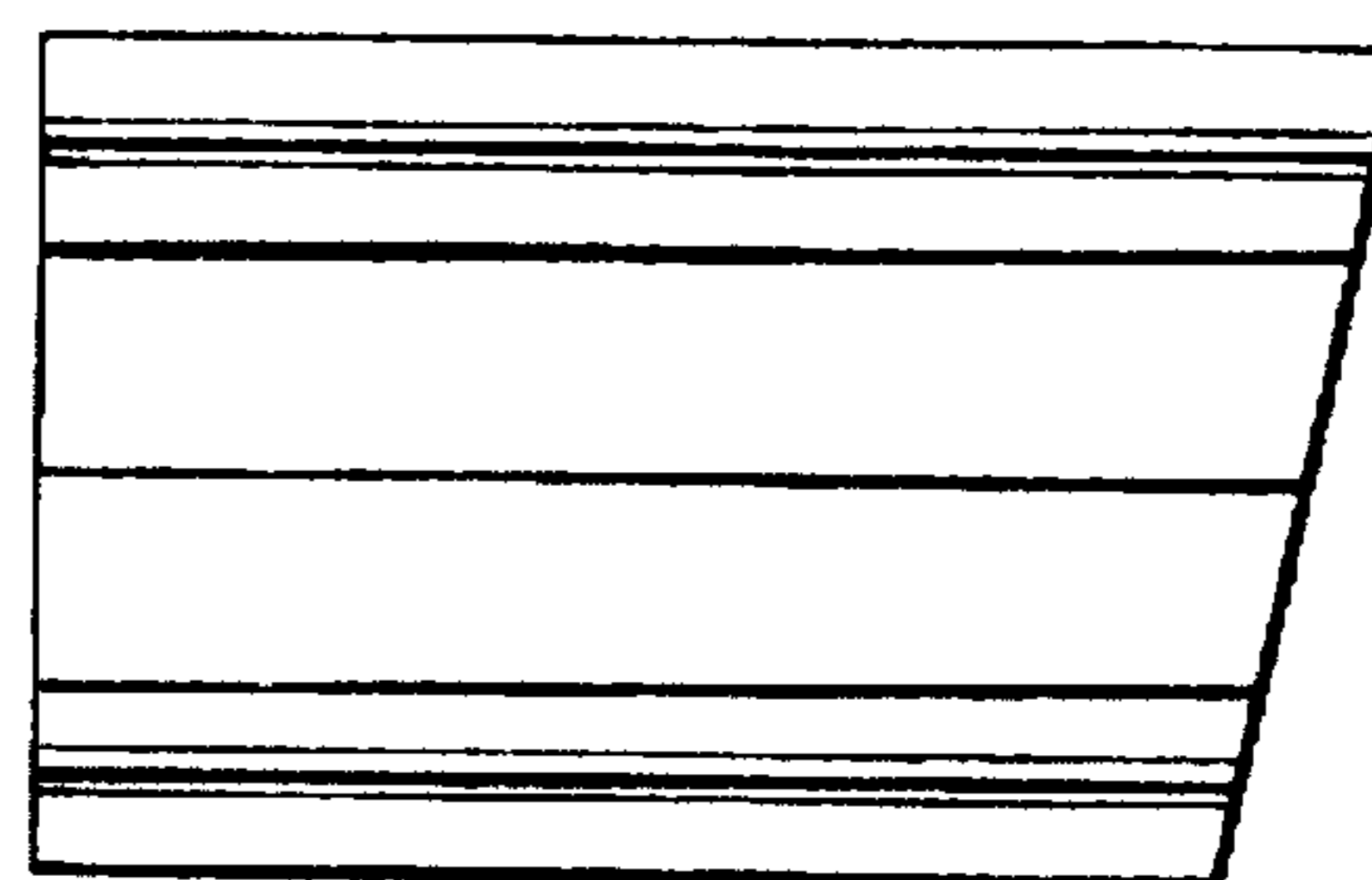


FIG. 43

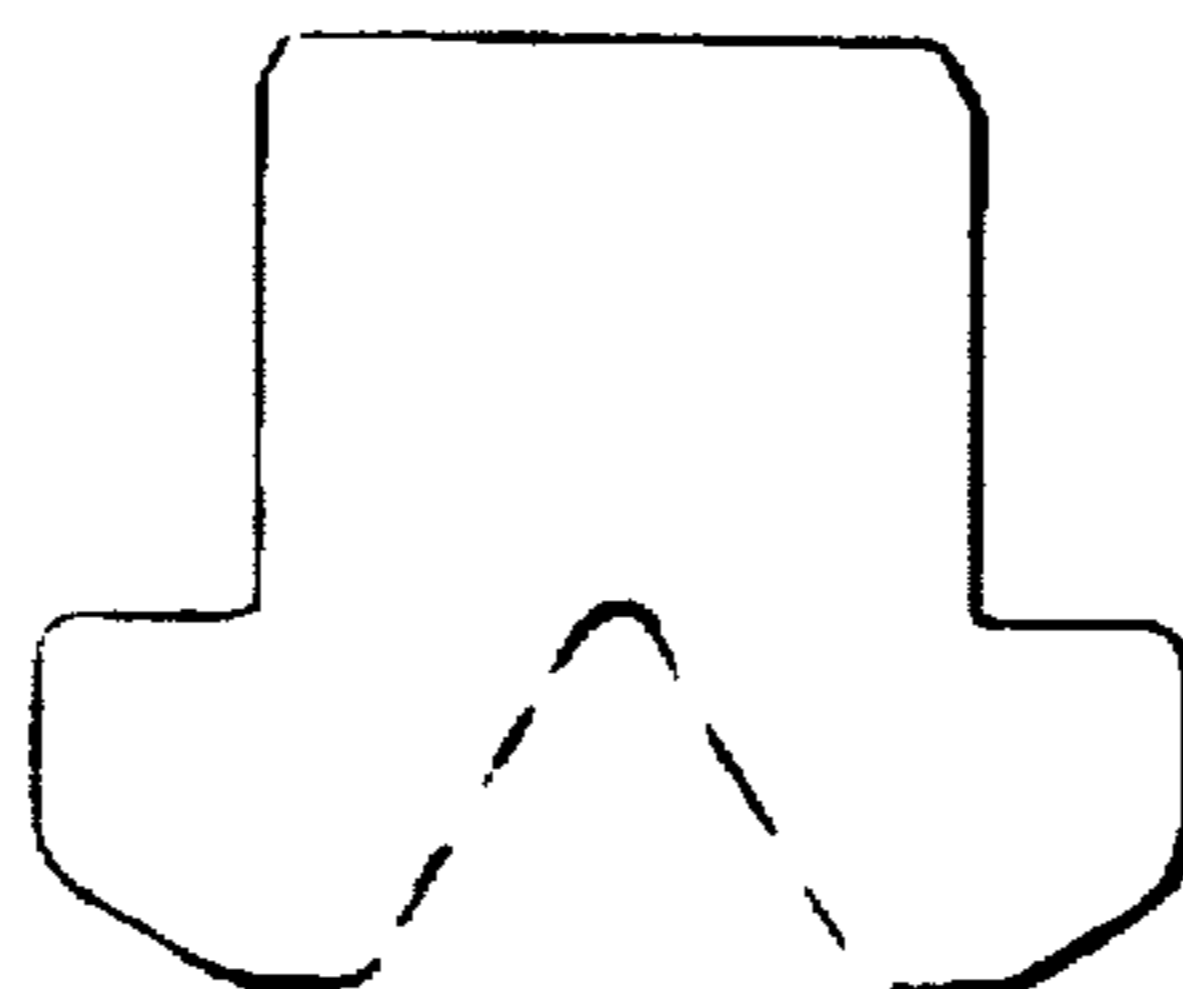


FIG. 44

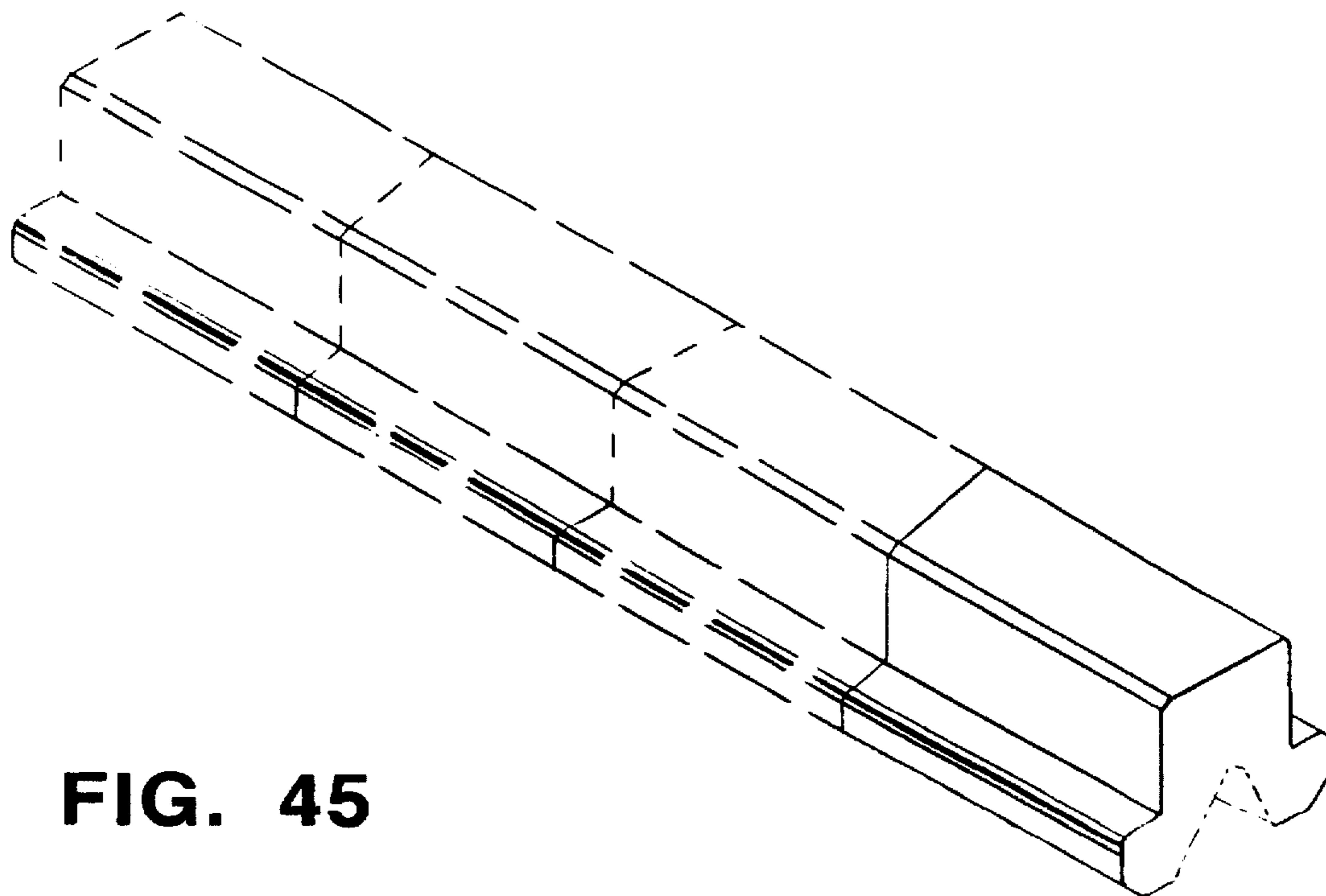


FIG. 45

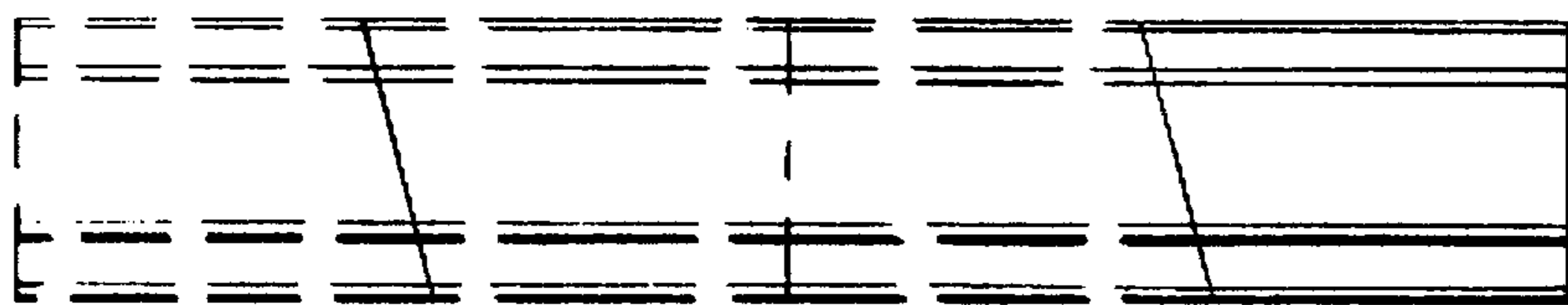


FIG. 46

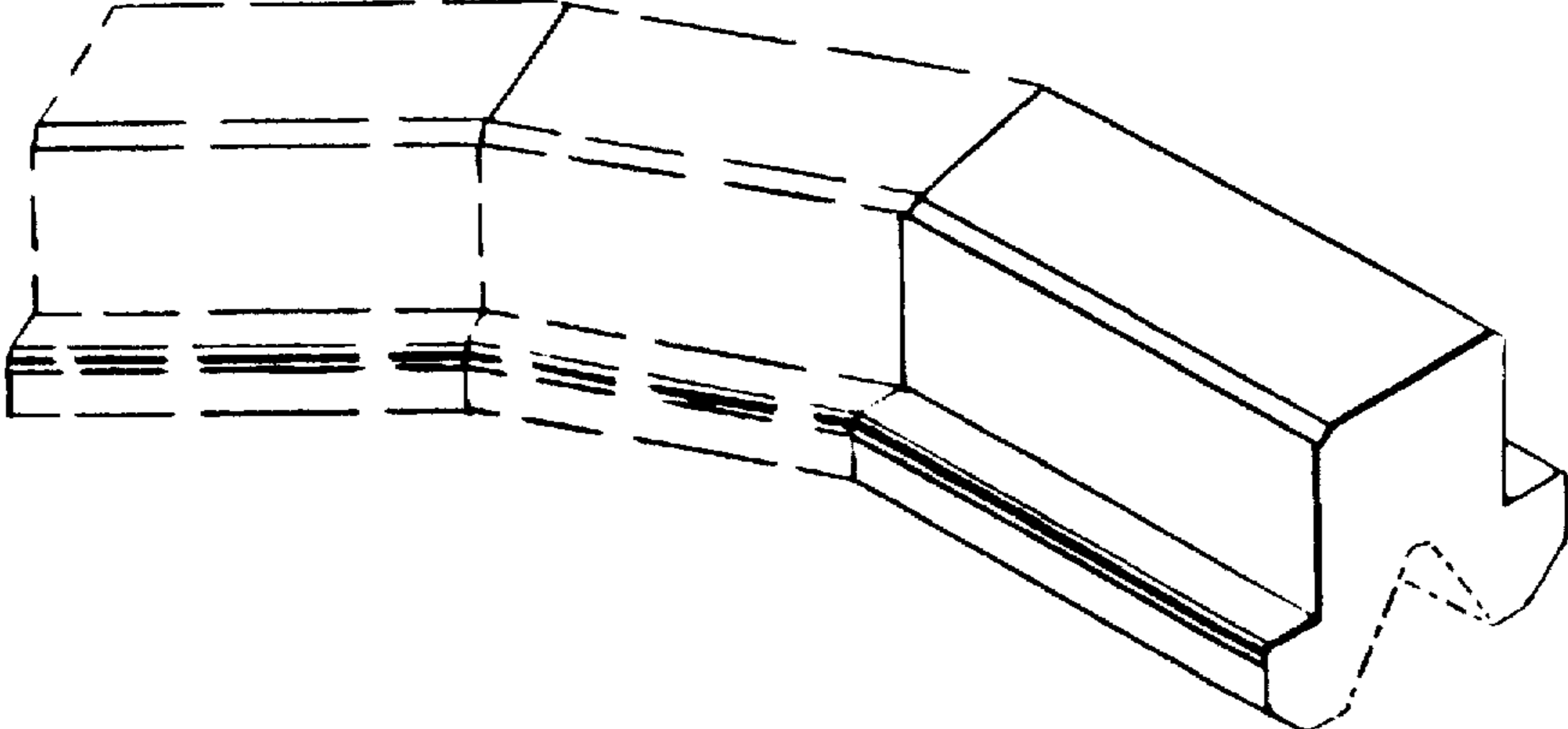


FIG. 47

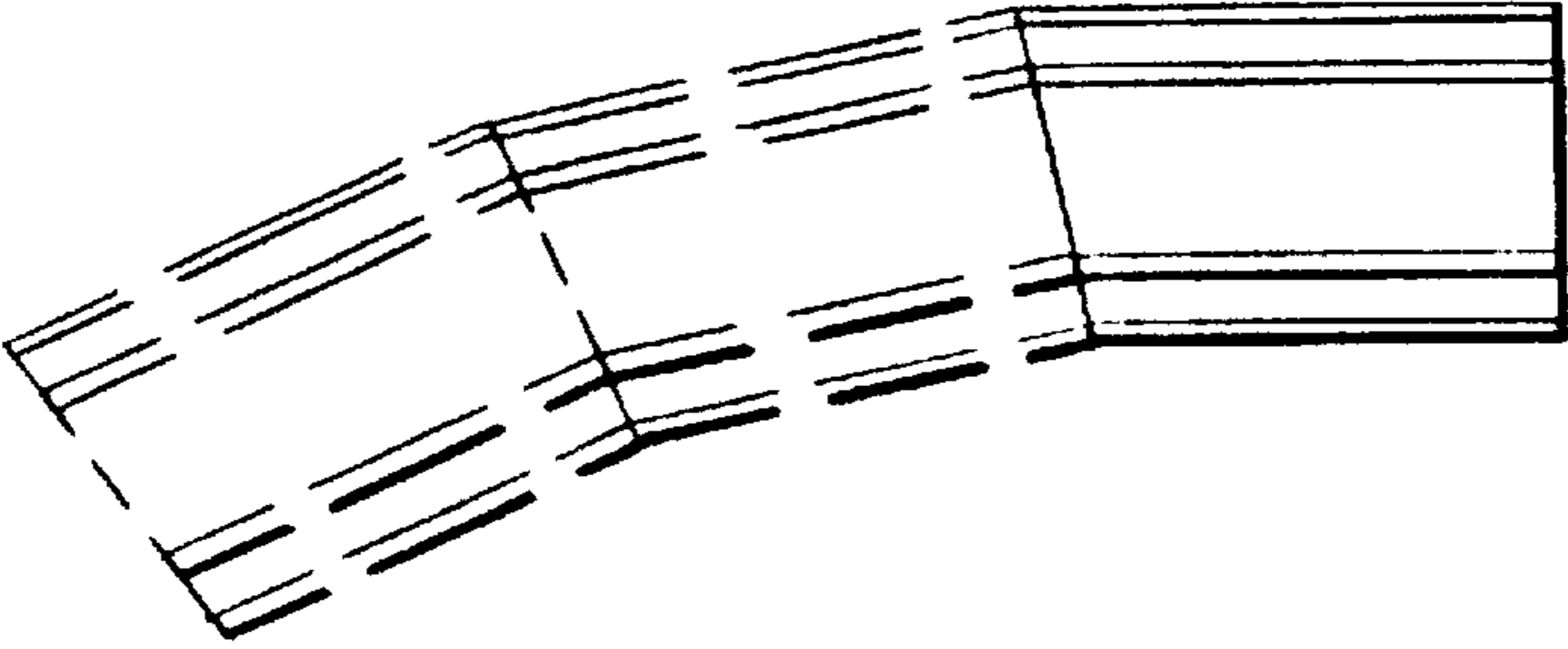


FIG. 48

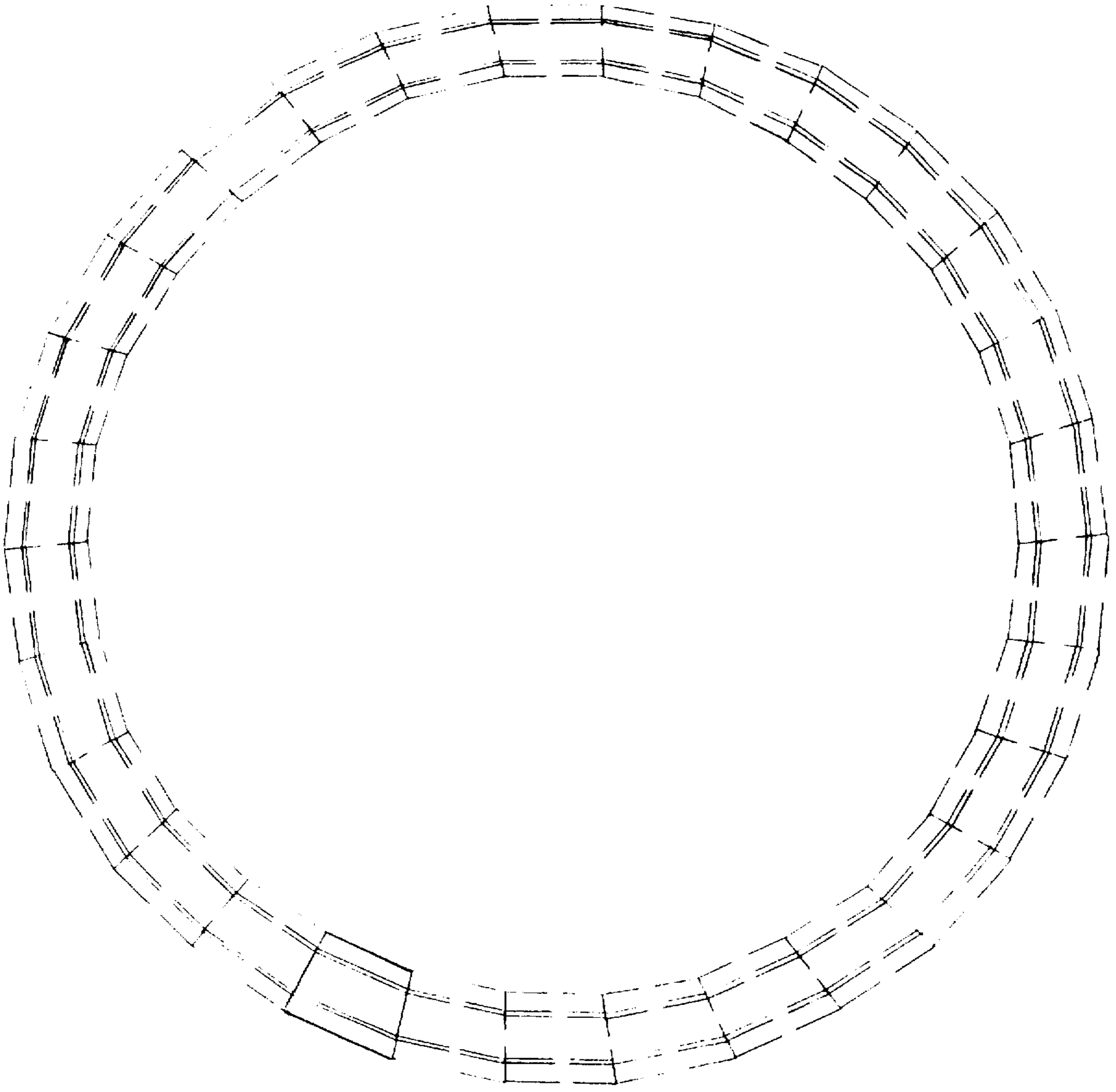


FIG. 49

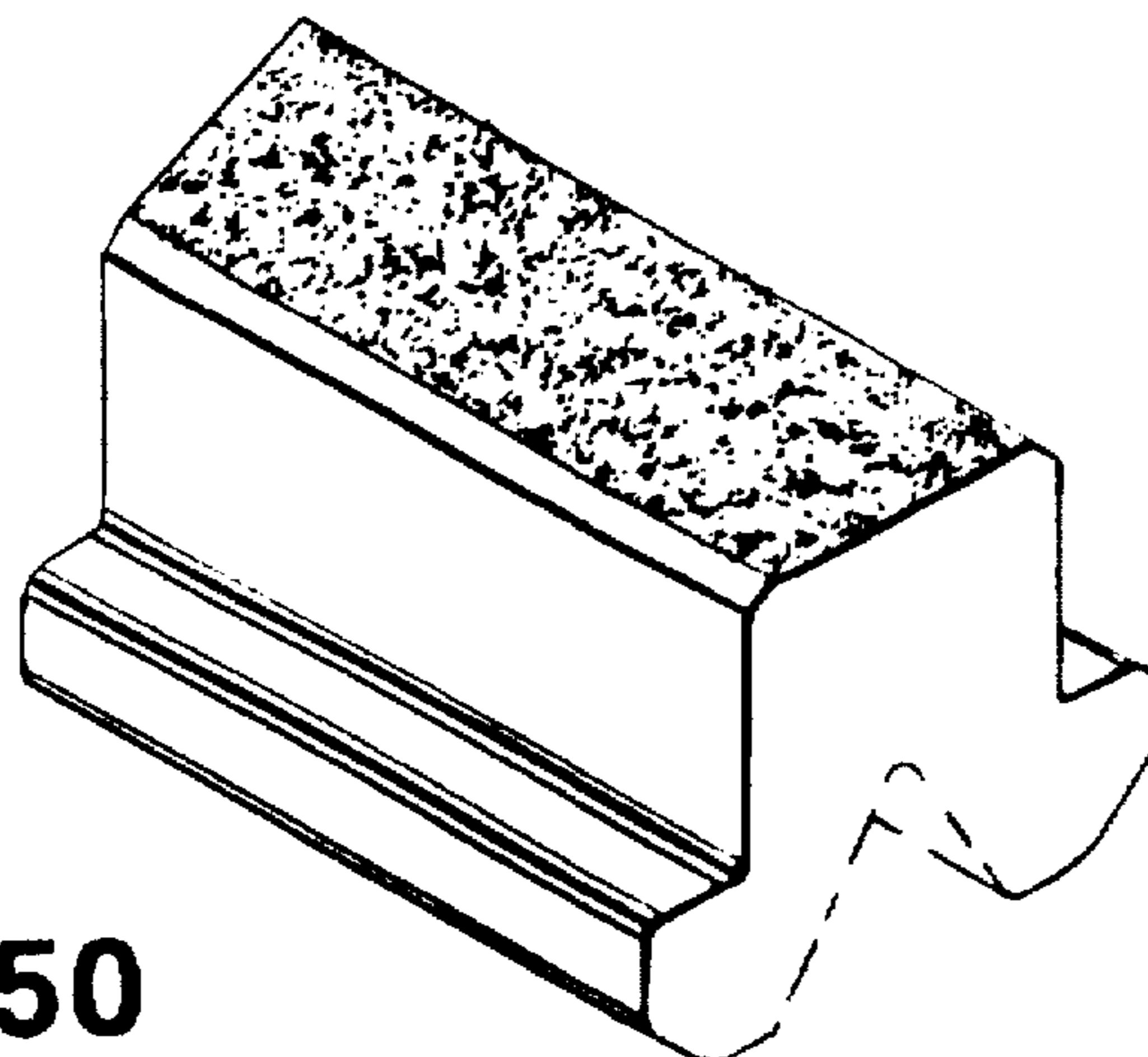


FIG. 50

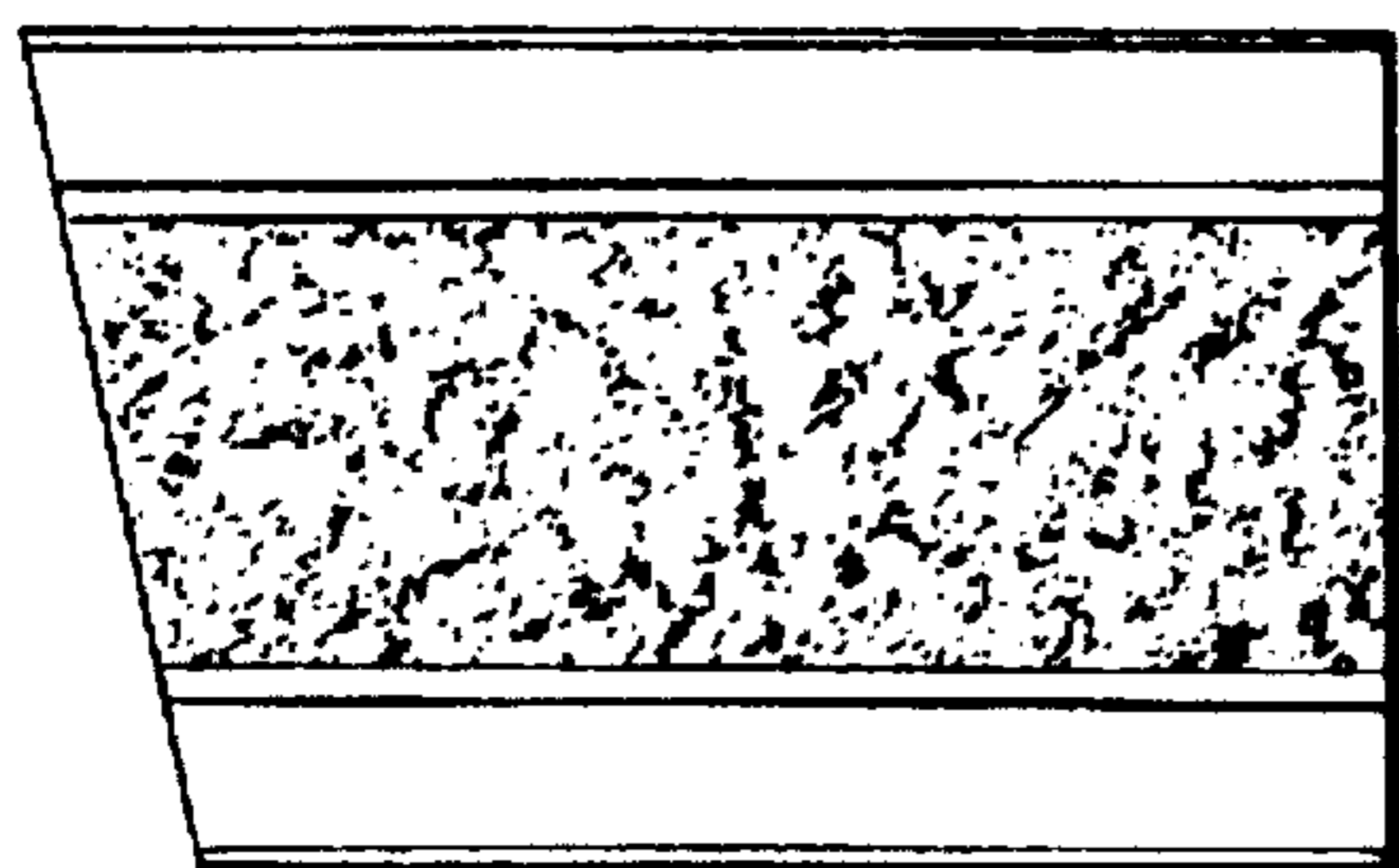


FIG. 51

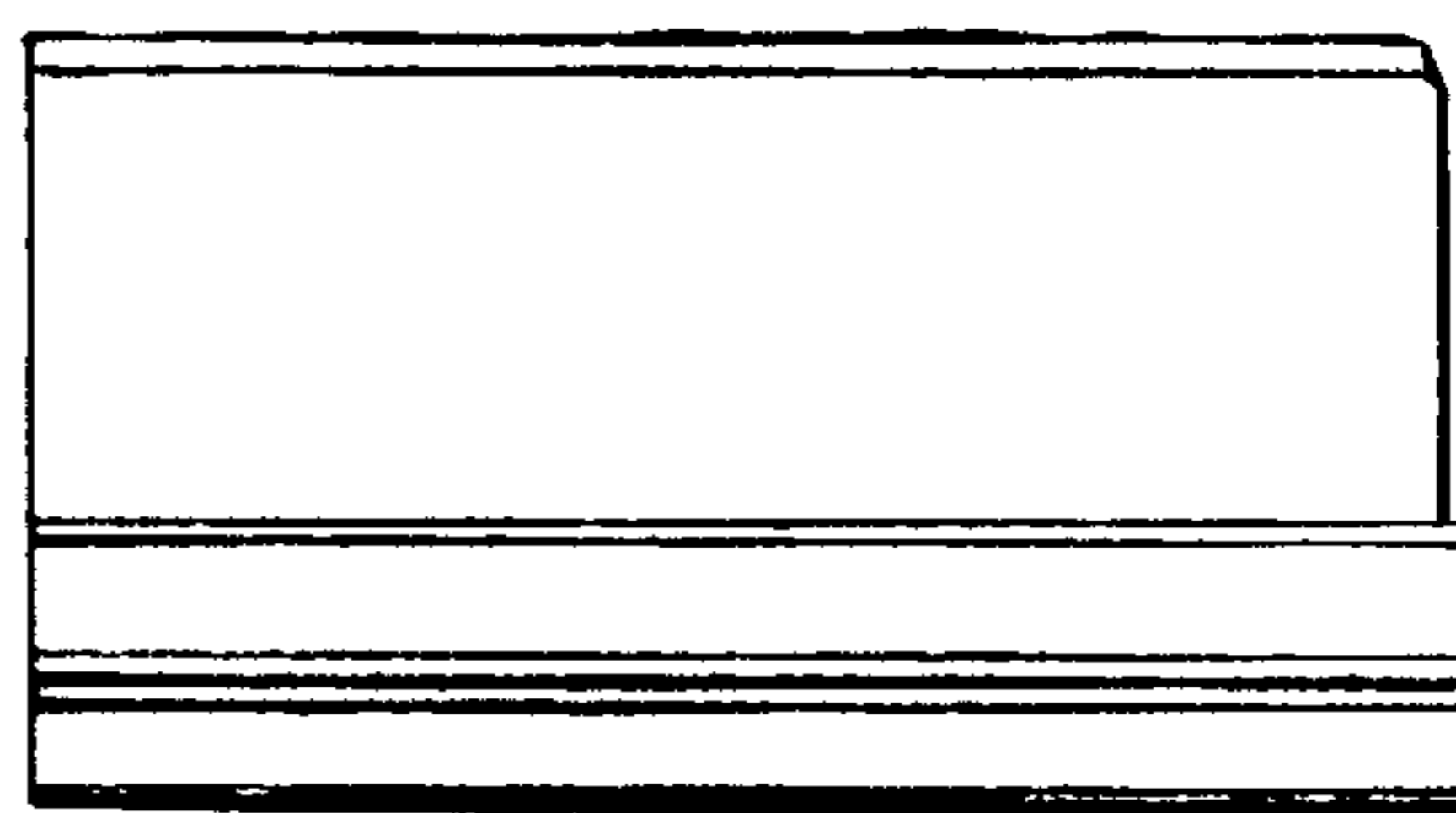


FIG. 53

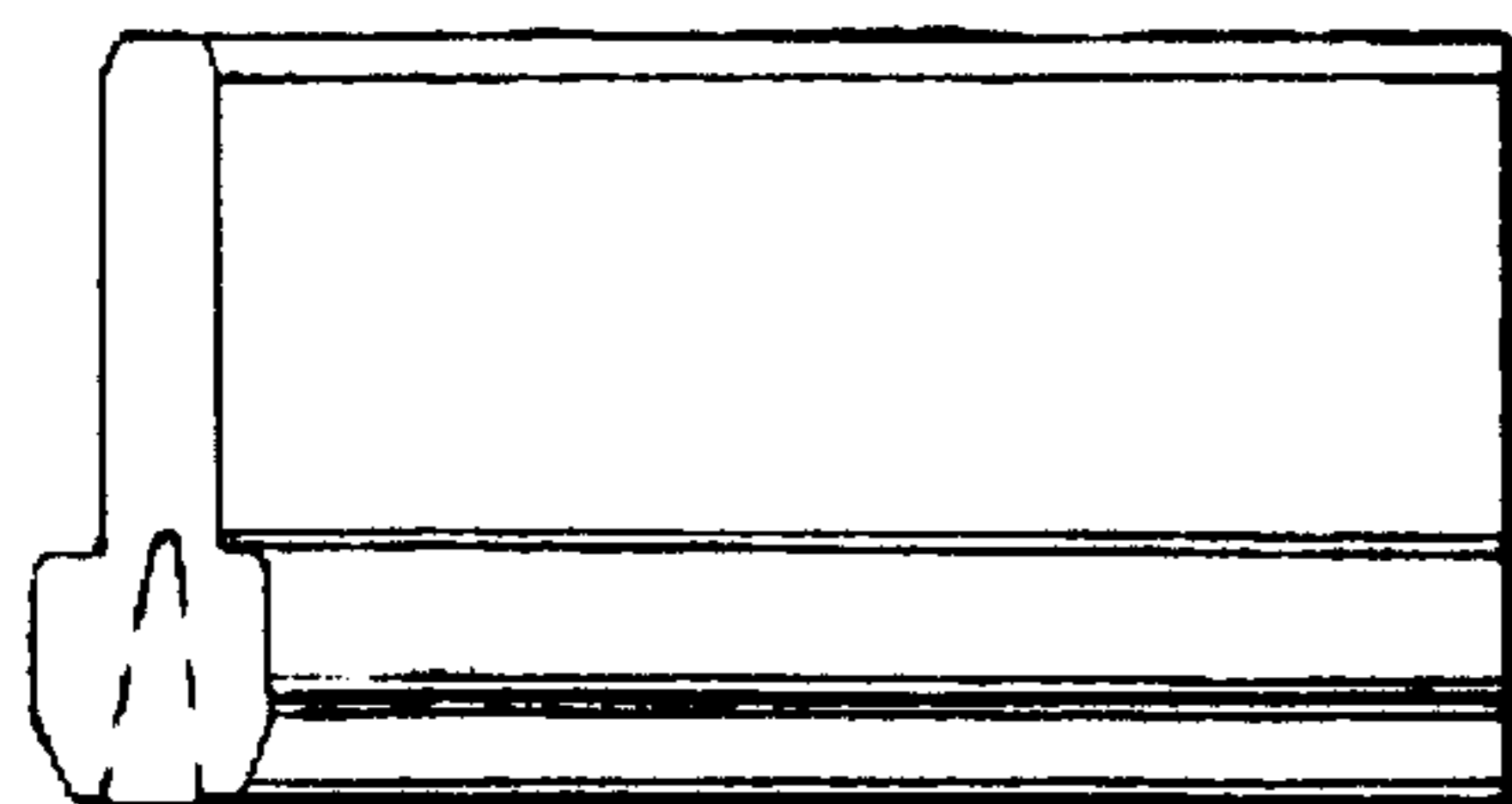


FIG. 52

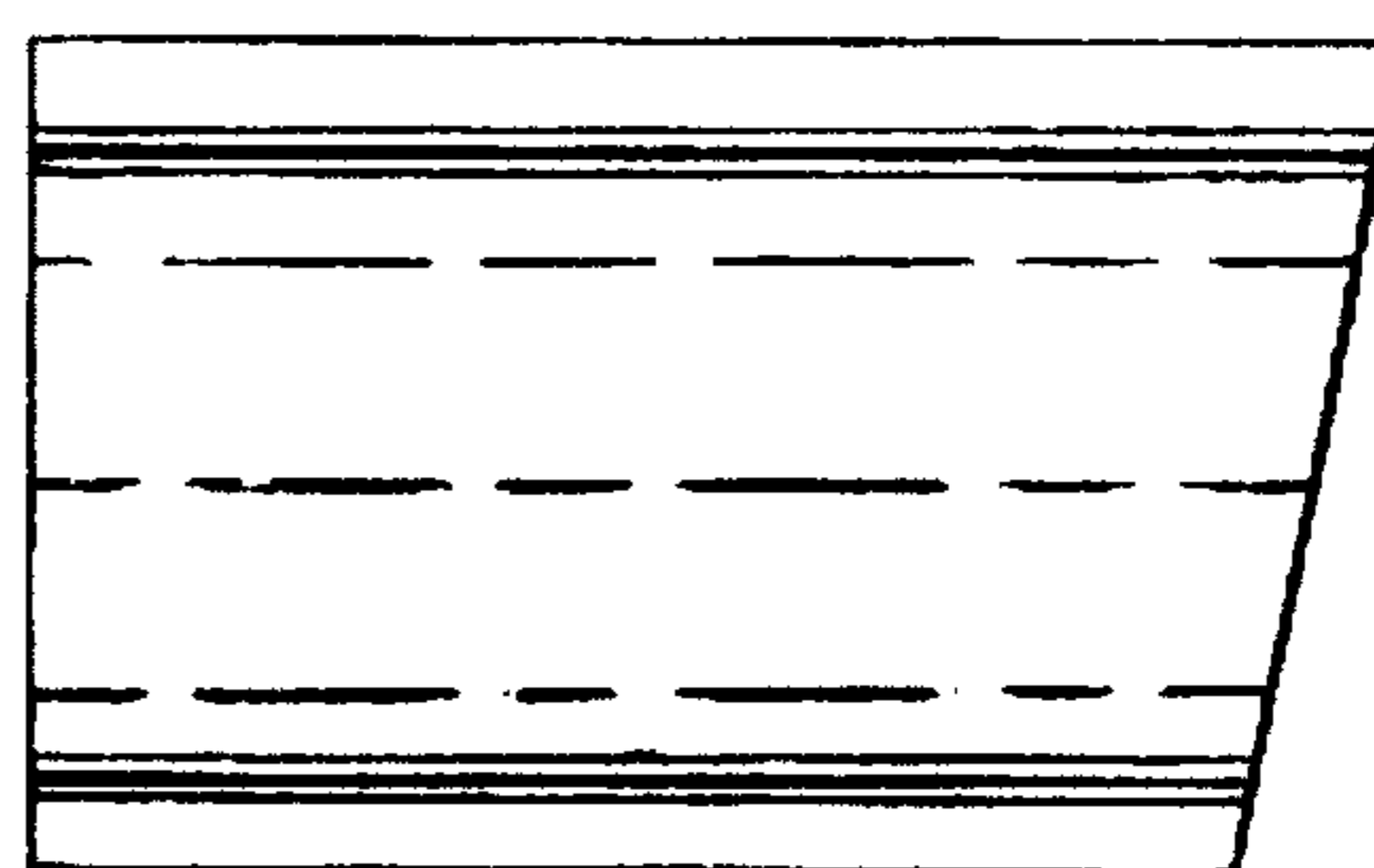


FIG. 54

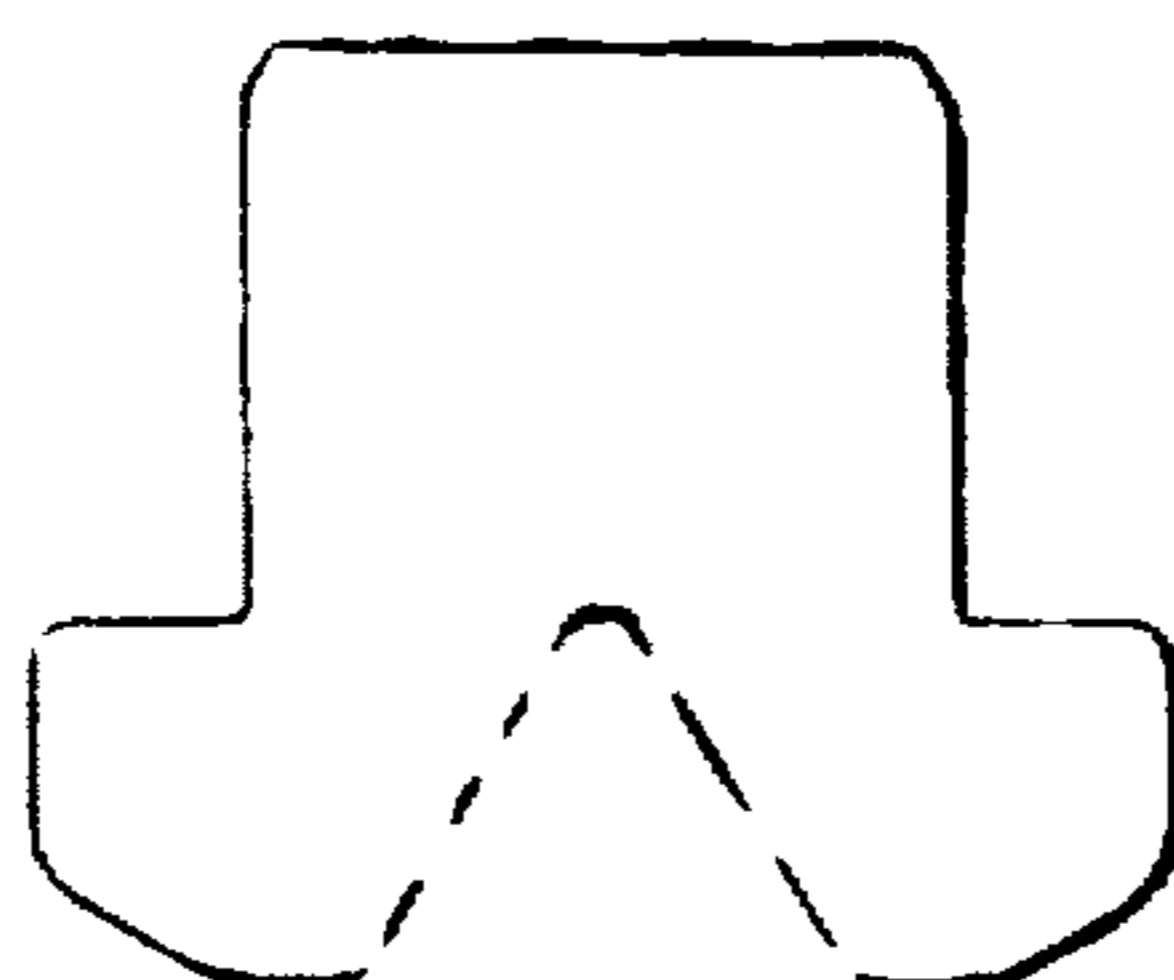


FIG. 55

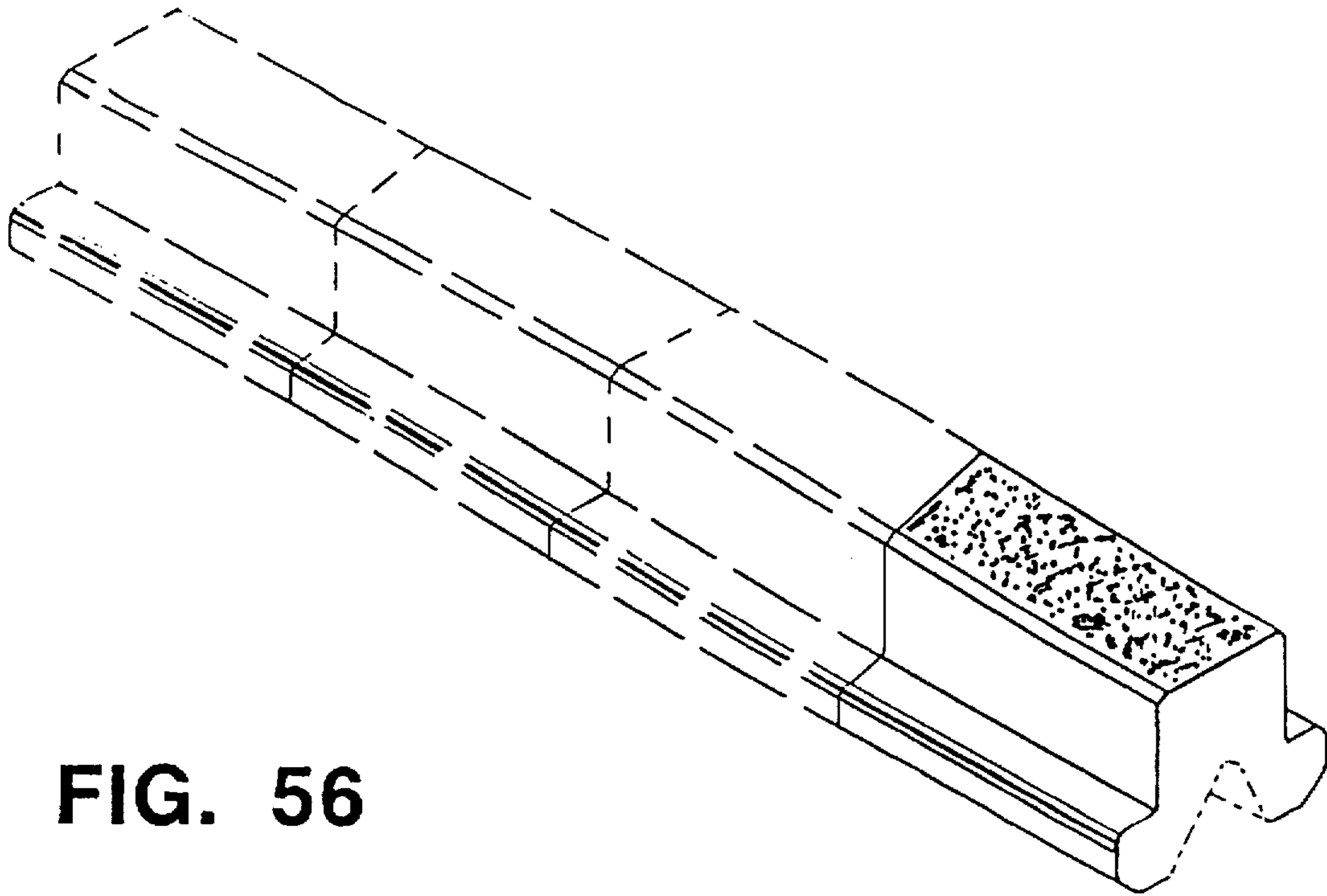


FIG. 56

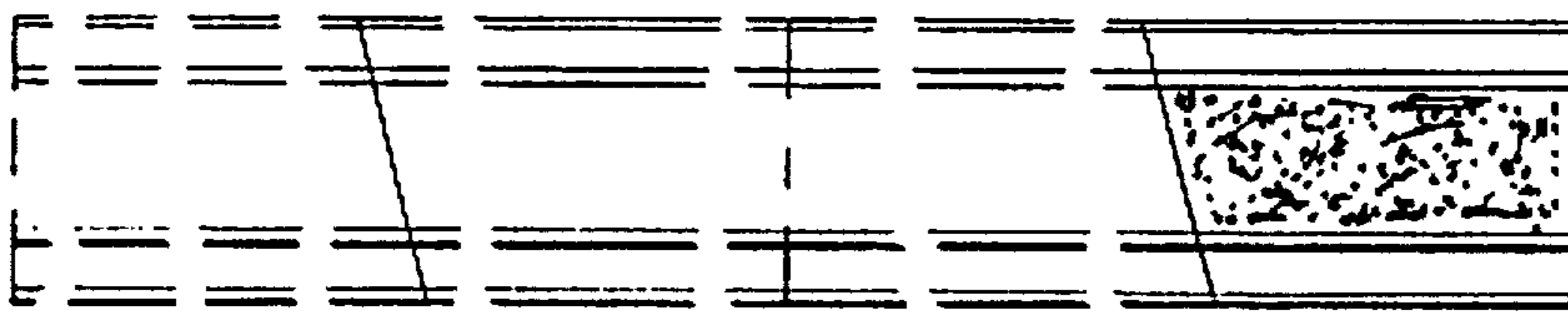


FIG. 57

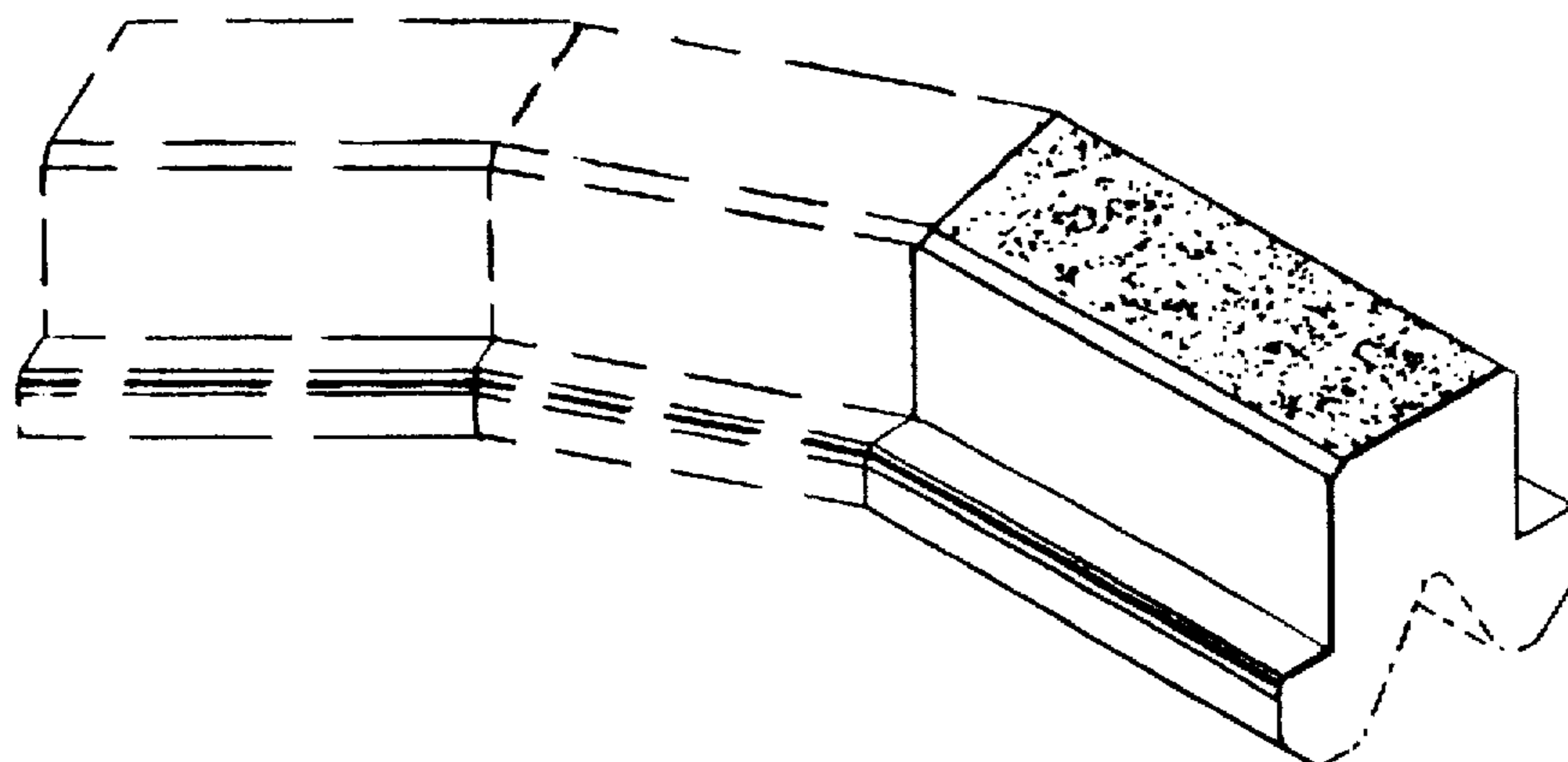


FIG. 58

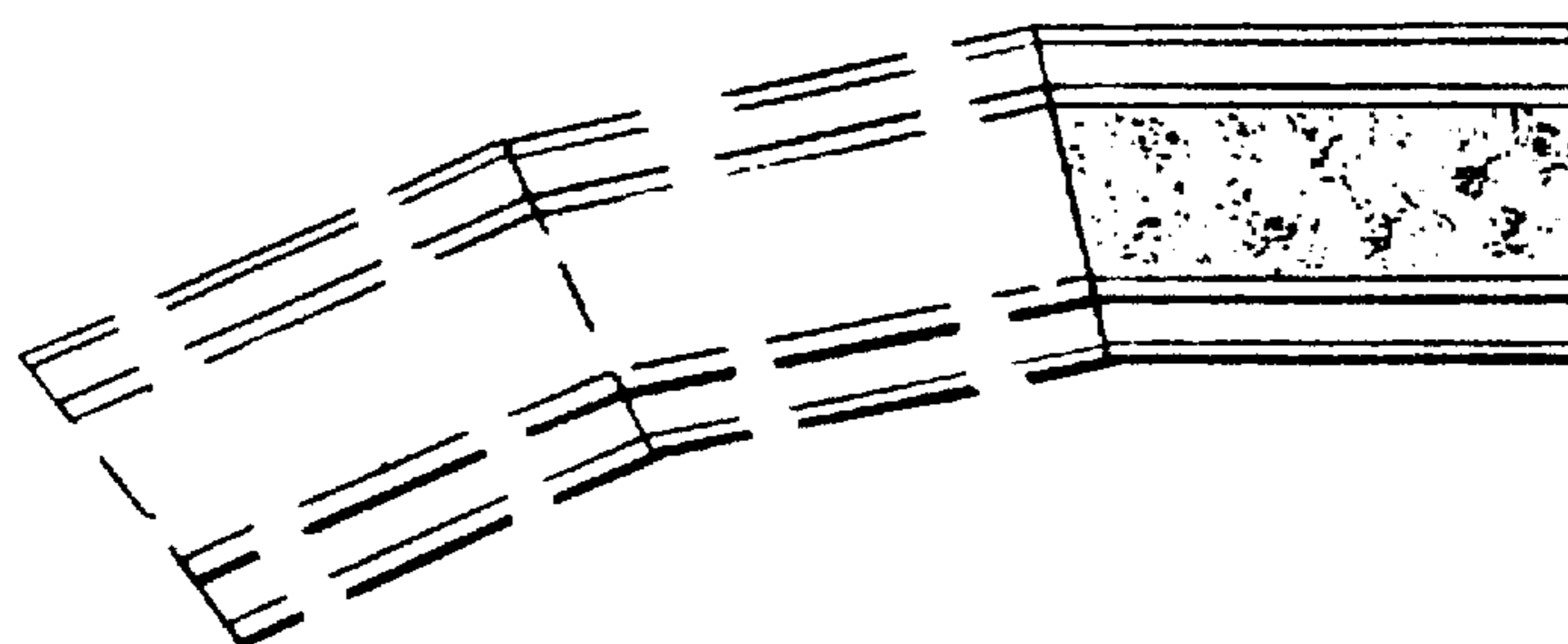


FIG. 59

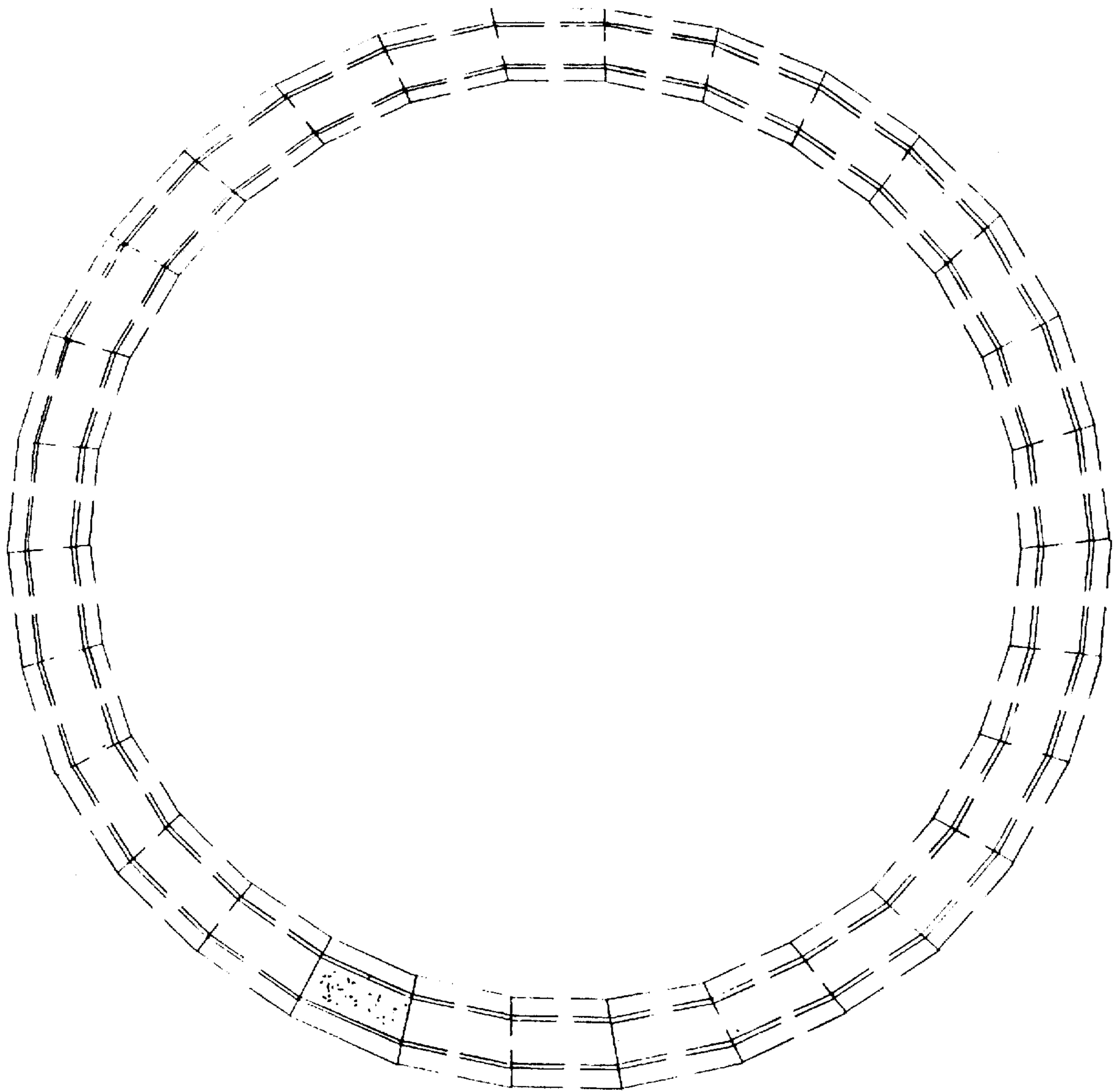


FIG. 60

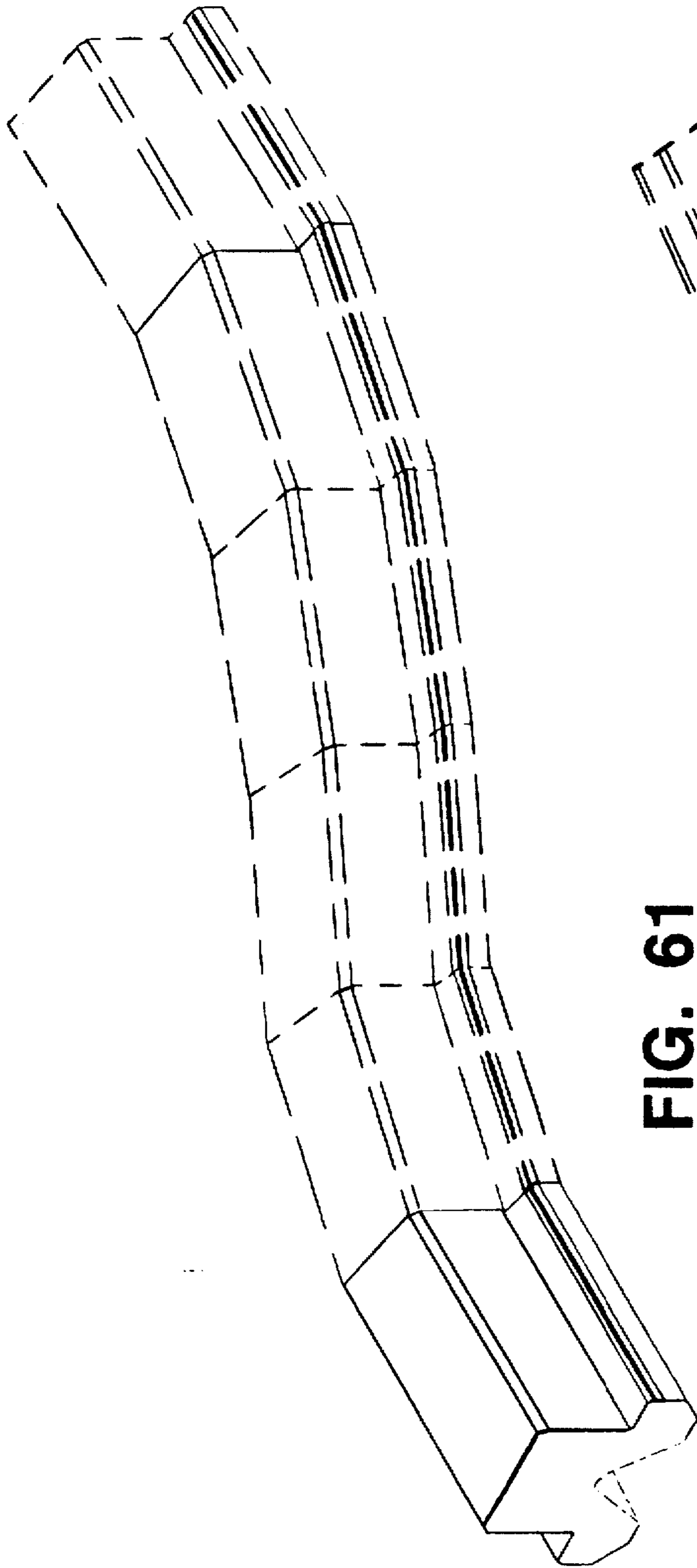


FIG. 61

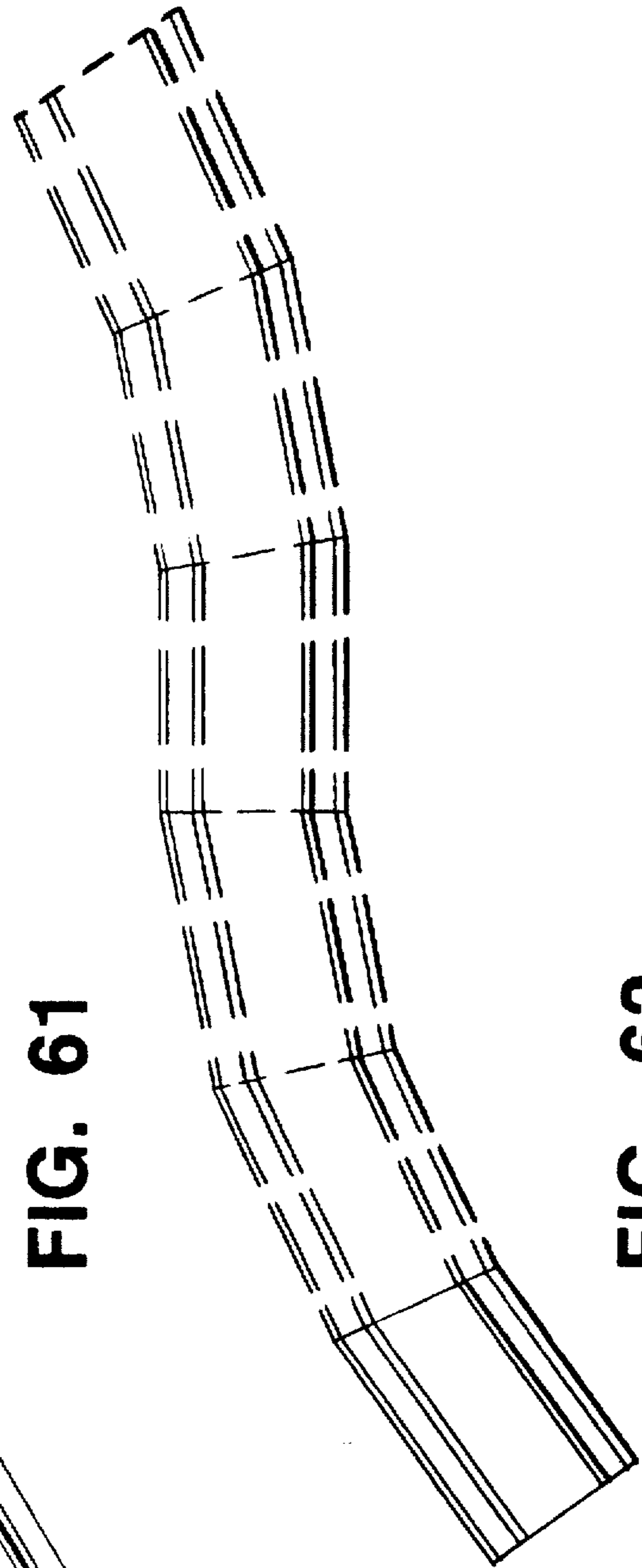


FIG. 62

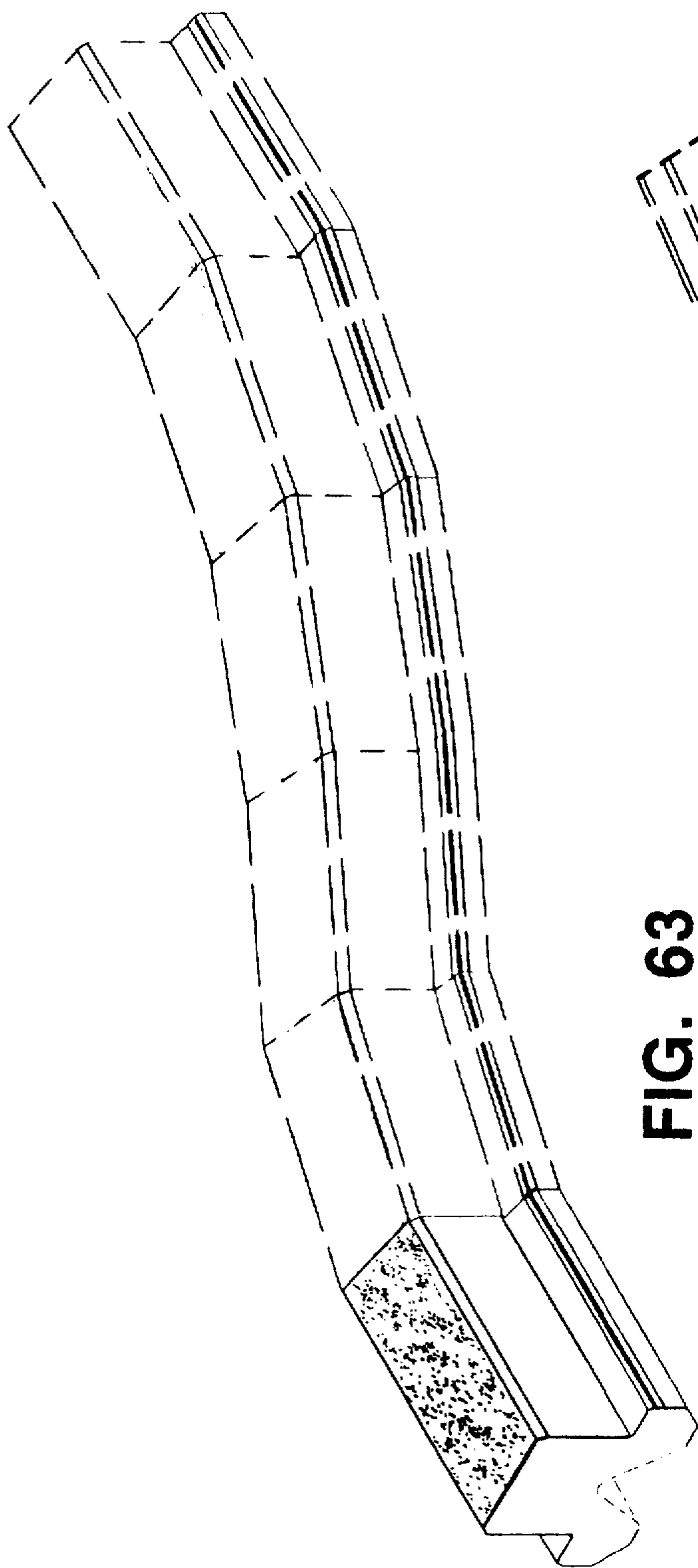


FIG. 63

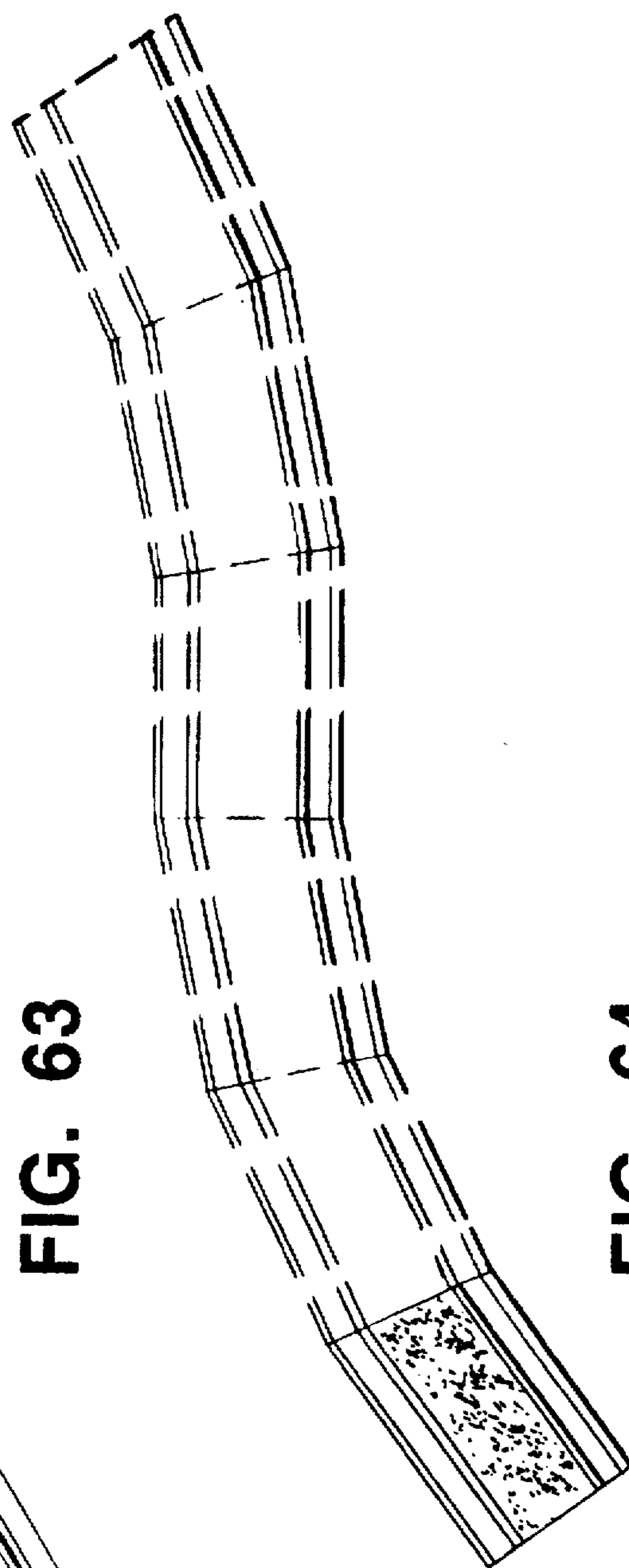


FIG. 64