



US00D397807S

United States Patent [19]

Hart

[11] Patent Number: **Des. 397,807**

[45] Date of Patent: ****Sep. 1, 1998**

[54] WINDOW OR DOOR FRAME COMPONENT

[75] Inventor: **Keith Hart**, Newmarket, Canada

[73] Assignee: **Majestic Plastics Ltd.**, Weston, Canada

[**] Term: **14 Years**

[21] Appl. No.: **74,655**

[22] Filed: **Aug. 8, 1997**

[51] LOC (6) Cl. **25-01**

[52] U.S. Cl. **D25/124**

[58] Field of Search D25/52, 119-125,
D25/60; 49/504, DIG. 2, 501, 407-408;
52/204.5

[56] **References Cited**

U.S. PATENT DOCUMENTS

D. 336,527 6/1993 Cole D25/124

D. 353,895 12/1994 Dallaire et al. D25/124
3,859,754 1/1975 Budich et al. 52/204.5
4,676,026 6/1987 Schremer 49/504

Primary Examiner—Doris Clark

[57] **CLAIM**

The ornamental design for a window or door frame component, as shown and described.

DESCRIPTION

FIG. 1 is a perspective view of the window or door frame component; and,

FIG. 2 is an end view of the window or door frame component.

The window or door frame component of FIG. 1 is broken away to indicate indefinite length.

1 Claim, 1 Drawing Sheet

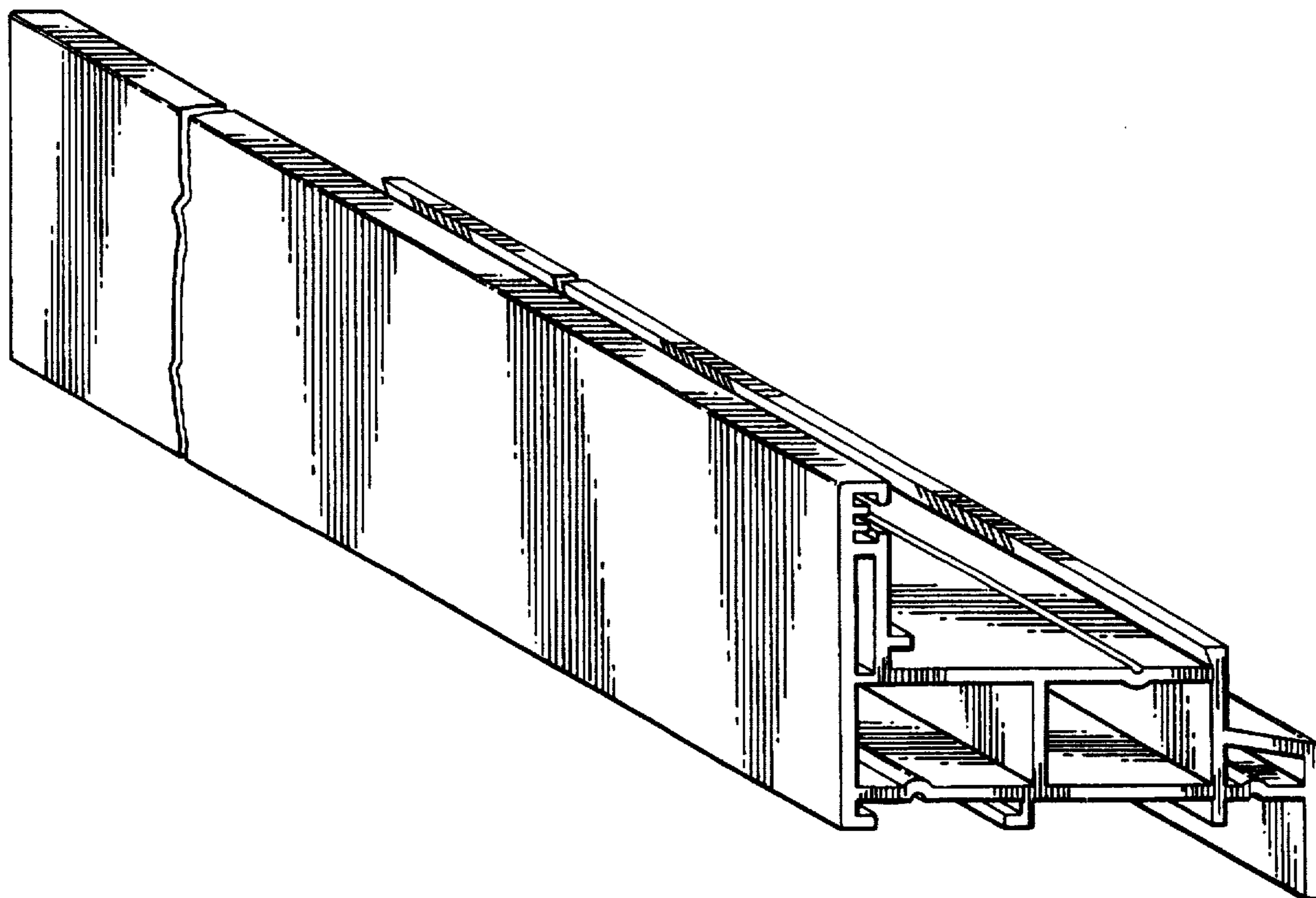


FIG. 1.

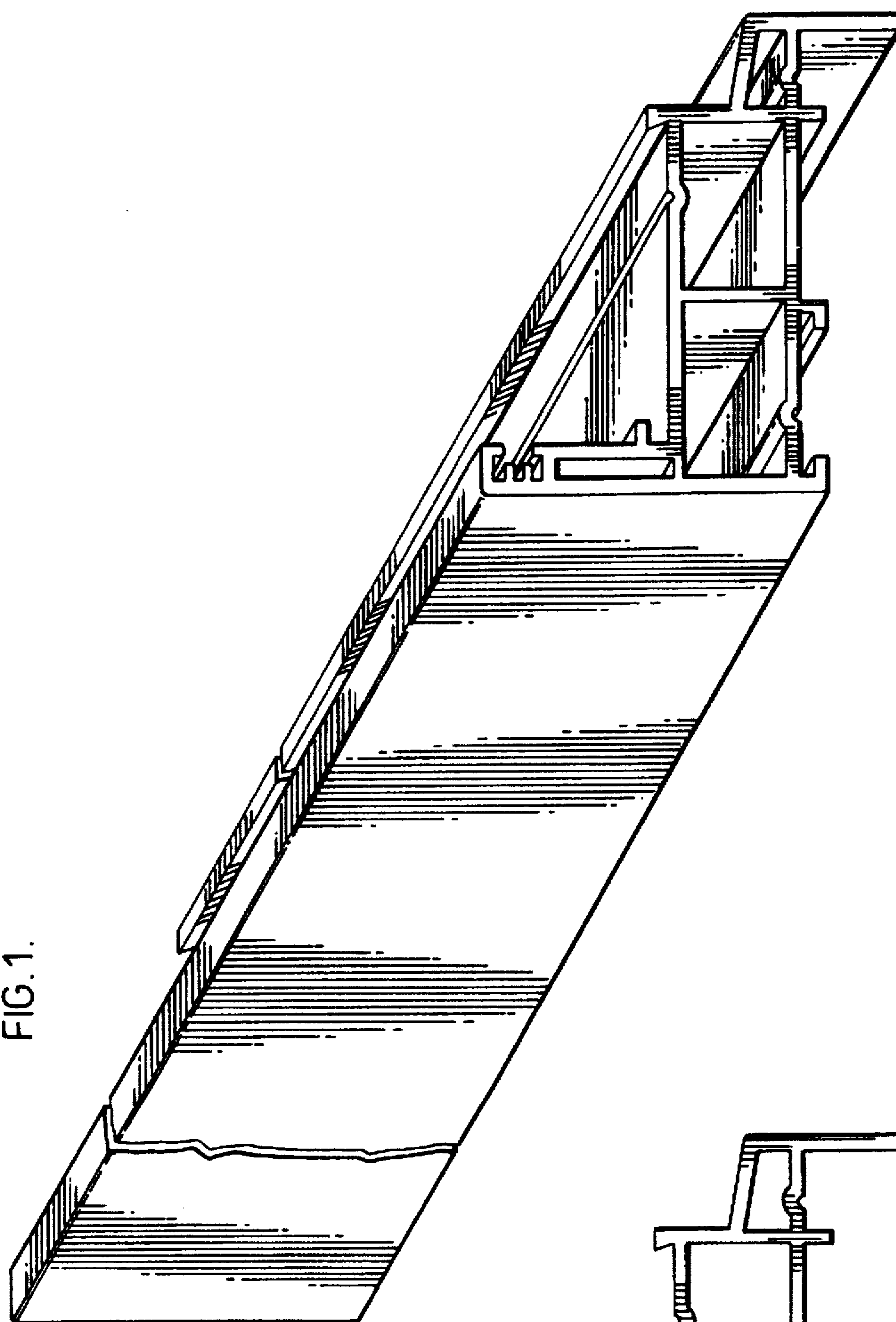


FIG. 2.

