



US00D397805S

**United States Patent** [19]  
**DiGiorgio**

[11] **Patent Number:** **Des. 397,805**  
[45] **Date of Patent:** **\*\*Sep. 1, 1998**

[54] **WINDOW OR DOOR FRAME COMPONENT**

3,859,754 1/1975 Budich et al. .... 52/204.5  
4,676,026 6/1987 Schreiner ..... 49/504

[75] **Inventor:** **Tony DiGiorgio**, Woodbridge, Canada

*Primary Examiner*—Doris Clark

[73] **Assignee:** **Dominion Plastics Inc.**, Woodbridge, Canada

[57] **CLAIM**

[\*\*] **Term:** **14 Years**

The ornamental design for a window or door frame component, as shown and described.

[21] **Appl. No.:** **71,253**

**DESCRIPTION**

[22] **Filed:** **Jul. 8, 1997**

[51] **LOC (6) Cl.** ..... **25-01**

FIG. 1 is a perspective view of the window or door frame component; and,

[52] **U.S. Cl.** ..... **D25/124**

FIG. 2 is an end view of the window or door frame component.

[58] **Field of Search** ..... D25/52, 119-125, D25/60; 49/504, DIG. 2, 501, 407-408; 52/204.5

The window or door frame component in FIG. 1 is broken away to indicate indefinite length.

[56] **References Cited**

**U.S. PATENT DOCUMENTS**

D. 353,895 12/1994 Dallaire et al. .... D25/124

**1 Claim, 1 Drawing Sheet**

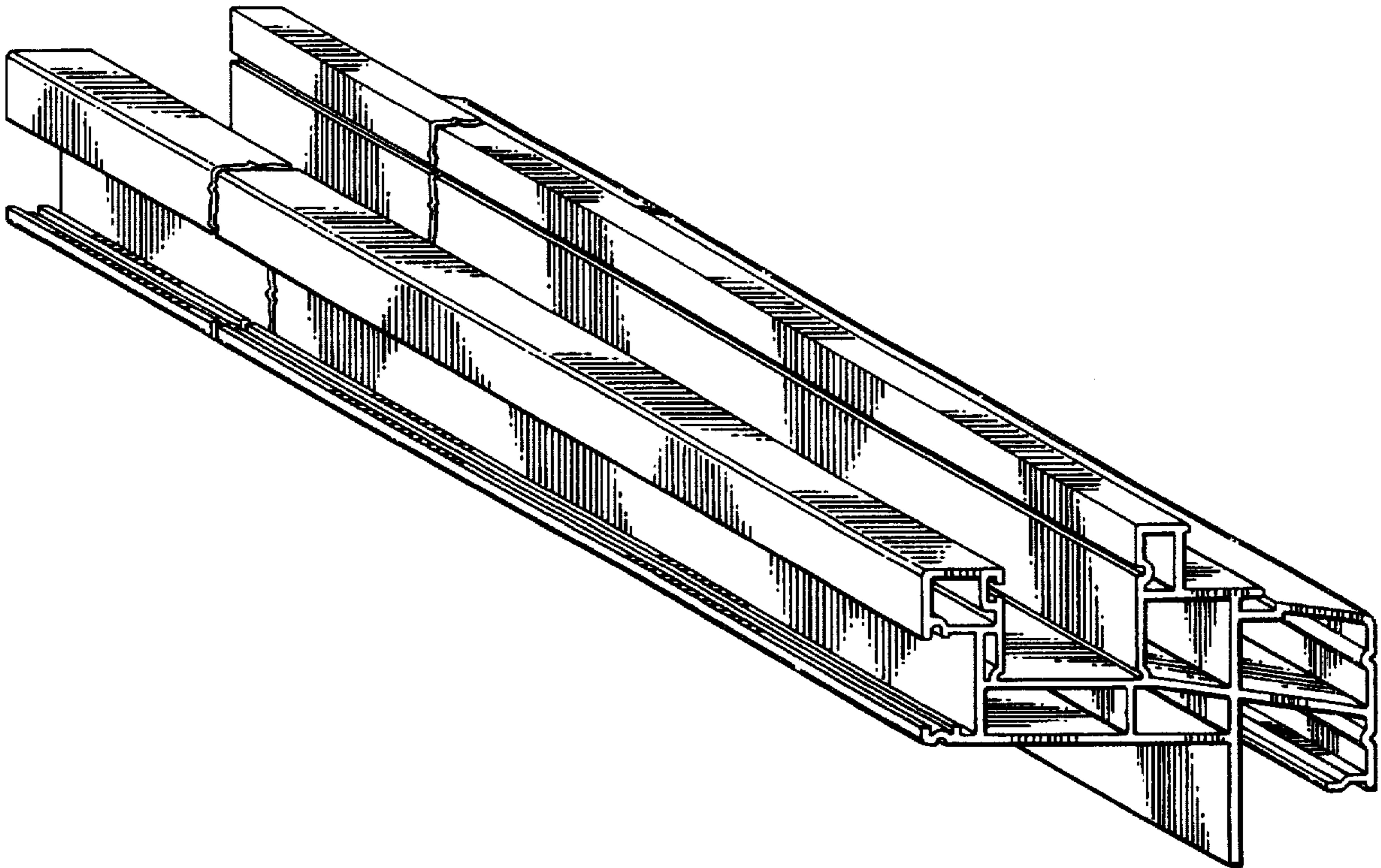


FIG. 1.

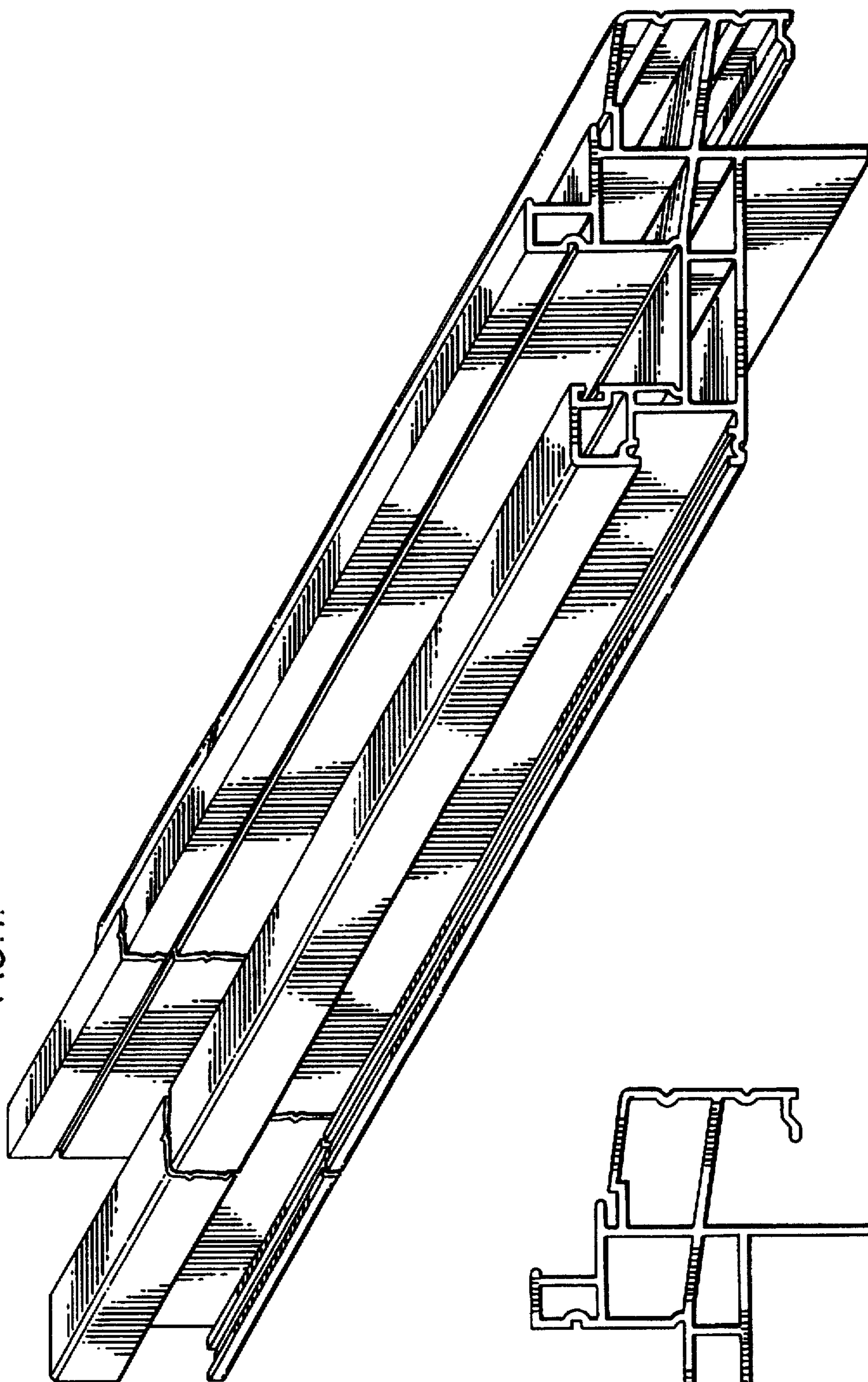


FIG. 2.

