



US00D397803S

# United States Patent [19]

Current

[11] Patent Number: **Des. 397,803**

[45] Date of Patent: **\*\*Sep. 1, 1998**

[54] **EXTRUDED SLATWALL SECTION**

4,607,753	8/1986	Radek	.....	211/94.01
4,615,448	10/1986	Johnstonbaugh	.....	D25/138
4,805,783	2/1989	Mayer	.....	211/94.01

[75] Inventor: **Wayne A. Current, Holmdel, N.J.**

[73] Assignee: **International Visual Corporation, Port Washington, N.Y.**

*Primary Examiner—Doris Clark  
Attorney, Agent, or Firm—Collard & Roe, P.C.*

[\*\*] Term: **14 Years**

[57] **CLAIM**

[21] Appl. No.: **70,983**

The ornamental design for an extruded slatwall section, as shown and described.

[22] Filed: **May 16, 1997**

**DESCRIPTION**

[51] LOC (6) Cl. .... **25-01**

[52] U.S. Cl. .... **D25/123**

[58] Field of Search ..... D25/138, 58, 123,  
D25/125; 211/94.01, 162, 189, 186; D6/449,  
457, 471, 466, 467, 332, 511, 509

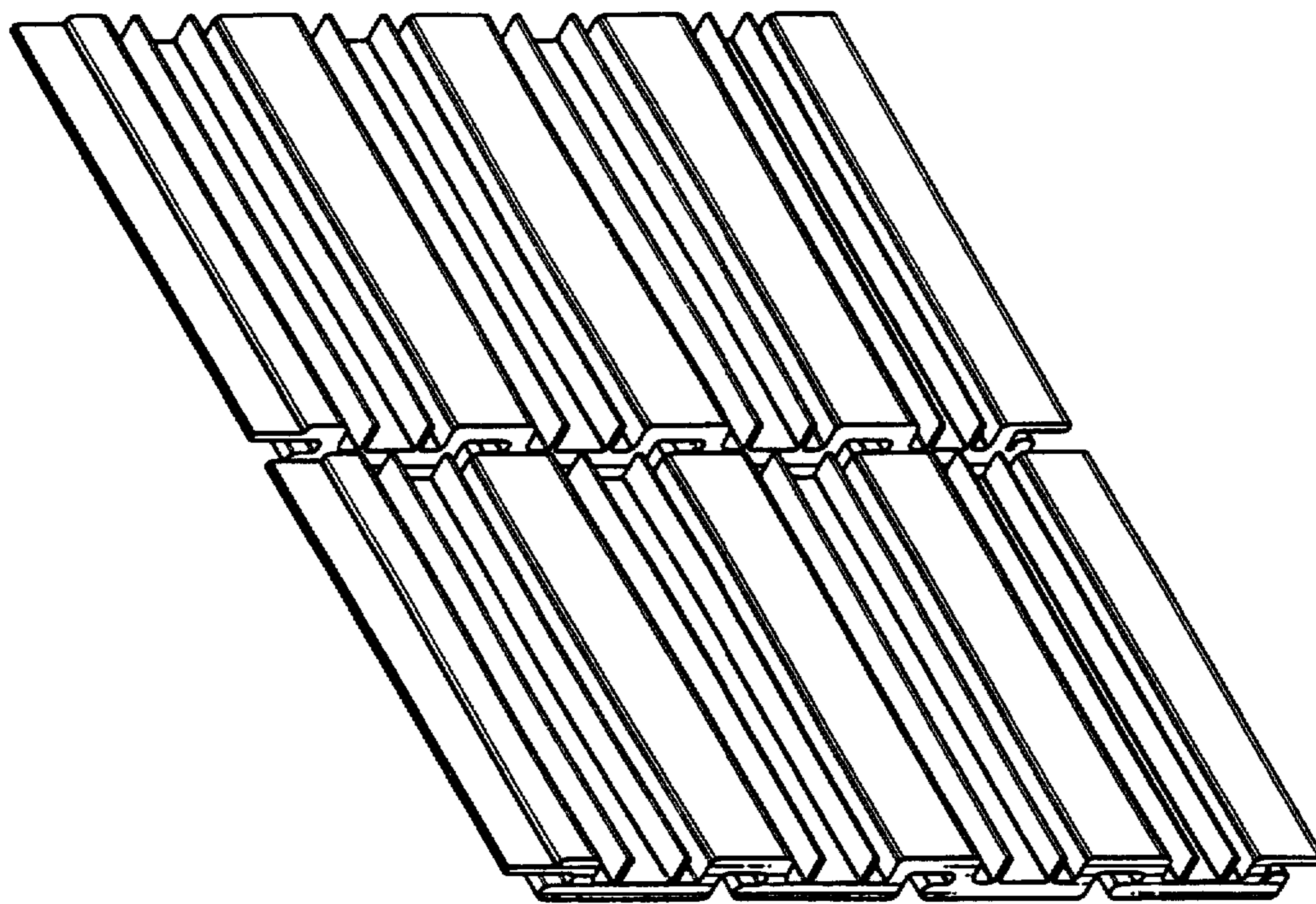
FIG. 1 is a front perspective view of an extruded slatwall section showing my new design;  
FIG. 2 is a rear perspective view thereof;  
FIG. 3 is a front view thereof;  
FIG. 4 is a right side view thereof;  
FIG. 5 is a back view thereof;  
FIG. 6 is a left side view thereof;  
FIG. 7 is a top plan view thereof; and,  
FIG. 8 is a bottom plan view thereof.

[56] **References Cited**

**U.S. PATENT DOCUMENTS**

D. 165,978	2/1952	Haman et al.	.....	D25/123
D. 307,260	4/1990	Happy et al.	.....	D25/138
4,591,058	5/1986	Amstutz et al.	.....	D211/94.01

**1 Claim, 2 Drawing Sheets**



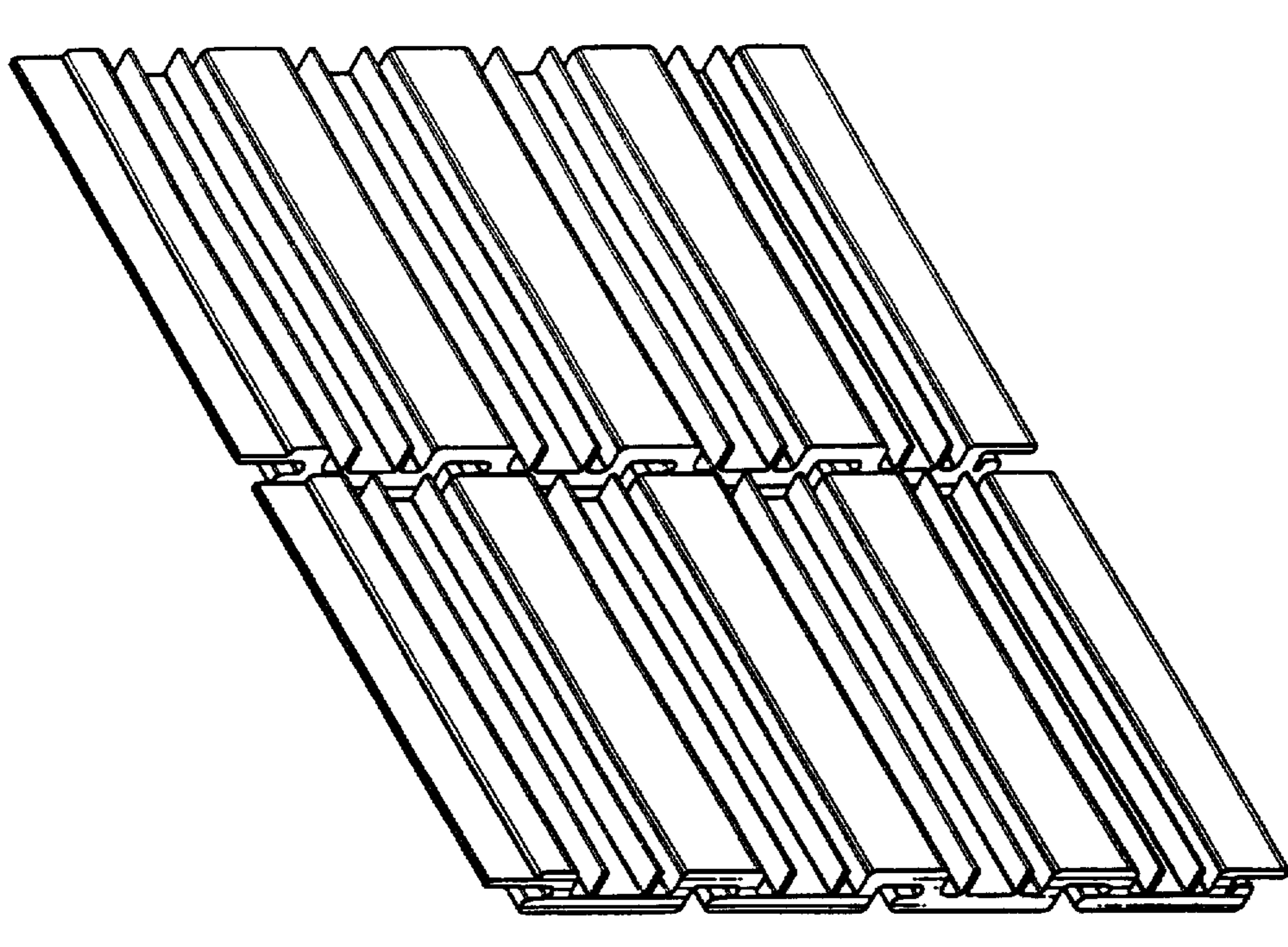


Fig. 2

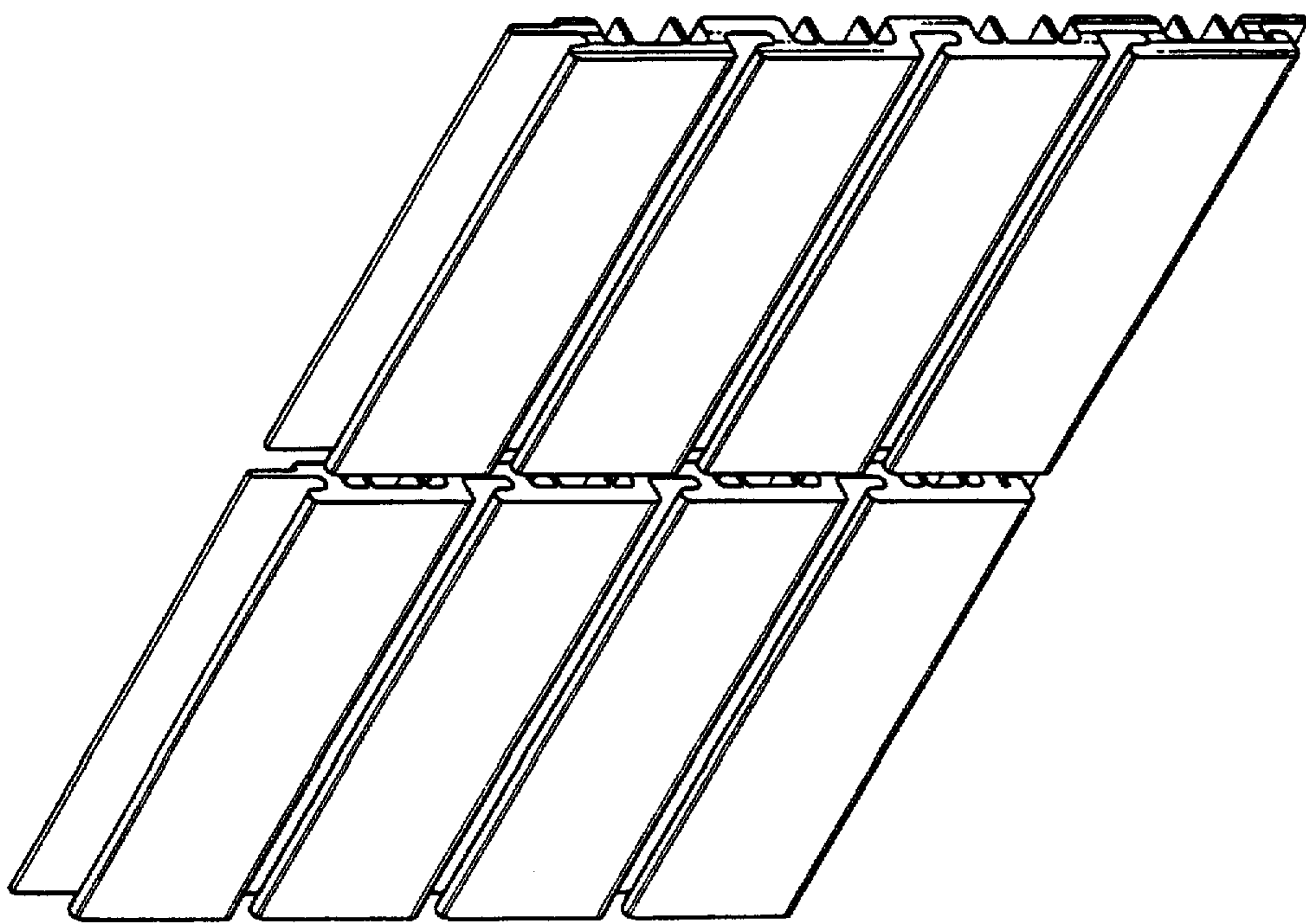


Fig. 1



Fig. 6

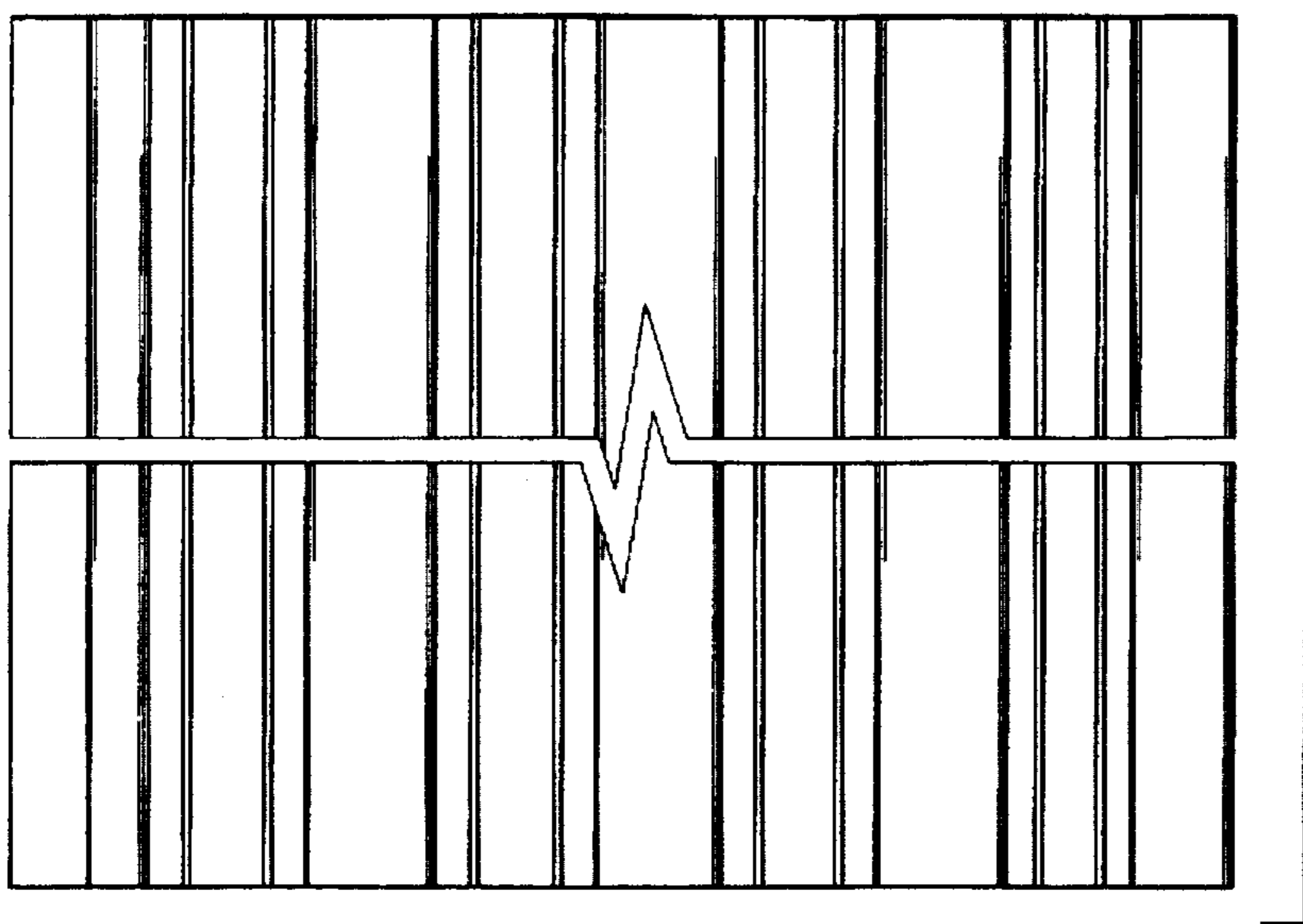


Fig. 5



Fig. 8



Fig. 4

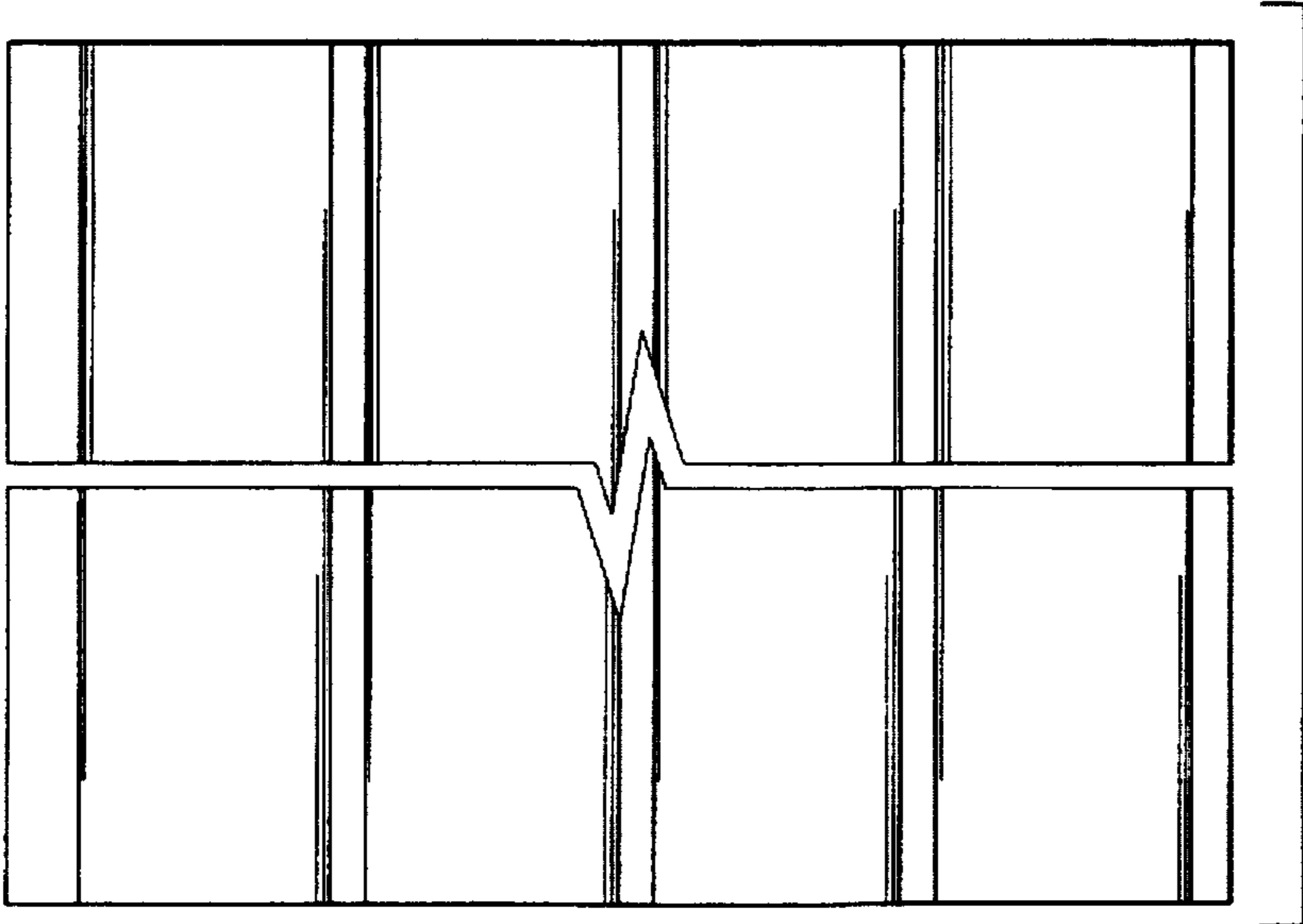


Fig. 3



Fig. 7