



US00D397798S

United States Patent [19]

Parker, Jr.

[11] Patent Number: Des. 397,798

[45] Date of Patent: **Sep. 1, 1998

[54] PUBOCOCCYGEAL MUSCLE EXERCISER

[76] Inventor: Clarence Parker, Jr., 15433 Sorrento, Detroit, Mich. 48227

[**] Term: 14 Years

[21] Appl. No.: 72,743

[22] Filed: Jun. 30, 1997

[51] LOC (6) CL. 24-04

[52] U.S. Cl. D24/200

[58] Field of Search D24/200; 600/549, 600/551, 591, 38

4,749,186	6/1988	Harding-Randle	272/93
4,840,370	6/1989	Biddlecombe	272/68
5,007,633	4/1991	Lemire	272/123
5,027,800	7/1991	Rowland	128/79
5,050,875	9/1991	Lewkovich	272/137
5,127,422	7/1992	Colón	128/845
5,439,007	8/1995	Fischer	128/842
5,452,728	9/1995	Iams	128/845
5,472,399	12/1995	Szekely	482/121

Primary Examiner—Stella Reid
Attorney, Agent, or Firm—Brooks & Kushman P.C.

[57] CLAIM

The ornamental design for a pubococcygeal muscle exercise, as shown and described.

DESCRIPTION

FIG. 1 is a perspective view of a pubococcygeal muscle exerciser, showing my new design;
 FIG. 2 is a side elevational view thereof, the opposite side elevational view being identical thereto;
 FIG. 3 is a top plan view thereof;
 FIG. 4 is a bottom plan view thereof;
 FIG. 5 is a front elevational view thereof; and,
 FIG. 6 is a rear elevational view thereof.

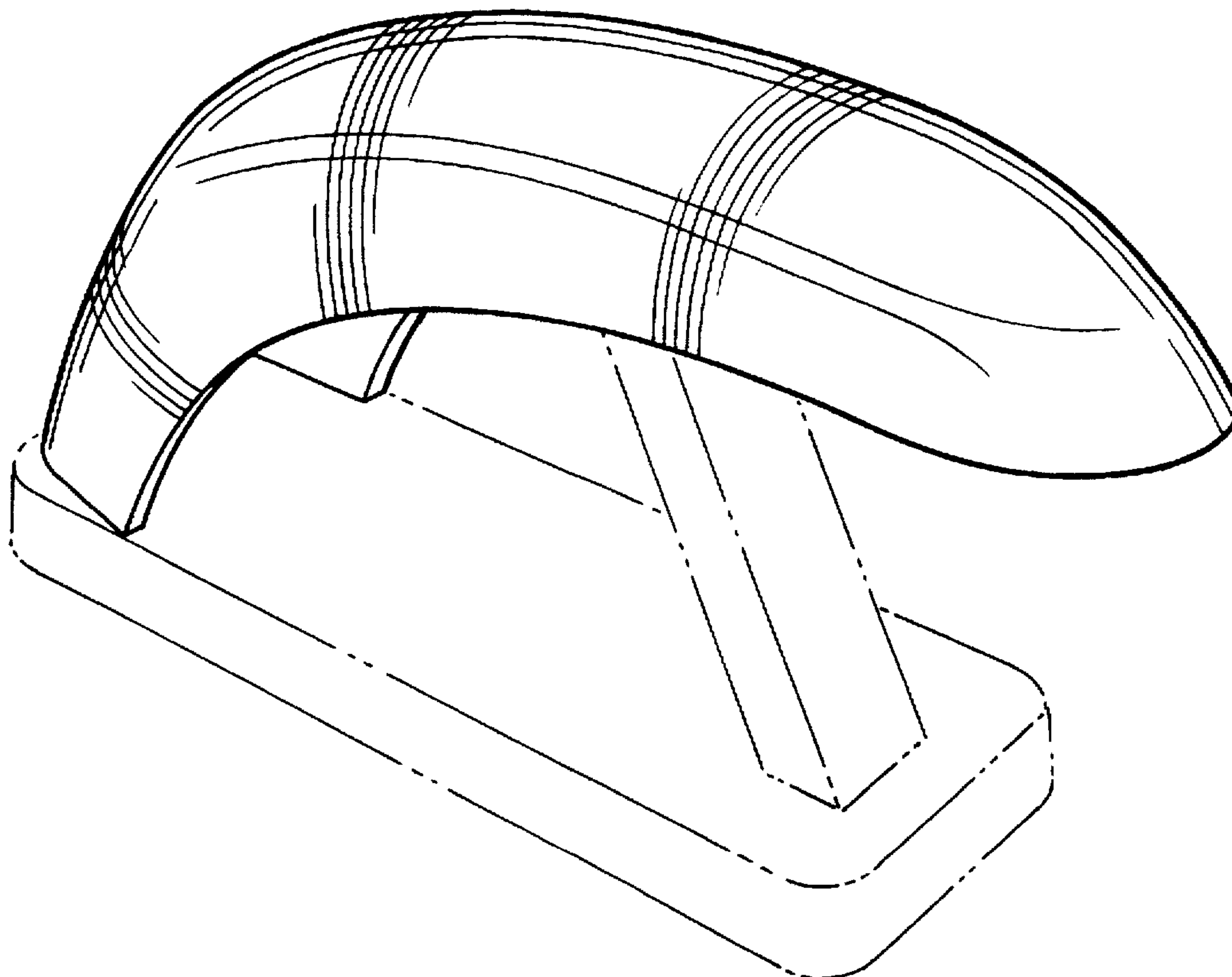
The broken line showing of the prop and base is for illustrative purposes only and forms no part of the claimed design.

1 Claim, 2 Drawing Sheets

[56] References Cited

U.S. PATENT DOCUMENTS

D. 344,341	2/1994	Smith	D24/200
1,013,685	1/1912	Reach	272/64
2,255,464	9/1941	Hall, Jr.	155/182
3,080,865	3/1963	Vincent	128/93
3,510,129	5/1970	Reuther	272/64
3,598,106	8/1971	Buning	600/591
3,726,273	4/1973	Cole	600/591
3,752,150	8/1973	Harris	600/591
4,048,985	9/1977	Sasse	128/2 S
4,050,449	9/1977	Castellana et al.	600/591
4,201,202	5/1980	Finney	128/79
4,354,677	10/1982	Young	272/144
4,515,167	5/1985	Hochman	600/549
4,574,791	3/1986	Mitchener	600/38



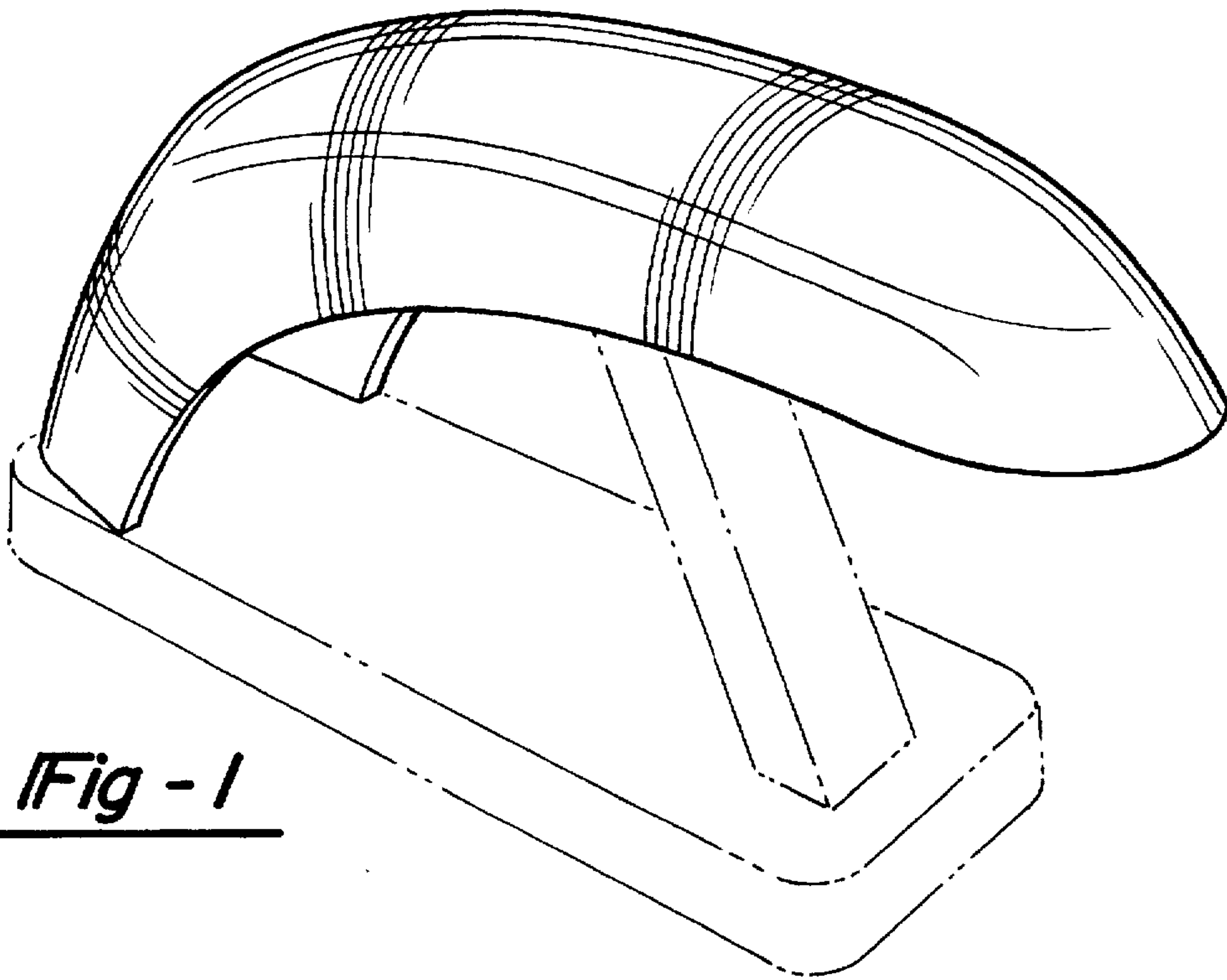


Fig - 1

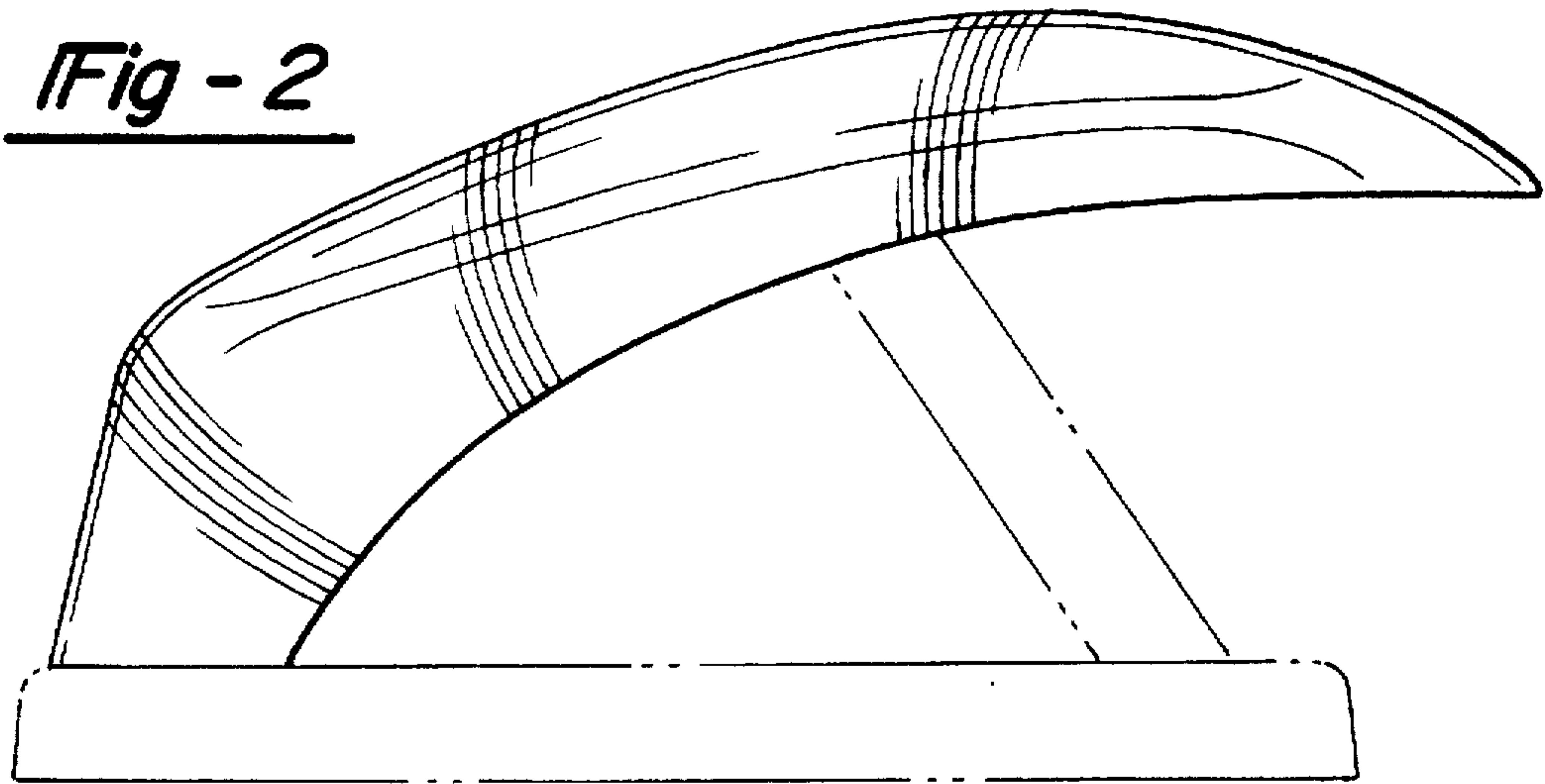


Fig - 2

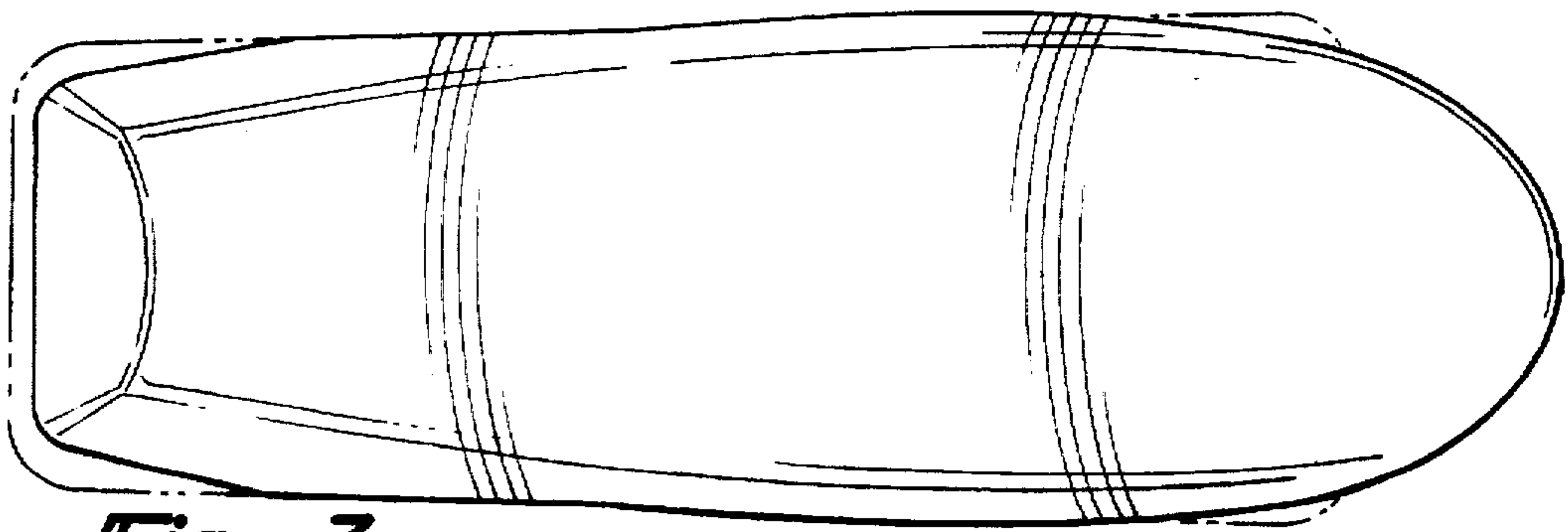


Fig - 3

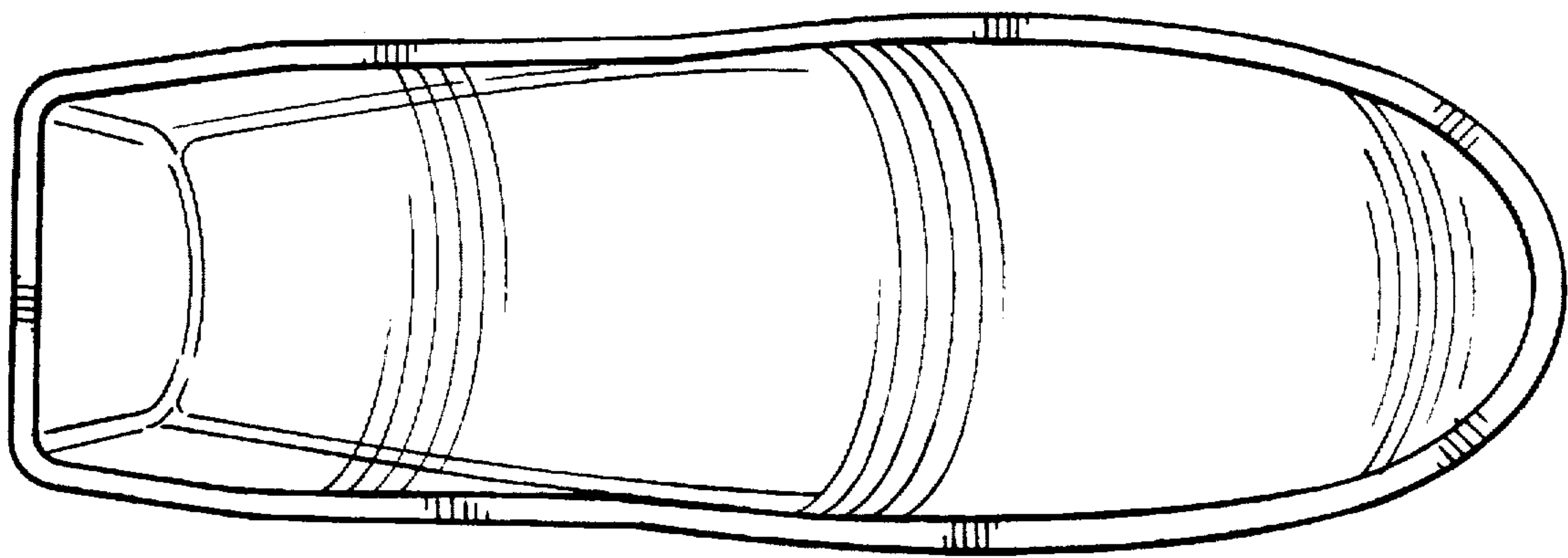


Fig - 4

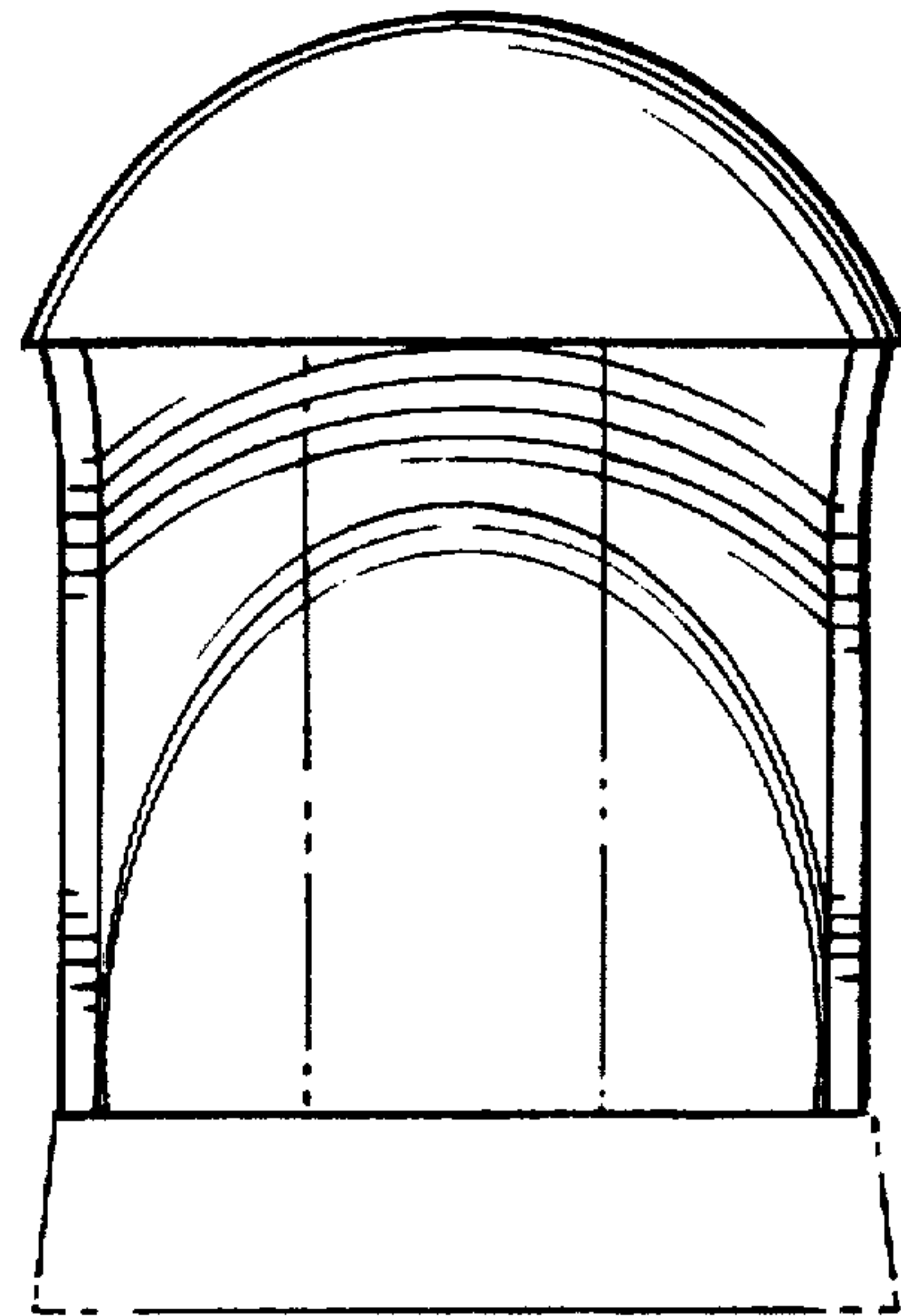


Fig - 5

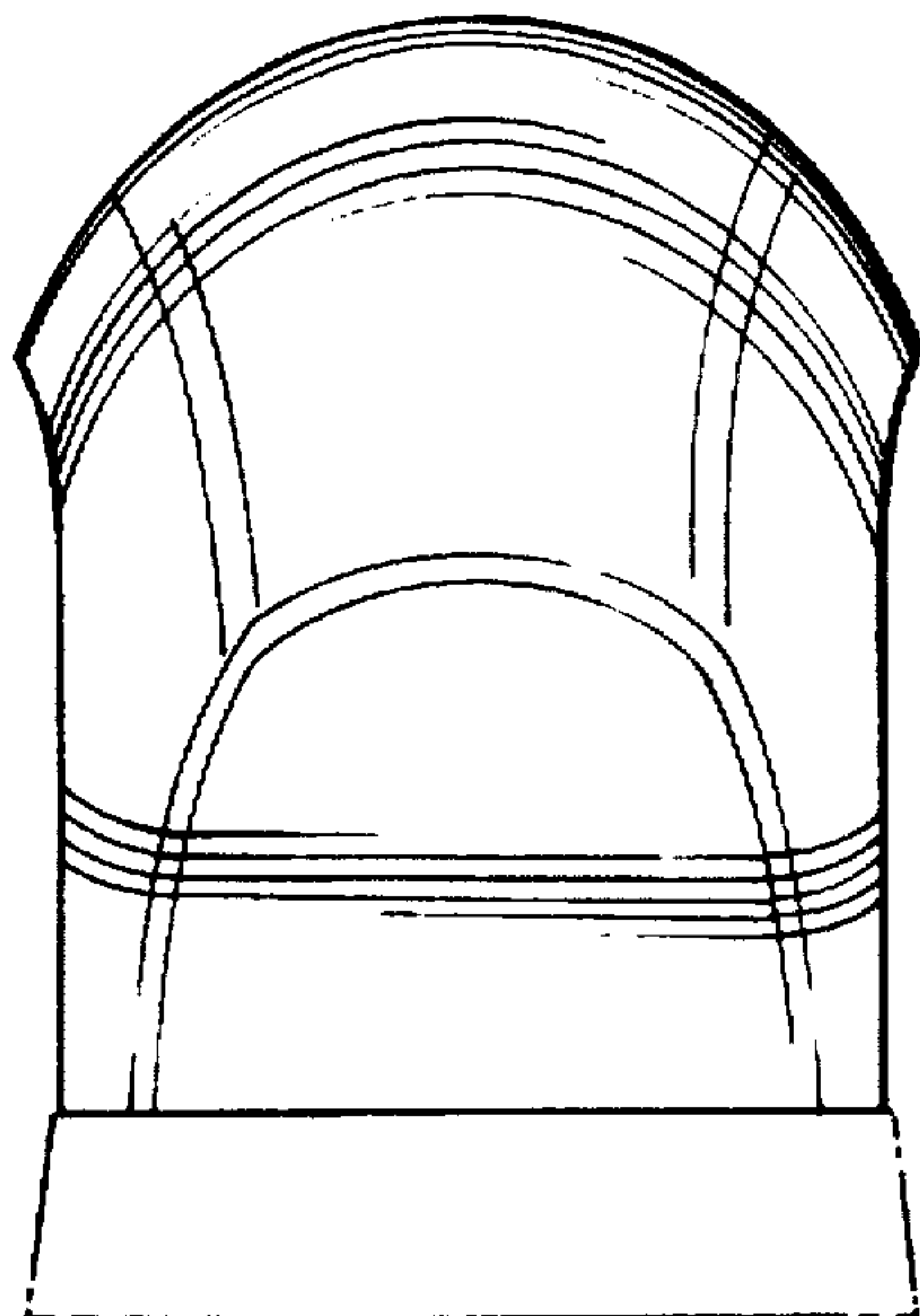


Fig - 6