



US00D397796S

United States Patent [19]

Yabe et al.

[11] Patent Number: Des. 397,796

[45] Date of Patent: **Sep. 1, 1998

[54] HEARING AID

[75] Inventors: Isao Yabe, Tokorozawa; Akira Yanagisawa, Hidaka; Toshibumi Wakayama, Tokyo, all of Japan

[73] Assignees: Citizen Tokei Kabushiki Kaisha, Tokyo; Sayama Seimitsu Kogyo Kabushiki Kaisha, Saitama, both of Japan

[**] Term: 14 Years

[21] Appl. No.: 76,329

[22] Filed: Sep. 18, 1997

[30] Foreign Application Priority Data

Jul. 1, 1997 [JP] Japan 598191997

[51] LOC (6) Cl. 24-99

[52] U.S. Cl. D24/174

[58] Field of Search D24/174; 381/68.6, 381/69, 69.2; 181/130

[56] References Cited

U.S. PATENT DOCUMENTS

- D. 297,979 10/1988 Voroba et al. D24/174
- D. 338,530 8/1993 Oberlander .
- D. 375,556 11/1996 Narisawa et al. D24/174
- 4,716,985 1/1988 Haertl 181/130
- 5,185,802 2/1993 Stanton 381/68.6

FOREIGN PATENT DOCUMENTS

925353 5/1995 Japan .

OTHER PUBLICATIONS

- "Earmate"—Omron Kabushiki Kaisha, issued in 1996.
- "Sony Hearing Aid"—Sony Kabushiki Kaisha, issued in Feb., 1996.
- "WIDEX" (Denmark) & VIENNATONE (Austria)—(catalog was issued by the importer, Japan Hearing Aid Sales Kabushiki Kaisha), issued presumably in Jul., 1995.

Advertisement on newspaper—Nihon Keizai Shimbun dated Jan. 7, 1998 "EARMATE" —Kabushiki Kaisha.

"Senso CX"—Widex, Denmark (catalog was issued by the importer, Japan Hearing Aid Sales Kabushiki Kaisha) issued presumably in Sep. 1996.

"ism" NLC-500—Kabushiki Kaisha Nikon Optical, issuance date—unknown.

"Beltone" (U.S.A.) UNTRON (canada) & A & M (UK)—(catalog was issued by the importer, N J H CO., LTD.) issued presumably in Aug., 1995.

"Invisa" —N J H CO., LTD., issued presumably in Mar., 1995.

"Beltone" (U.S.A.) & UNTRON (CANADA)—(catalog was issued by the importer, N J H CO., LTD.) issued presumably in Jun., 1995.

"RIONET" —RION KABUSHIKI KAISHA issued presumably in May, 1995.

Primary Examiner—Stella Reid

Attorney, Agent, or Firm—IP Group of Pillsbury Madison & Sutro LLP

[57] CLAIM

The ornamental design for a hearing aid, as shown and described.

DESCRIPTION

FIG. 1 is a front elevational view of a hearing aid showing our new design;

FIG. 2 is a top plan view thereof;

FIG. 3 is a rear elevational view thereof;

FIG. 4 is a left side elevational view thereof;

FIG. 5 is a right side elevational view thereof;

FIG. 6 is a bottom plan view thereof; and,

FIG. 7 is a side elevational view thereof, the broken line showing of an adaptor is for illustrative purposes only and forms no part of the claimed design.

1 Claim, 3 Drawing Sheets

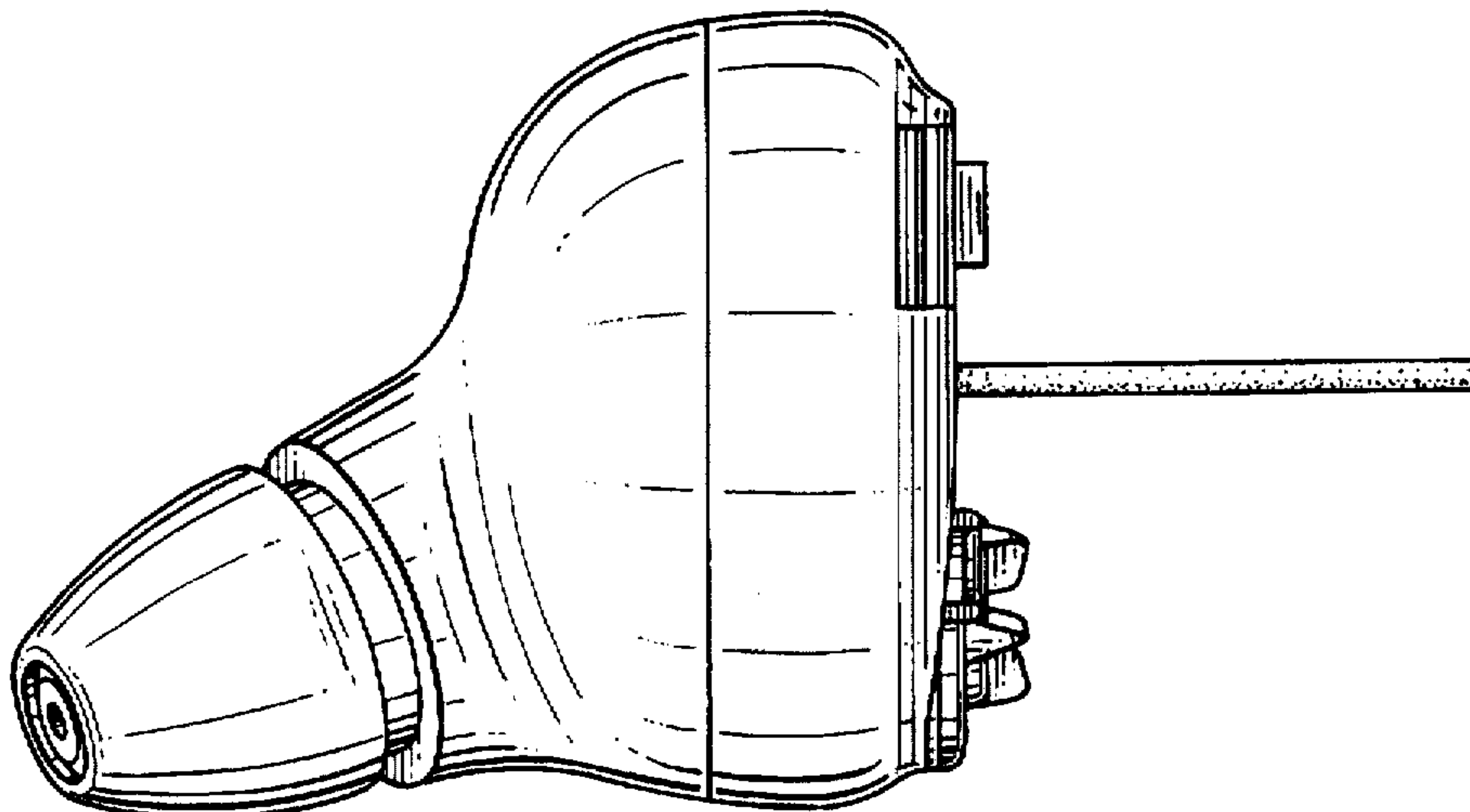


FIG. 1

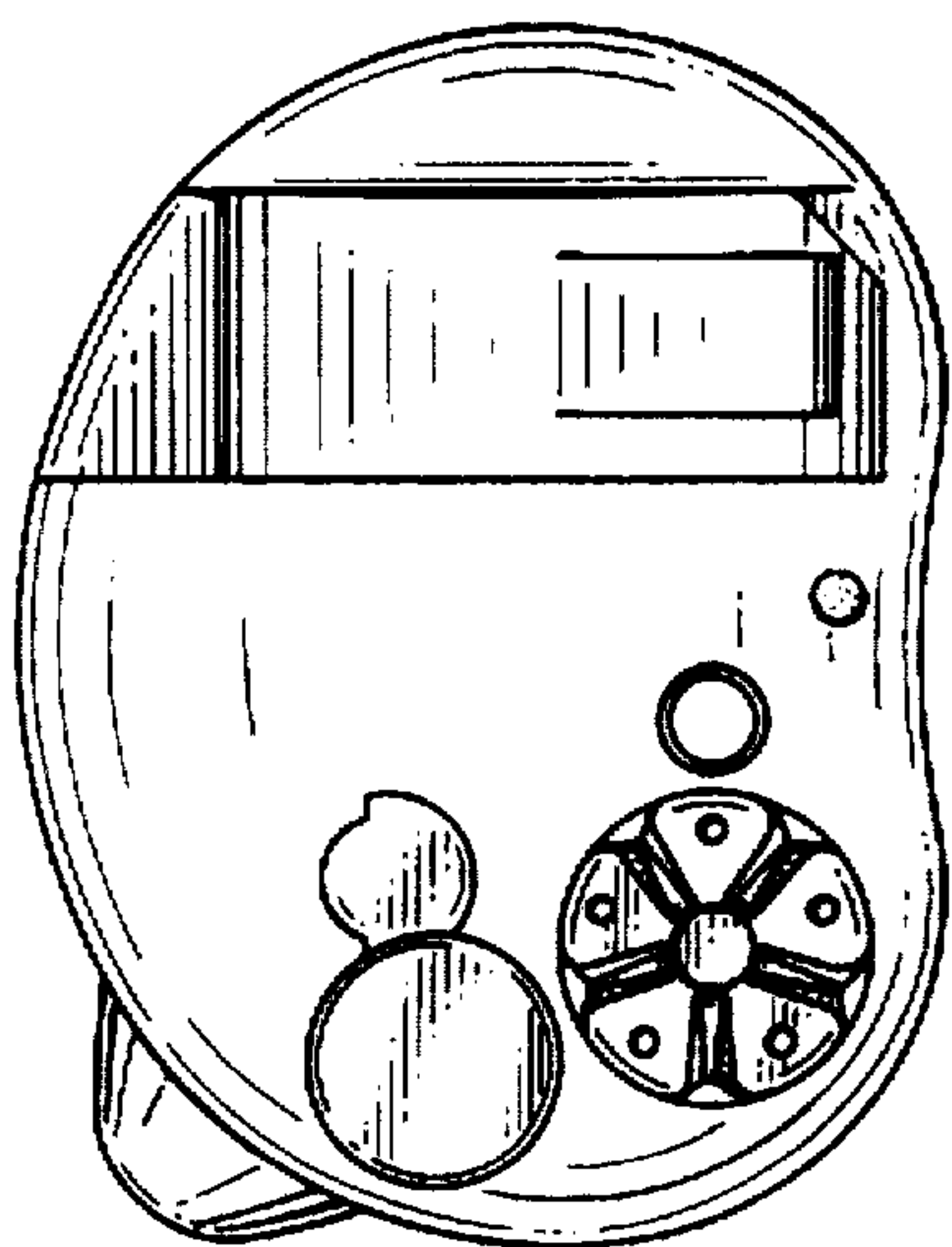


FIG. 2

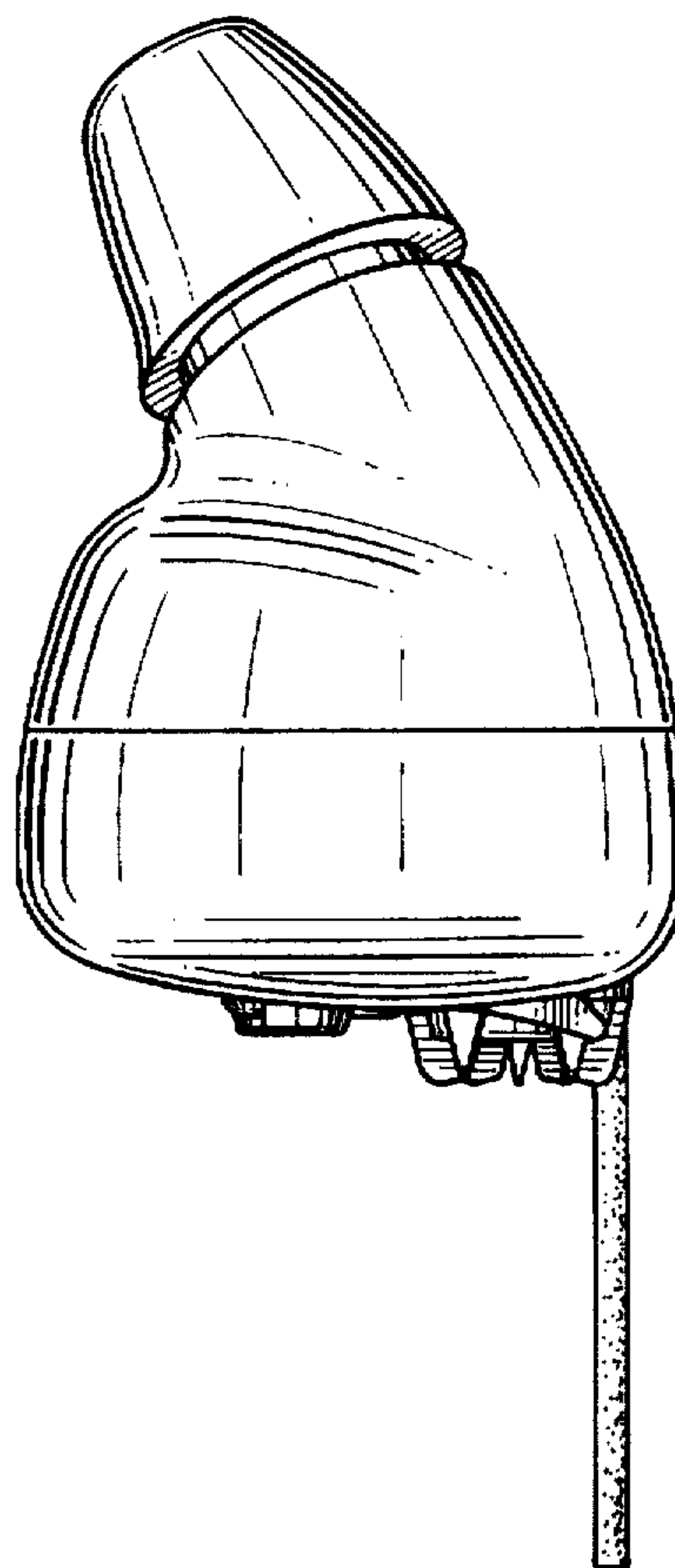


FIG. 3

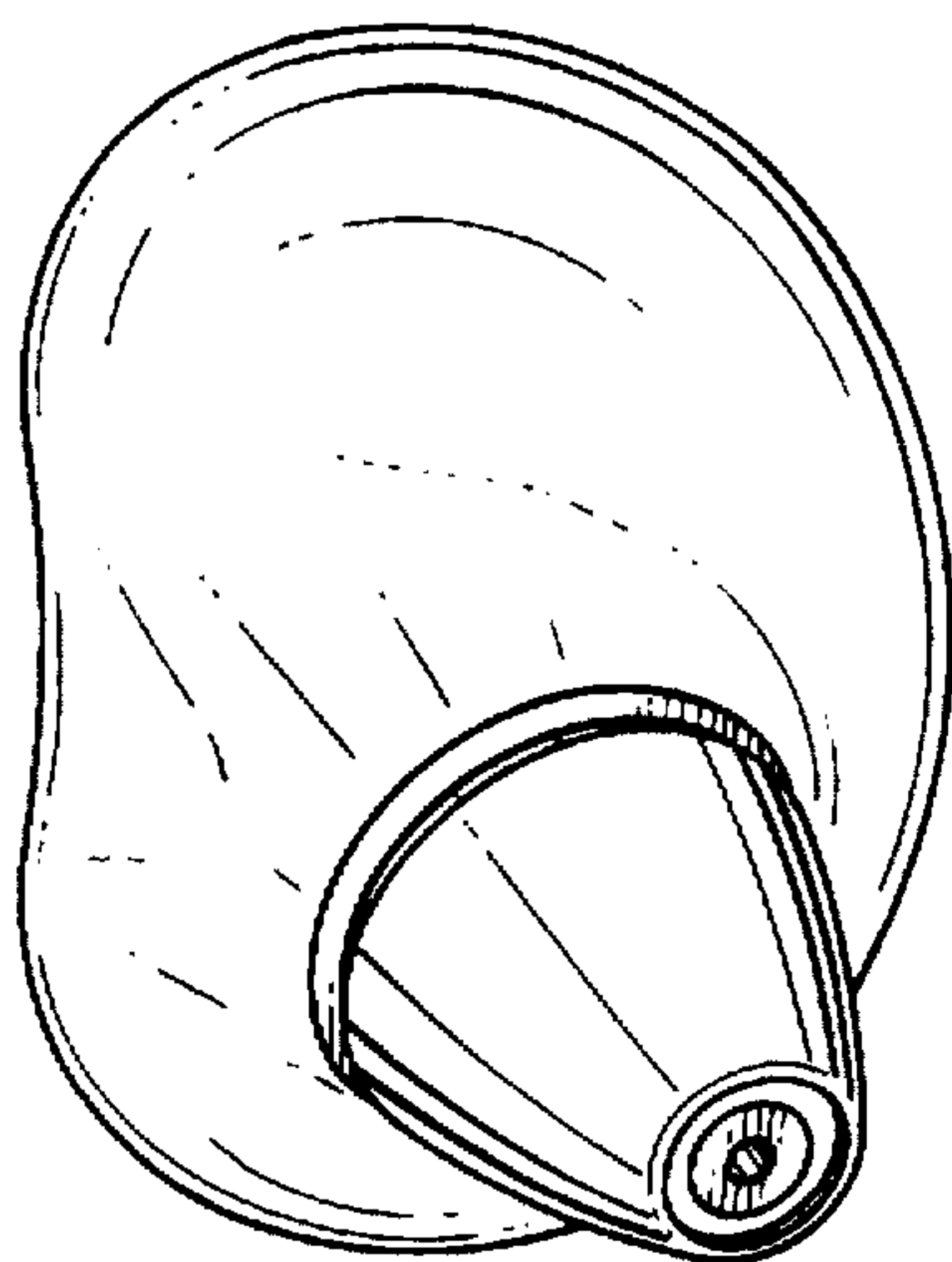


FIG. 4

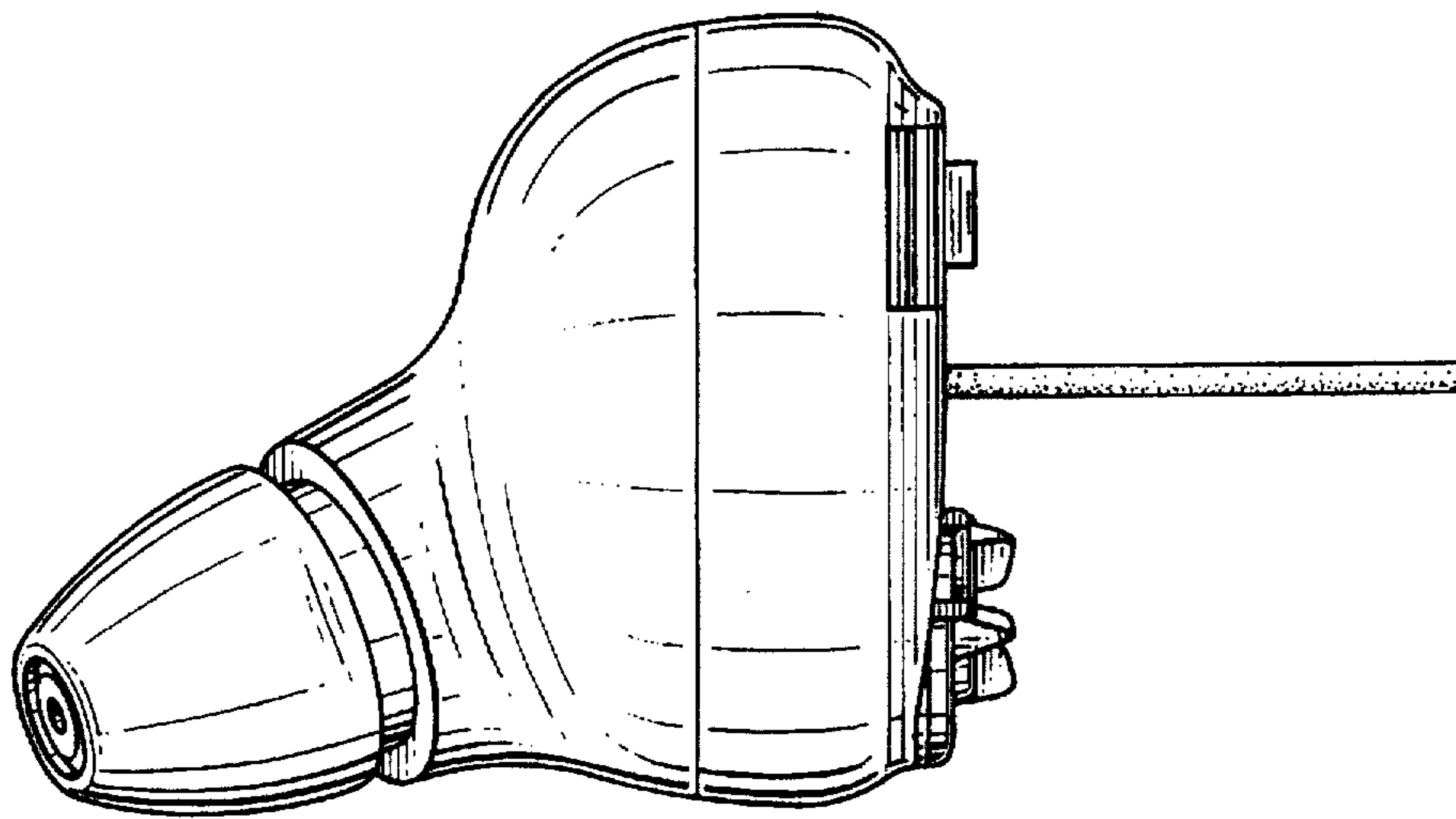


FIG. 5

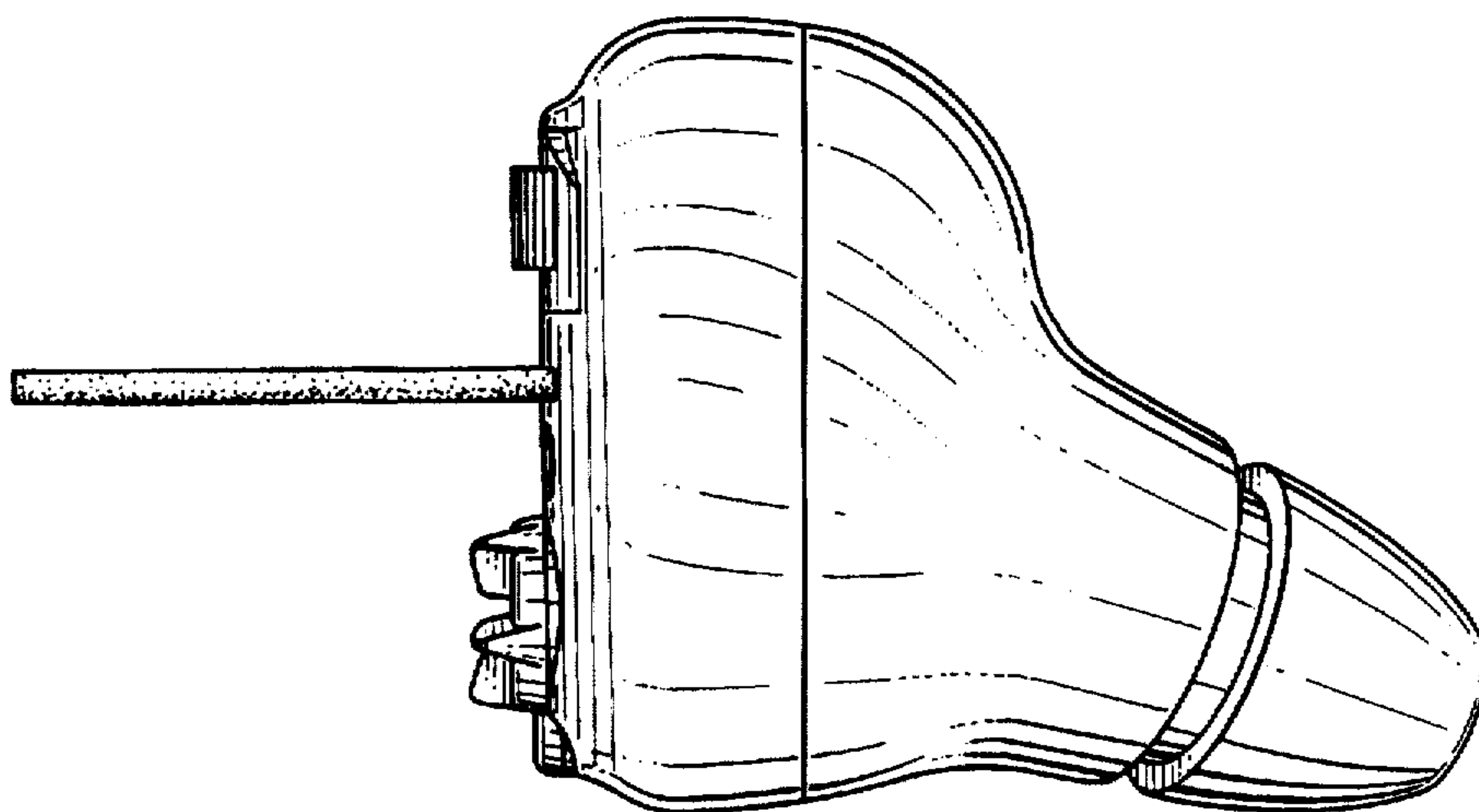


FIG. 6

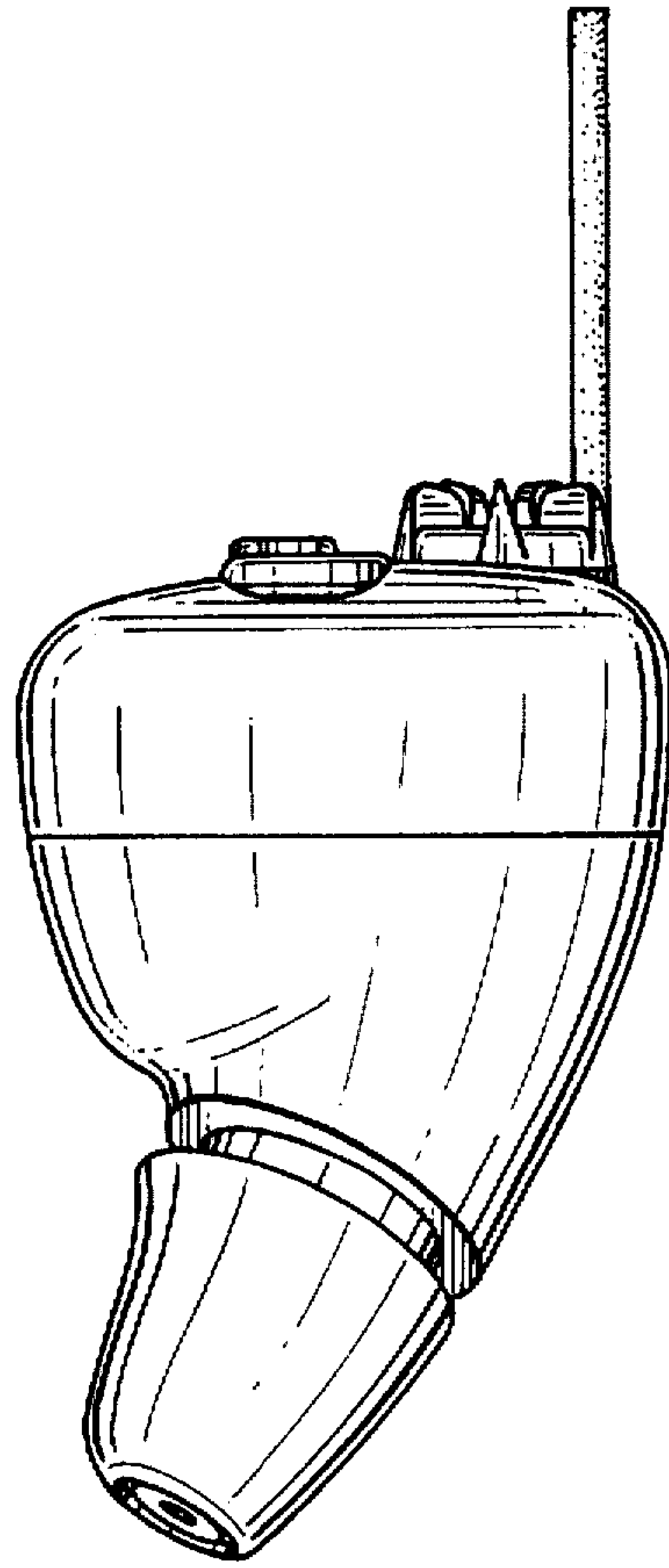


FIG. 7

