



US00D397791S

United States Patent [19]

Koros et al.

[11] Patent Number: Des. 397,791

[45] Date of Patent: **Sep. 1, 1998

[54] RATCHET MECHANISM FOR A SURGICAL RETRACTOR ASSEMBLY

[76] Inventors: Tibor Koros; Gabriel Koros, both of 610 Flinn Ave., Moorpark, Calif. 93021

[**] Term: 14 Years

[21] Appl. No.: 59,029

[22] Filed: Aug. 30, 1996

[51] LOC (6) Cl. 24-02

[52] U.S. Cl. D24/135

[58] Field of Search D24/135; 600/201; 74/575, 577 M

[56] References Cited

U.S. PATENT DOCUMENTS

D. 361,381	8/1995	Koros et al.	D24/135
4,424,724	1/1984	Bookwalter	74/540
5,052,373	10/1991	Michelson	74/577 M
5,375,481	12/1994	Cabrera et al.	74/577 M

Primary Examiner—Doris Clark
Attorney, Agent, or Firm—Richard D. Slehofer

[57] CLAIM

The ornamental design for a ratchet mechanism for a surgical retractor assembly, as shown and described.

DESCRIPTION

FIG. 1 is a perspective view of a ratchet mechanism for a surgical retractor assembly showing our new design, the toothed ratchet is shown in broken lines for clarity and forms no part of the invention;

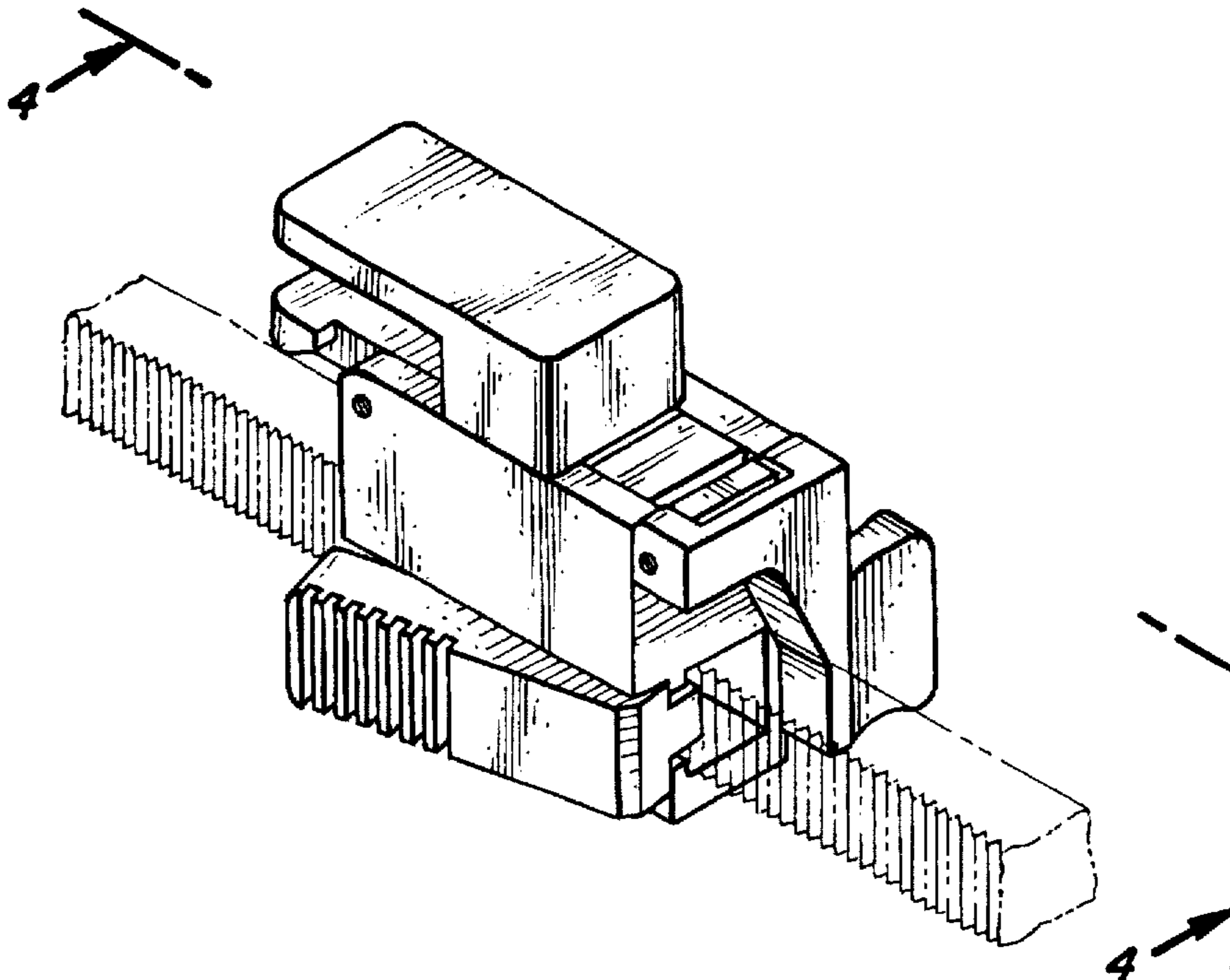
FIG. 2 is a perspective view of the ratchet mechanism for a surgical retractor assembly in the open position;

FIG. 3 is a perspective view of the ratchet mechanism for a surgical retractor assembly the pawl in closed position;

FIG. 4 is a sectional view taken along line 4—4 in FIG. 1; FIG. 5 is a sectional view taken along line 5—5 in FIG. 4; and,

FIG. 6 is an exploded perspective view of the ratchet mechanism for a surgical retractor assembly.

1 Claim, 2 Drawing Sheets



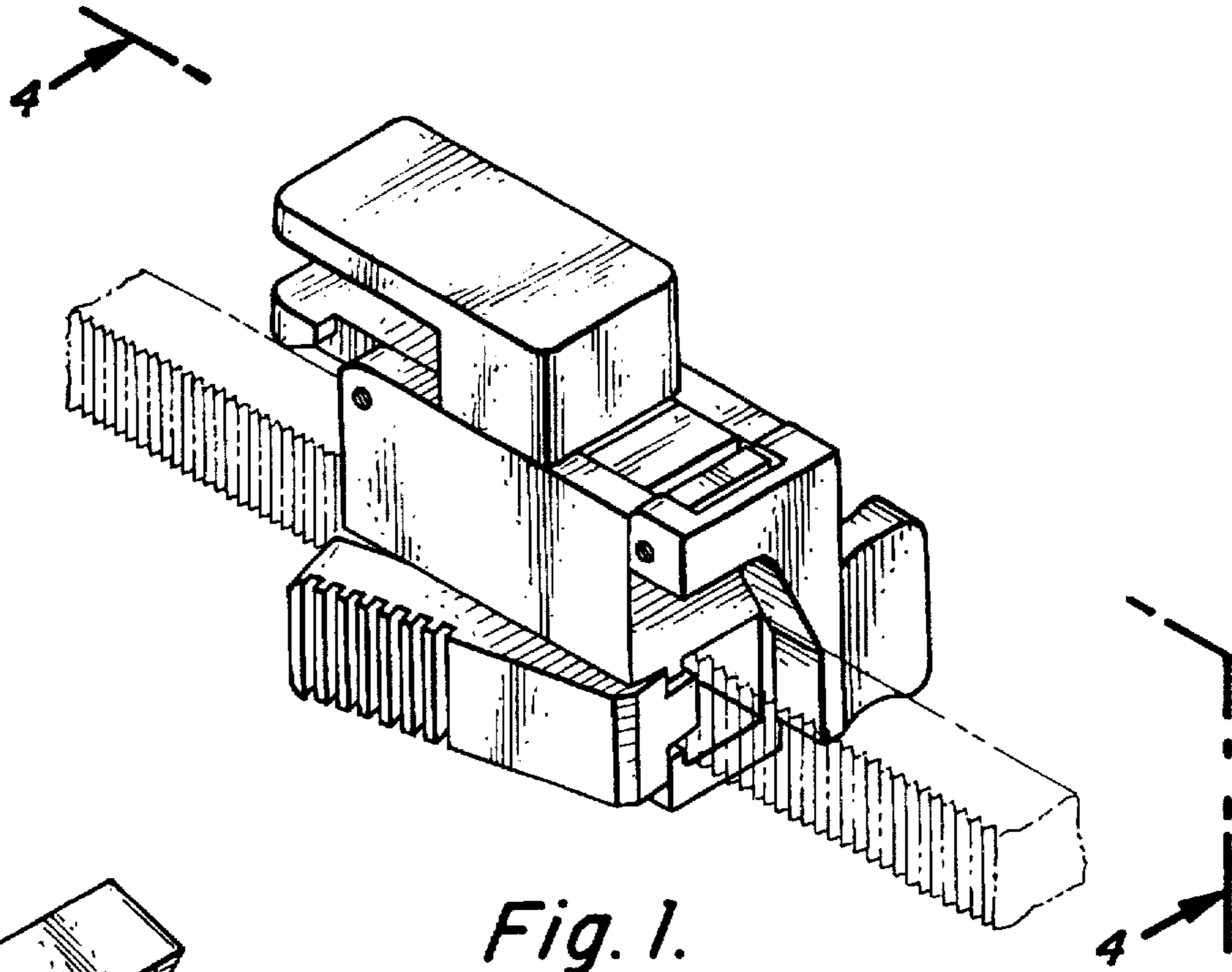


Fig. 1.

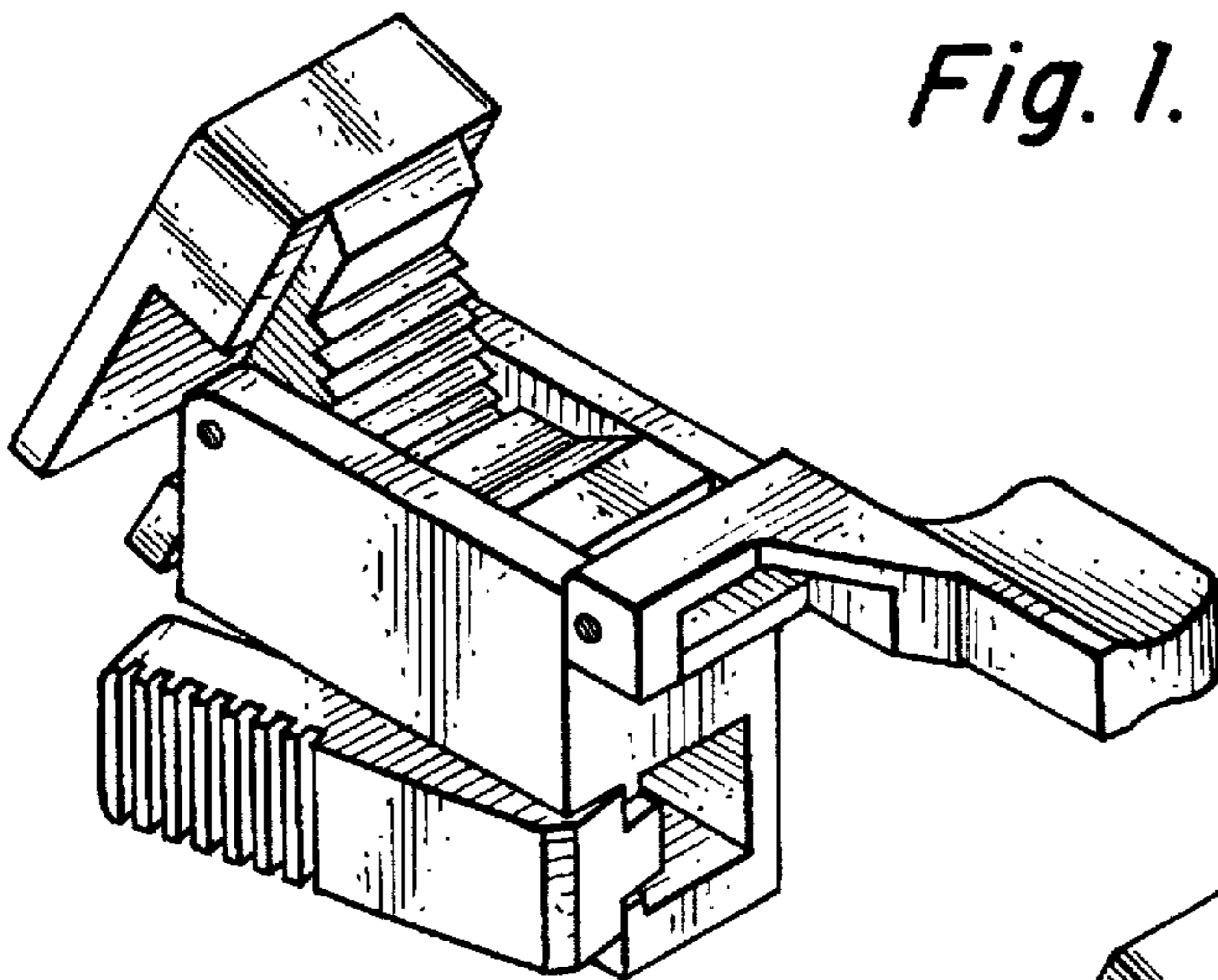


Fig. 2.

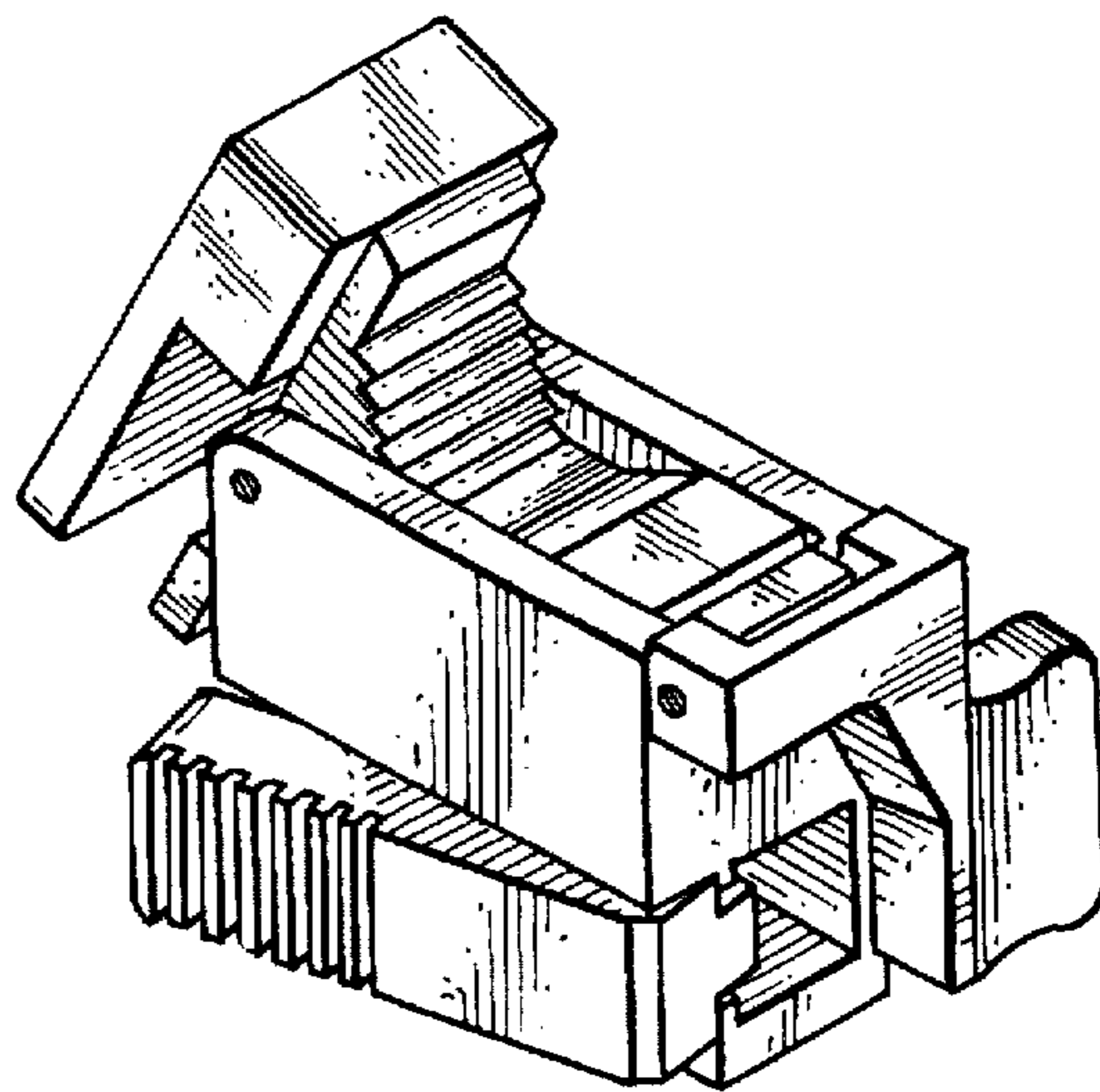
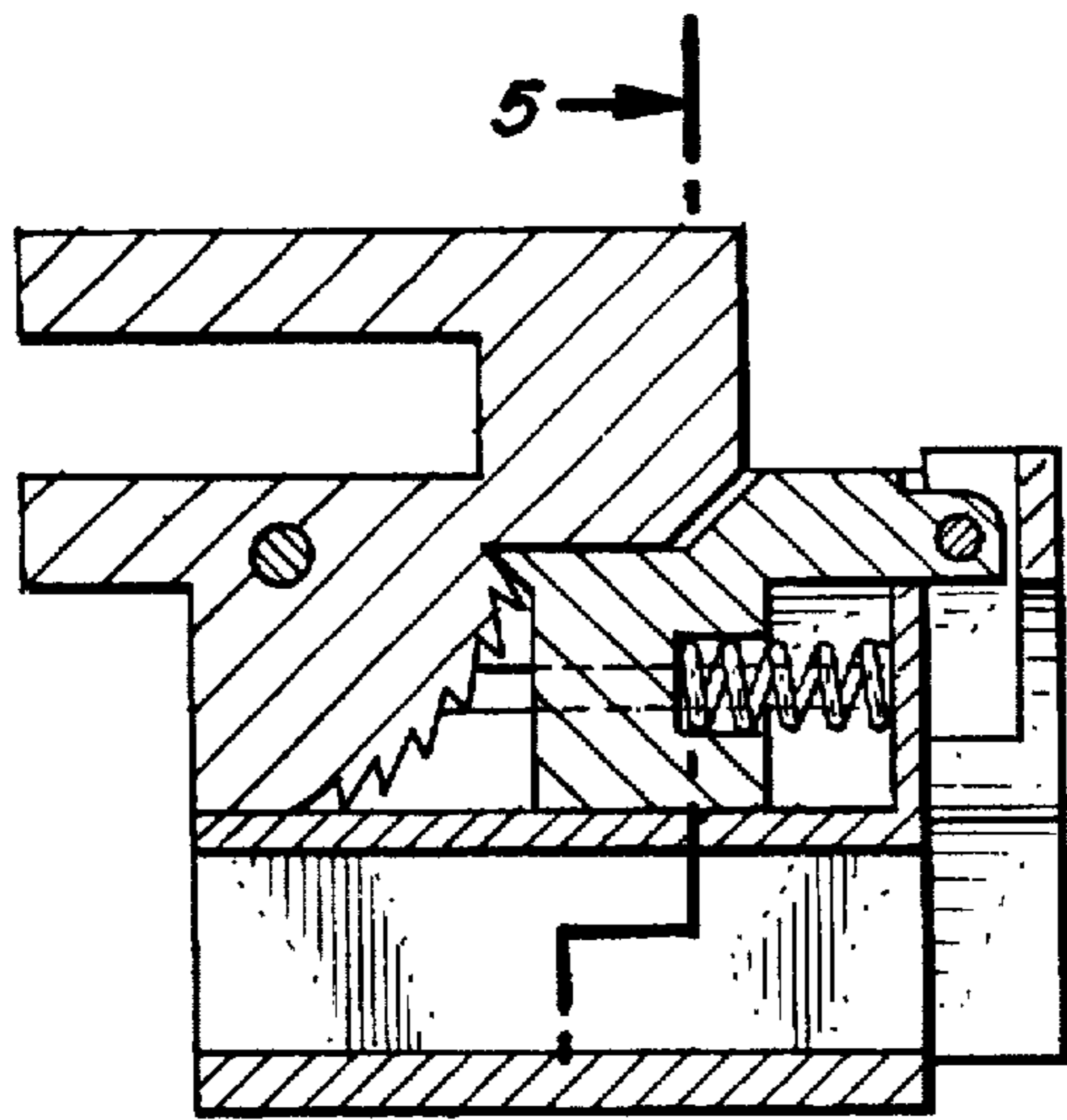


Fig. 3.



5 →
Fig. 4.

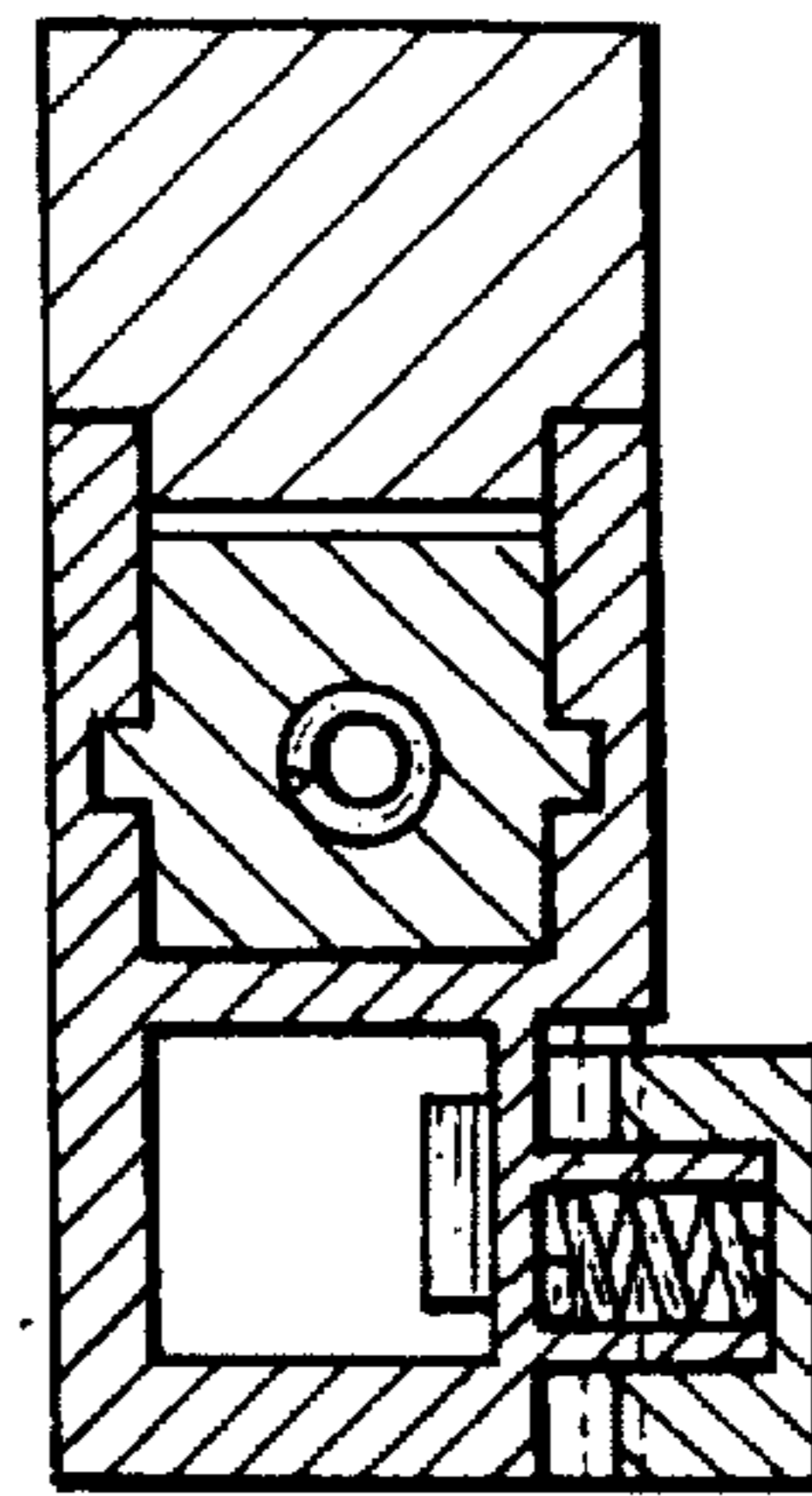


Fig. 5.

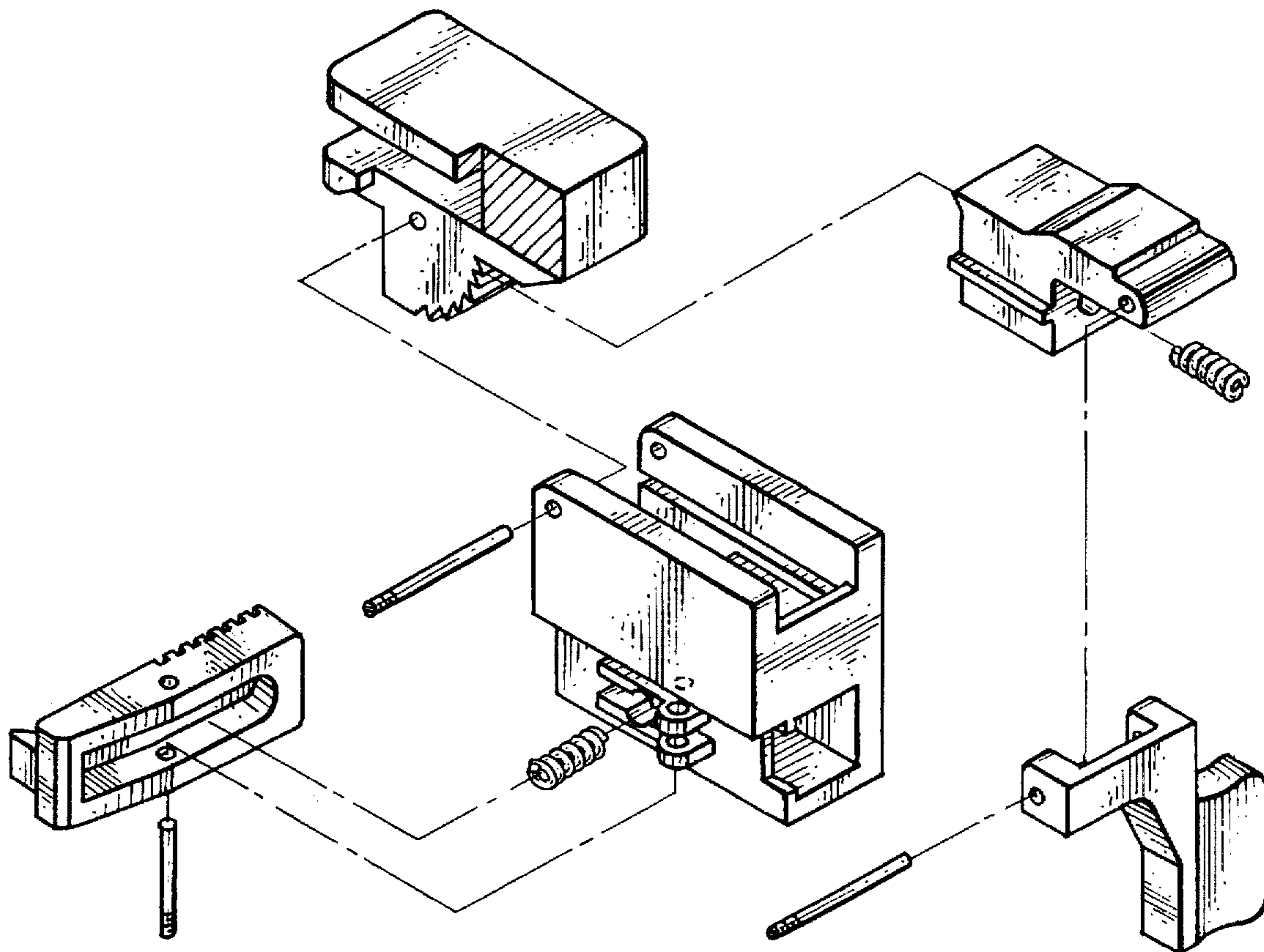


Fig. 6.