



US00D397788S

# United States Patent [19]

Olson et al.

[11] Patent Number: **Des. 397,788**

[45] Date of Patent: **\*\*Sep. 1, 1998**

[54] **IRRIGATION AND SUCTION INSTRUMENT**

[75] Inventors: **Daniel H. Olson**, Louisville; **Michael J. Laco**, Sherrodsville; **Mark R. Rufener**, Dover, all of Ohio

[73] Assignee: **Bristol-Myers Squibb Company**, New York, N.Y.

[\*\*] Term: **14 Years**

[21] Appl. No.: **58,699**

[22] Filed: **Aug. 21, 1996**

2,245,457	6/1941	Brassell .....	74/57
2,296,164	9/1942	Humphrey .....	74/57
2,389,918	11/1945	MacGill .....	230/58
2,470,888	5/1949	Degner .....	74/57
2,705,592	4/1955	Reiser .....	230/188
3,277,158	10/1966	Matingly .....	128/66
3,299,720	1/1967	Schudalla, Sr. et al. ....	74/57
3,696,809	10/1972	Moret .....	128/66
3,811,432	5/1974	Moret .....	128/66
4,145,166	3/1979	Justice .....	417/519
4,315,741	2/1982	Reichl .....	433/82
4,655,197	4/1987	Atkinson .....	128/66
5,062,796	11/1991	Rosenberg .....	433/80
5,246,367	9/1993	Ito et al. ....	433/80
5,470,305	11/1995	Arnett et al. ....	601/161

### Related U.S. Application Data

[63] Continuation-in-part of Ser. No. 602,231, Feb. 15, 1996.

[51] **LOC (6) Cl.** ..... **24-02**

[52] **U.S. Cl.** ..... **D24/112**

[58] **Field of Search** ..... **D24/111, 108, D24/113, 114, 115, 112, 176-182; 433/80, 81, 82, 83, 85, 88, 89; 604/30, 35, 39, 264, 902; 601/161**

[56] **References Cited**

#### U.S. PATENT DOCUMENTS

D. 356,866	3/1995	Meller .....	D24/176 X
D. 359,118	6/1995	Nates .....	D24/112
D. 376,422	12/1996	Bailey .....	D24/111
D. 378,699	4/1997	Niedospial et al. ....	D24/112
615,019	11/1898	Hershaw .....	74/57
724,338	3/1903	Sedivy .....	74/57
1,005,690	10/1911	Carlson .....	74/57
1,122,376	12/1914	Farmer .....	74/57
1,232,202	7/1917	Brown .....	74/57
1,723,100	8/1929	Voorhees .....	74/57
1,734,649	11/1929	Shall .....	74/57
2,193,394	3/1940	Deckert, Jr. ....	74/57

### FOREIGN PATENT DOCUMENTS

0 029 636 A1	6/1981	European Pat. Off. ....	A61H 13/00
2 262 890	7/1993	United Kingdom .....	A61C 17/028

*Primary Examiner*—Susan J. Lucas  
*Assistant Examiner*—Cynthia Ramirez  
*Attorney, Agent, or Firm*—Todd A. Dawson

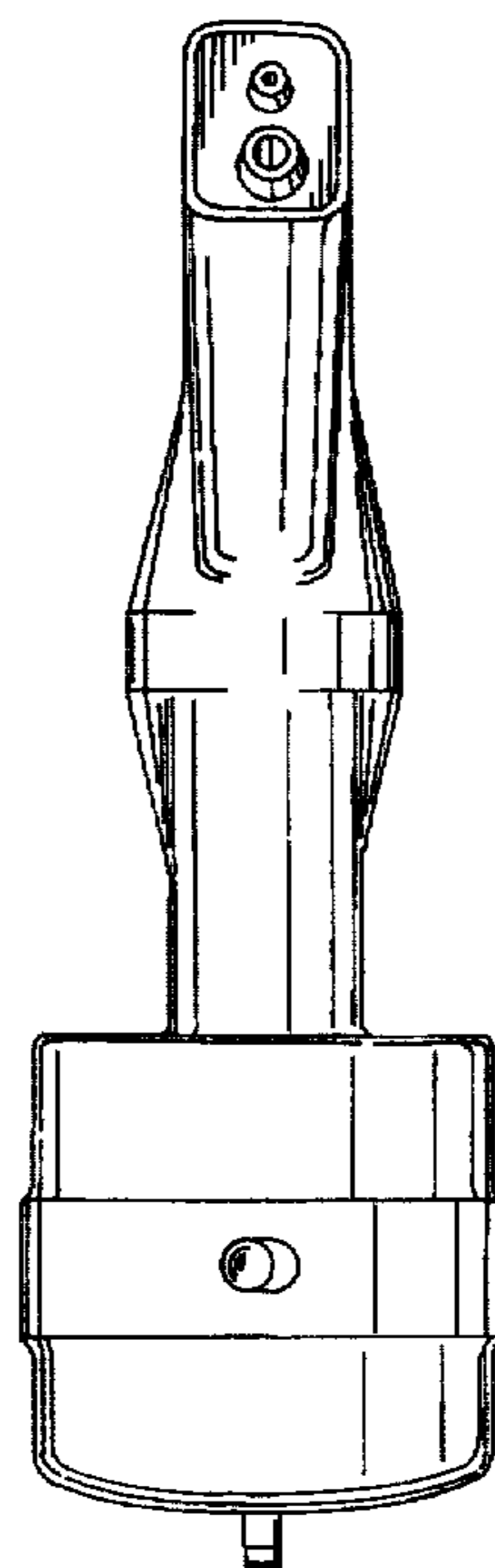
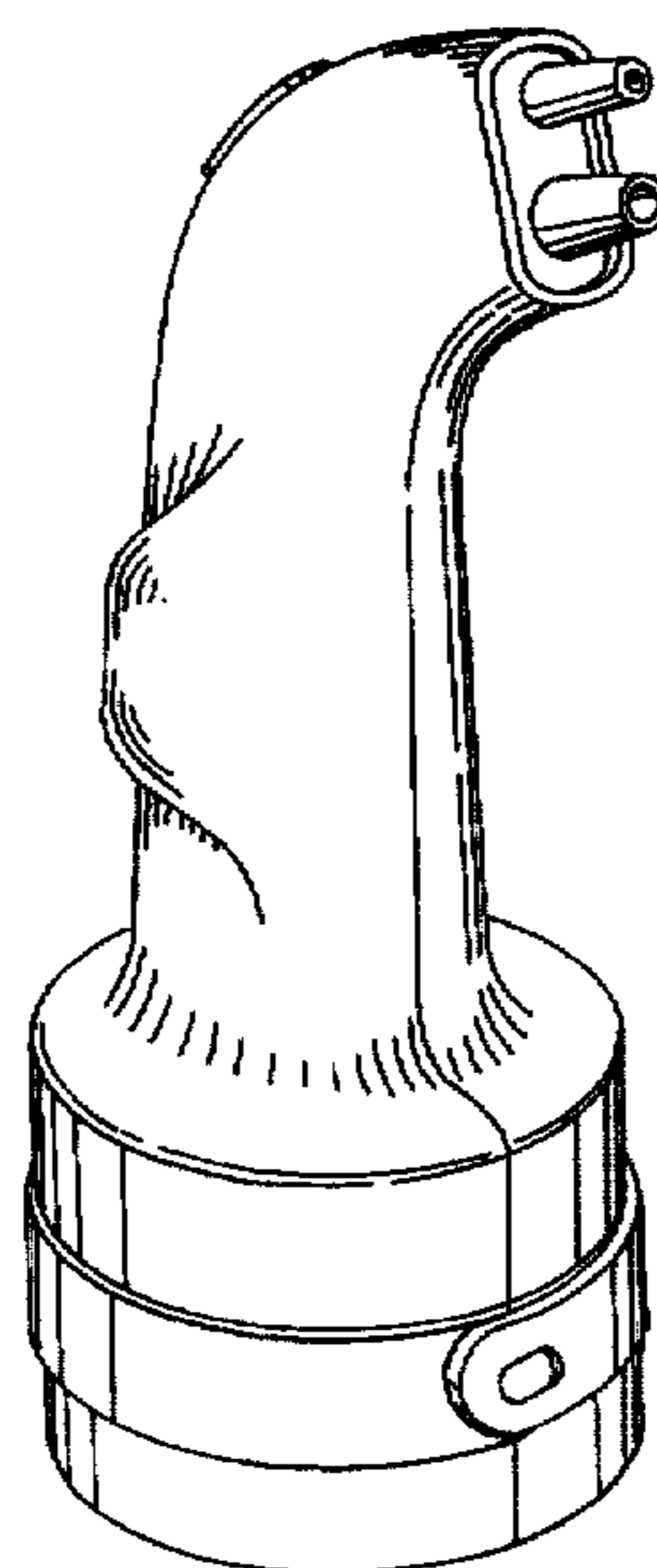
[57] **CLAIM**

The ornamental design for an irrigation and suction instrument, as shown and described.

### DESCRIPTION

FIG. 1 is a front perspective view of an irrigation and suction instrument illustrating our new design; FIG. 2 is a left side elevational view thereof; FIG. 3 is a right side elevational view thereof; FIG. 4 is a back elevational view thereof; FIG. 5 is a front elevational view thereof; FIG. 6 is a top plan view thereof; and, FIG. 7 is a bottom plan view thereof.

**1 Claim, 4 Drawing Sheets**



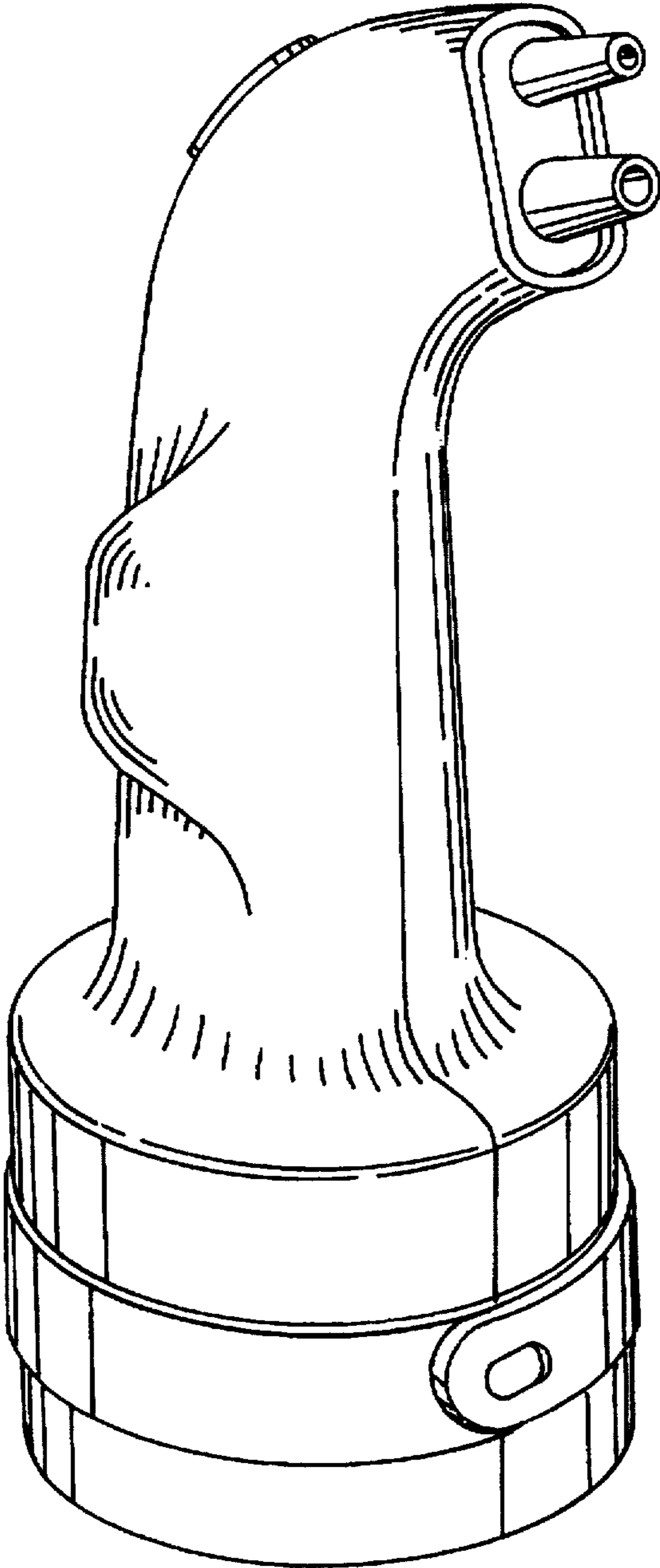


FIG. 1

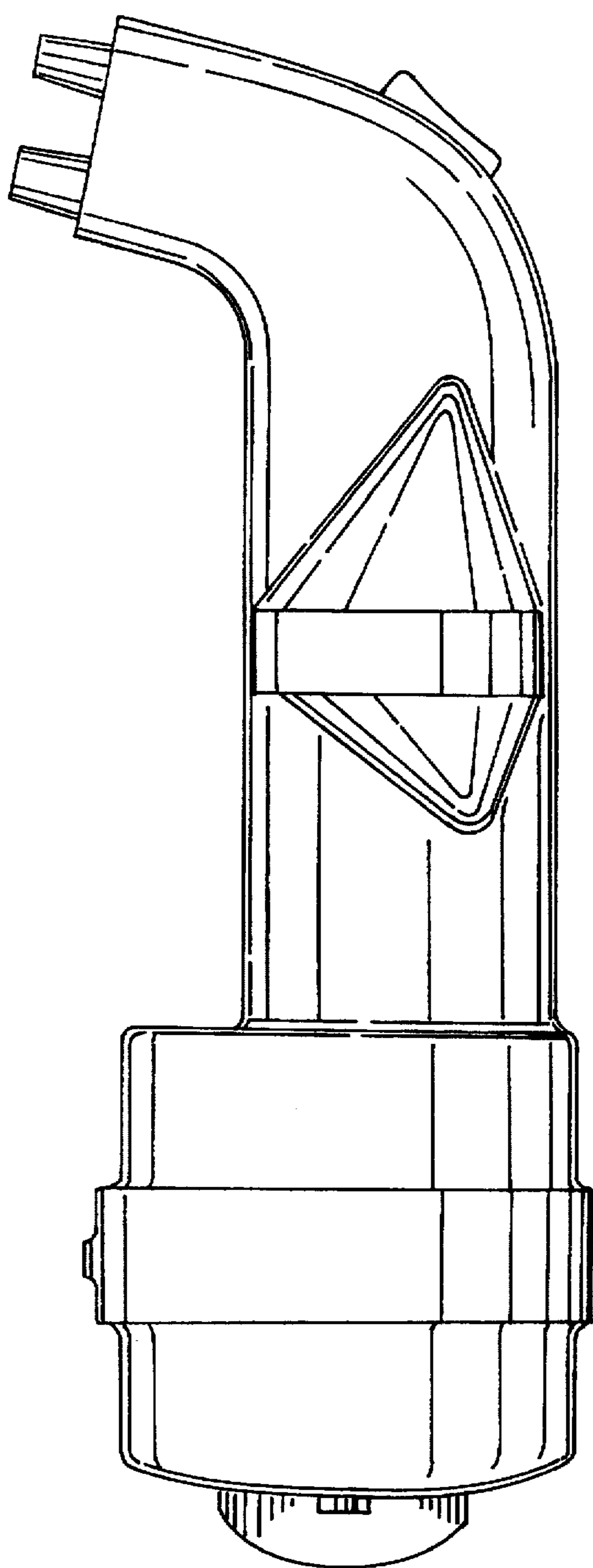


FIG. 2

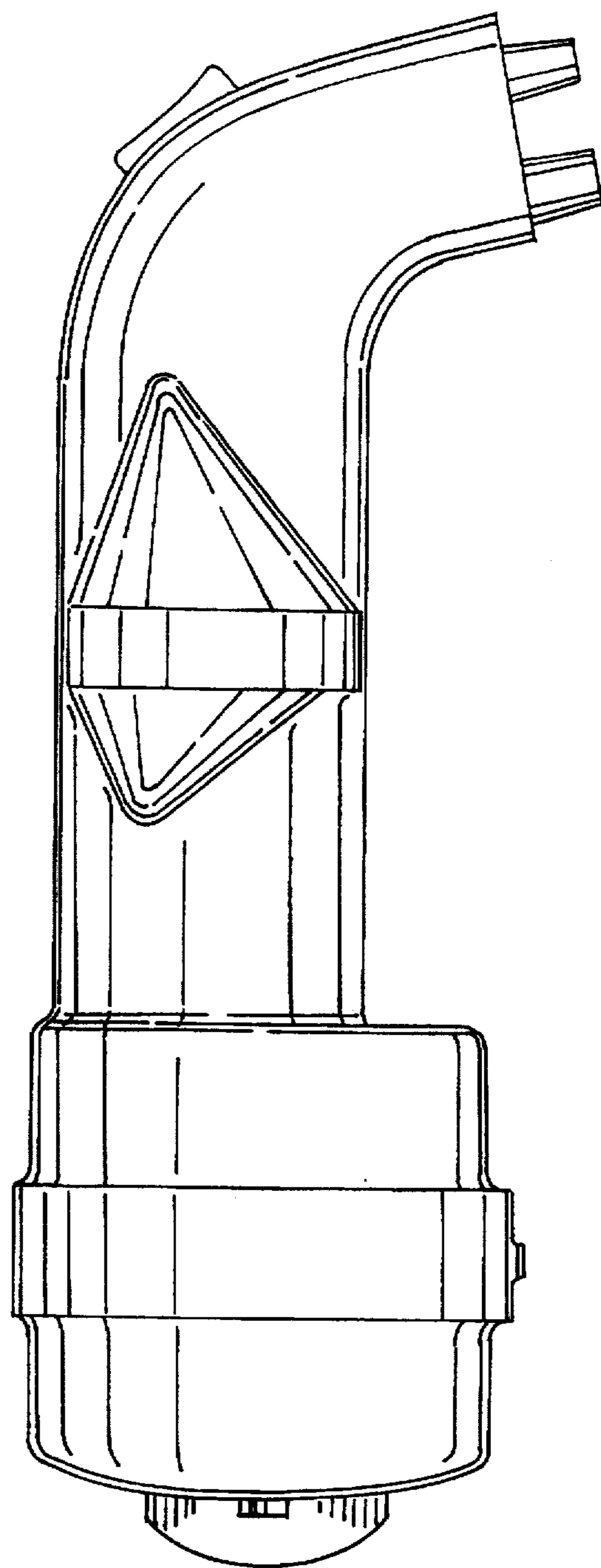


FIG. 3

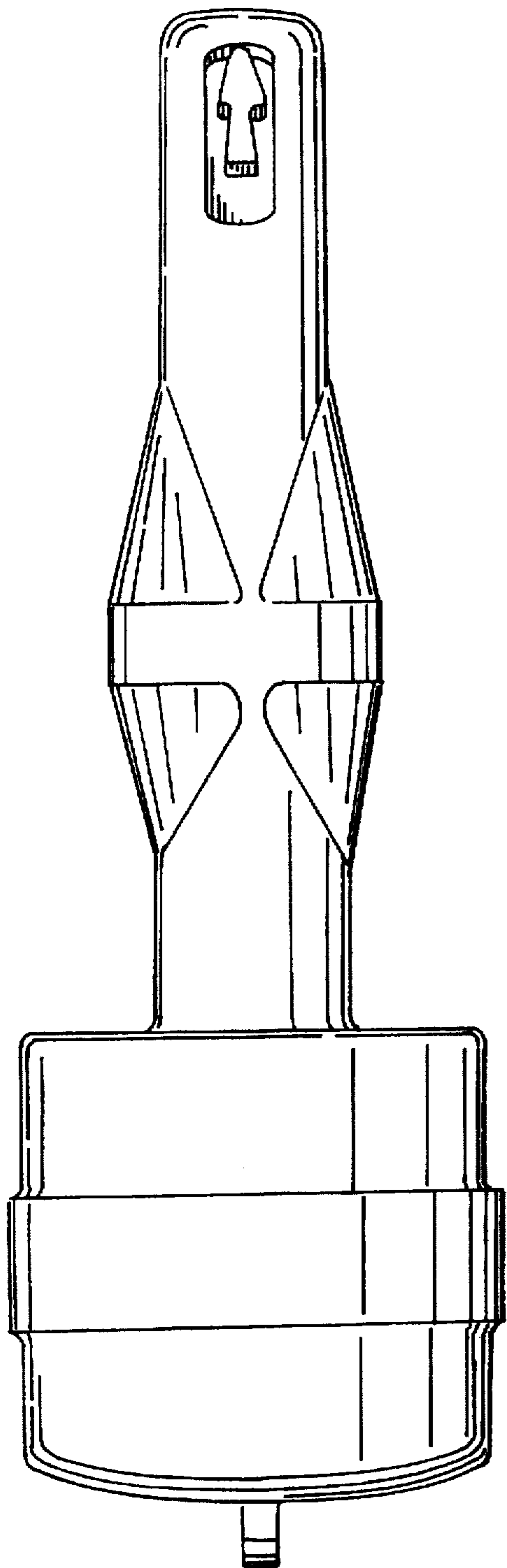


FIG. 4

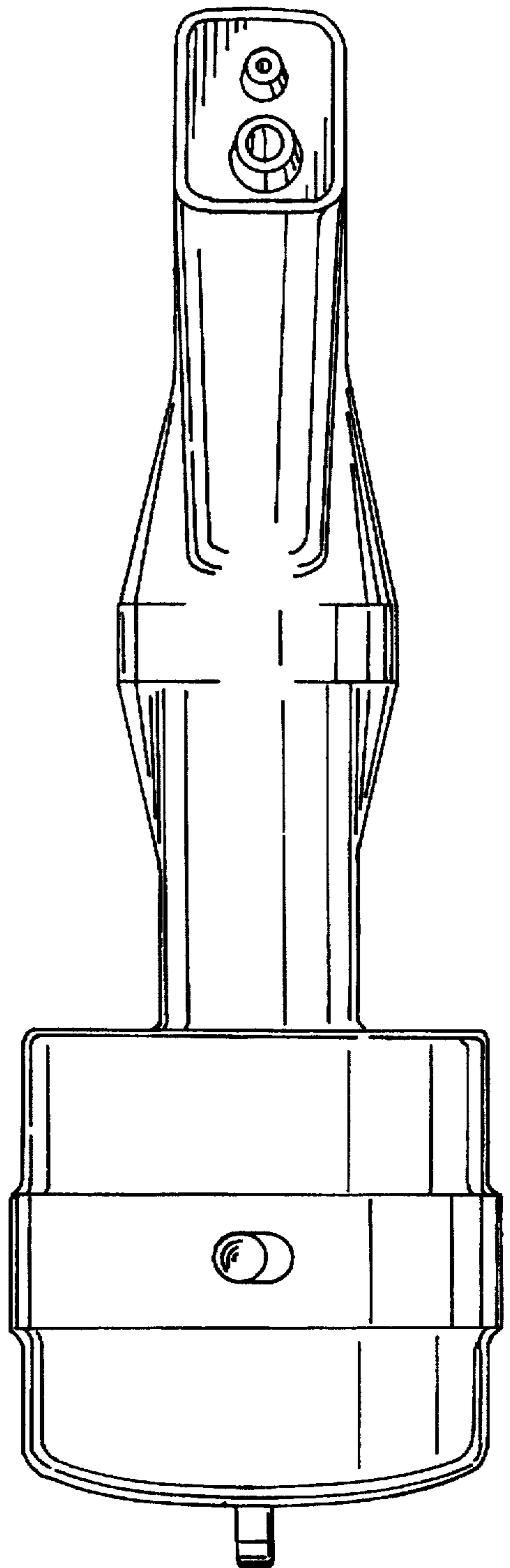


FIG. 5



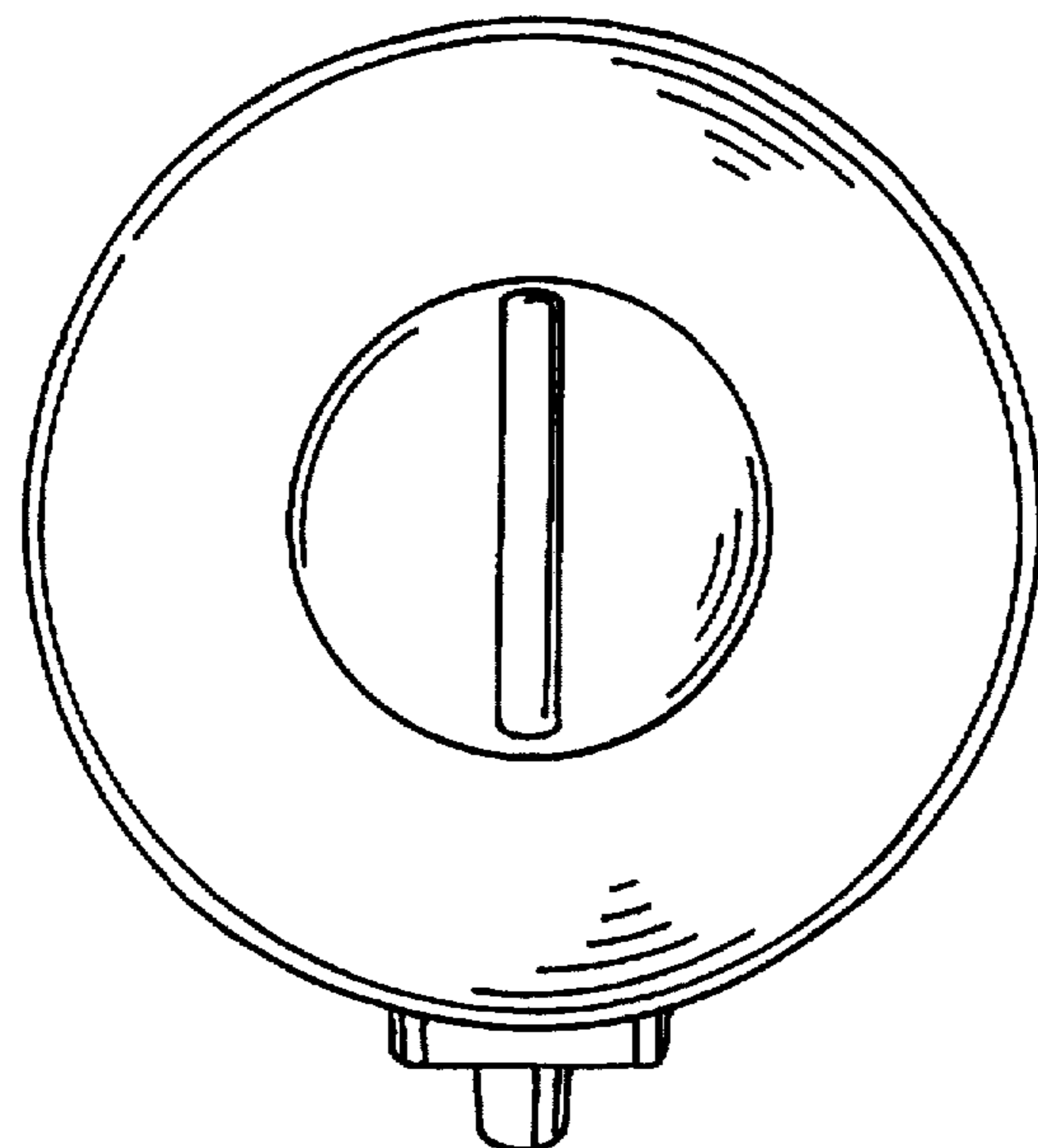


FIG. 6

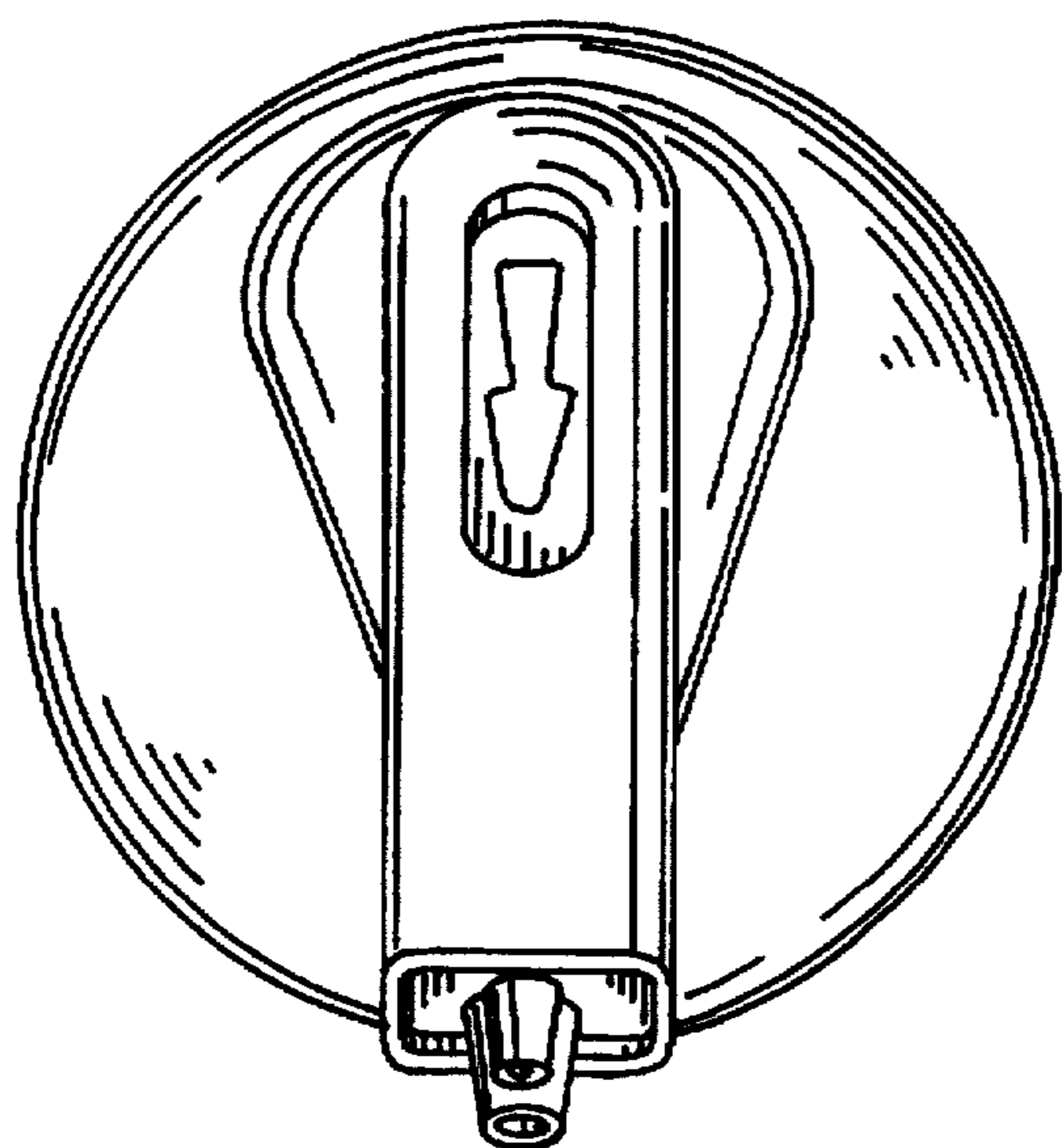


FIG. 7