



US00D397784S

United States Patent [19]

Piontek et al.

[11] Patent Number: **Des. 397,784**

[45] Date of Patent: ****Sep. 1, 1998**

[54] **FLUID DELIVERY UNIT**

[75] Inventors: **Carl Joseph Piontek, Powell; Robert Donald Clegg, Pickerington; Bradford Lynn Buck, Gahanna; Matthew Scott Fleming; Grant Richard Wilson, both of Columbus; William Edward Patton, Dublin; William Fred Lyon, Marengo, all of Ohio**

[73] Assignee: **Abbott Laboratories, Abbott Park, Ill.**

[**] Term: **14 Years**

[21] Appl. No.: **44,271**

[22] Filed: **Sep. 21, 1995**

[51] LOC (6) Cl. **24-02**

[52] U.S. Cl. **D24/108; D24/112; D24/118; D24/128**

[58] Field of Search **D24/108, 111, D24/112, 118, 107, 129; 604/27, 34, 36, 251, 264, 283, 284, 403, 410, 412, 413, 905, 4, 6, 30; 128/764, 763, 765, 766**

[56] **References Cited**

U.S. PATENT DOCUMENTS

- D. 242,653 12/1976 Ekbladh et al. D24/118
- D. 332,657 1/1993 Bamford D24/108

- D. 338,063 8/1993 Idowu D24/112 X
- 4,248,223 2/1981 Turner et al. 604/251 X
- 5,057,081 10/1991 Sunderland et al. D24/108 X

Primary Examiner—Pamela Burgess
Attorney, Agent, or Firm—Brian R. Woodworth

[57] **CLAIM**

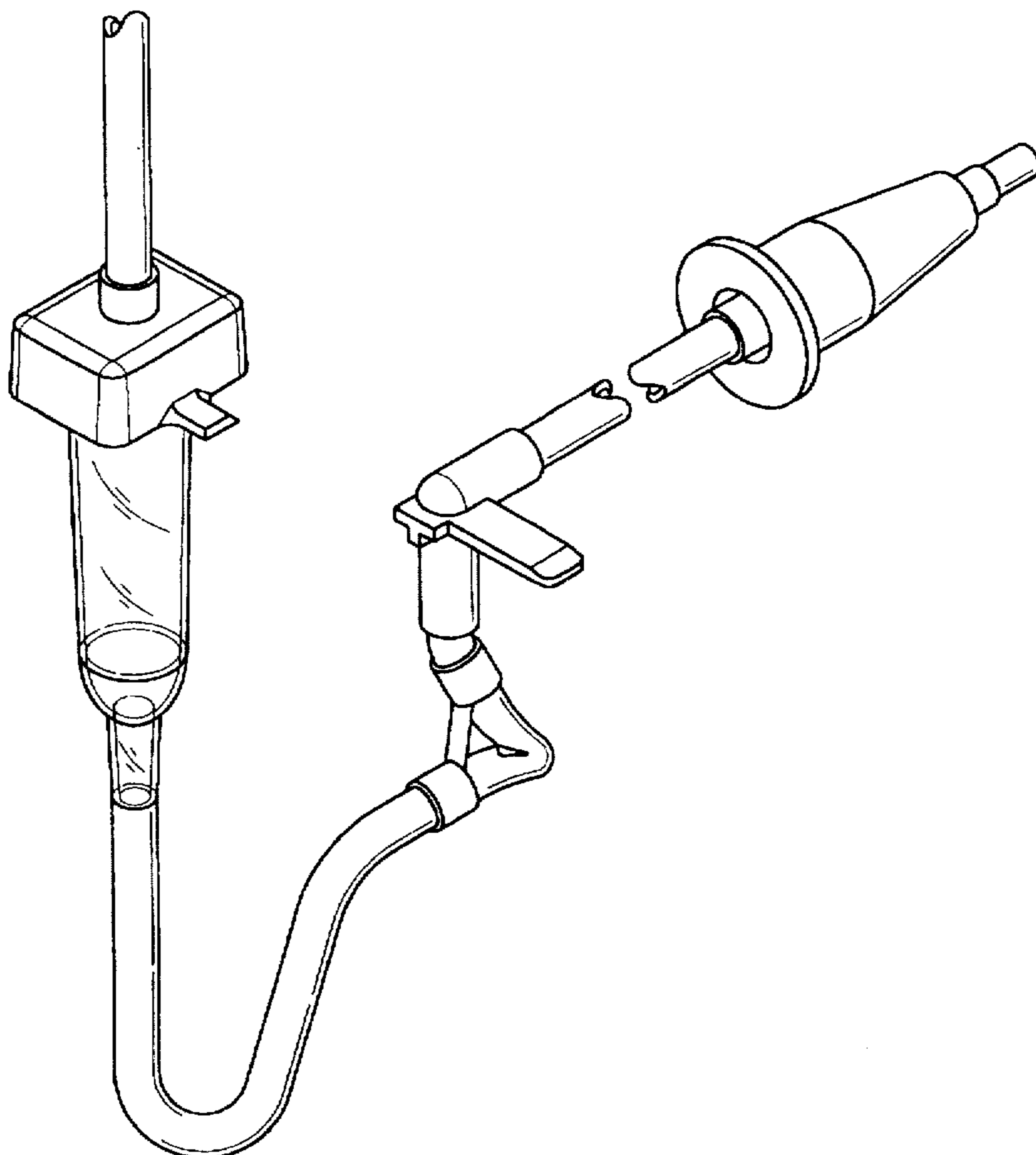
The ornamental design for a fluid delivery unit, as shown and described.

DESCRIPTION

FIG. 1 is a perspective view of a fluid delivery unit showing our new design;
 FIG. 2 is a front elevation view thereof;
 FIG. 3 is a top view thereof;
 FIG. 4 is a left side elevation view thereof;
 FIG. 5 is a right side elevation view thereof;
 FIG. 6 is a rear elevation view thereof; and
 FIG. 7 is a bottom view thereof.

FIG. 8 is a perspective view of a fluid delivery unit showing an alternative embodiment of our new design;
 FIG. 9 is a front elevation view thereof;
 FIG. 10 is a top view thereof;
 FIG. 11 is a left side elevation view thereof;
 FIG. 12 is a right side elevation view thereof;
 FIG. 13 is a rear elevation view thereof; and,
 FIG. 14 is a bottom view thereof.

1 Claim, 6 Drawing Sheets



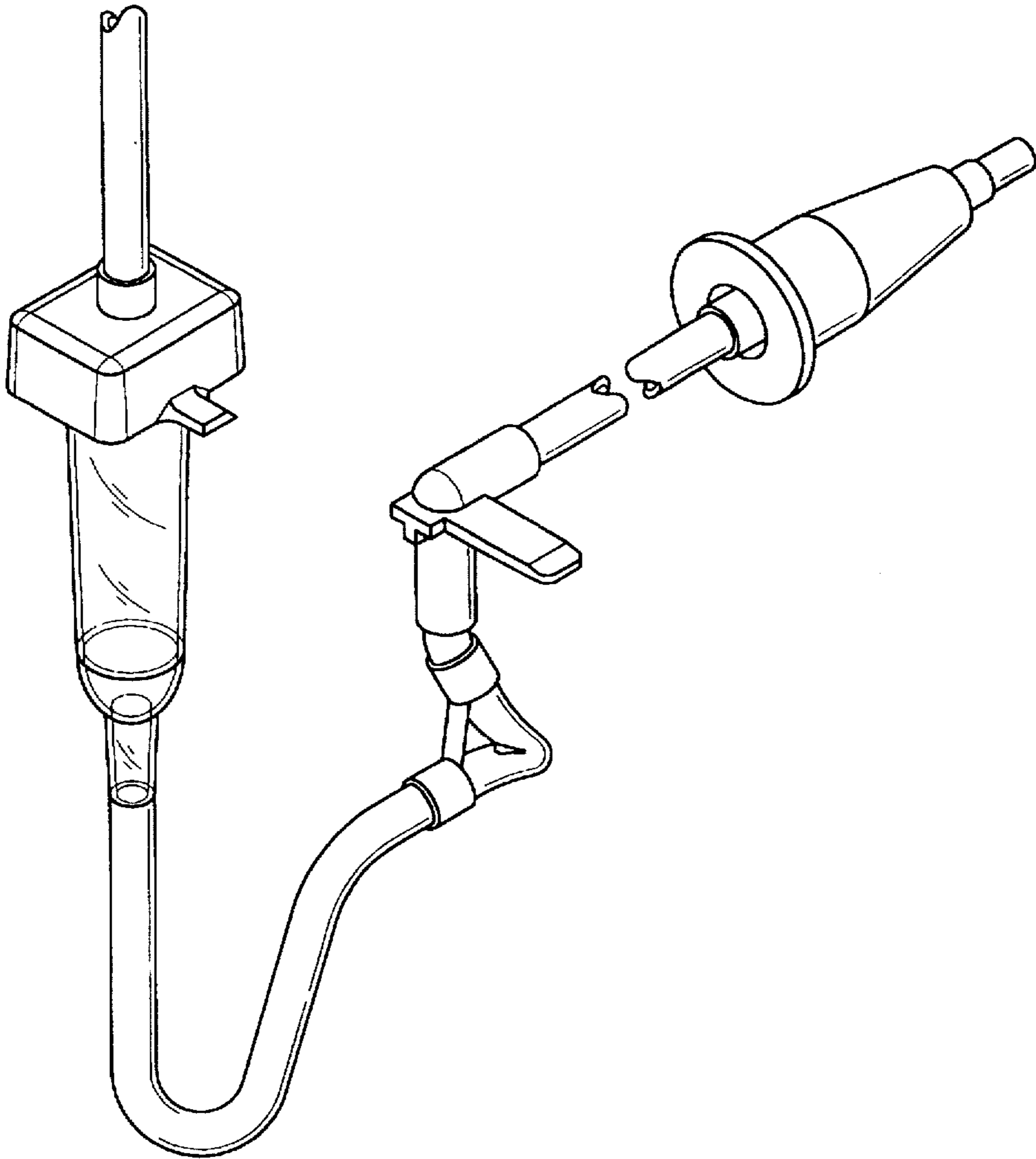


FIG-1

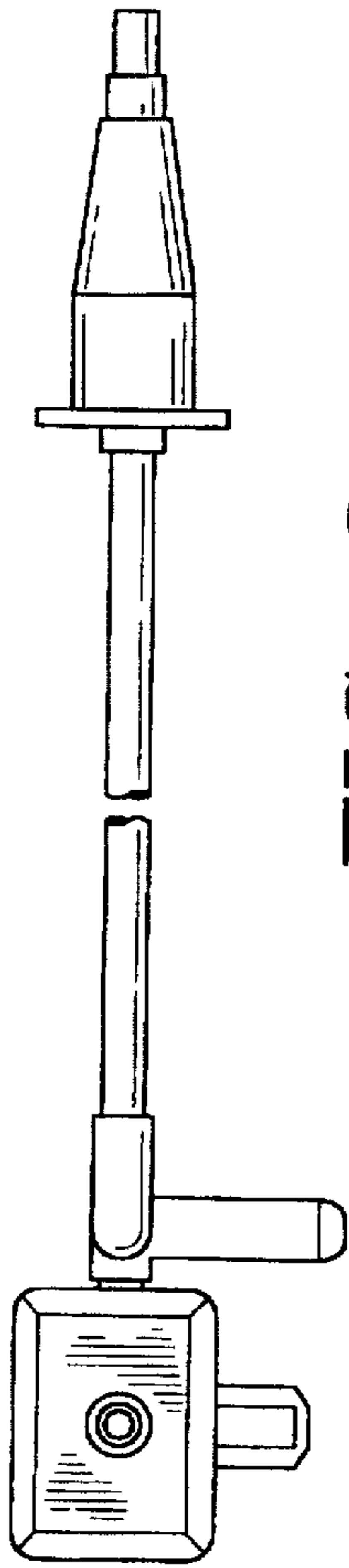


FIG-3

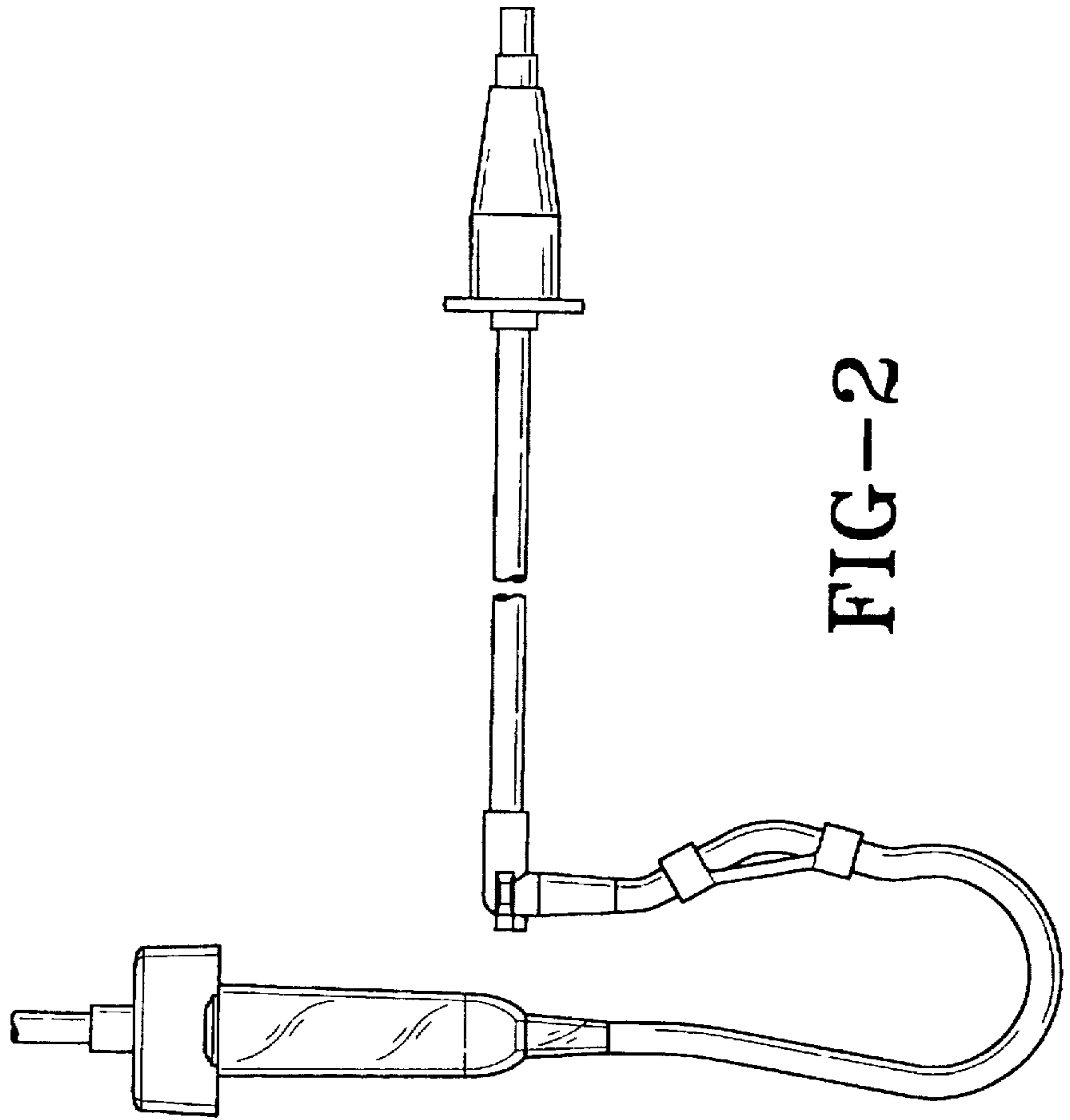


FIG-2

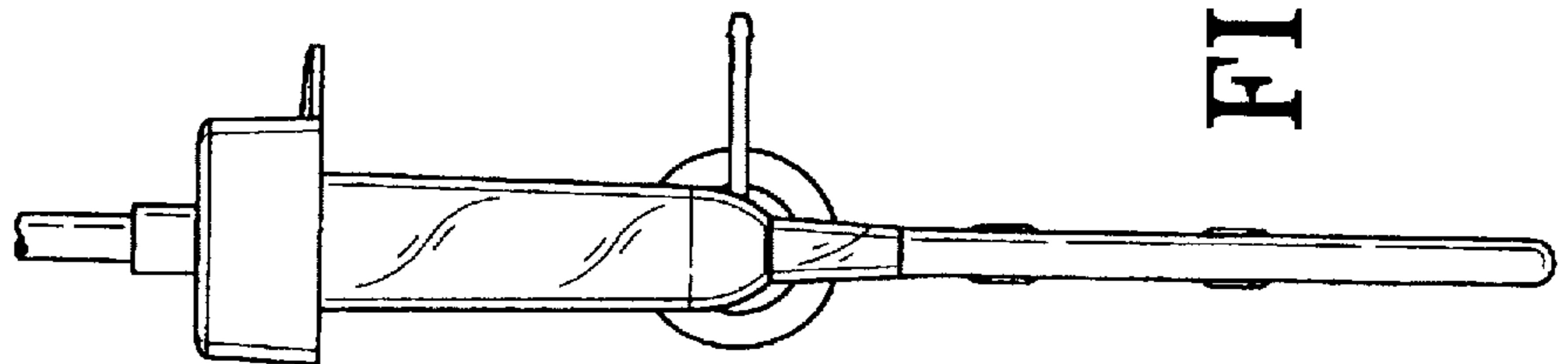


FIG-4

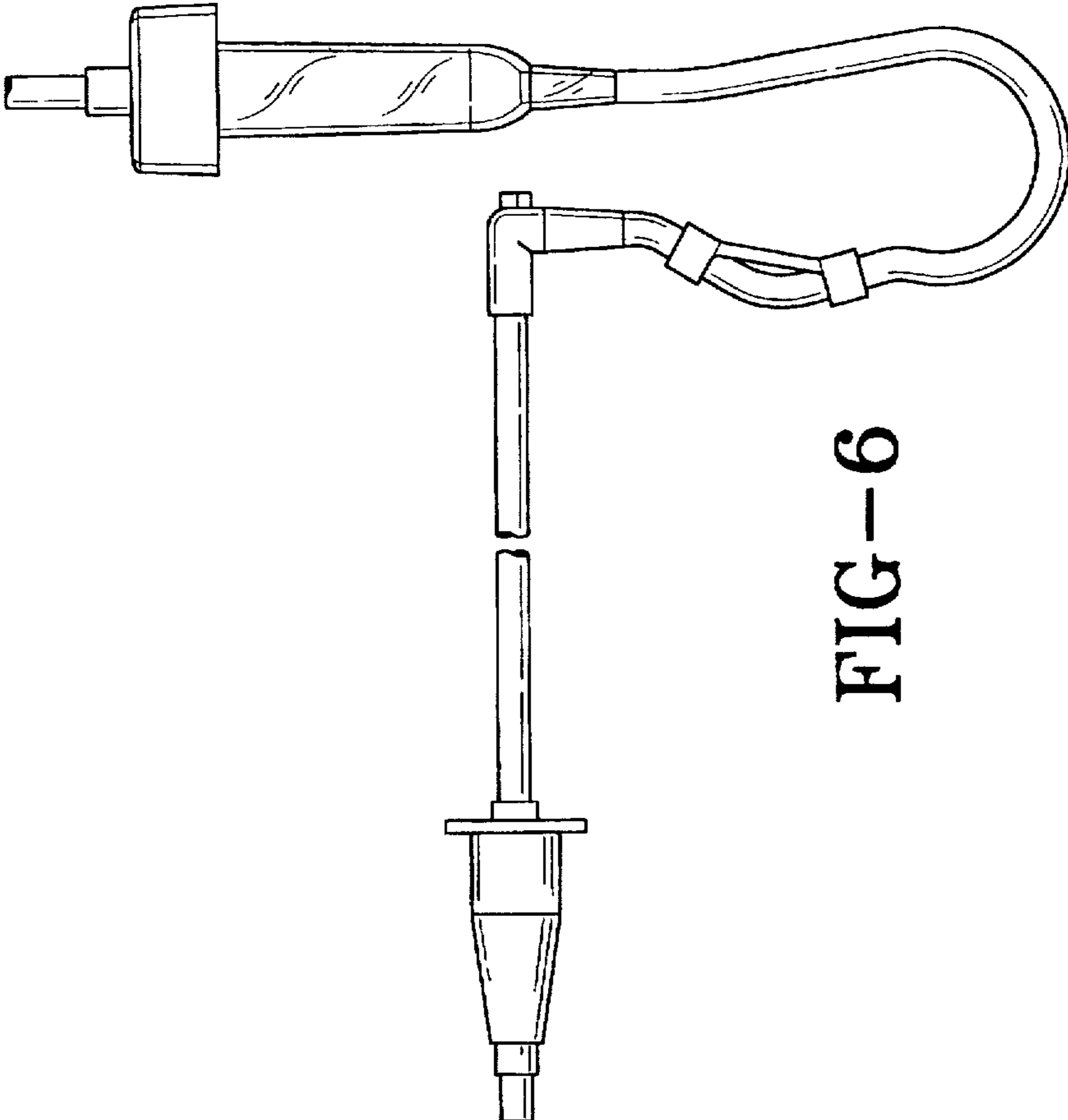


FIG-6

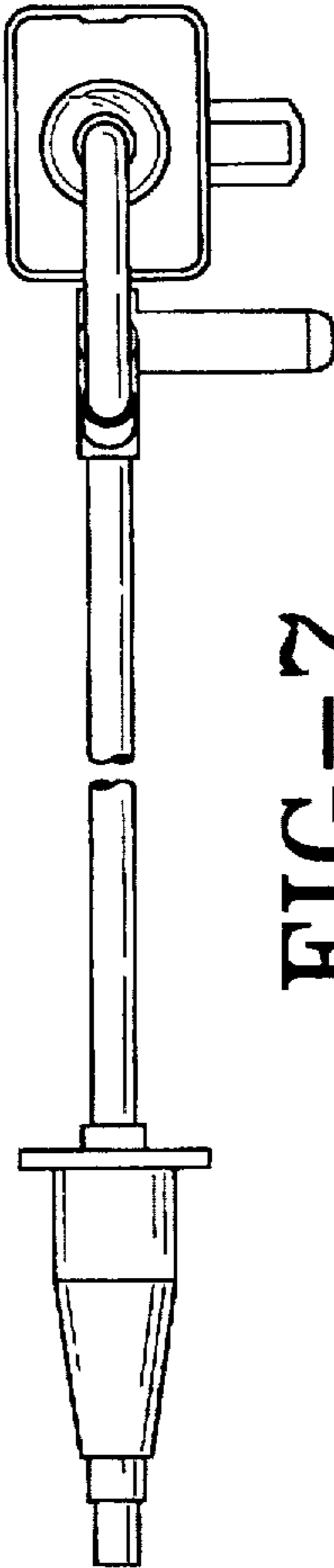


FIG-7

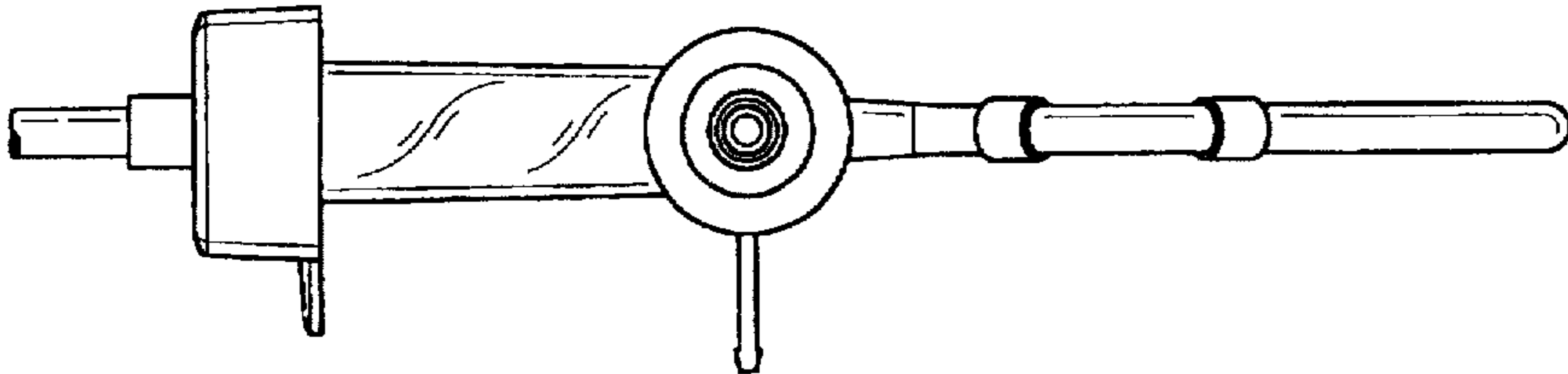


FIG-5

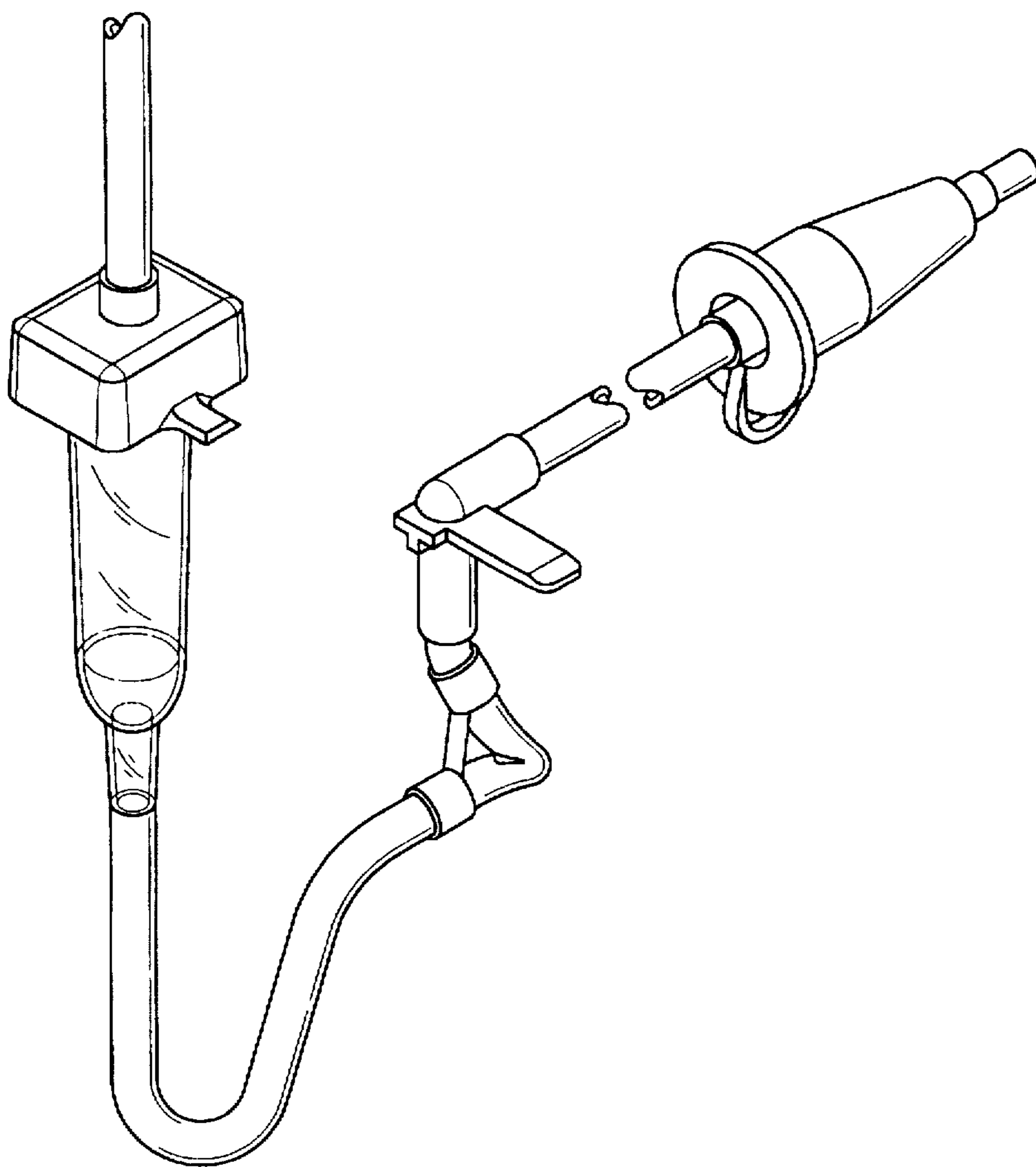


FIG-8

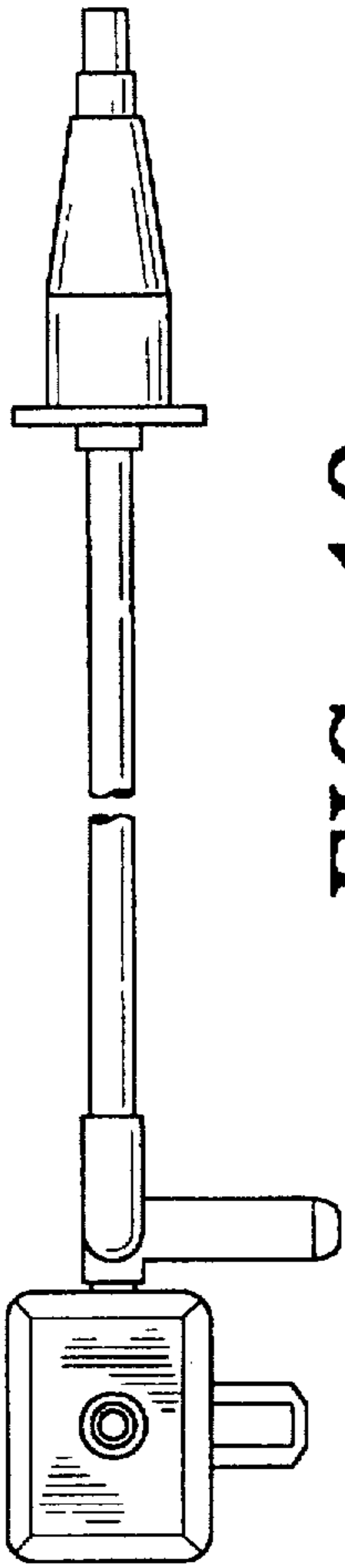


FIG-10

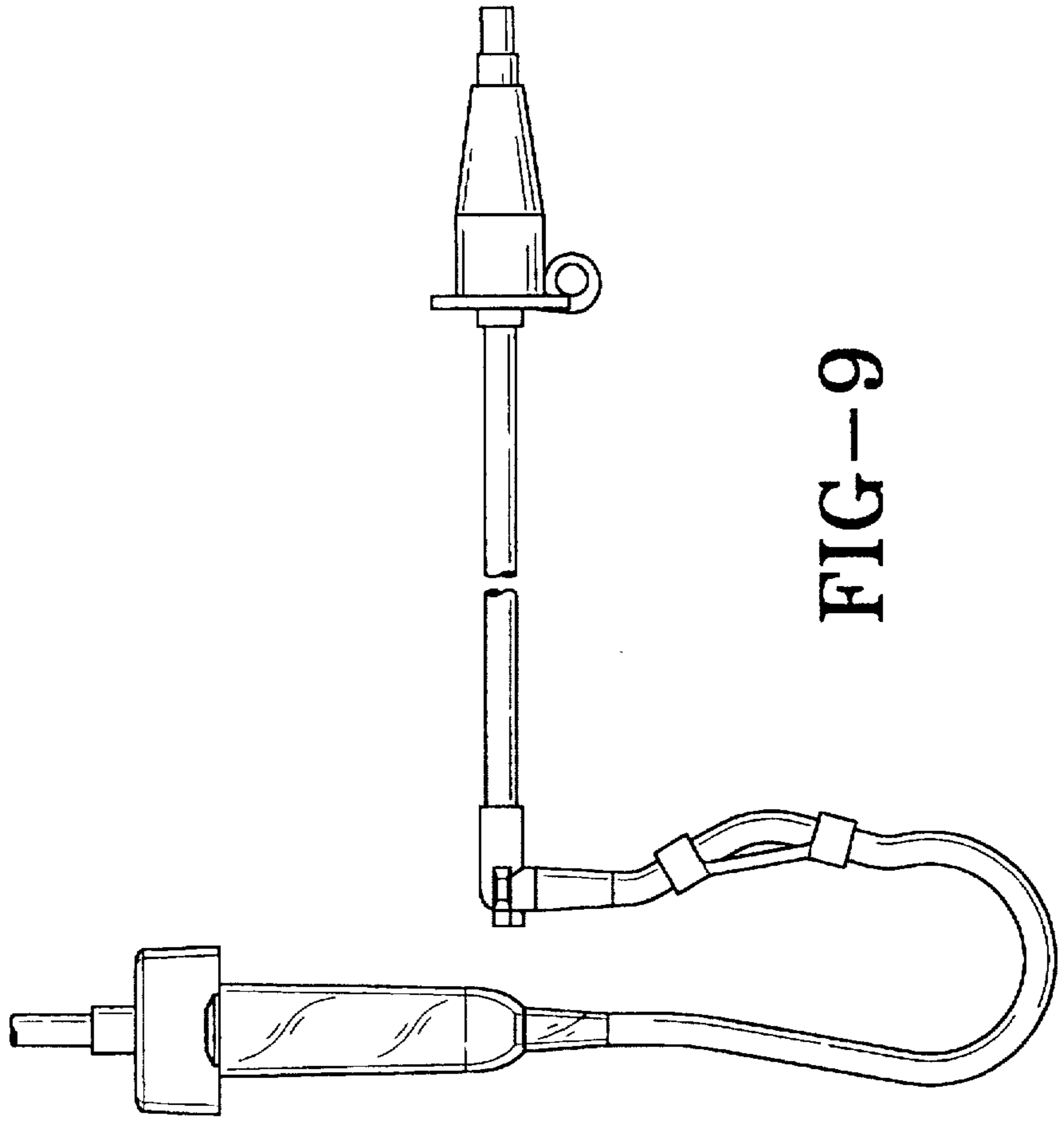


FIG-9

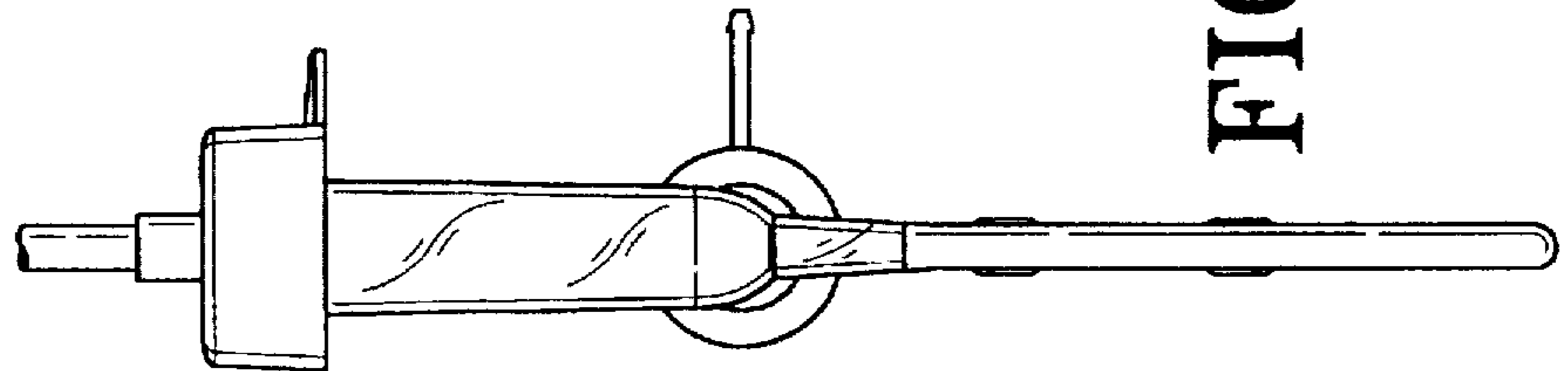


FIG-11

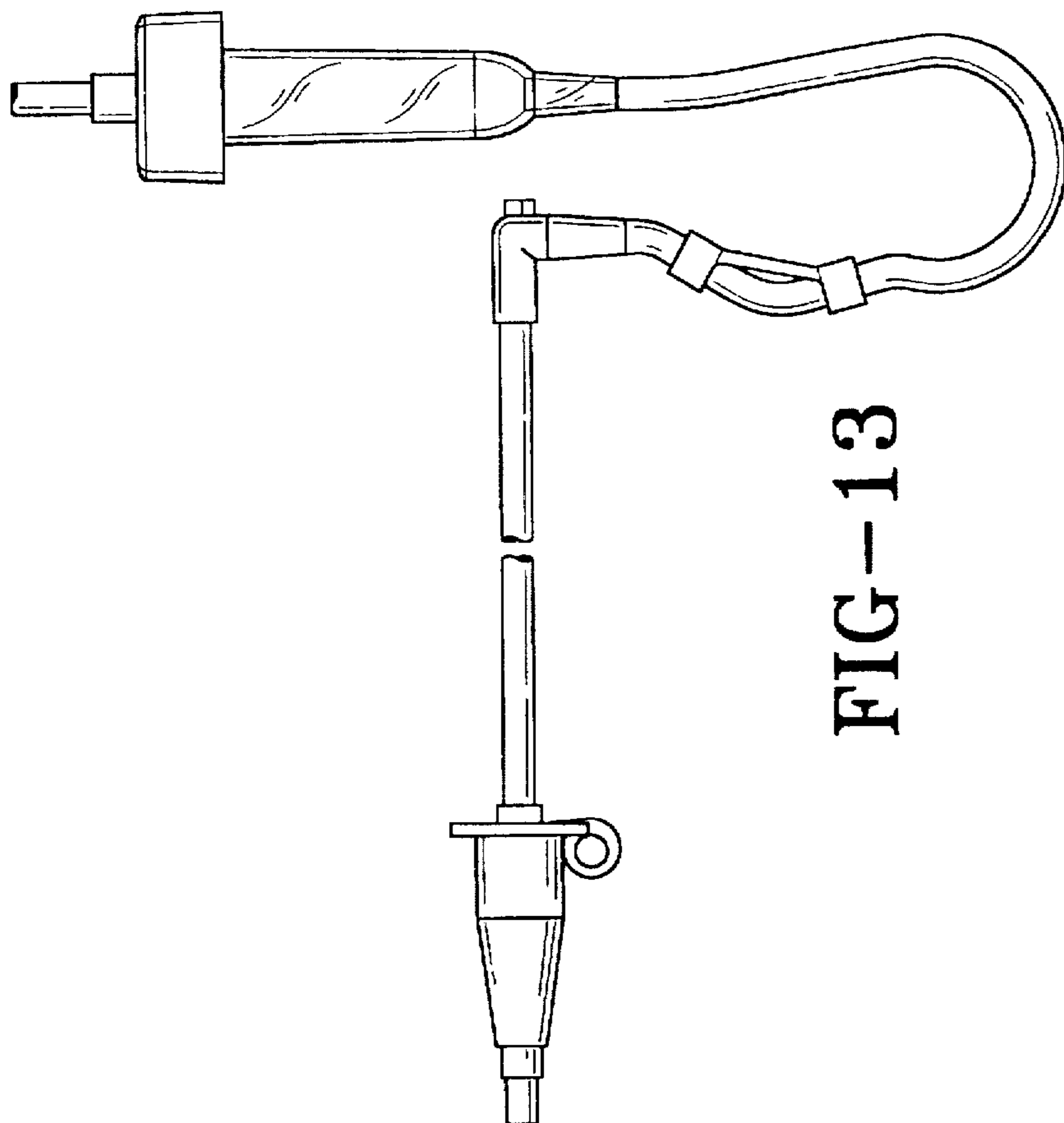


FIG-13

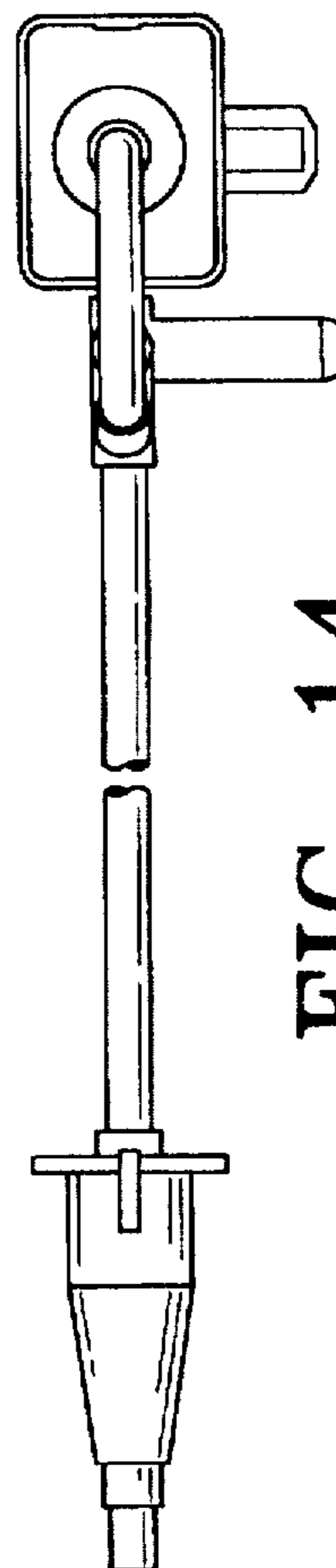


FIG-14

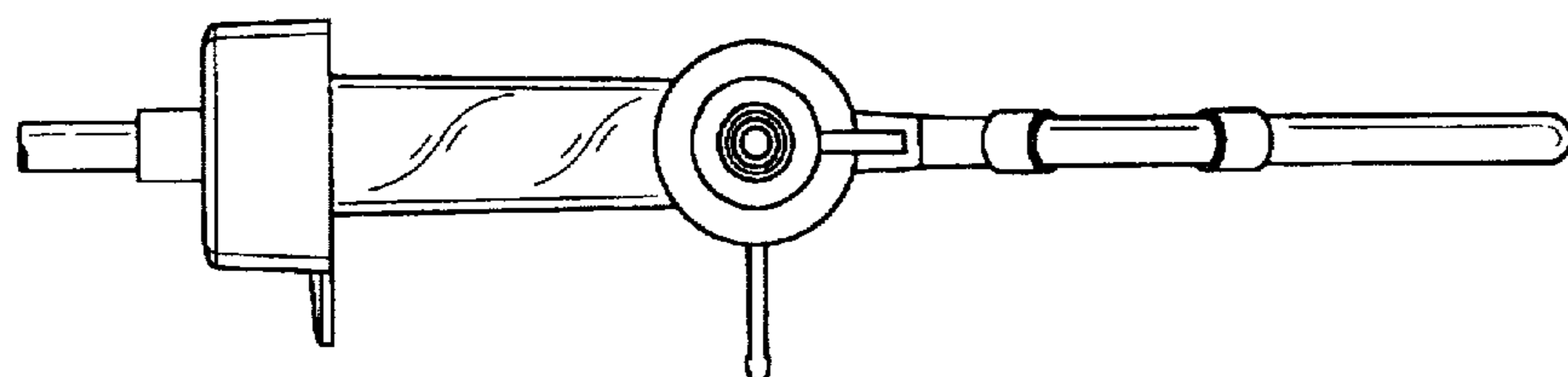


FIG-12