



US00D397782S

United States Patent [19]
Gee, II

[11] **Patent Number: Des. 397,782**

[45] **Date of Patent: **Sep. 1, 1998**

[54] **COMBINED CANOPY, SUPPORT ROD, HOUSING, BLADE IRONS AND LIGHT FIXTURE UNIT FOR A CEILING FAN**

[75] **Inventor: Jack W. Gee, II, Huntsville, Ala.**

[73] **Assignee: Hunter Fan Company, Memphis, Tenn.**

[**] **Term: 14 Years**

[21] **Appl. No.: 75,392**

[22] **Filed: Aug. 19, 1997**

[51] **LOC (6) Cl. 23-04**

[52] **U.S. Cl. D23/411; D23/379; D23/385**

[58] **Field of Search D23/377, 379, D23/385, 411; 416/5, 210 R; 392/364; 362/96; D26/81-86, 88, 51, 59, 72**

[56] **References Cited**

U.S. PATENT DOCUMENTS

- D. 303,425 9/1989 Sonneman D23/379
- D. 345,206 3/1994 Di Pasquale D23/411
- D. 367,321 2/1996 Holbrook D23/411

- D. 382,955 8/1997 Liu D23/377
- D. 384,737 10/1997 Gee, II D23/377
- D. 386,574 11/1997 Gee, II D23/377

Primary Examiner—Lisa Lichtenstein
Attorney, Agent, or Firm—Baker, Donelson, Bearman & Caldwell

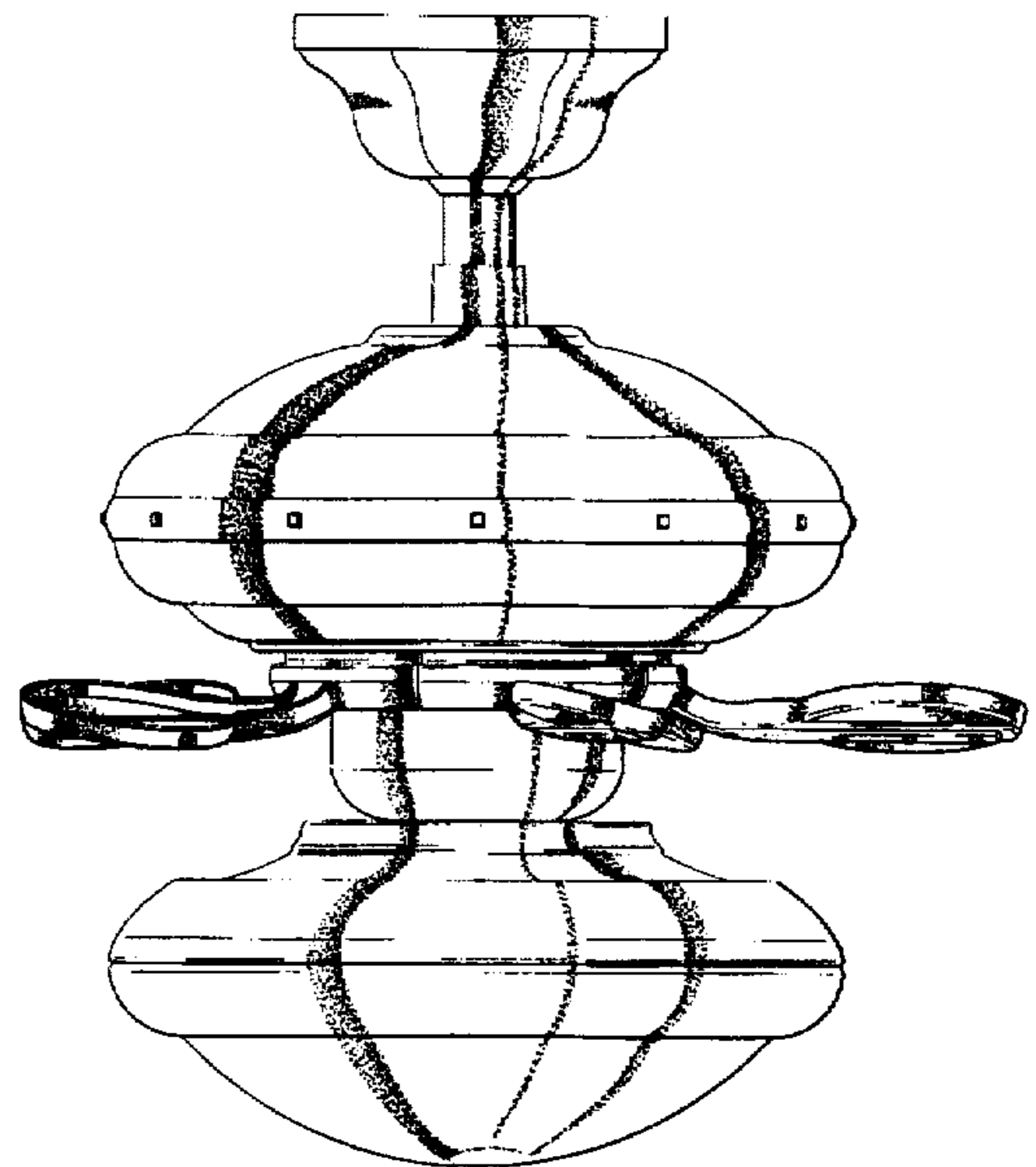
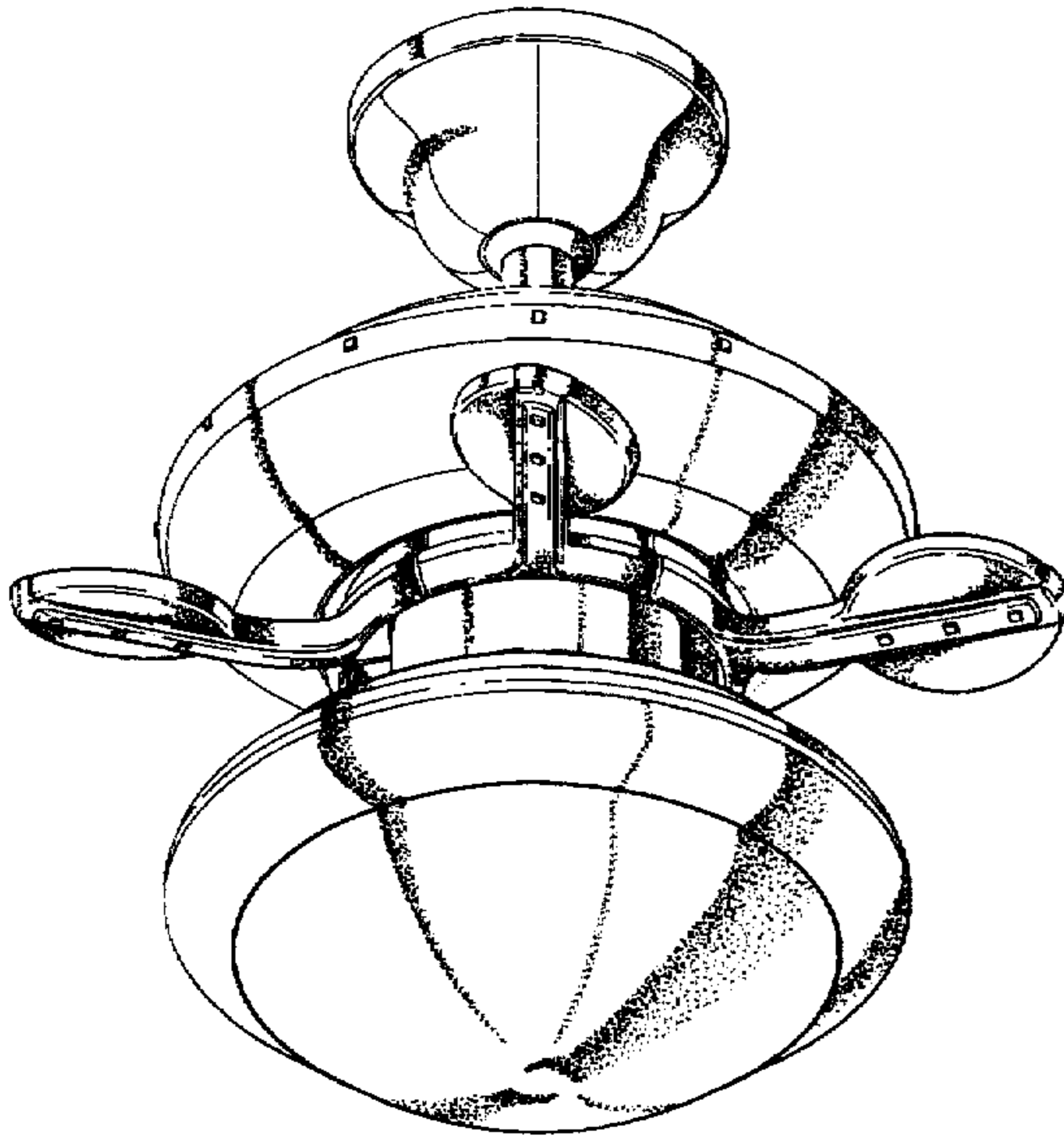
[57] **CLAIM**

The ornamental design for a combined canopy, support rod, housing, blade irons and light fixture unit for a ceiling fan, as shown.

DESCRIPTION

FIG. 1 is a perspective view of a combined canopy, support rod, housing, blade irons and light fixture unit for a ceiling fan showing my new design;
FIG. 2 is a front view thereof;
FIG. 3 is a right-side view thereof;
FIG. 4 is a rear view thereof;
FIG. 5 is a left-side view thereof;
FIG. 6 is a top view thereof; and,
FIG. 7 is a bottom view thereof.

1 Claim, 7 Drawing Sheets



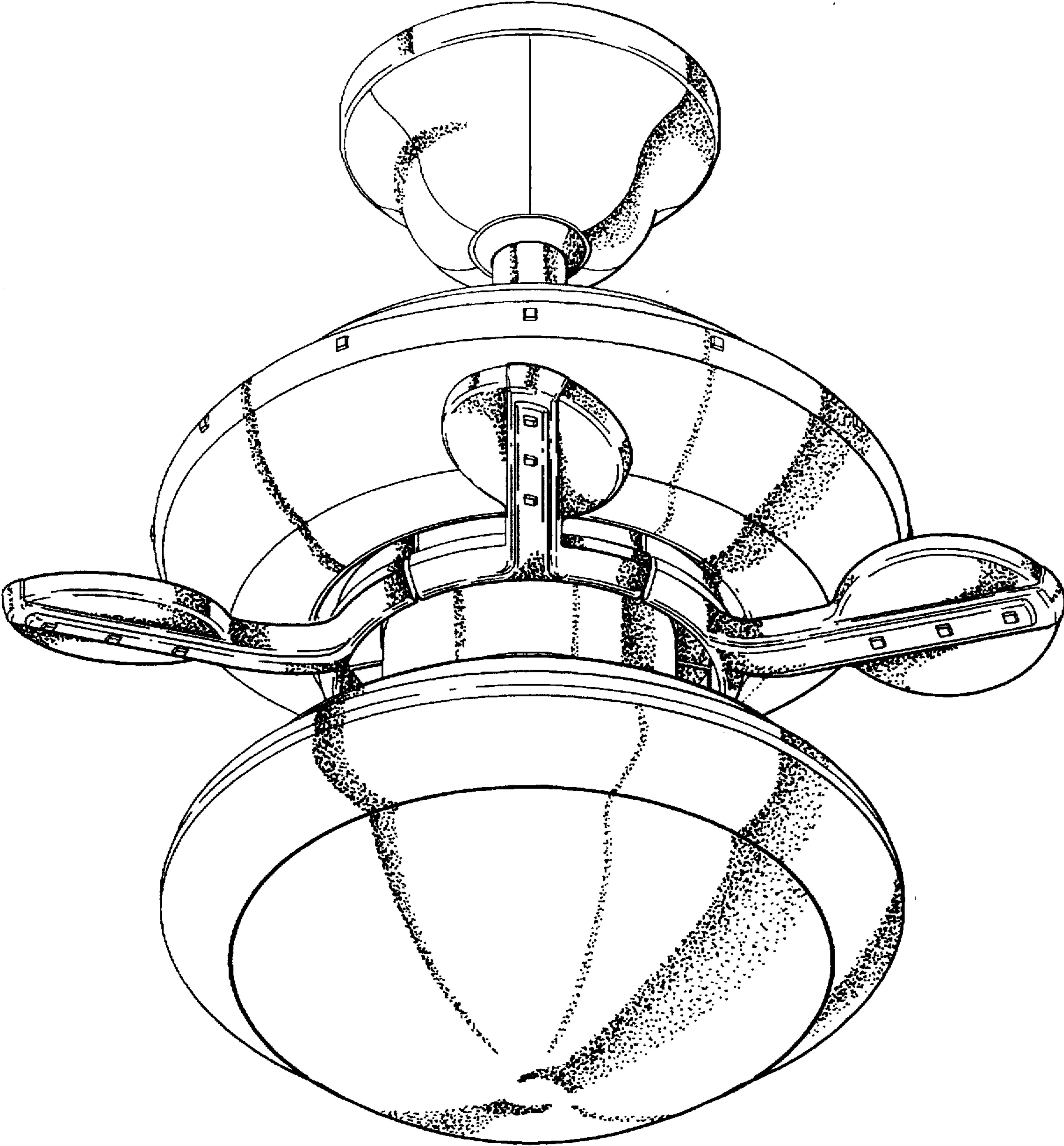


FIG 1

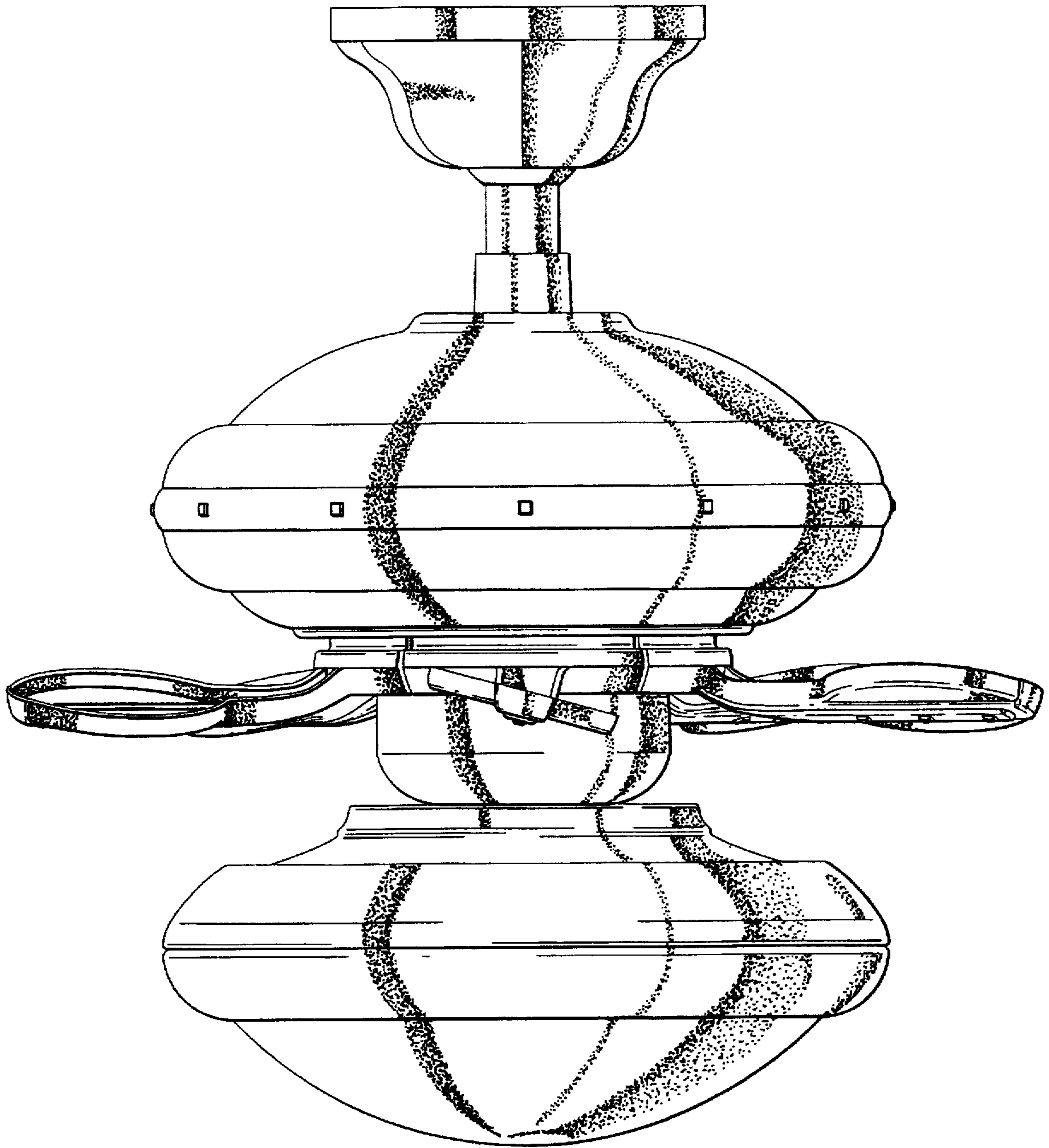


FIG 2

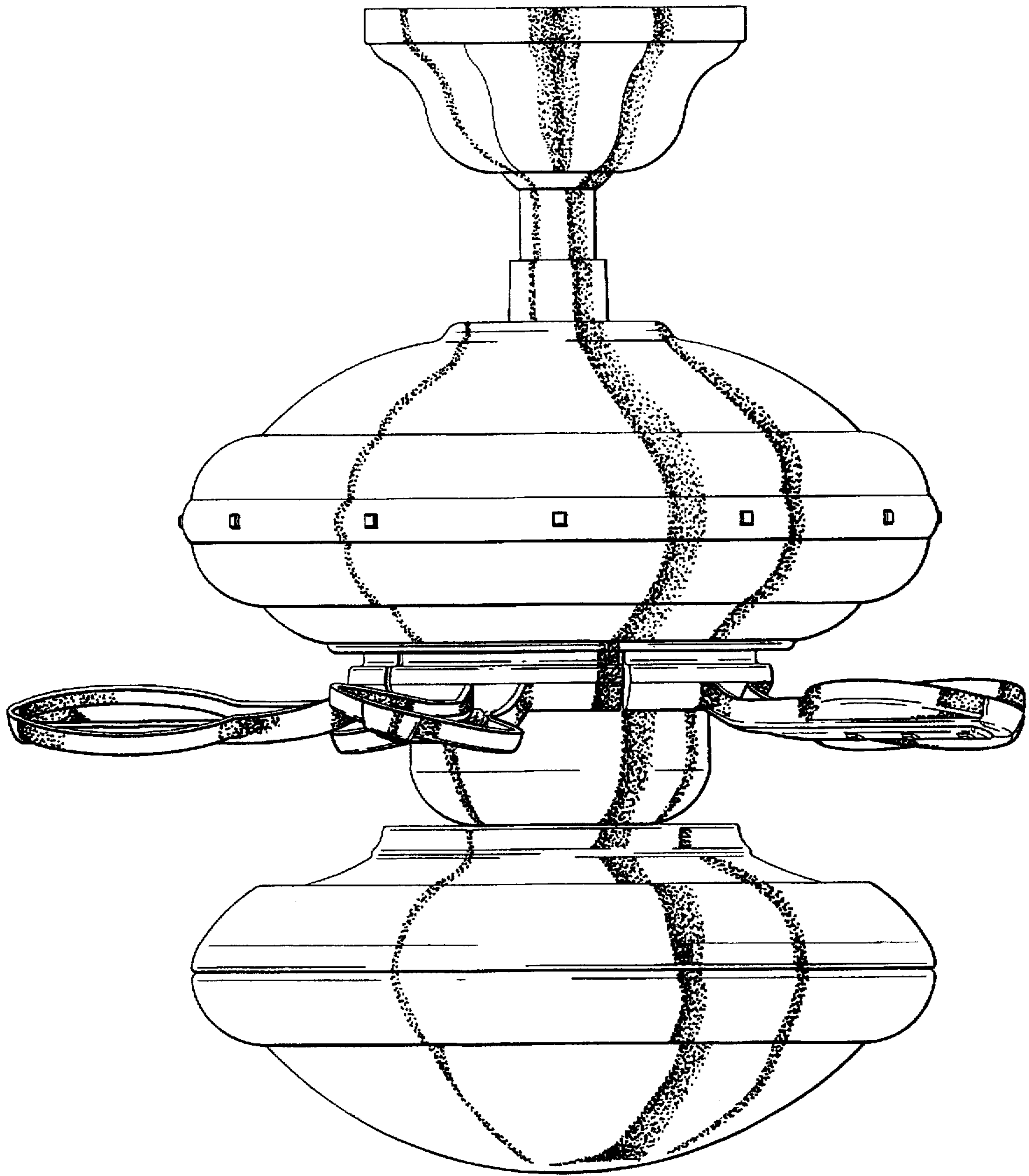


FIG 3

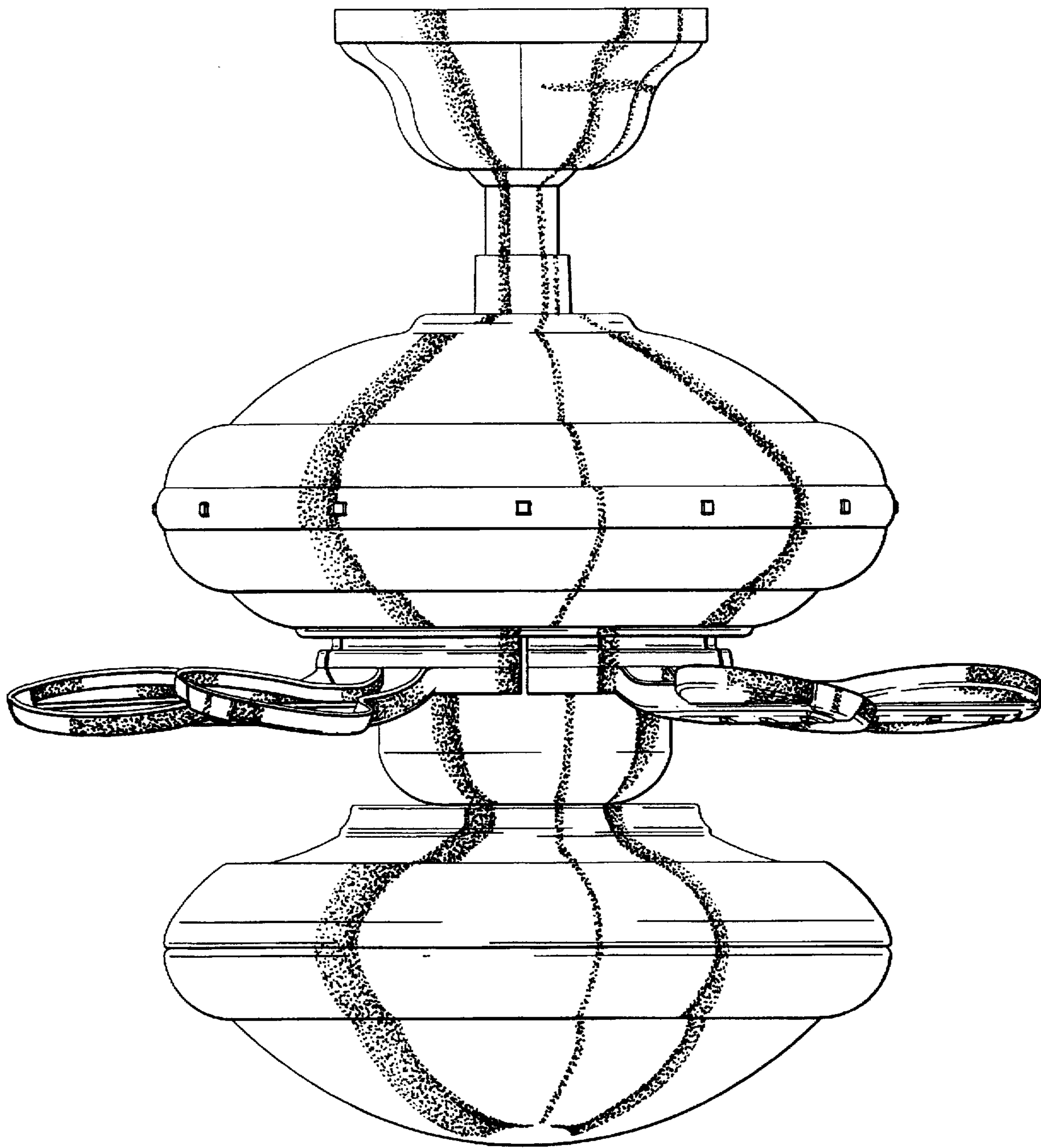


FIG 4

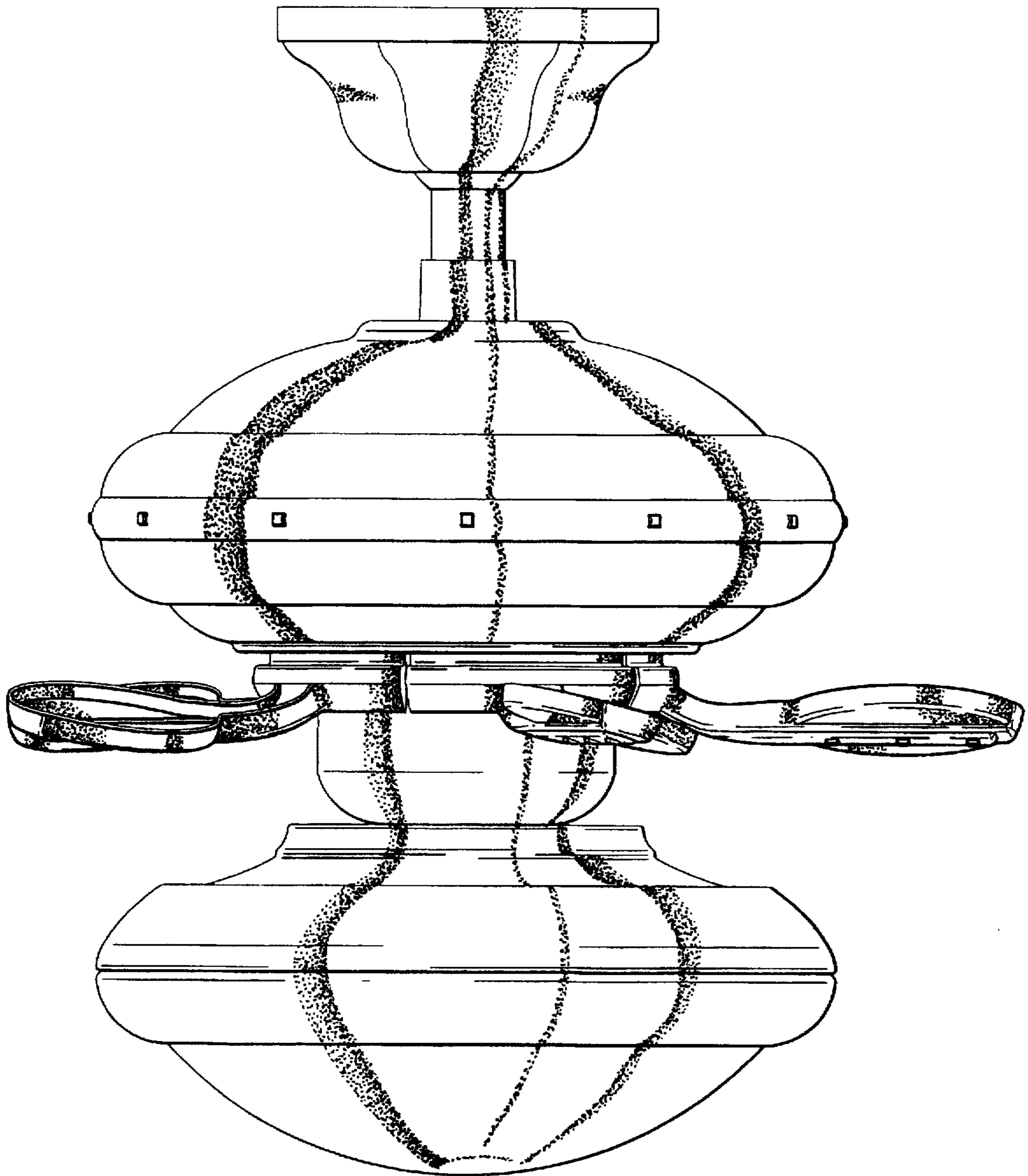


FIG 5

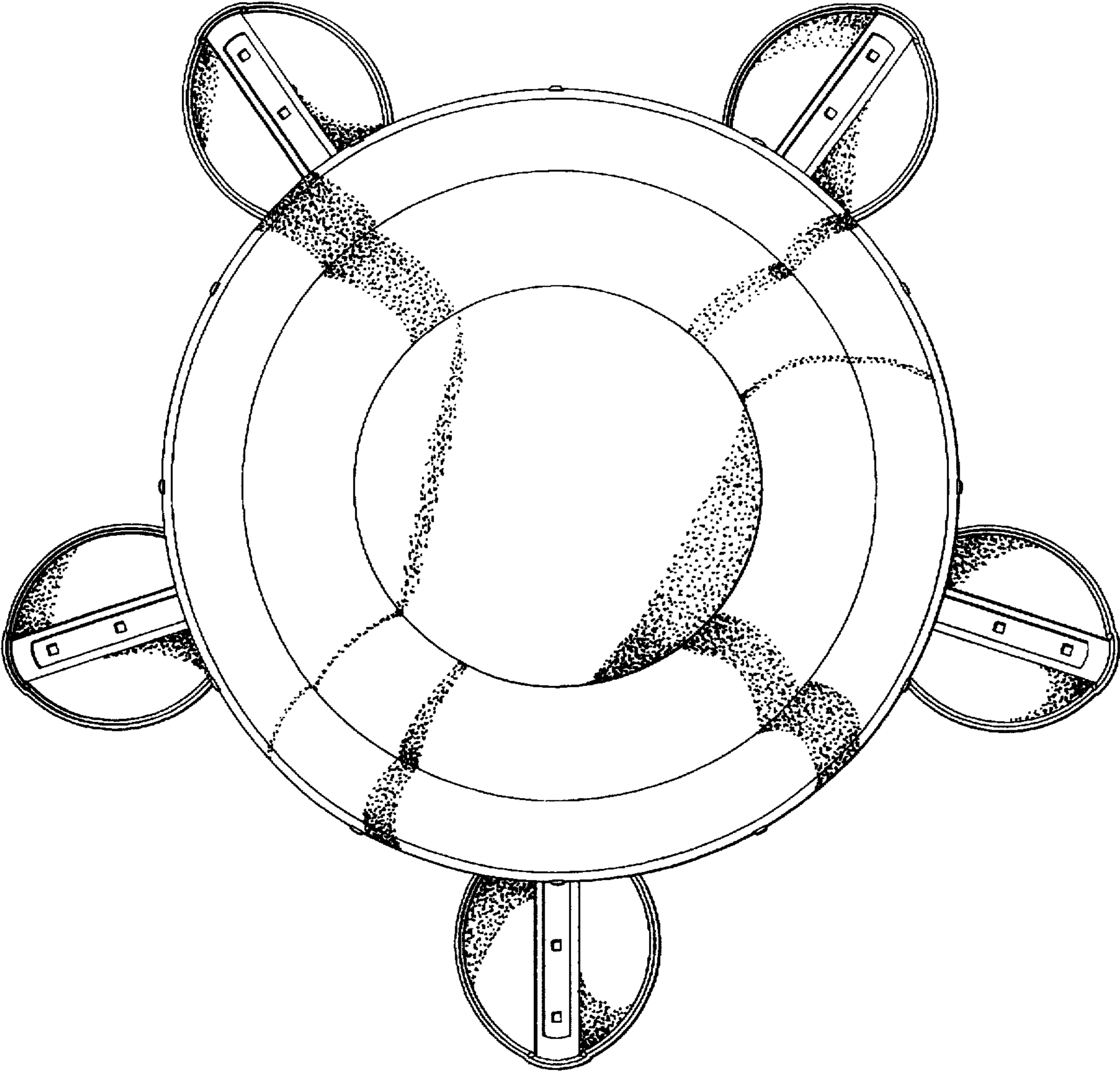


FIG 6

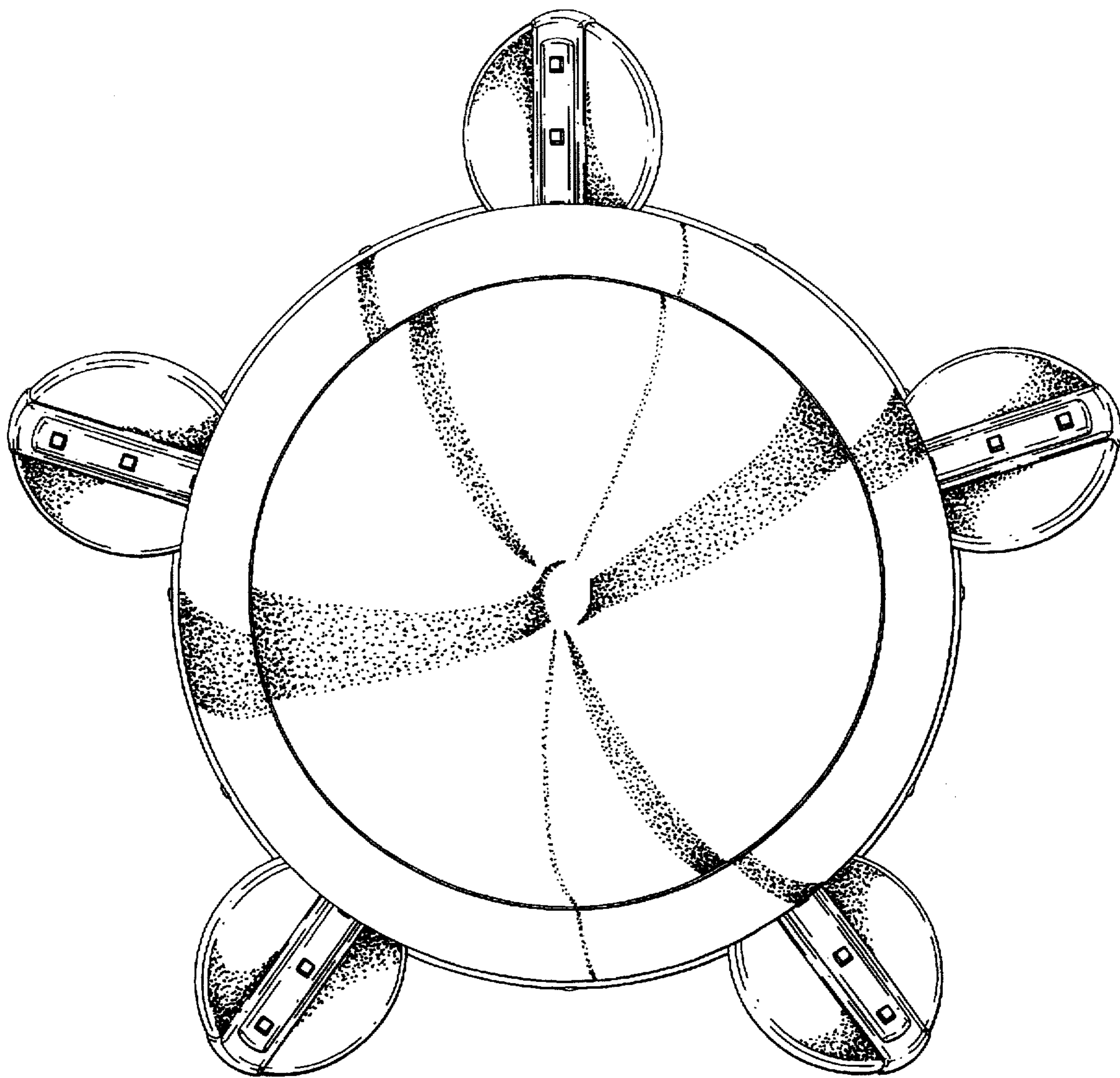


FIG 7