



US00D397778S

# United States Patent [19] Lam

[11] Patent Number: **Des. 397,778**  
[45] Date of Patent: **\*\*Sep. 1, 1998**

[54] **HUMIDIFIER**

[75] Inventor: **Mike Lam**, Edmonton, Canada

[73] Assignee: **Green Tradings Ltd.**, Edmonton, Canada

[\*\*] Term: **14 Years**

[21] Appl. No.: **66,984**

[22] Filed: **Feb. 25, 1997**

[51] LOC (6) Cl. .... **23-04**

[52] U.S. Cl. .... **D23/356; D23/358; D23/360**

[58] Field of Search ..... **D23/356-363; 62/304; 237/78 R, 78 A**

[56] **References Cited**

**U.S. PATENT DOCUMENTS**

D. 328,342 7/1992 Pasch et al. .... **D23/356**

D. 374,922 10/1996 Moore ..... **D23/360**  
D. 376,639 12/1996 Moore ..... **D23/356**  
D. 377,212 1/1997 Moore ..... **D23/360**

*Primary Examiner*—Lisa Lichtenstein  
*Attorney, Agent, or Firm*—Anthony R. Lambert

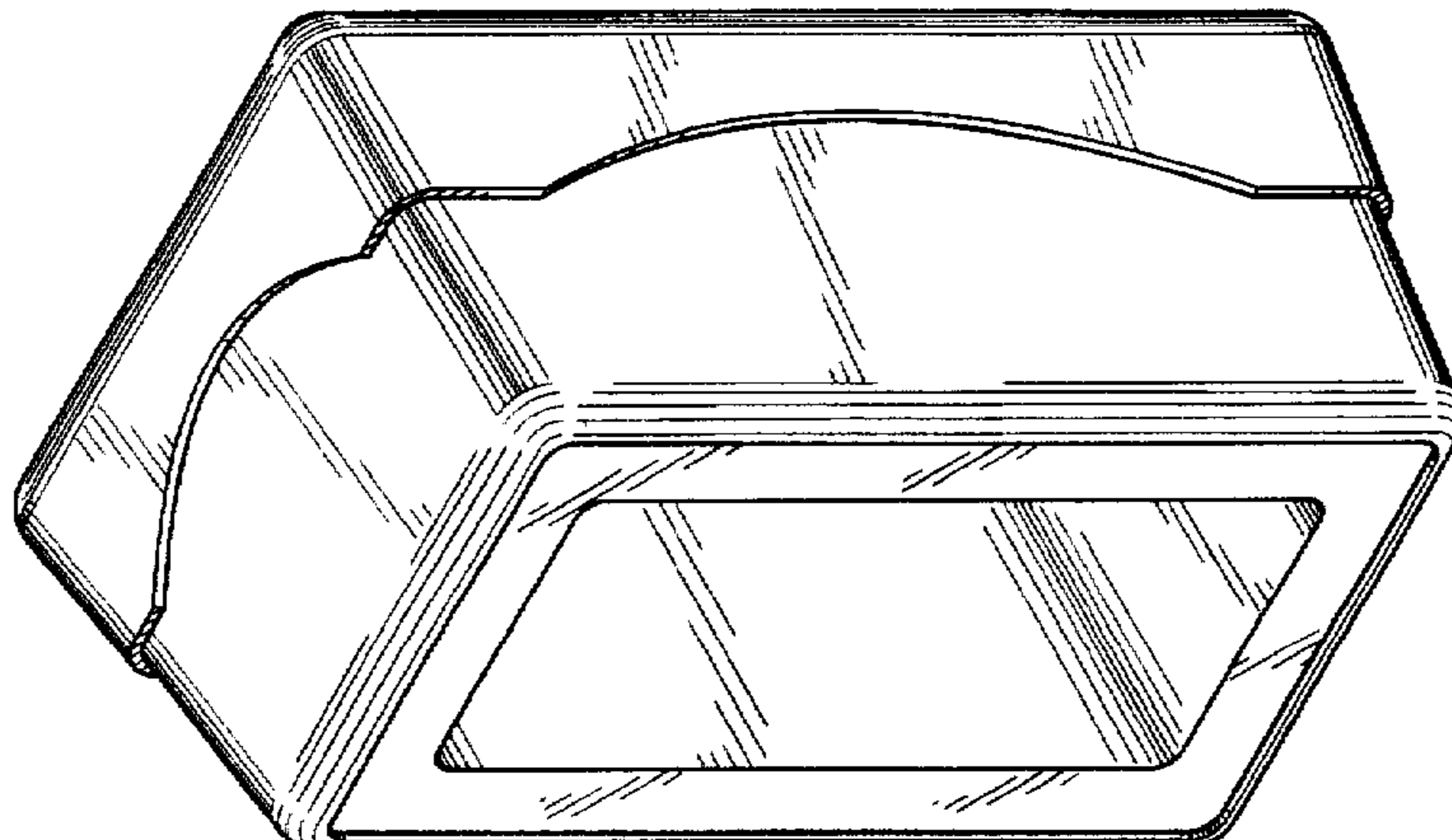
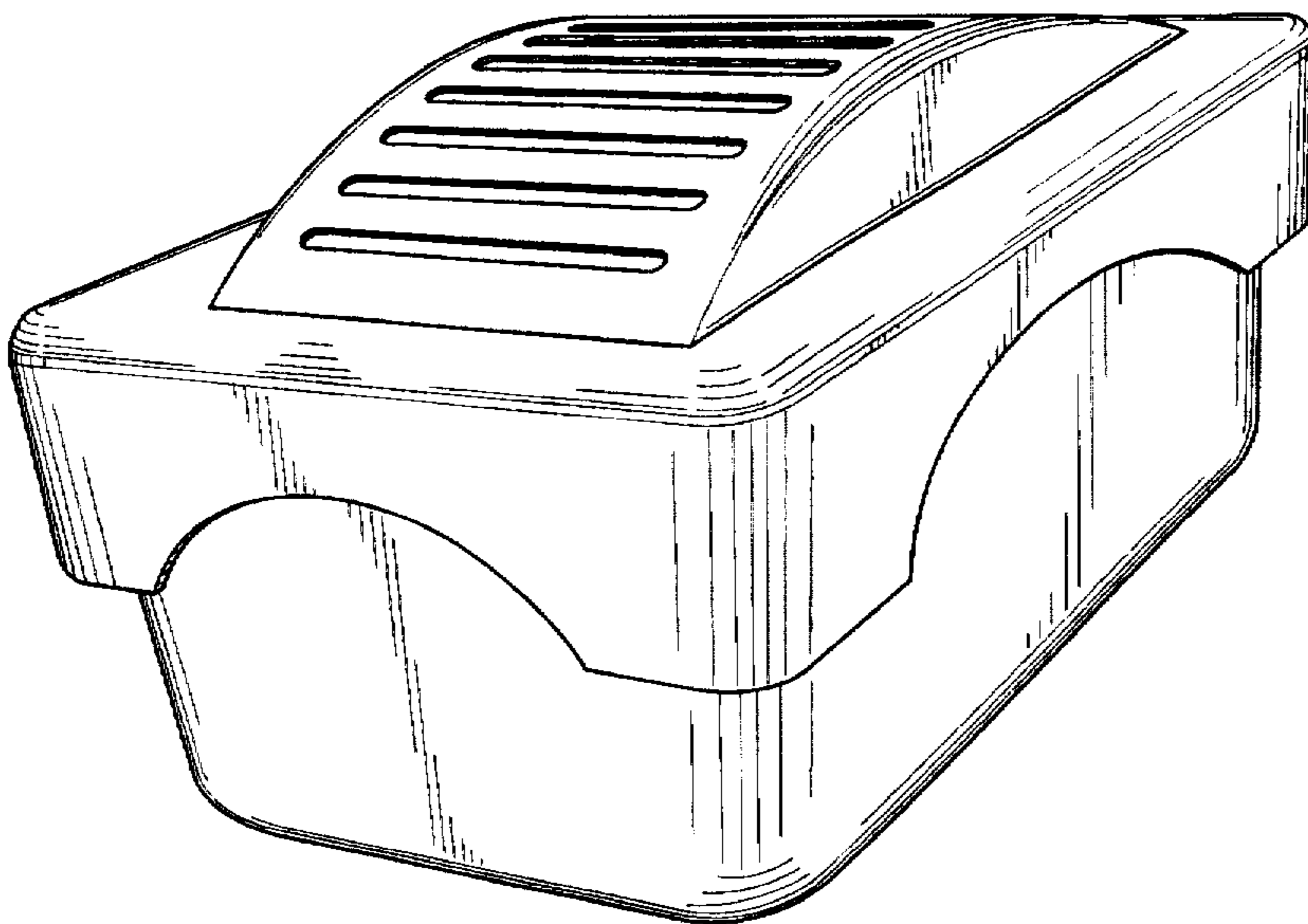
[57] **CLAIM**

The ornamental design for a humidifer, as shown and described.

**DESCRIPTION**

FIG. 1 is a top perspective view;  
FIG. 2 is a top plan view;  
FIG. 3 is a right side elevation view, the left side elevation view being a mirror image thereof;  
FIG. 4 is a bottom perspective view; and,  
FIG. 5 is an end elevation view, the other end elevation view being a mirror image thereof.

**1 Claim, 3 Drawing Sheets**



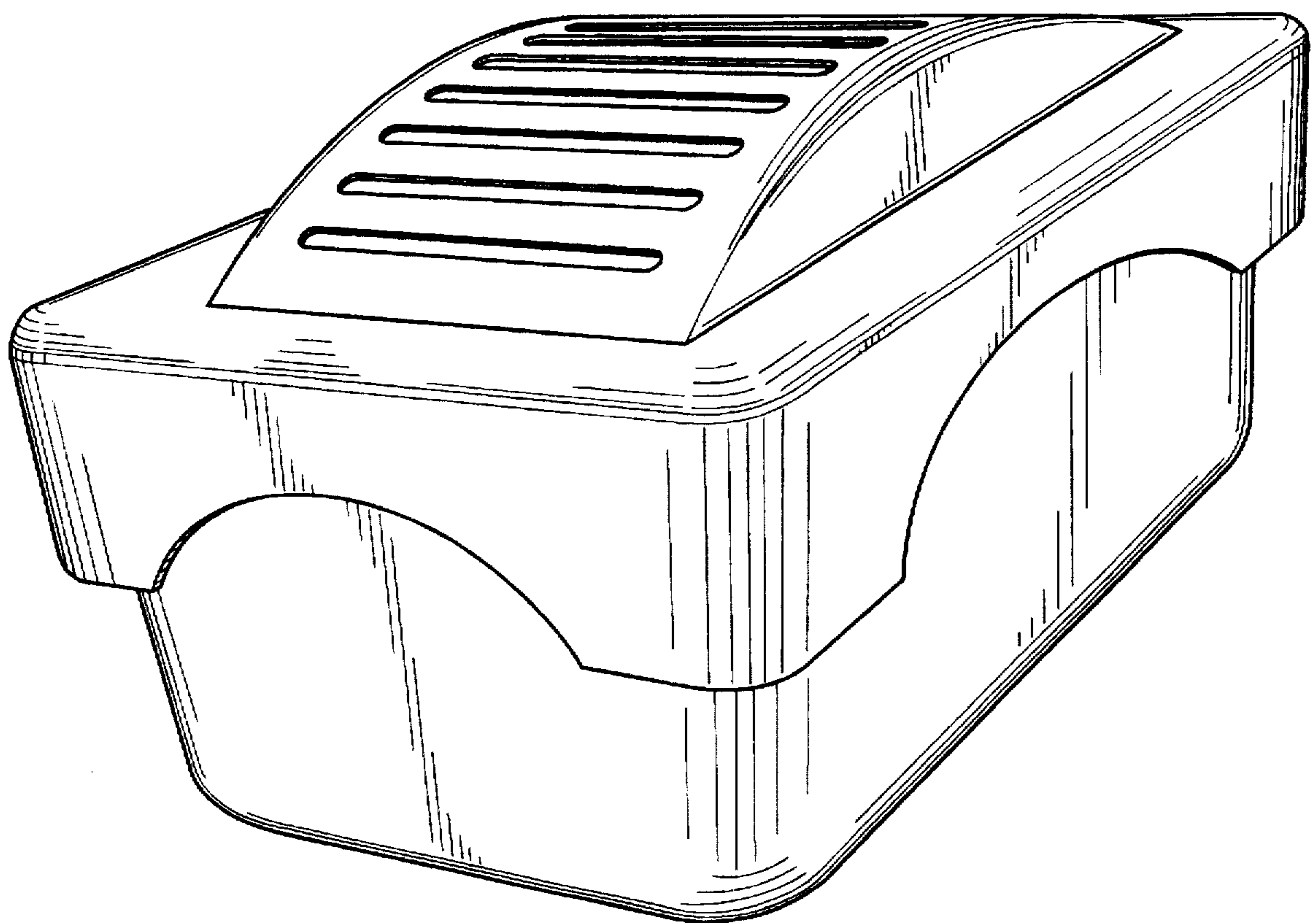


FIG. 1.

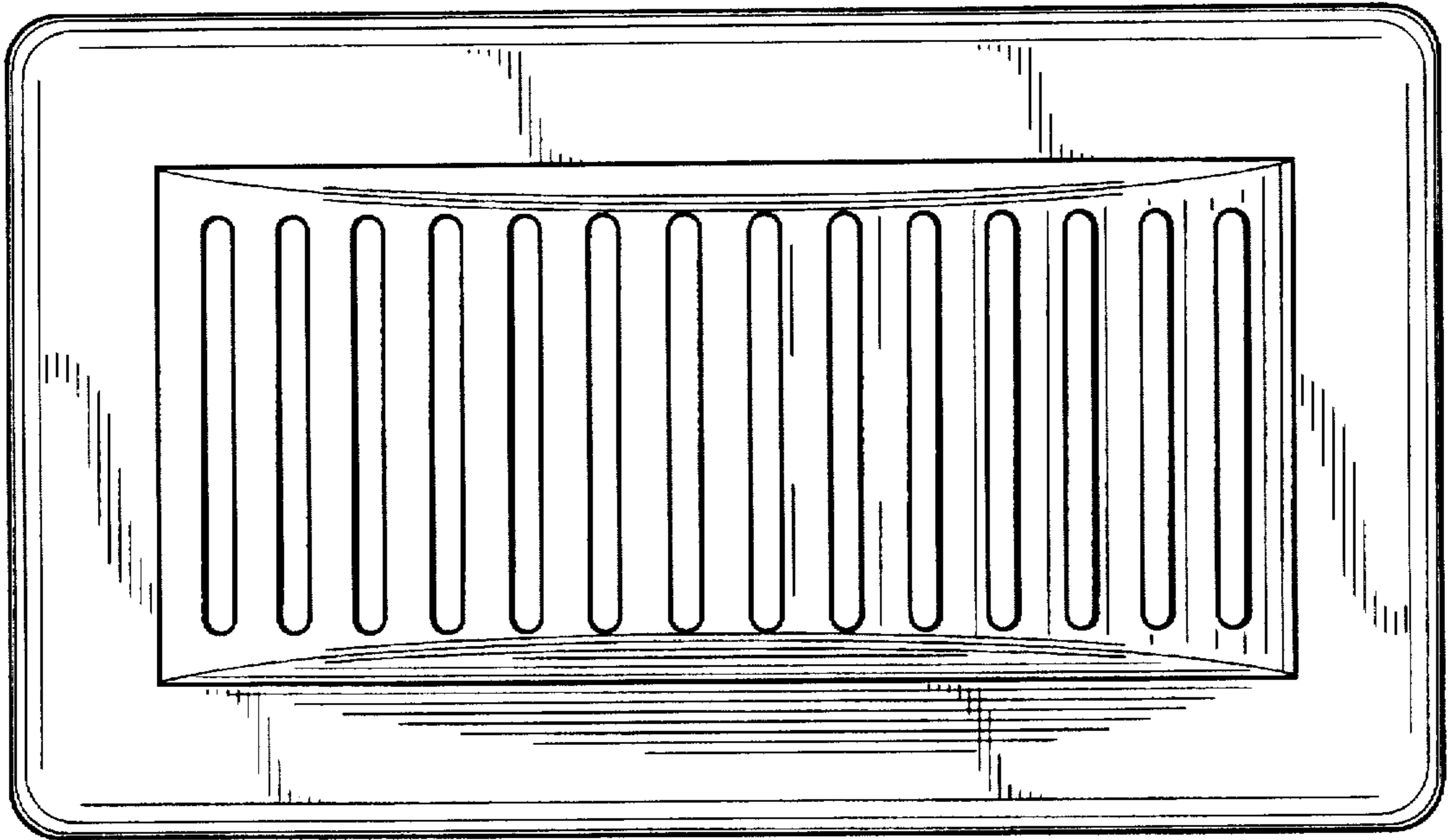


FIG. 2.

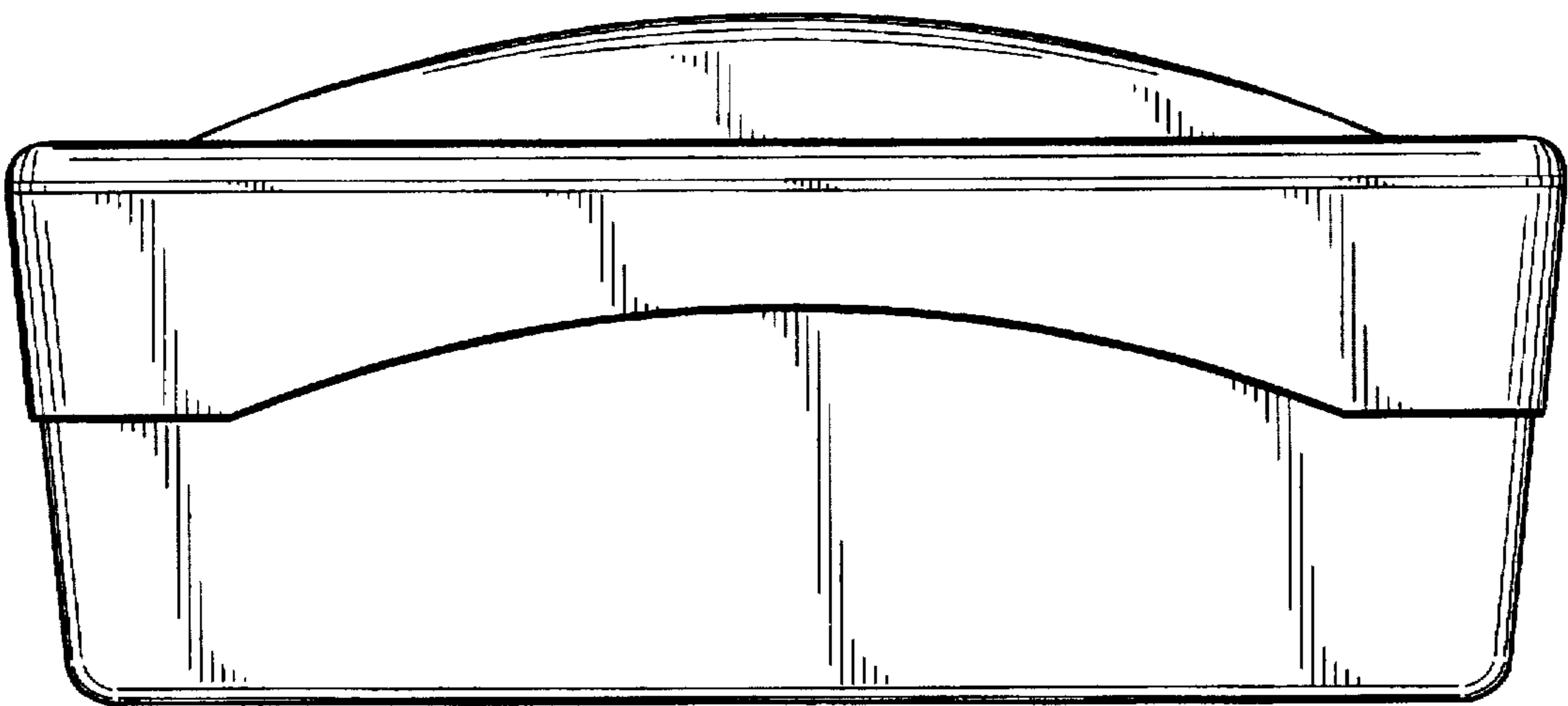


FIG. 3.

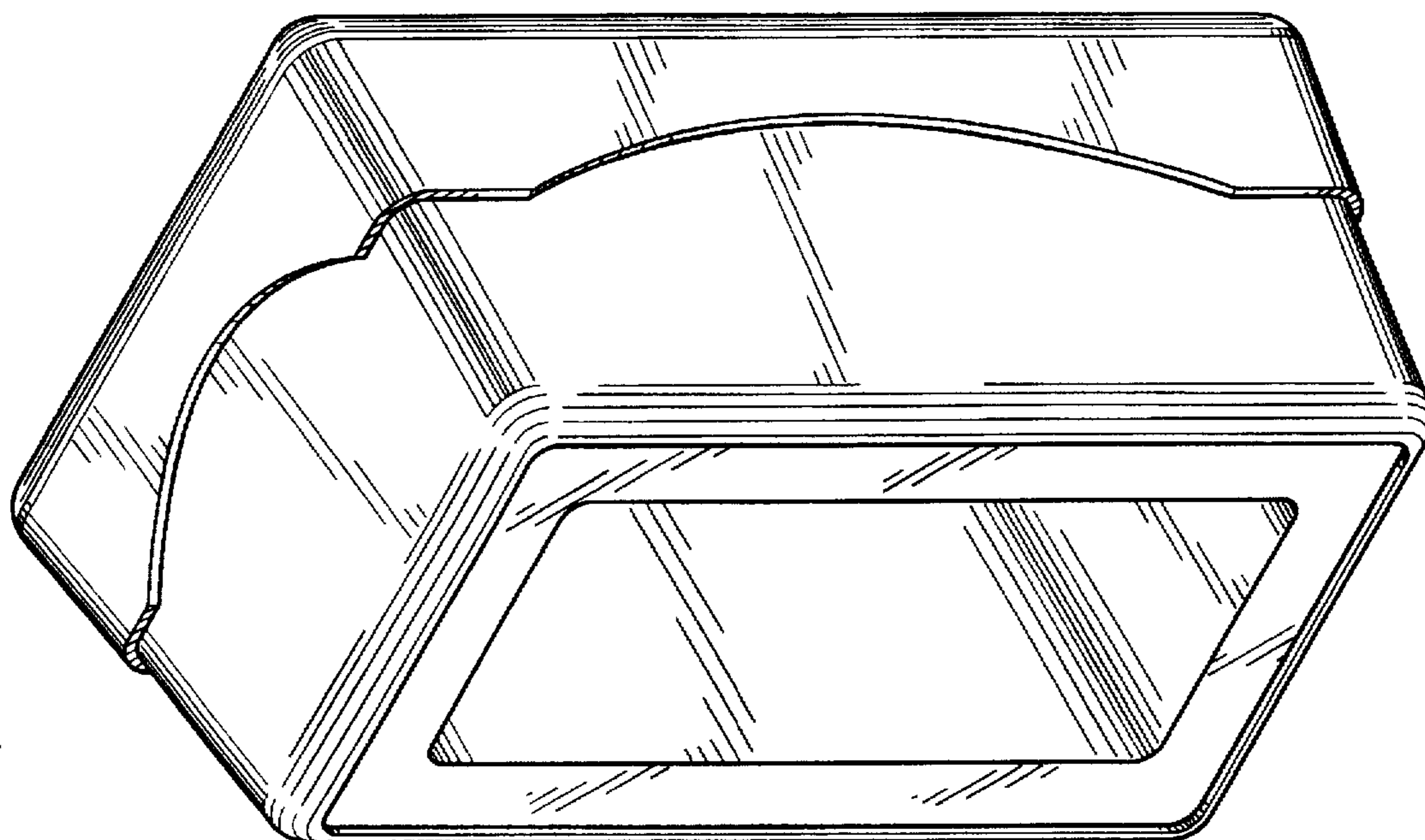


FIG. 4.

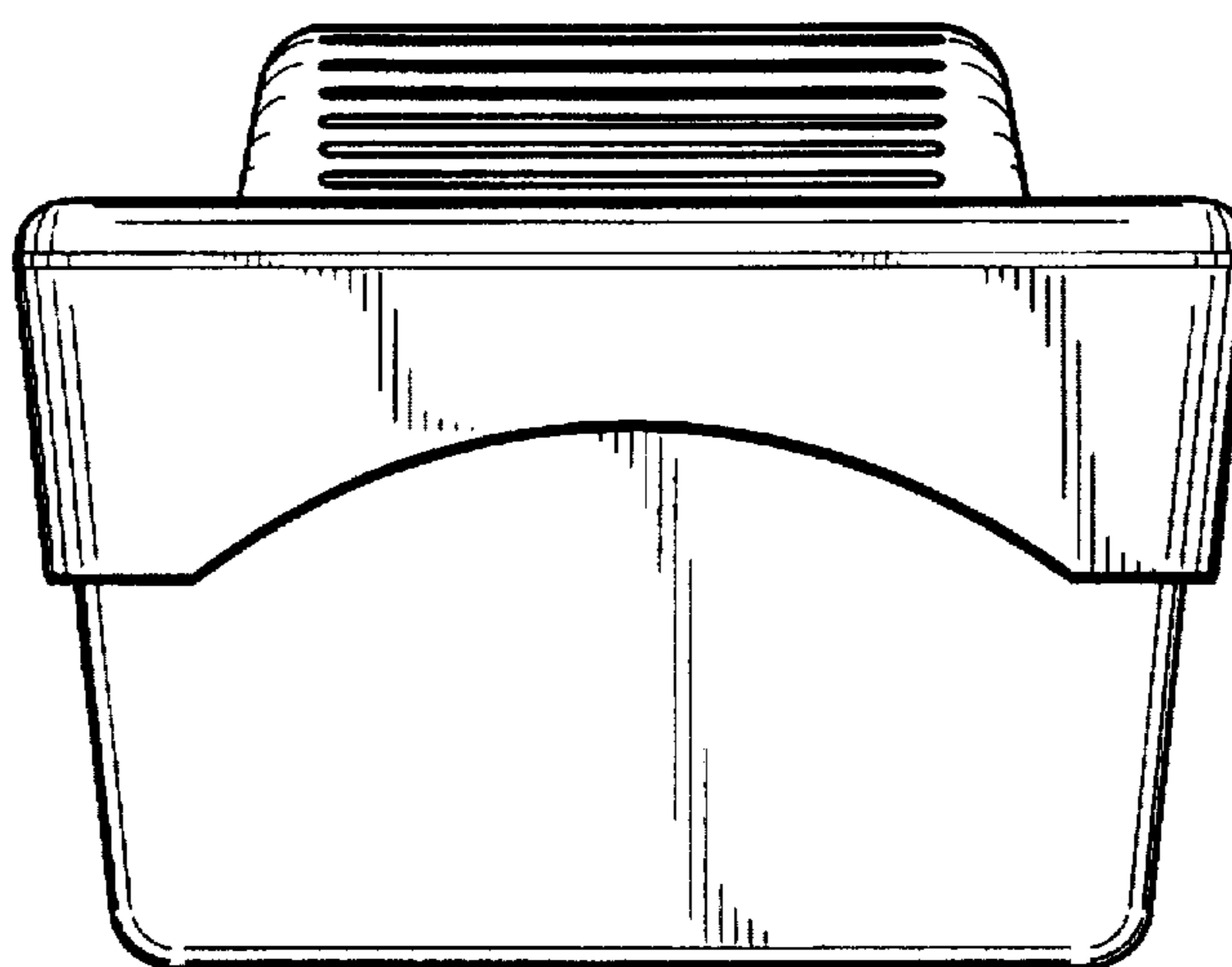


FIG. 5.