



US00D397774S

United States Patent [19]

Junkel et al.

[11] Patent Number: **Des. 397,774**

[45] Date of Patent: ****Sep. 1, 1998**

[54] **COMBINED PORTABLE FAN AND SPRAY MISTING DEVICE**

[75] Inventors: **Eric F. Junkel**, Des Plaines; **Lee Radtke**, Lake Zurich; **Linda M. Usher**, Chicago, all of Ill.

[73] Assignee: **Circulair, Inc.**, Chicago, Ill.

[**] Term: **14 Years**

[21] Appl. No.: **76,495**

[22] Filed: **Sep. 17, 1997**

Related U.S. Application Data

[62] Division of Ser. No. 69,929, Apr. 29, 1997.

[51] LOC (6) CL **23-04**

[52] U.S. CL **D23/328; D9/300; D9/337; D23/332; D23/378; D23/379**

[58] Field of Search **D23/332, 328, D23/370, 378, 379; 416/146 R, 63, 234, 223 R; 239/333, 290, 289; D9/300, 337, 448**

[56] References Cited

U.S. PATENT DOCUMENTS

D. 345,301 3/1994 Goehring D9/300

D. 349,954 8/1994 Steiner et al. D23/328
2,909,316 10/1959 Prohaczka et al. 416/246
3,006,510 10/1961 Sagarin D9/448

FOREIGN PATENT DOCUMENTS

443216 12/1948 Italy .

Primary Examiner—Lisa Lichtenstein
Attorney, Agent, or Firm—Gifford, Krass, Groh, Sprinkle, Patmore, Anderson & Citkowski, P.C.

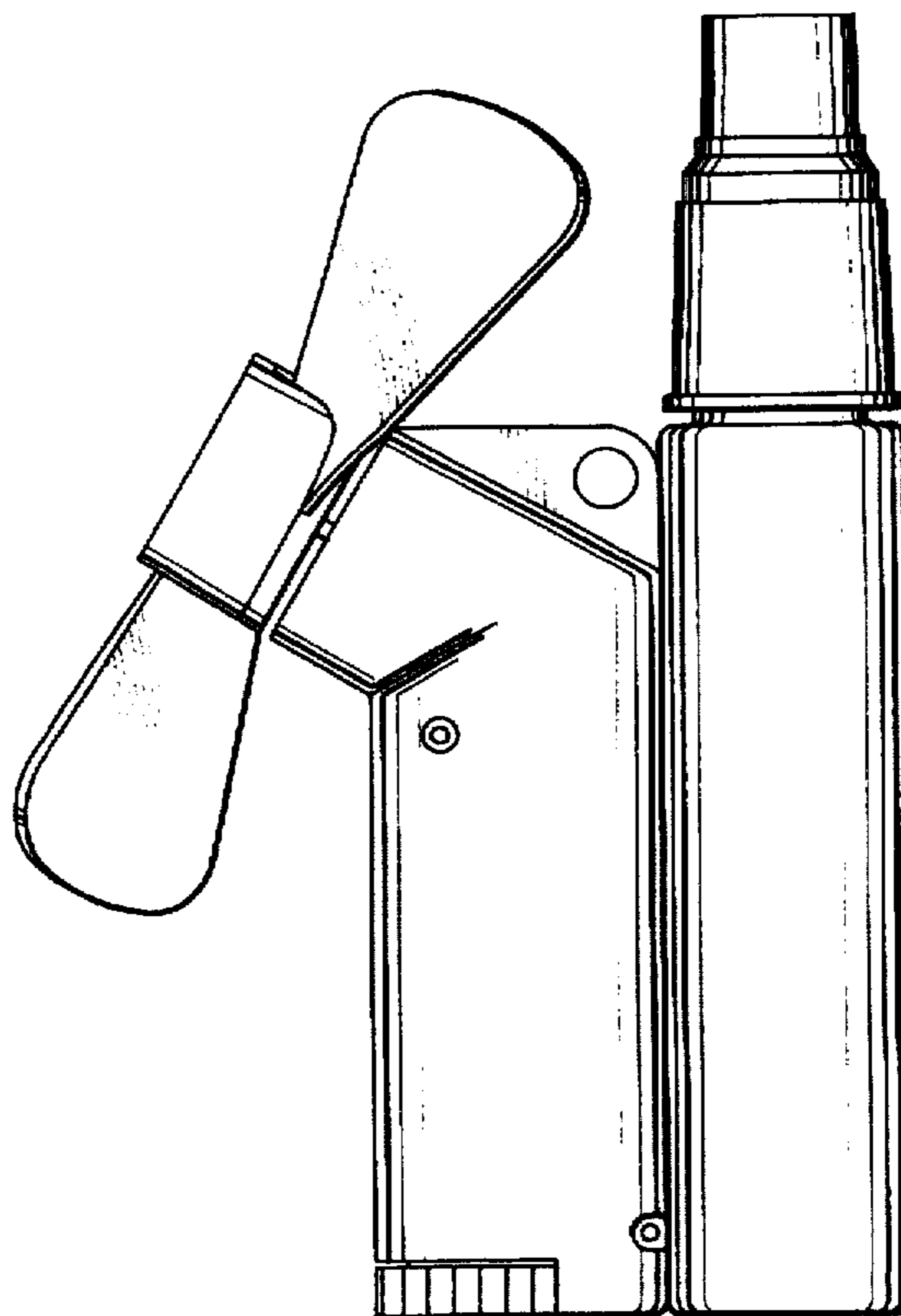
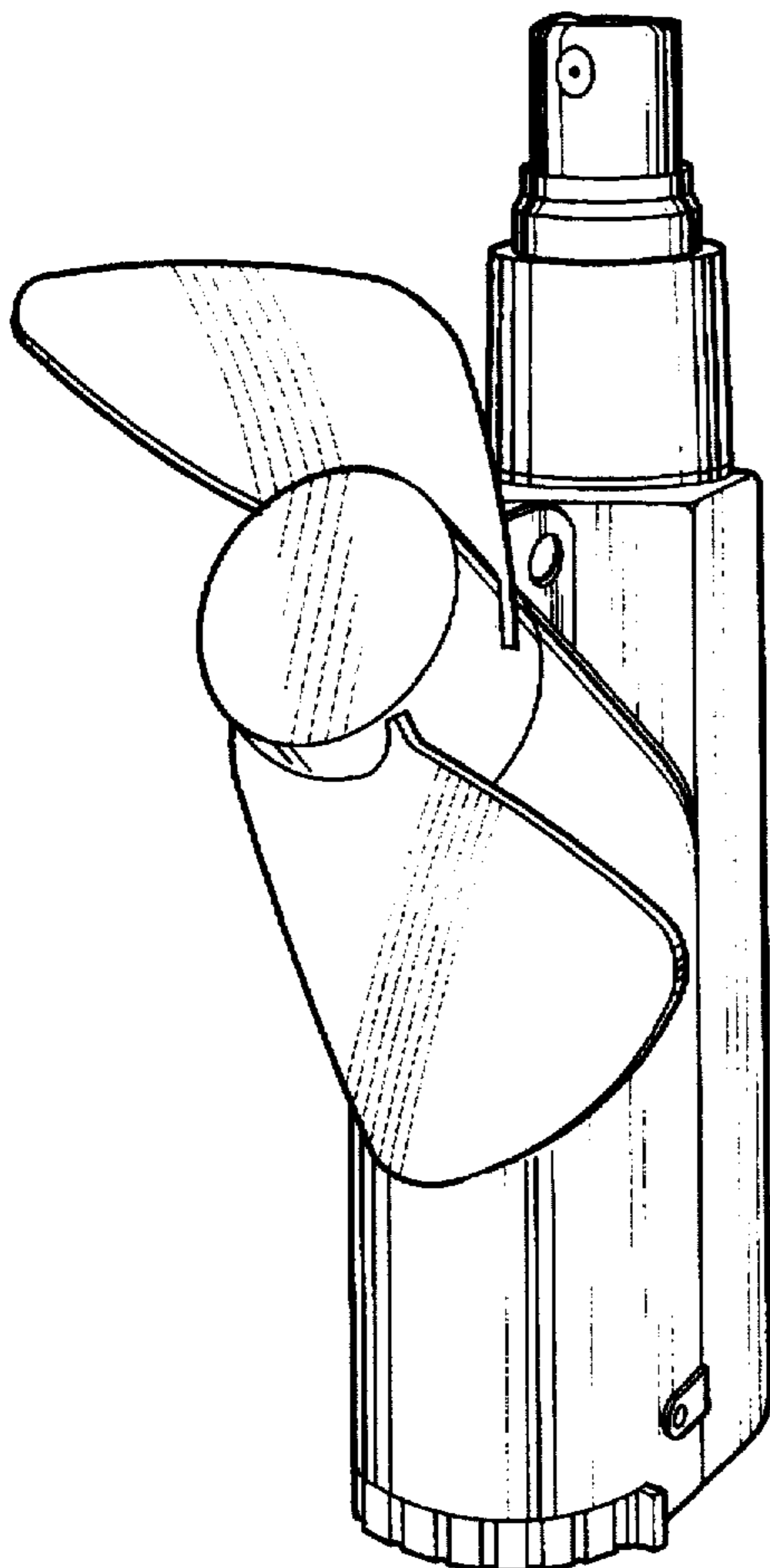
[57] CLAIM

The ornamental design for the combined portable fan and spray misting device, as shown.

DESCRIPTION

FIG. 1 is a perspective view of the combined portable fan and spray misting device showing our new design; FIG. 2 is a front elevational view thereof; FIG. 3 is a rear elevational view thereof; FIG. 4 is a top plan view thereof; FIG. 5 is a bottom plan view thereof; FIG. 6 is a left side view thereof; FIG. 7 is a right side view thereof; and, FIG. 8 is a perspective view of the portable fan portion of the claimed design shown separately for clarity of illustration.

1 Claim, 2 Drawing Sheets



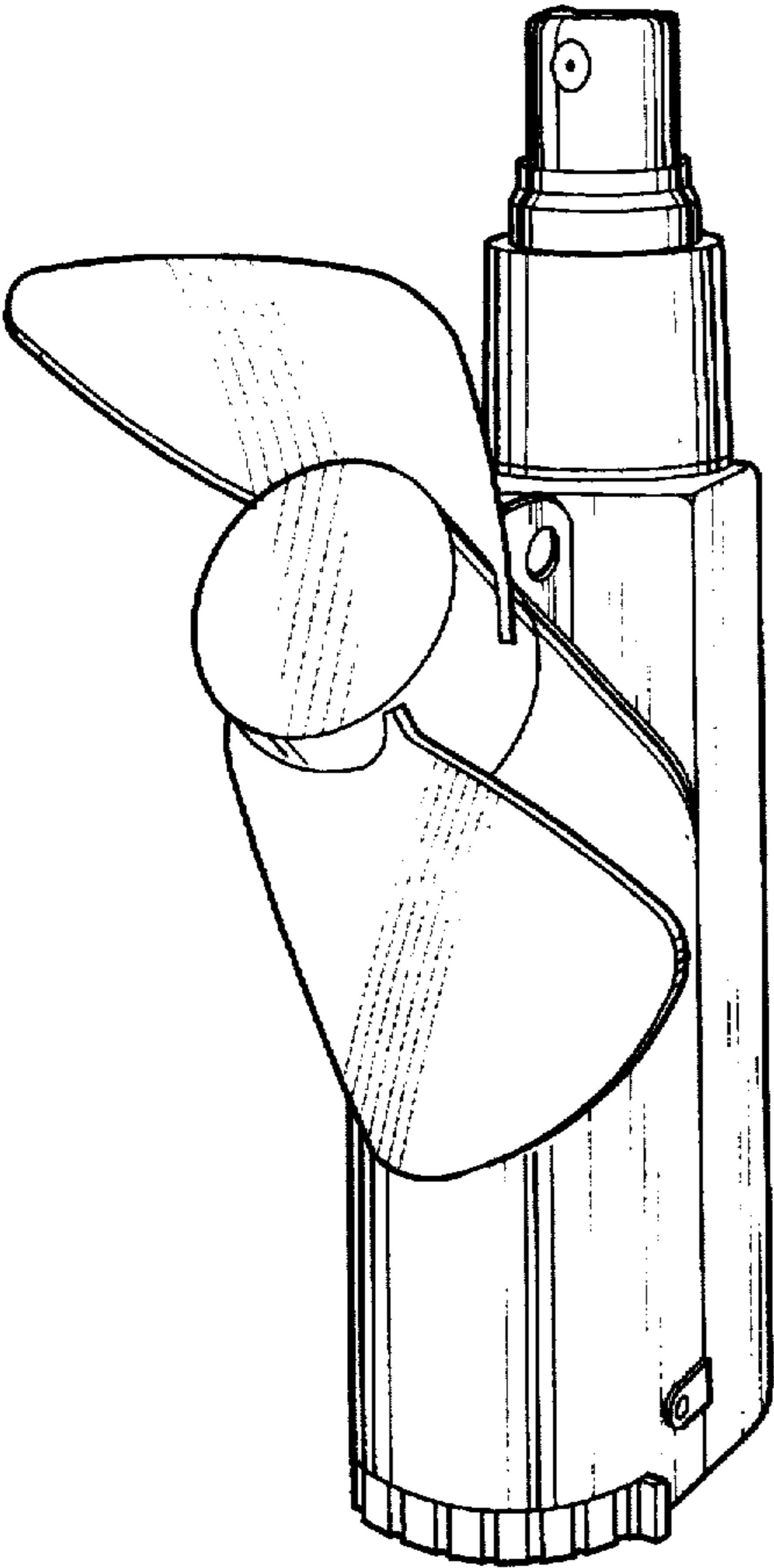


Fig-1

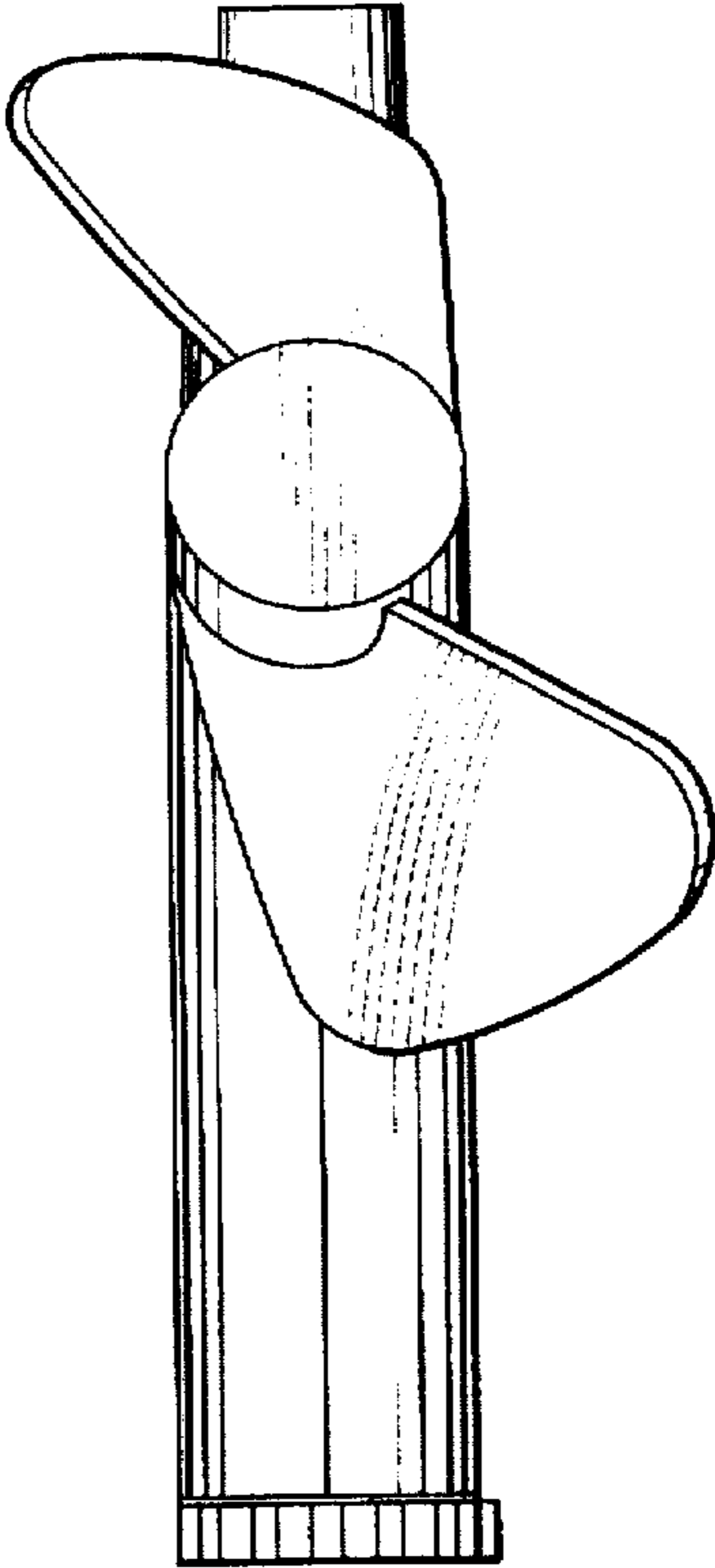


Fig-2

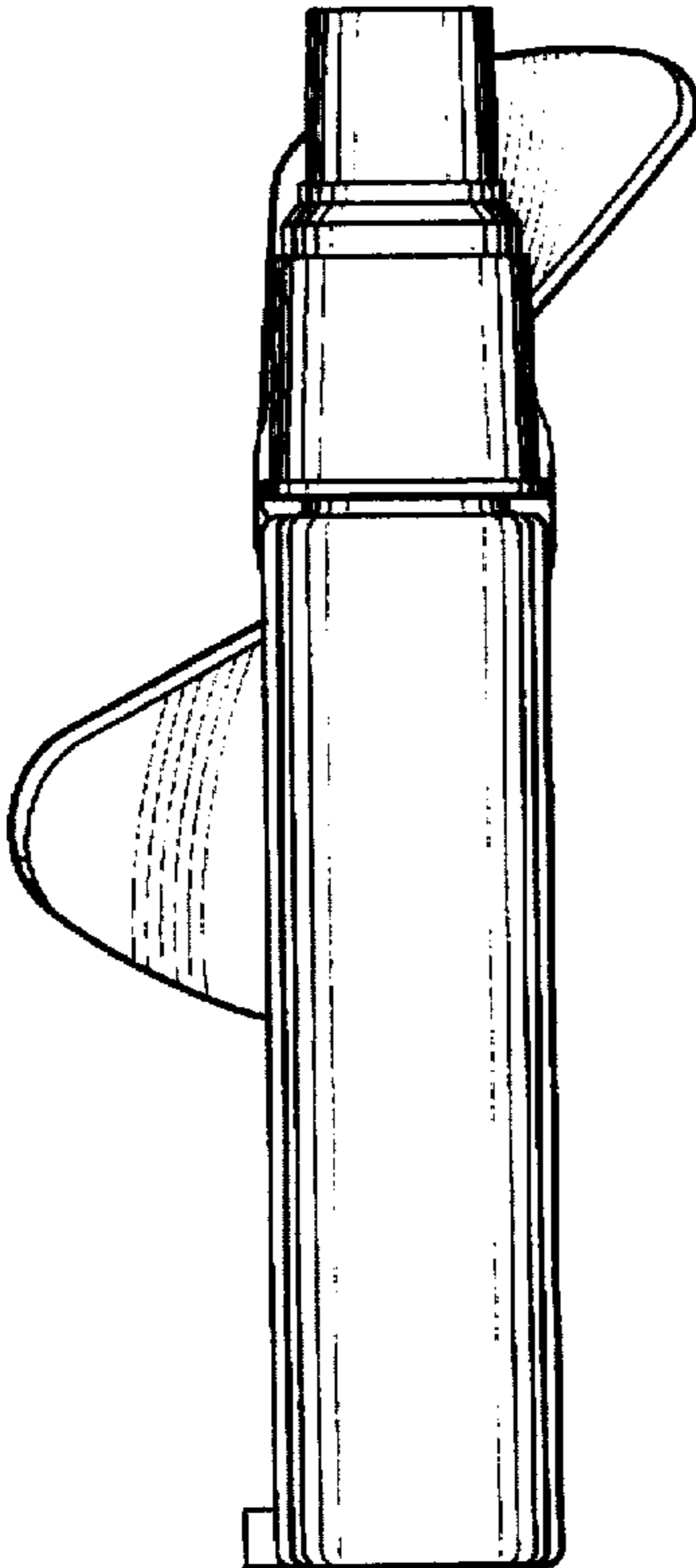


Fig-3

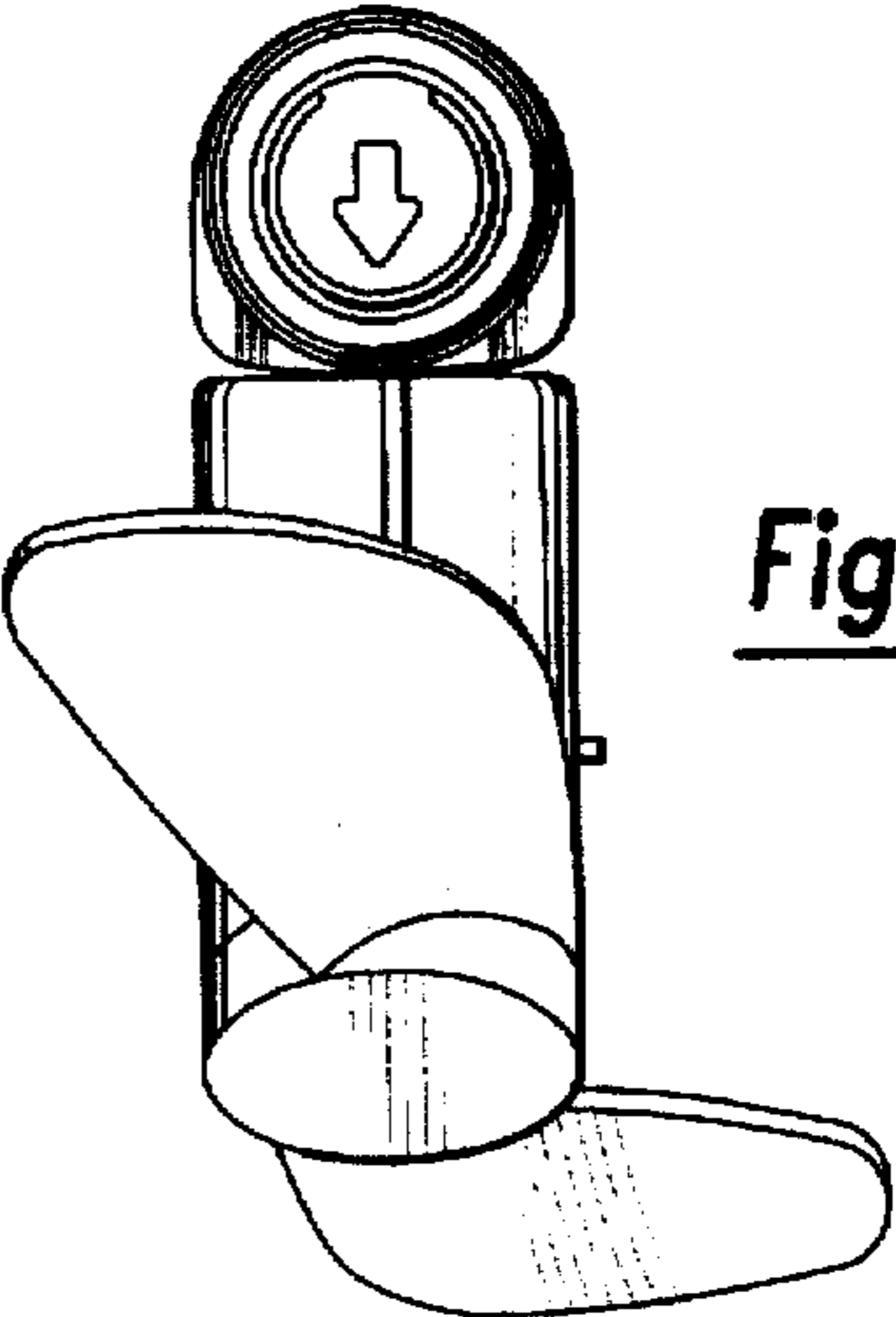


Fig-4

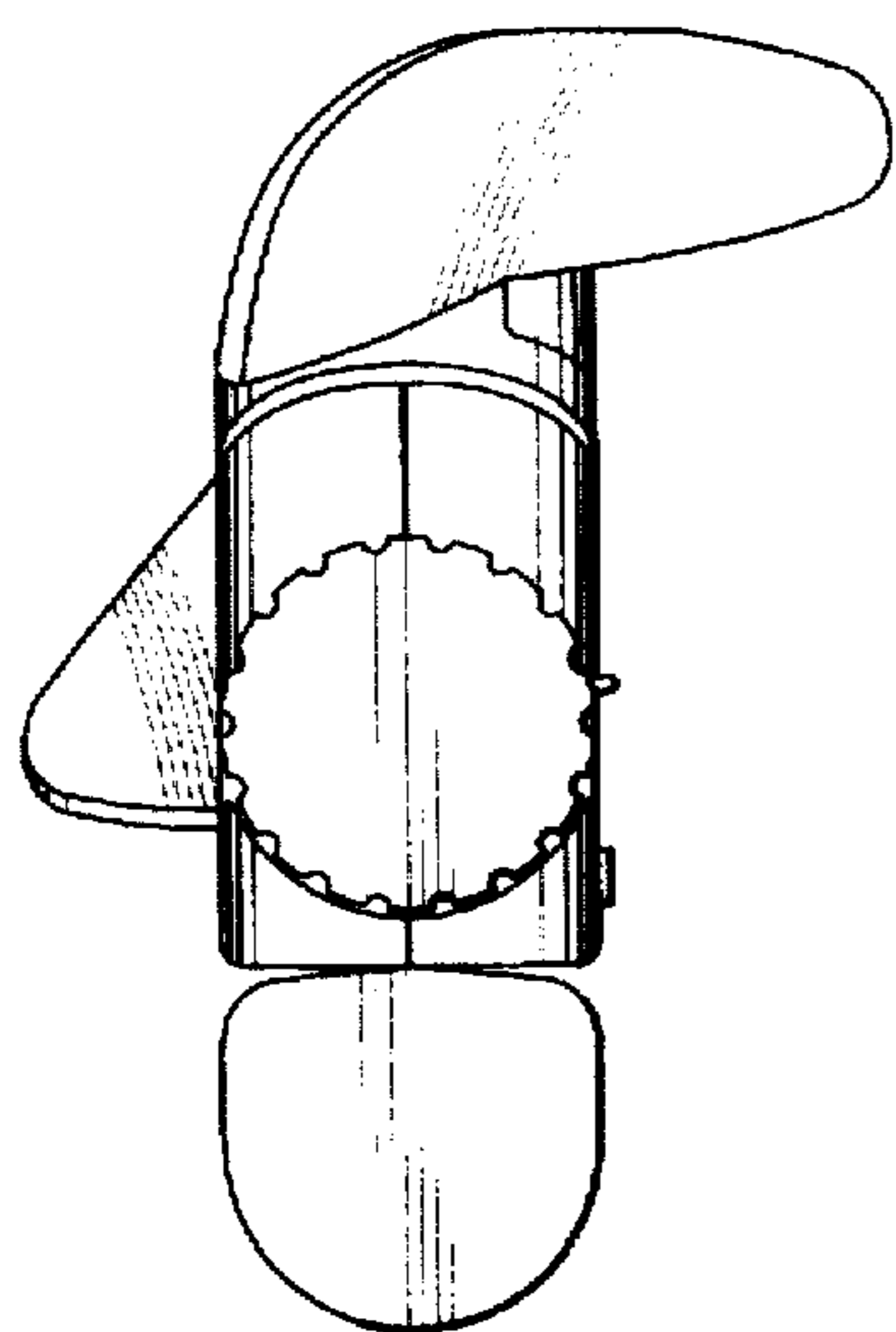


Fig-5

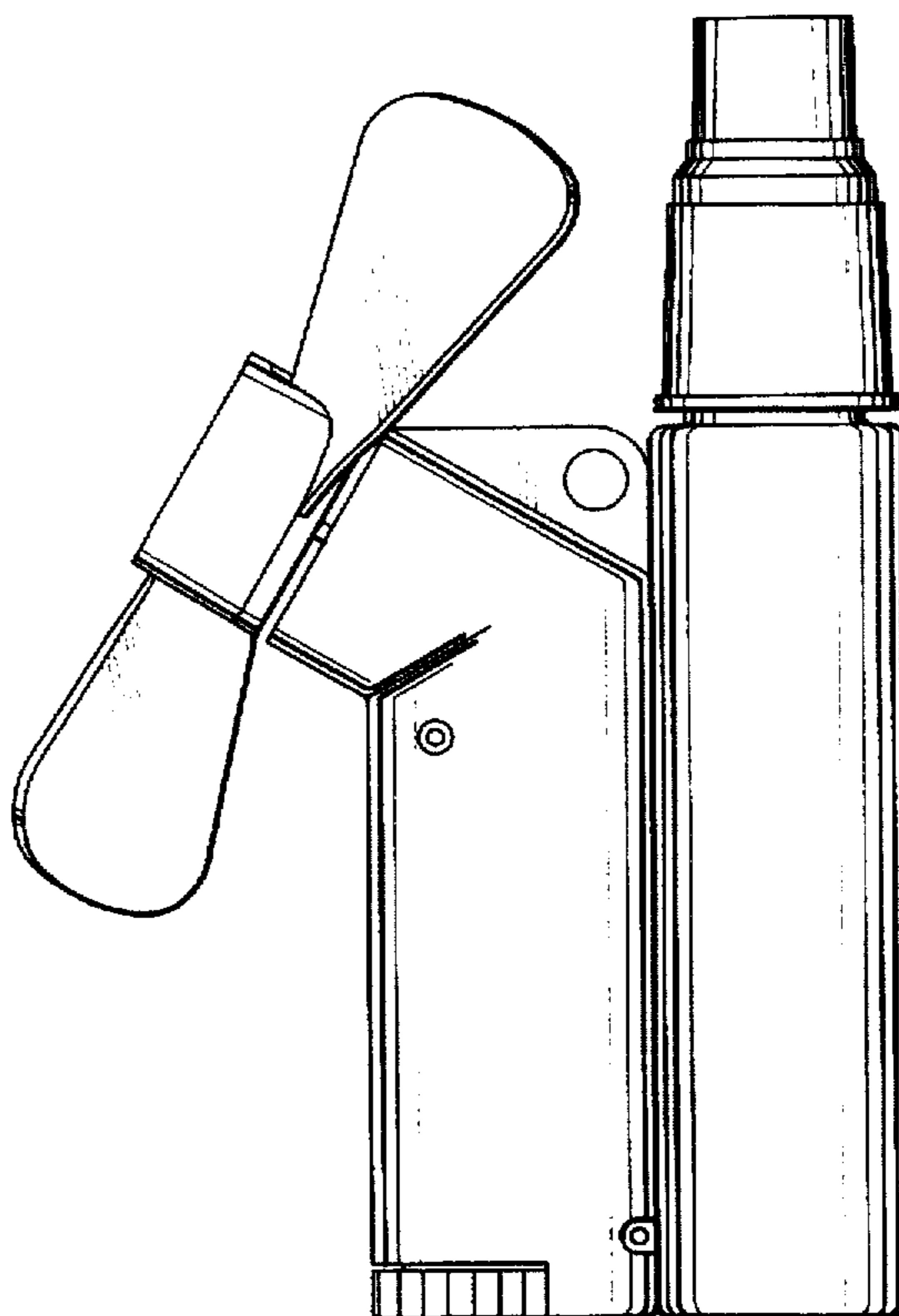


Fig-6

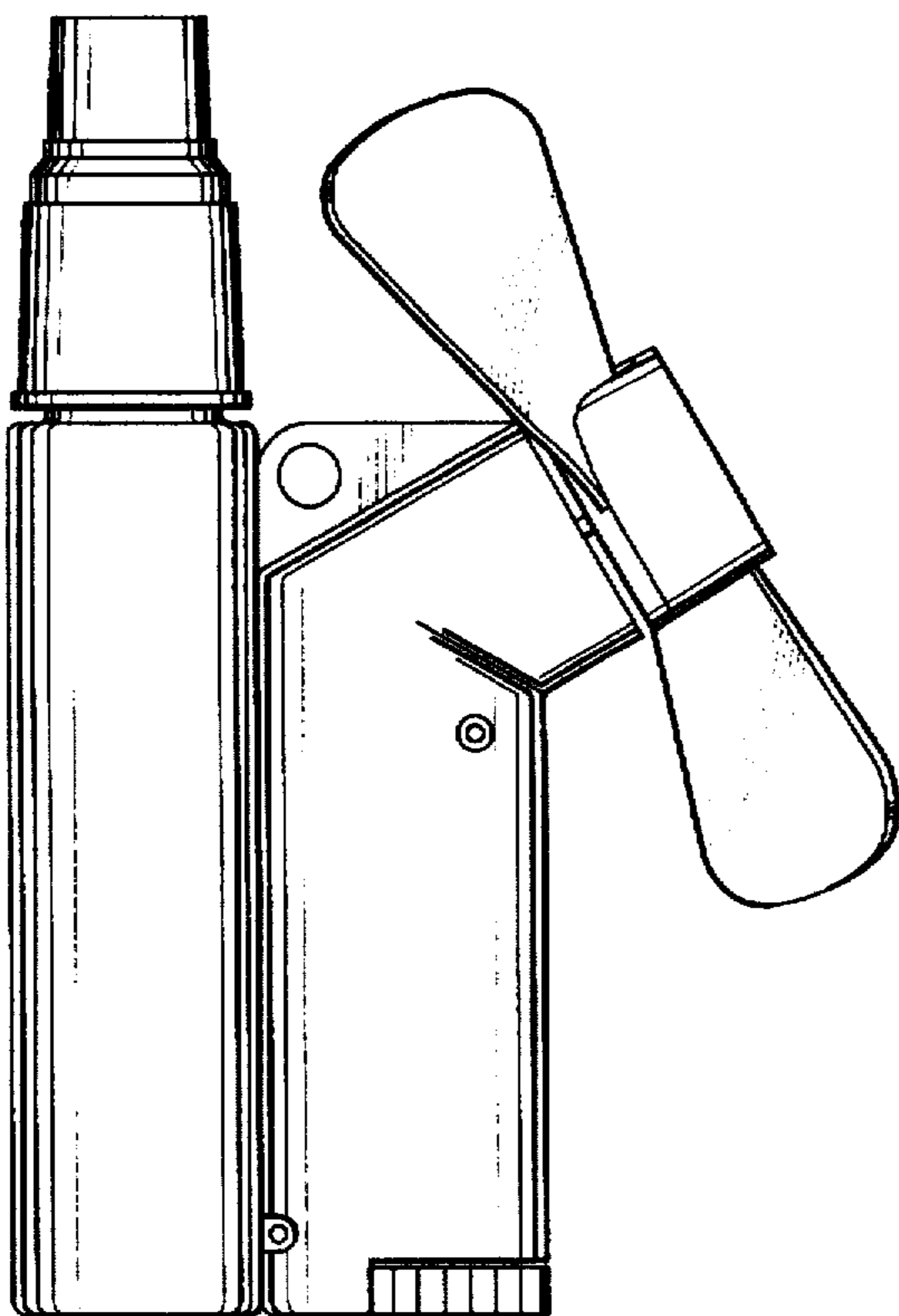


Fig-7

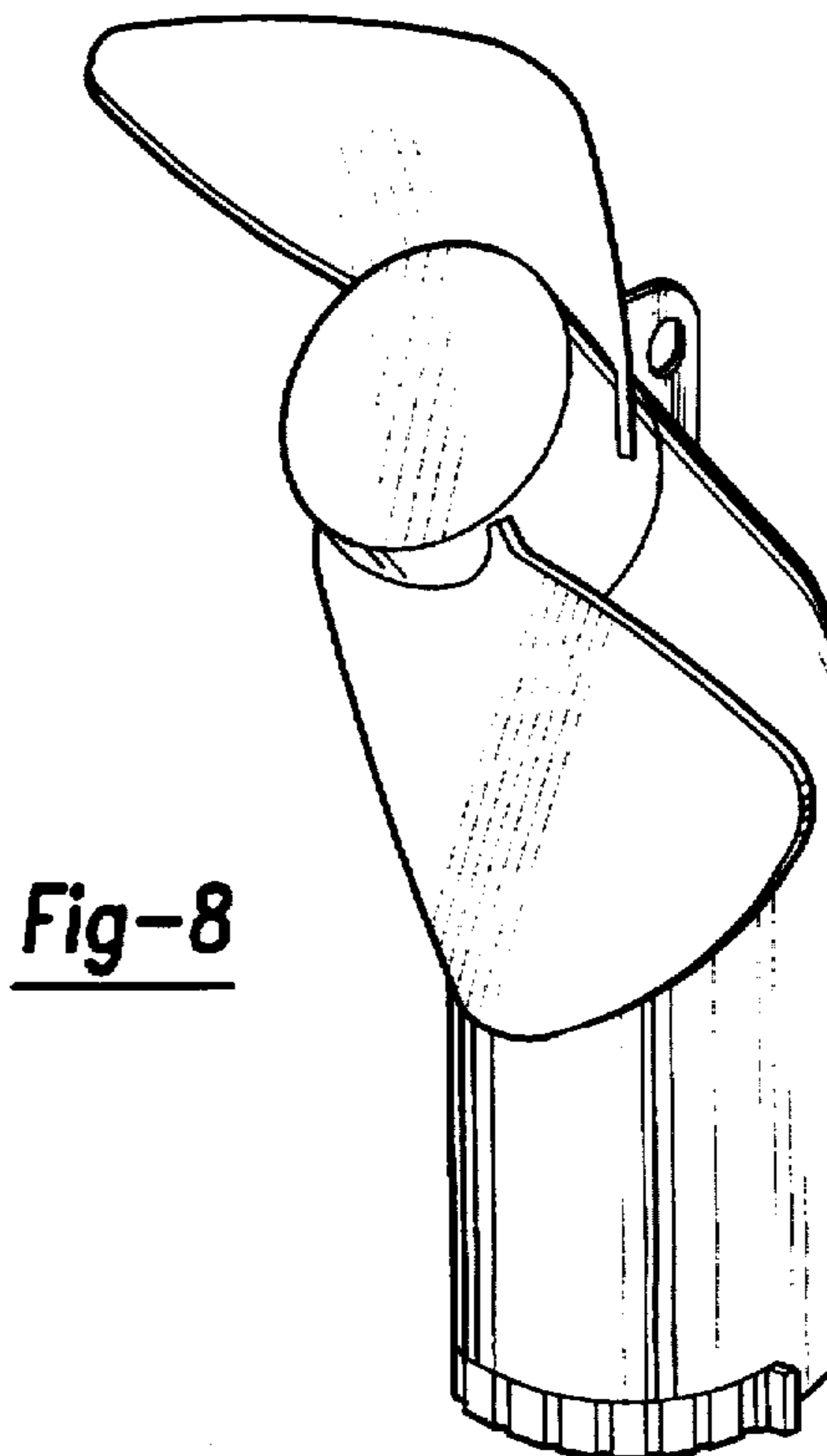


Fig-8