



US00D397771S

United States Patent [19]
Lobermeier

[11] **Patent Number: Des. 397,771**
[45] **Date of Patent: ***Sep. 1, 1998**

[54] **COMBINED VALVE HANDLE AND WALL ESCUTCHEON**

D. 330,754 11/1992 Gottwald D23/254
D. 331,099 11/1992 Gottwald D23/254
D. 333,698 3/1993 Gottwald D23/254
D. 345,004 3/1994 Bengtson D23/254

[75] **Inventor: Hans Lobermeier, Menden, Germany**

[73] **Assignee: Friedrich Grohe AG, Hemer, Germany**

Primary Examiner—Louis S. Zarfes
Assistant Examiner—Eric Watterson
Attorney, Agent, or Firm—Herbert Dubno

[*] **Notice:** The portion of the term of this patent subsequent to Jul. 14, 2012, has been disclaimed.

[**] **Term: 14 Years**

[57] **CLAIM**

The ornamental design for a combined valve handle and wall escutcheon, as shown and described.

[21] **Appl. No.: 70,702**

DESCRIPTION

[22] **Filed: May 14, 1997**

[30] **Foreign Application Priority Data**

FIG. 1 is a top, front, left-side perspective view of a combined valve handle and wall escutcheon showing my new design;

Nov. 19, 1996 [DE] Germany M9609977.1

[51] **LOC (6) Cl. 23-01**

FIG. 2 is a left side elevational view thereof, the right side being mirror symmetrical thereto;

[52] **U.S. Cl. D23/254**

FIG. 3 is a top view thereof, the bottom being mirror symmetrical thereto;

[58] **Field of Search D23/238-243,
D23/250-257; 4/675-678; 137/801**

FIG. 4 is a front view thereof; and,

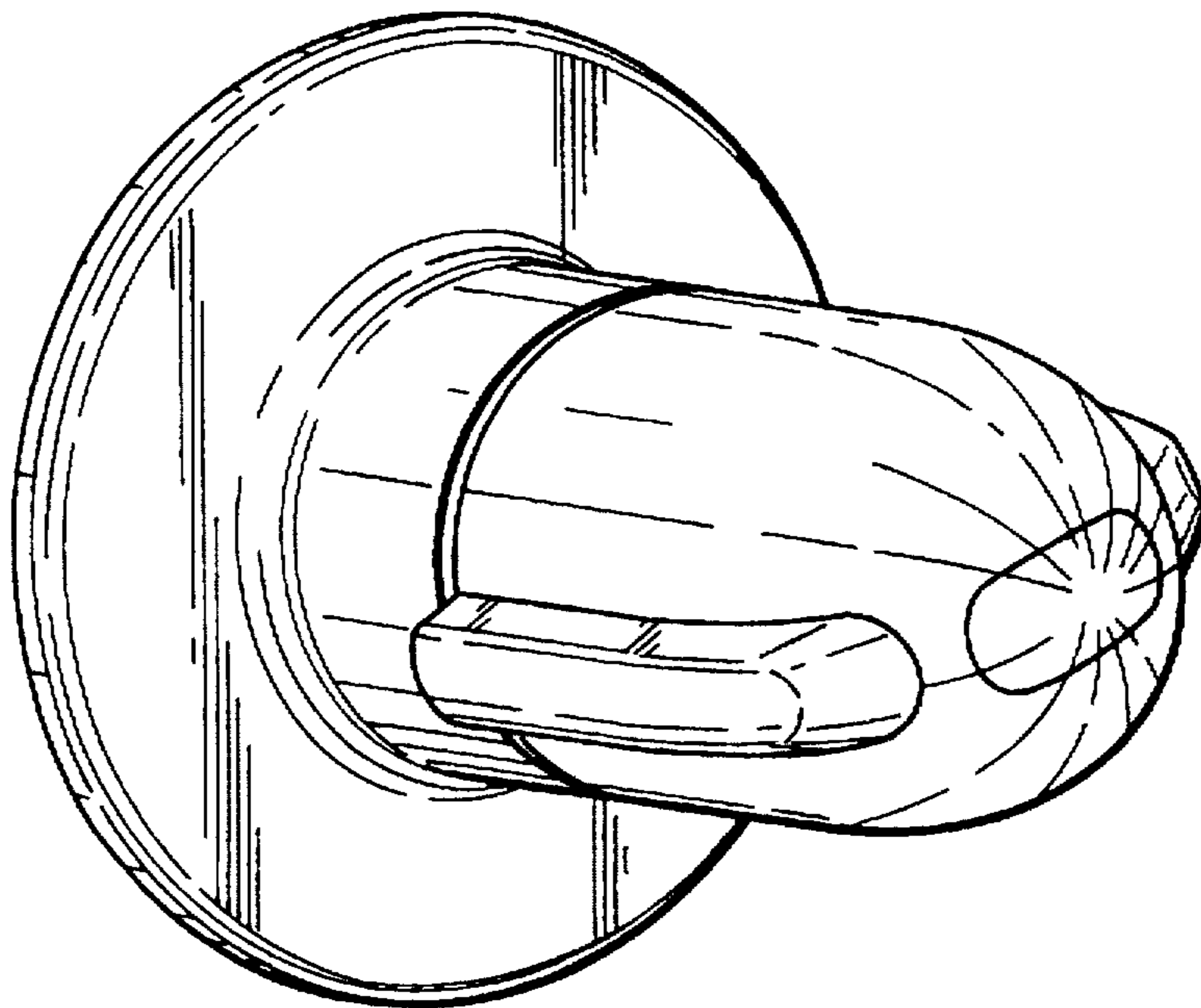
[56] **References Cited**

FIG. 5 is a rear view thereof.

U.S. PATENT DOCUMENTS

D. 285,108 8/1986 Ogilvie D23/254

1 Claim, 3 Drawing Sheets



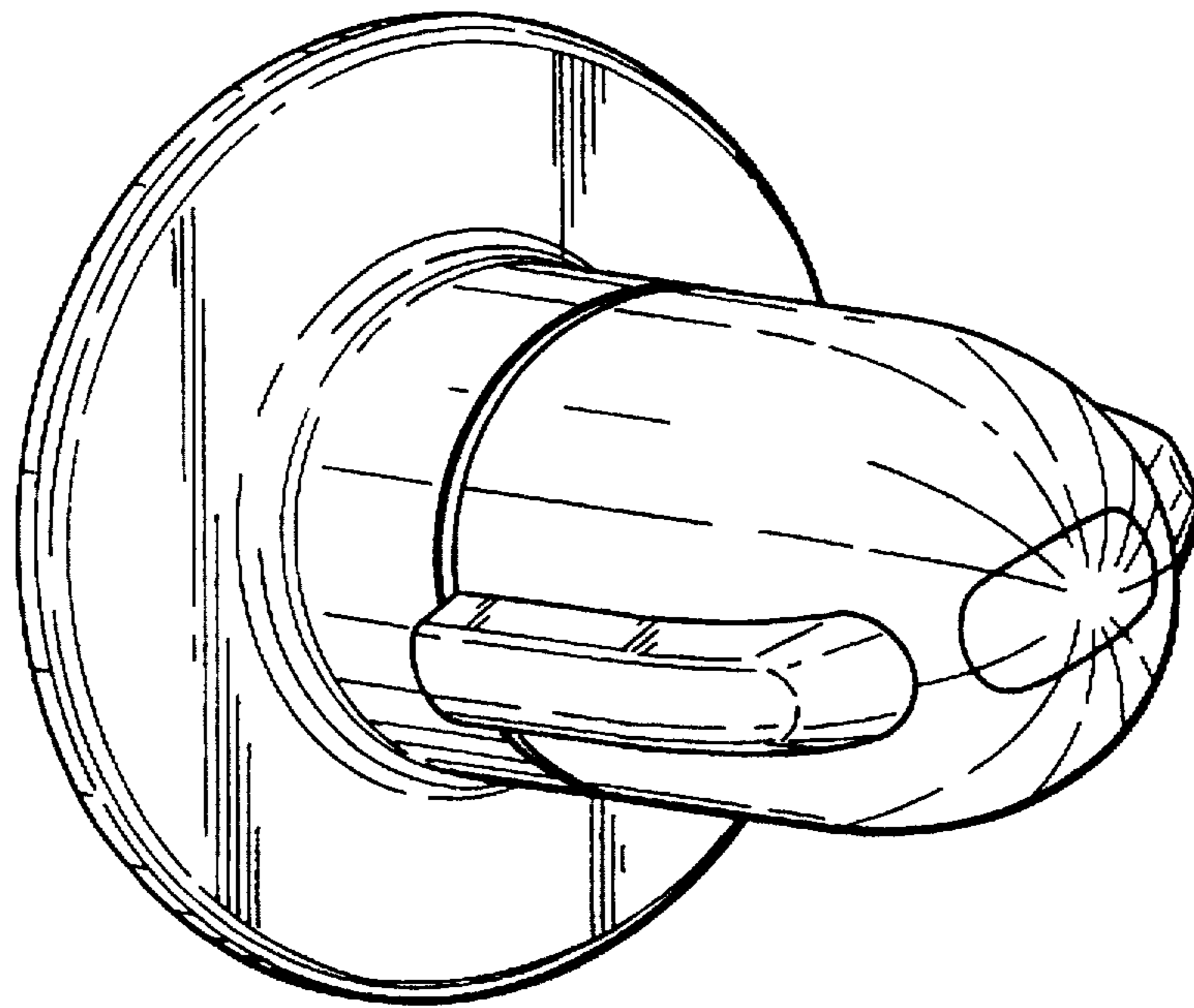


FIG. 1

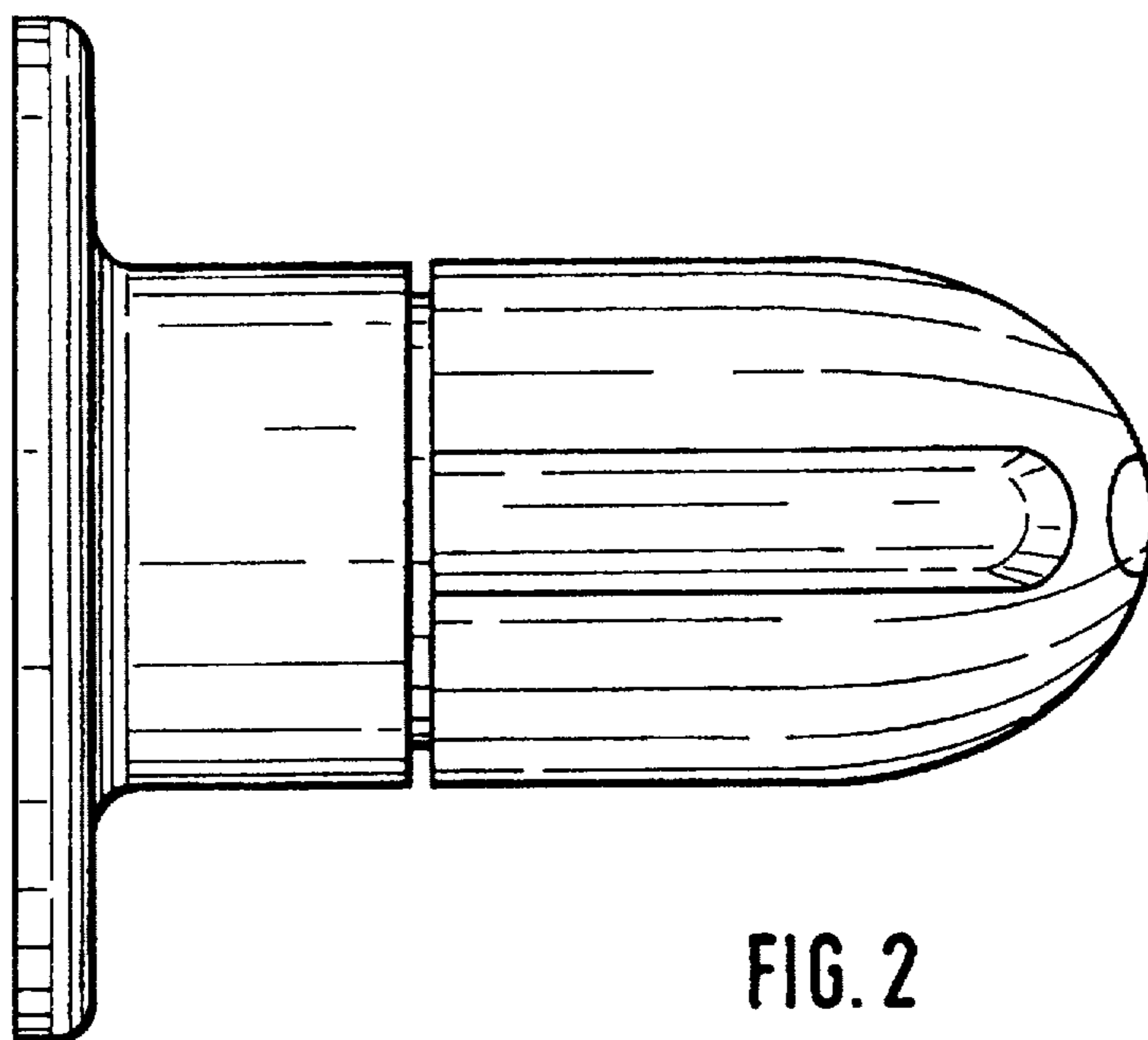


FIG. 2

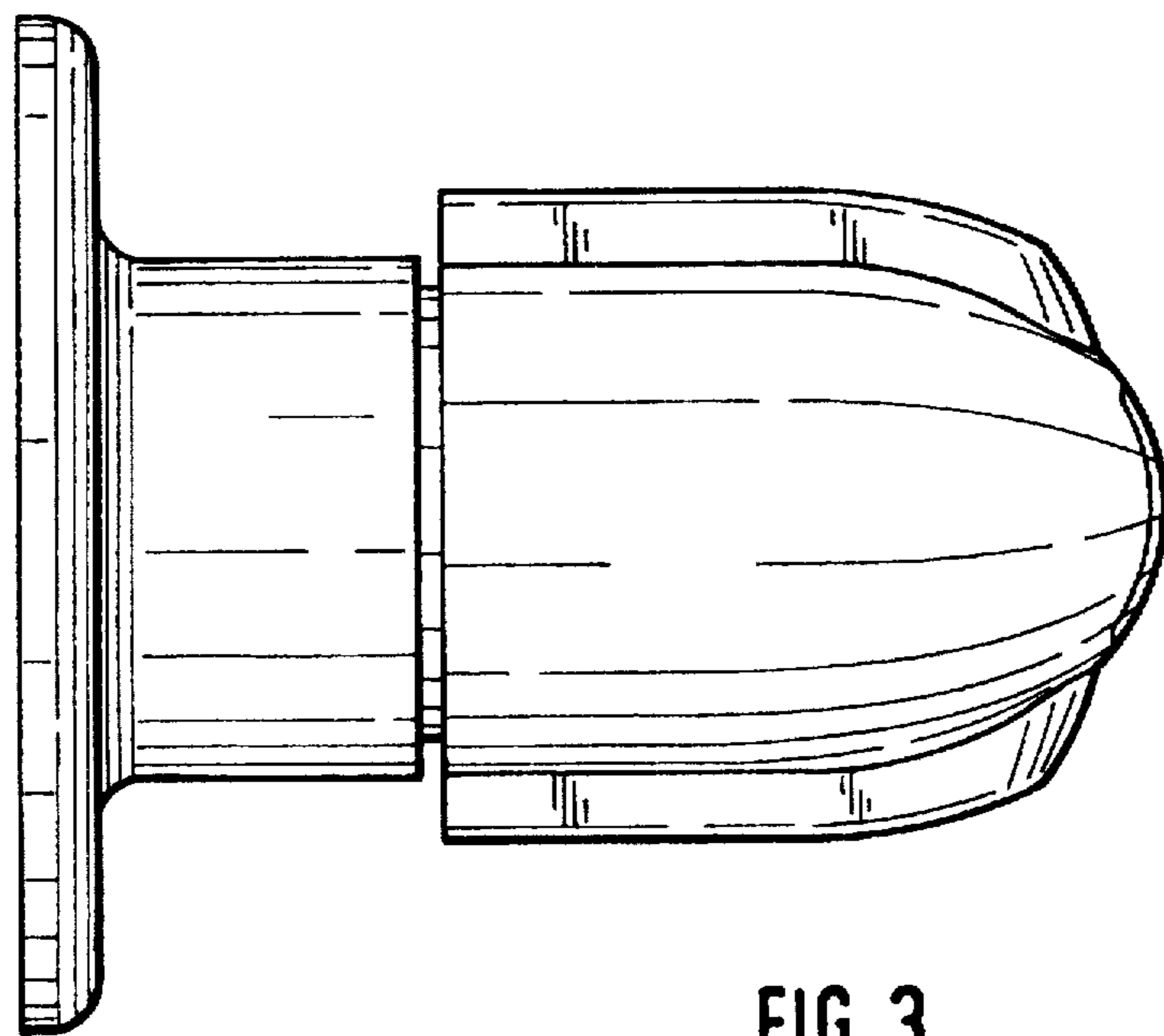


FIG. 3

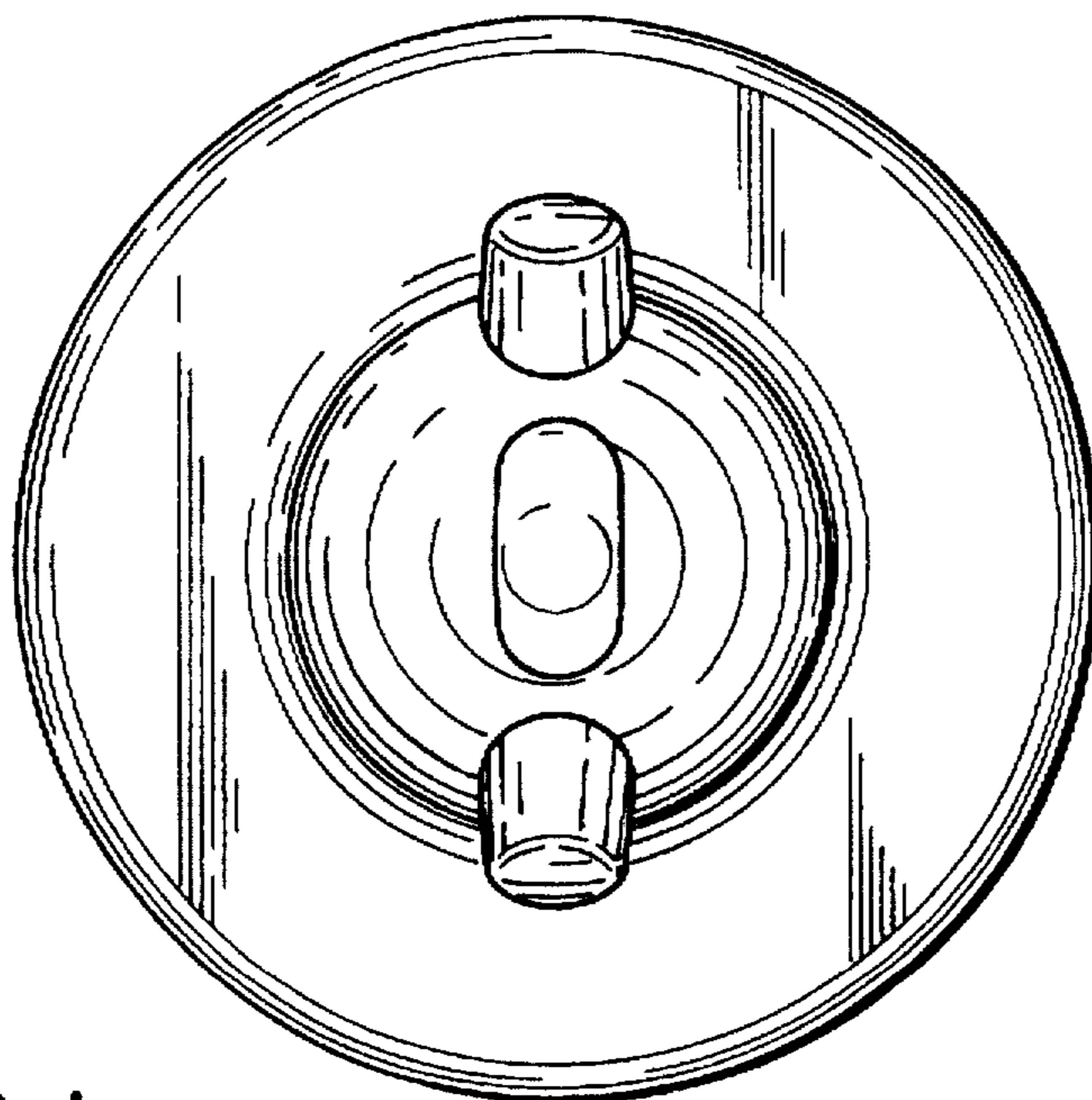


FIG. 4

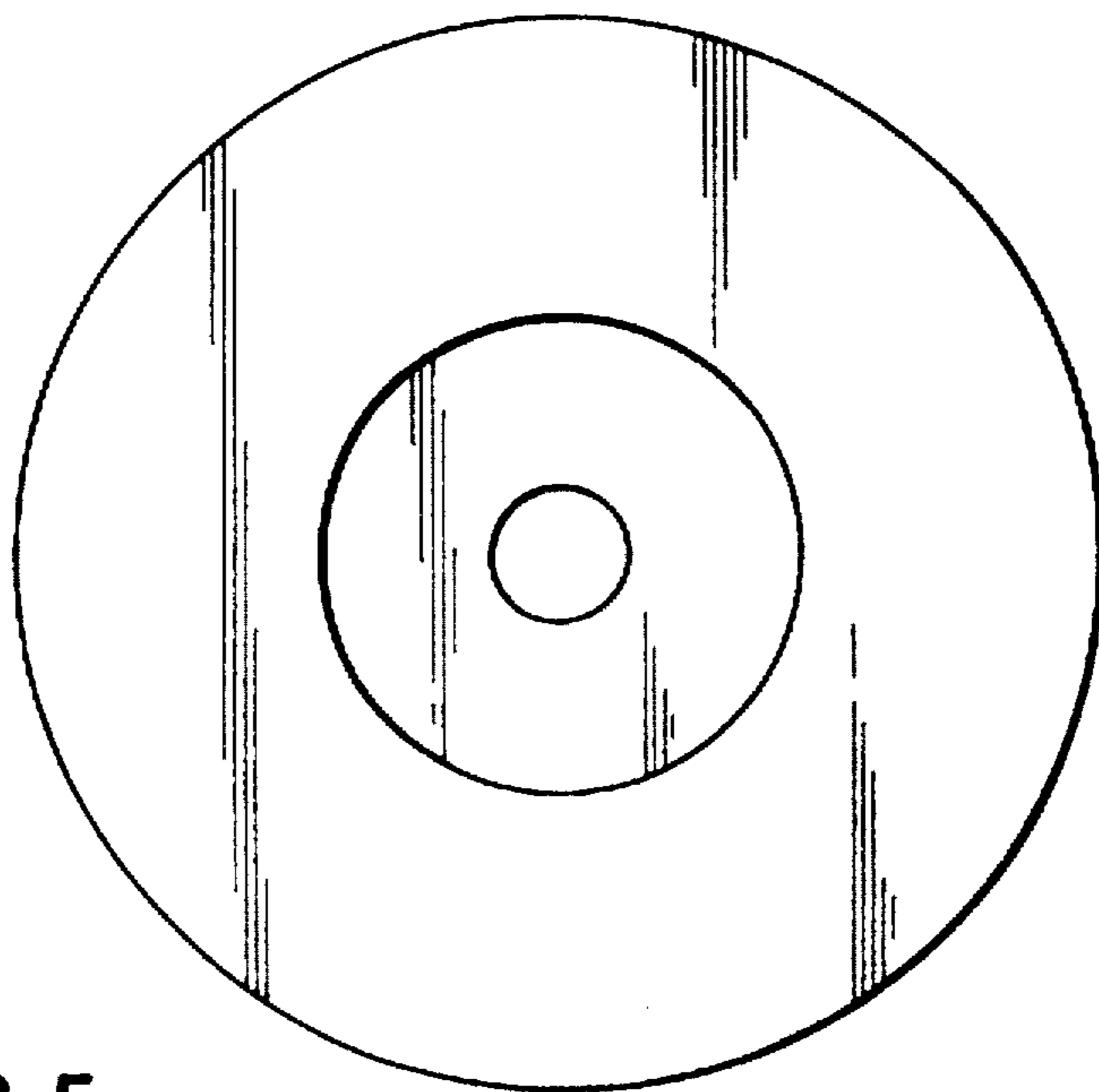


FIG. 5