



US00D397769S

United States Patent [19]

Lobermeier

[11] Patent Number: **Des. 397,769**

[45] Date of Patent: ****Sep. 1, 1998**

[54] **FAUCET FOR A BIDET WITH AN EXTENDABLE SPOUT PORTION**

[75] Inventor: **Hans Lobermeier, Menden, Germany**

[73] Assignee: **Friedrich Grohe AG, Hemer, Germany**

[**] Term: **14 Years**

[21] Appl. No.: **70,350**

[22] Filed: **May 7, 1997**

[30] Foreign Application Priority Data

Nov. 19, 1996 [DE] Germany M9609980.1

[51] LOC (6) Cl. **23-01**

[52] U.S. Cl. **D23/238**

[58] Field of Search **D23/238-243, D23/250-257; 9/675-678; 137/801**

[56] References Cited

U.S. PATENT DOCUMENTS

D. 358,866 5/1995 Haug et al. **D23/238**

D. 360,678	7/1995	Mine	D23/238
D. 367,919	3/1996	Lobermeier	D23/238
D. 368,301	3/1996	Lobermeier	D23/238
D. 373,178	8/1996	Gottwod	D23/238

Primary Examiner—Louis S. Zarfaz
Assistant Examiner—Eric Watterson
Attorney, Agent, or Firm—Herbert Dubno

[57] CLAIM

The ornamental design for a faucet for a bidet with an extendable spout portion, as shown and described.

DESCRIPTION

FIG. 1 is a top, front, left-side perspective view of a faucet for a bidet with an extendable spout portion showing my new design;

FIG. 2 is a top view thereof;

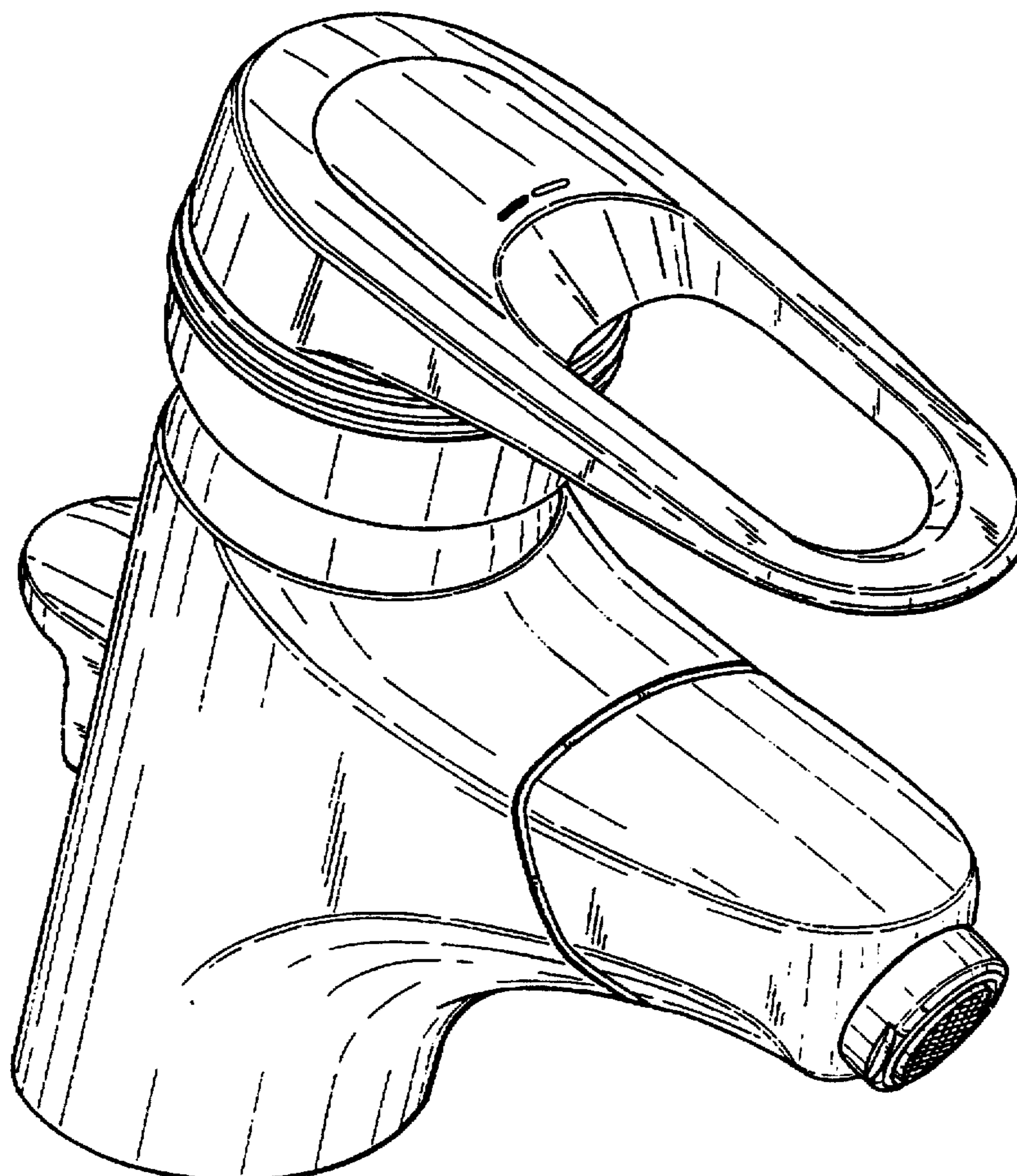
FIG. 3 is a left side elevational view thereof, the right side being mirror symmetrical thereto;

FIG. 4 is a bottom view thereof;

FIG. 5 is a front view thereof; and,

FIG. 6 is a rear view thereof.

1 Claim, 3 Drawing Sheets



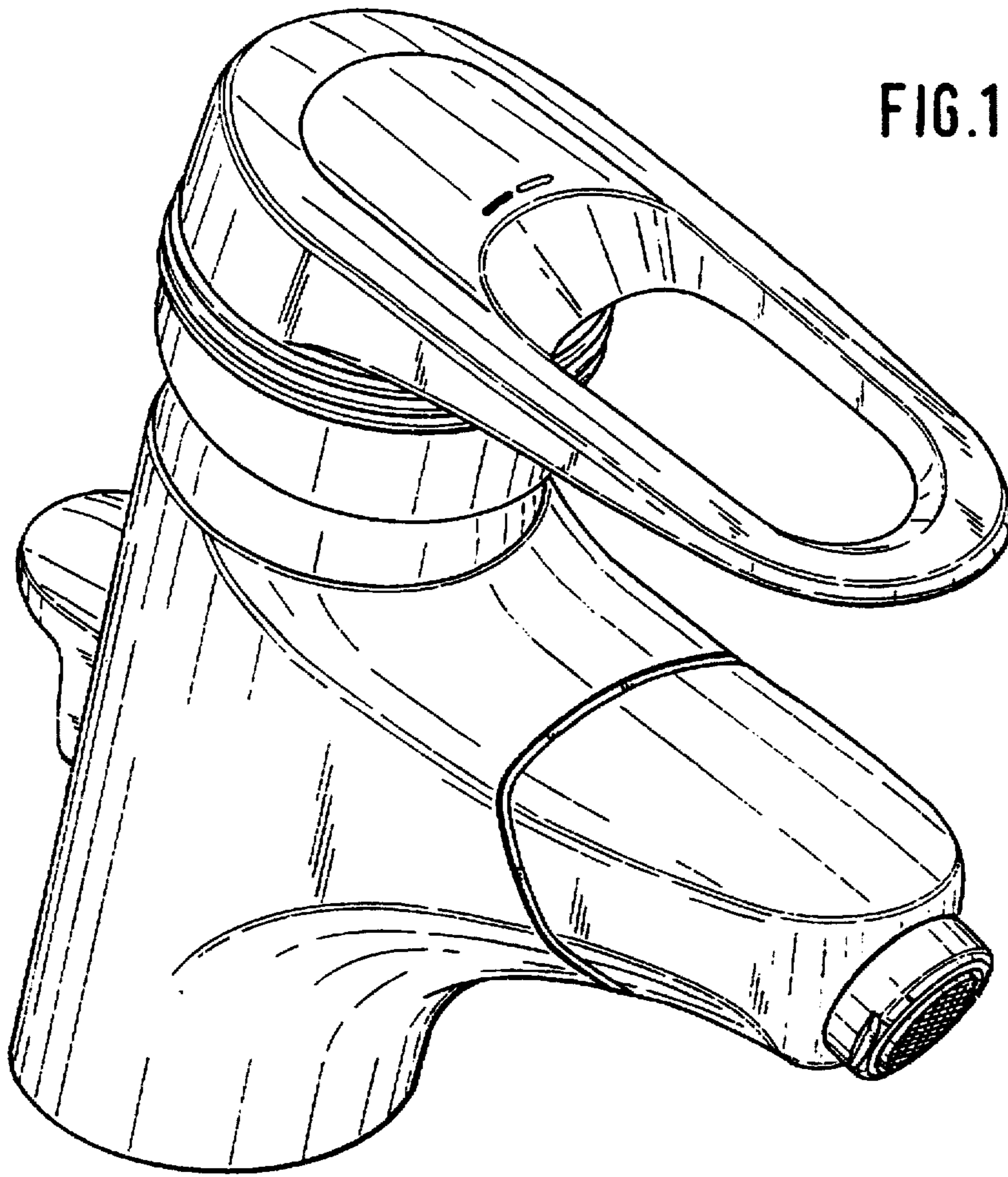


FIG. 1

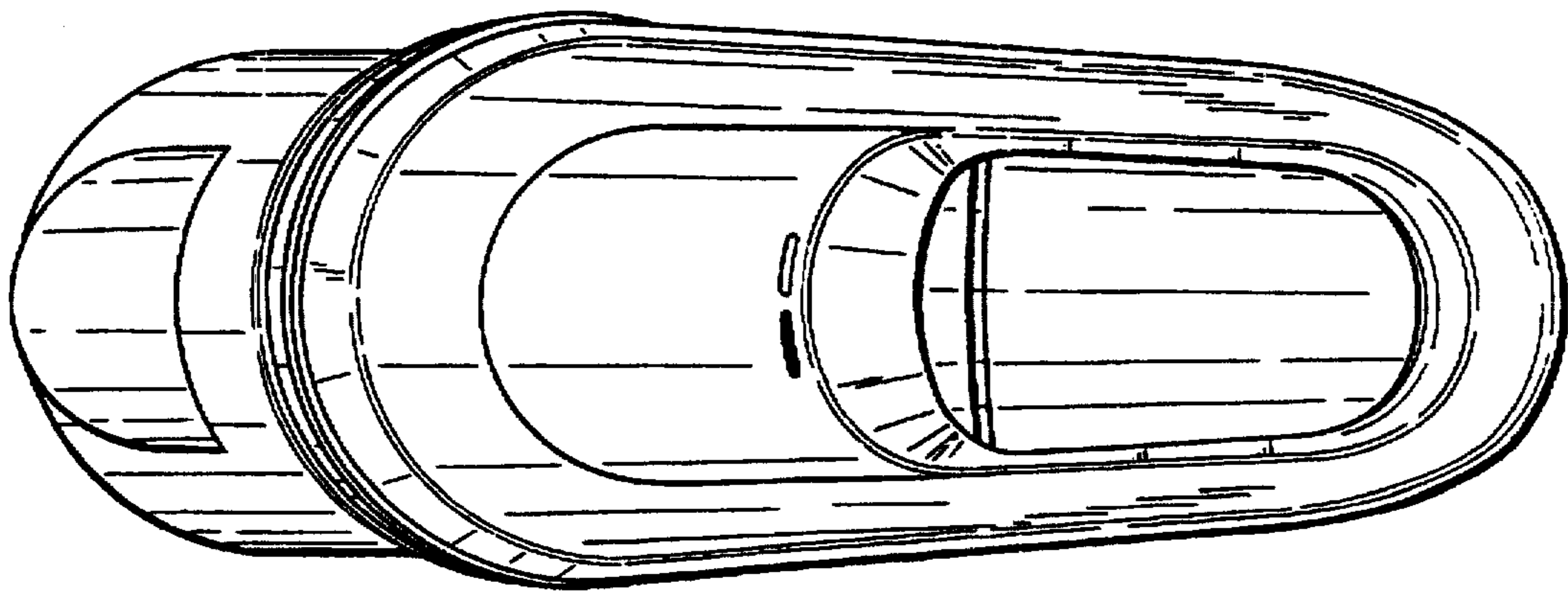


FIG. 2

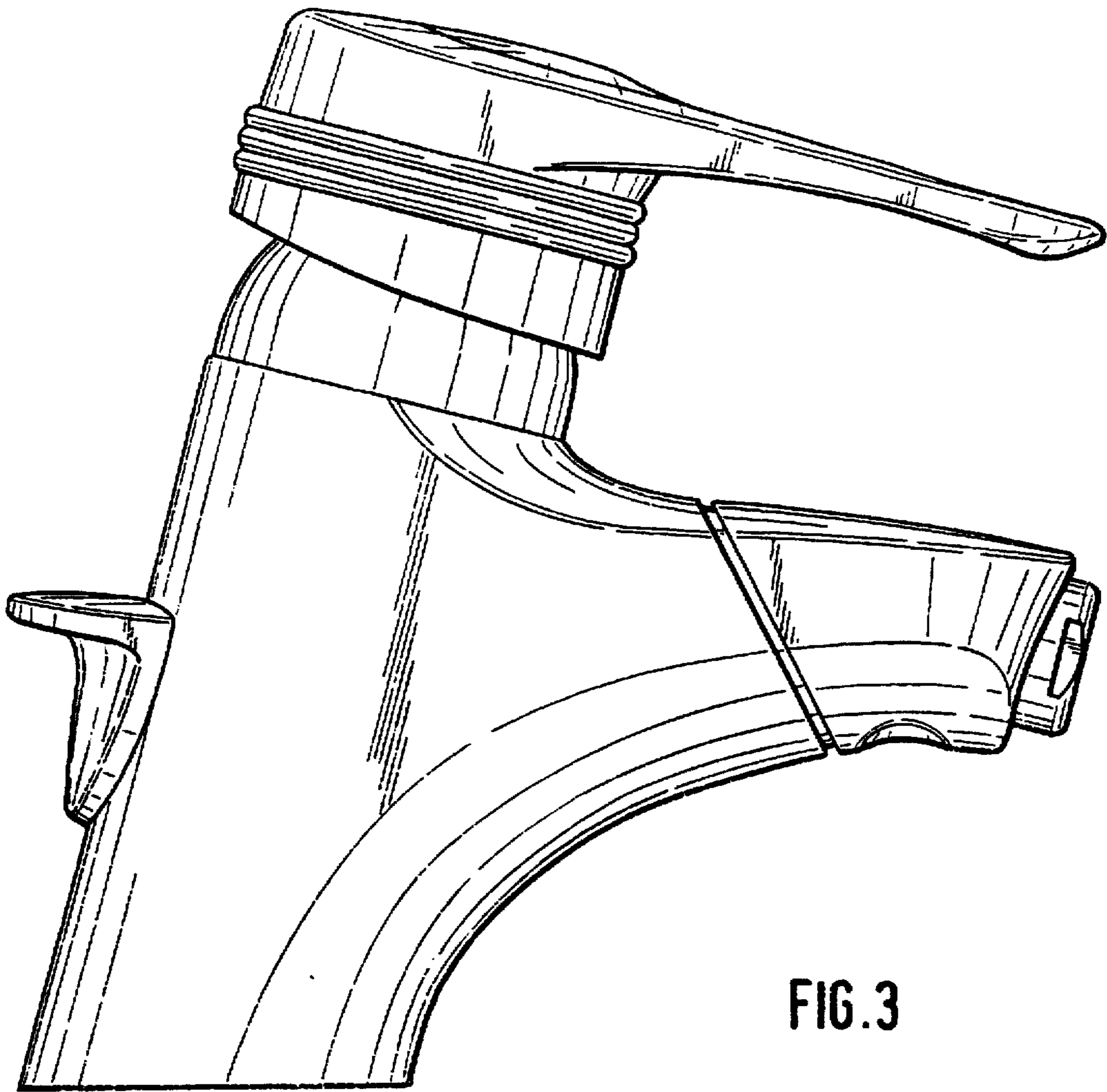
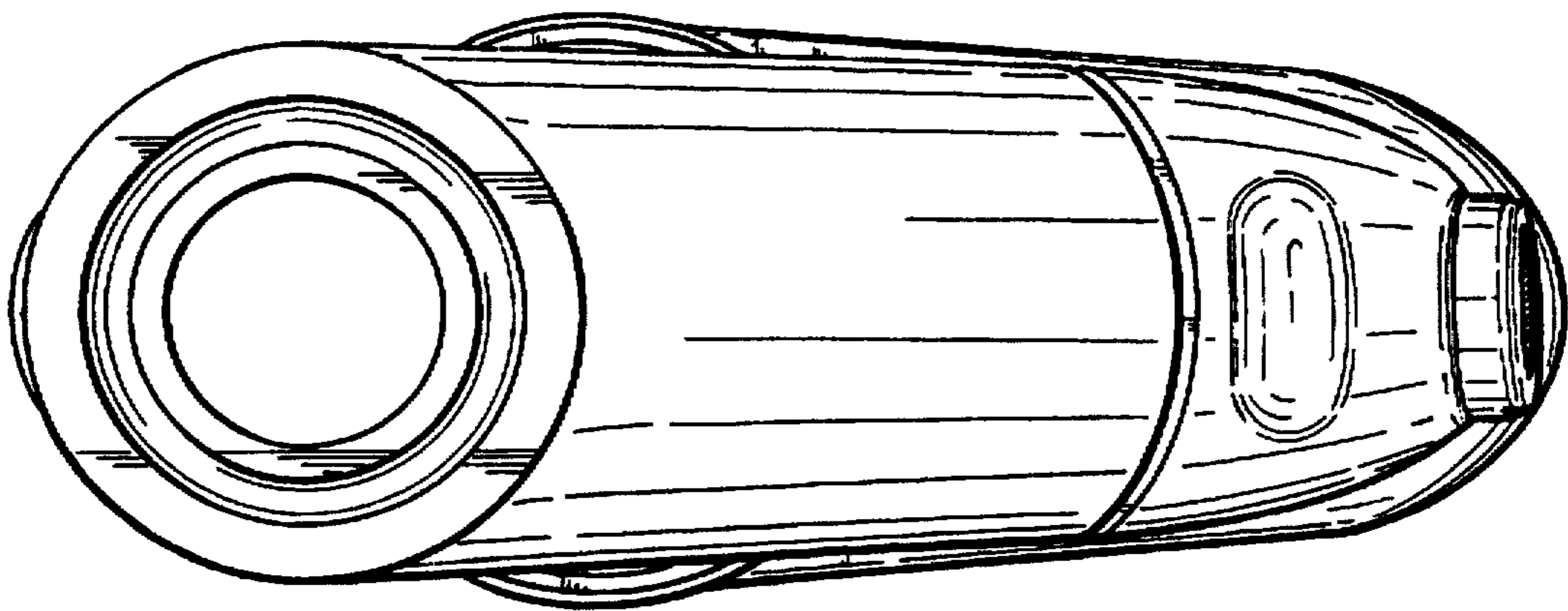


FIG. 4



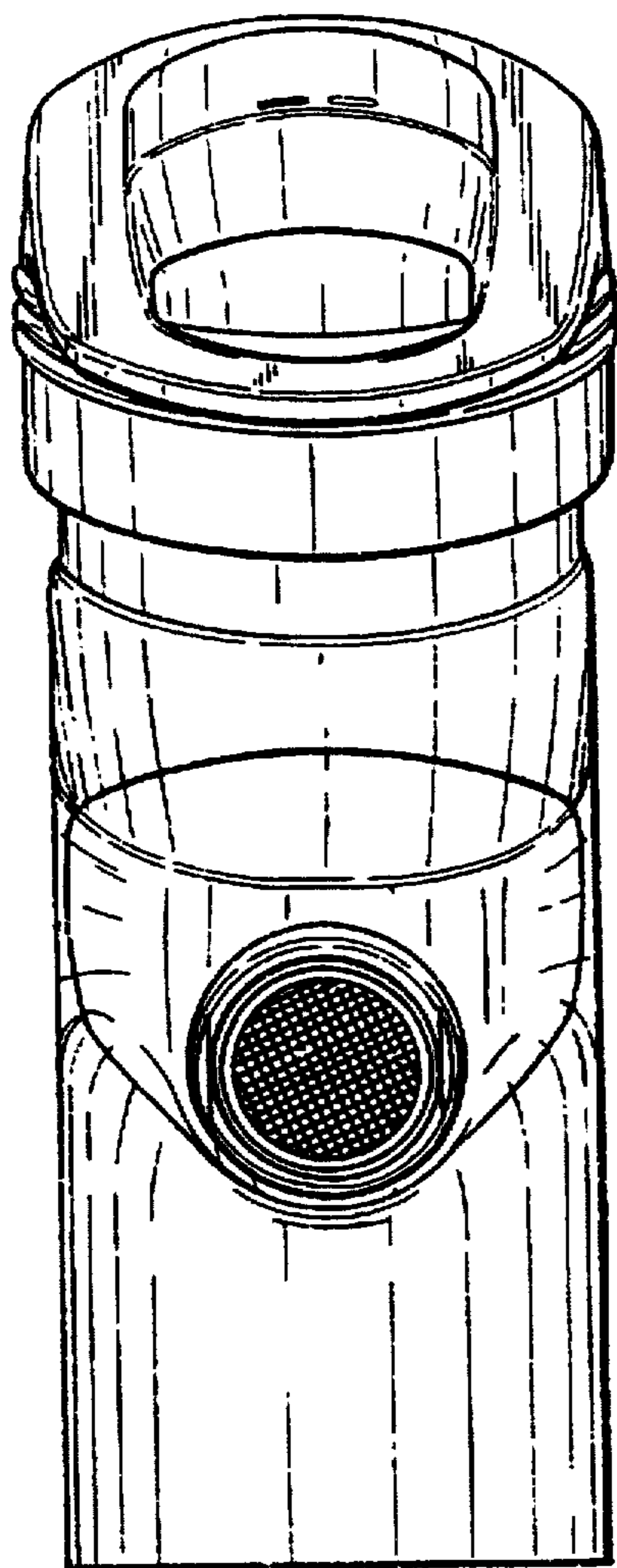


FIG. 5

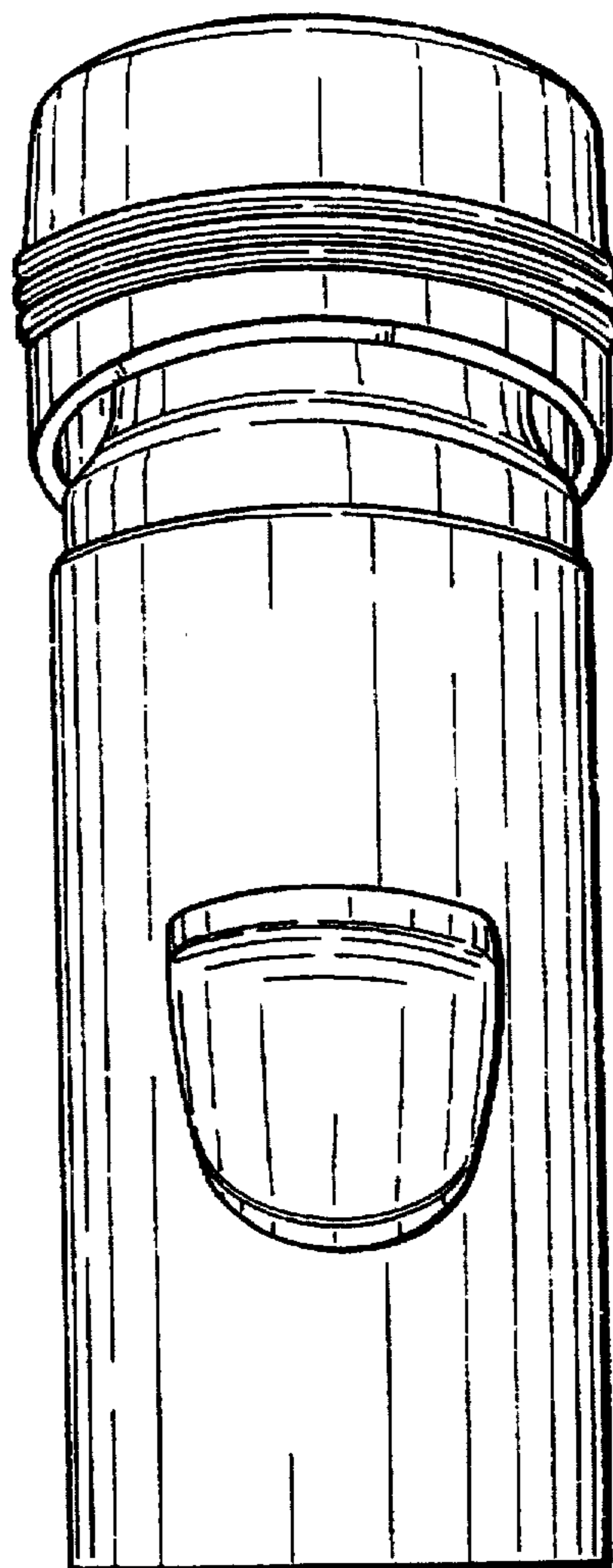


FIG. 6