



US00D397767S

United States Patent [19]
Gustafsson

[11] **Patent Number:** **Des. 397,767**
[45] **Date of Patent:** ****Sep. 1, 1998**

[54] **SLIDE VALVE**

[75] **Inventor:** **Kenneth Gustafsson, Sodertalje, Sweden**

[73] **Assignee:** **Alfa Laval Agri AB, Tumba, Sweden**

[**] **Term:** **14 Years**

[21] **Appl. No.:** **61,843**

[22] **Filed:** **Oct. 31, 1996**

4,214,552	7/1980	Olander .	
4,366,772	1/1983	Panock .	
4,577,654	3/1986	Pringle .	
5,160,118	11/1992	Sary .	
5,203,539	4/1993	Sary .	
5,454,792	10/1995	Tellicol et al.	604/191
5,570,870	11/1996	Bilgreay	257/258

FOREIGN PATENT DOCUMENTS

2637117	6/1977	Germany .
4003367	8/1991	Germany .
604544	4/1978	U.S.S.R. .

Related U.S. Application Data

[62] **Division of Ser. No. 31,491, Nov. 29, 1994.**

[30] **Foreign Application Priority Data**

May 31, 1994	[SE]	Sweden	941252
May 31, 1994	[SE]	Sweden	941253

[51] **LOC (6) Cl.** **23-01**

[52] **U.S. Cl.** **D23/237**

[58] **Field of Search** **D23/262, 265, D23/266, 269, 233-237; 251/159, 172, 193, 208, 325; 137/553; 604/191**

[56] **References Cited**

U.S. PATENT DOCUMENTS

D. 269,110	5/1983	Logsdon	D23/269
D. 310,868	9/1990	Wilder	D23/265
D. 319,683	9/1991	Scordmucci	D23/237
D. 386,568	11/1997	Yoshihoro	D23/237
3,820,506	6/1974	Conde .	
4,120,476	10/1978	Hasegawa .	

Primary Examiner—Louis S. Zarfaz
Assistant Examiner—Eric Watterson
Attorney, Agent, or Firm—Hovey, Williams, Timmons & Collins

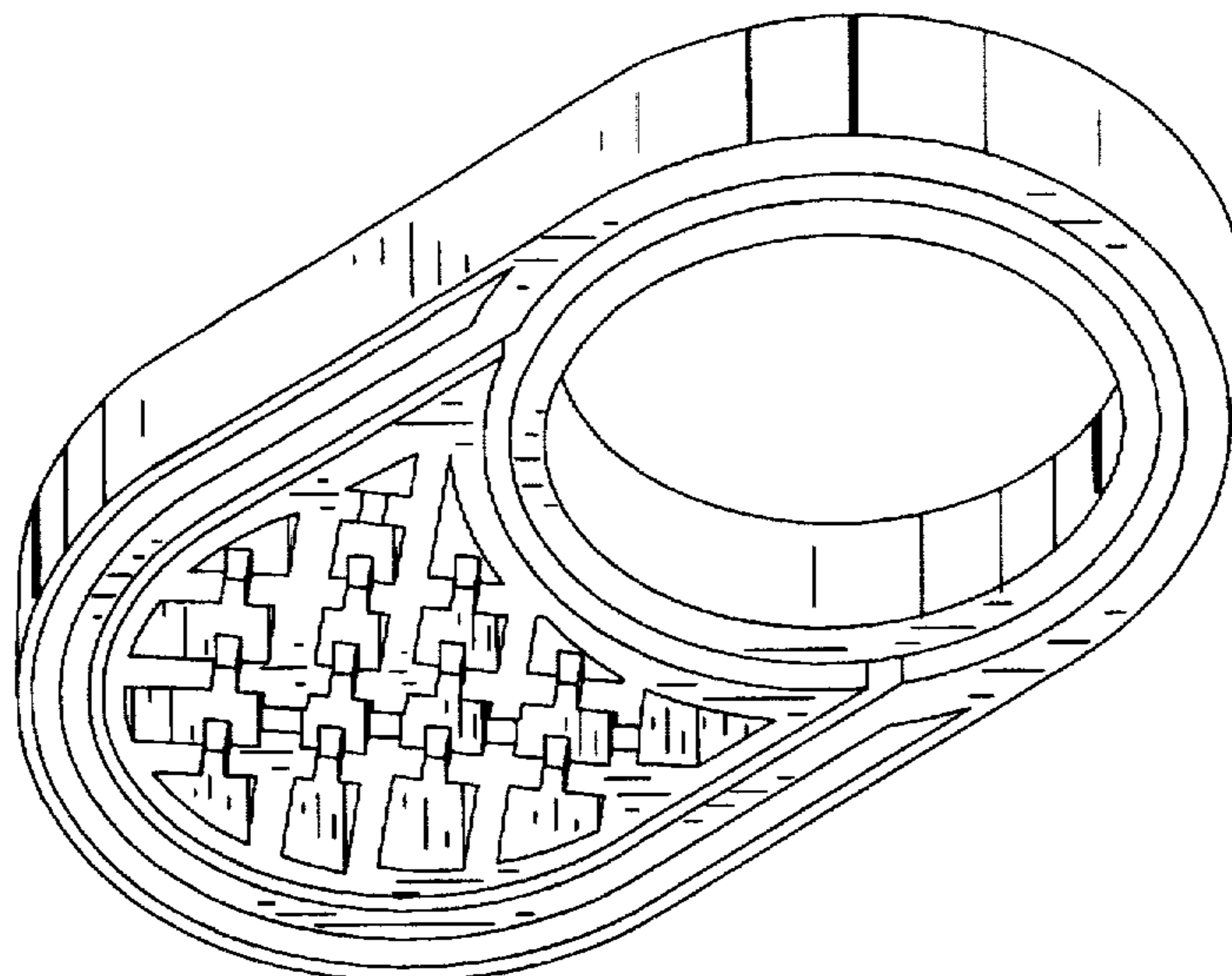
[57] **CLAIM**

The ornamental design for a slide valve, as shown and described.

DESCRIPTION

FIG. 1 is a right front perspective view of a slide valve for use in connection with a milk pipeline valve, showing my new design;
FIG. 2 is a rear left perspective view thereof;
FIG. 3 is a front elevational view thereof;
FIG. 4 is a right side elevational view thereof;
FIG. 5 is a bottom plan view thereof;
FIG. 6 is a rear elevational view thereof;
FIG. 7 is a left side elevational view thereof; and,
FIG. 8 is a top plan view thereof.

1 Claim, 1 Drawing Sheet



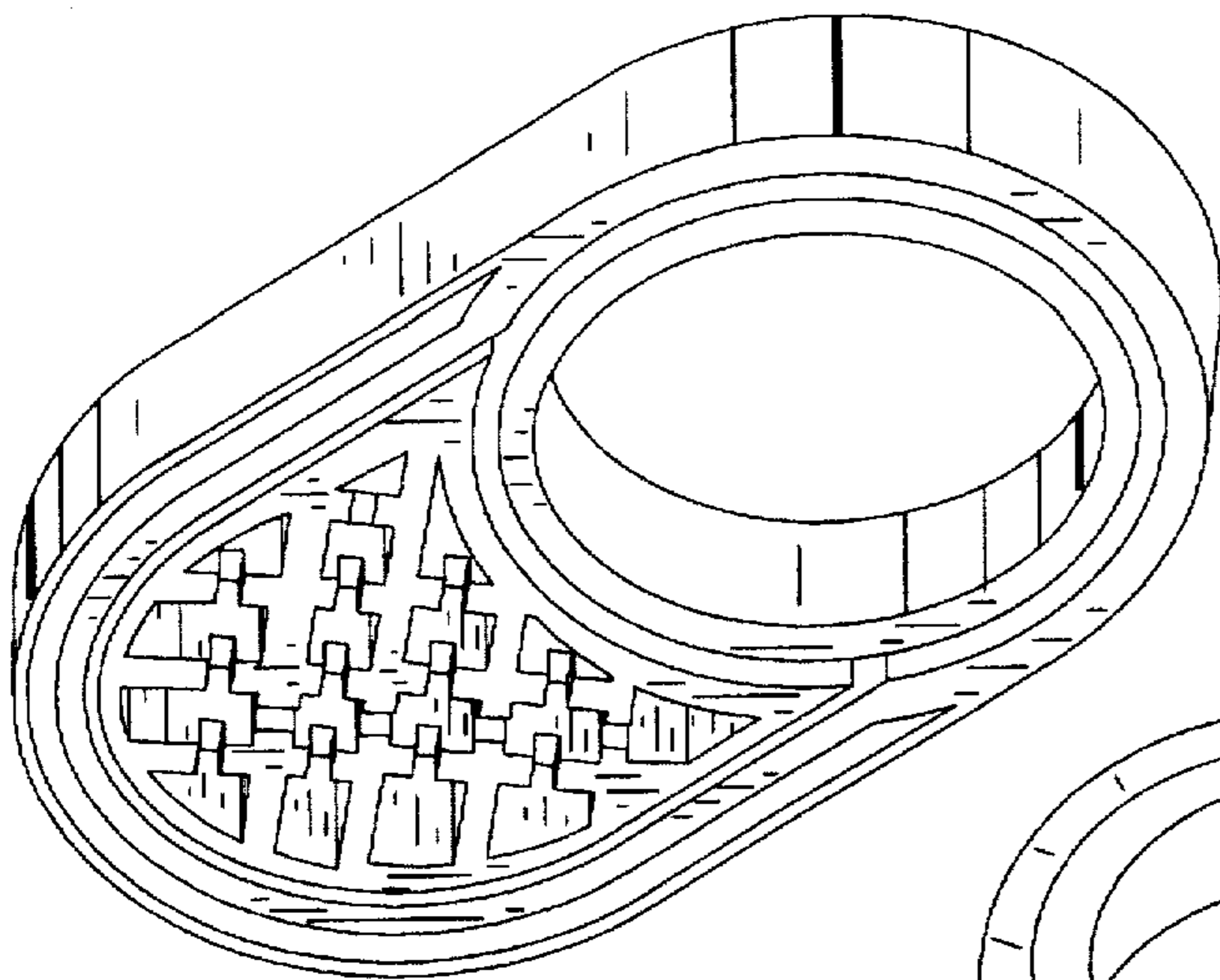


Fig. 1.

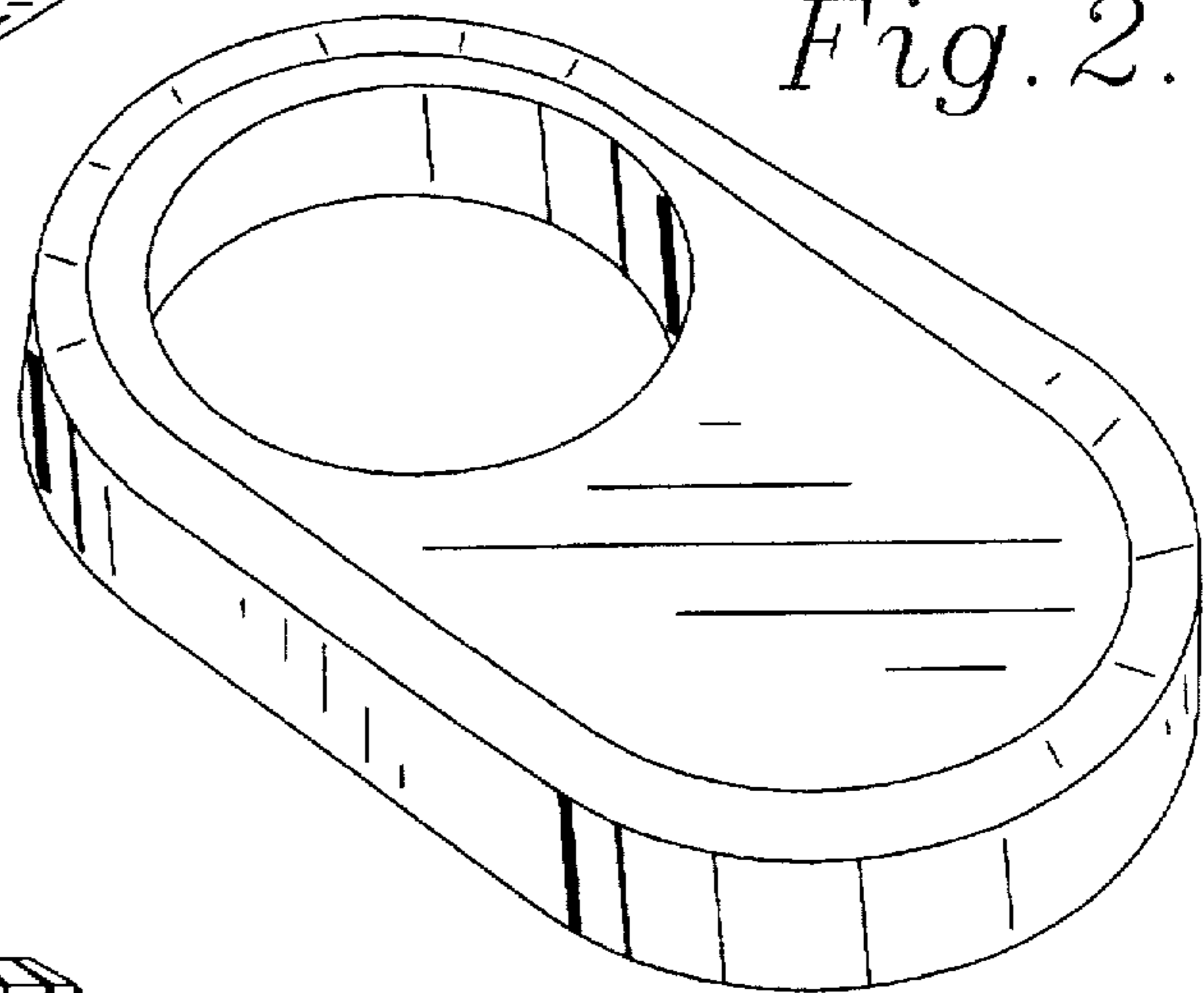


Fig. 2.

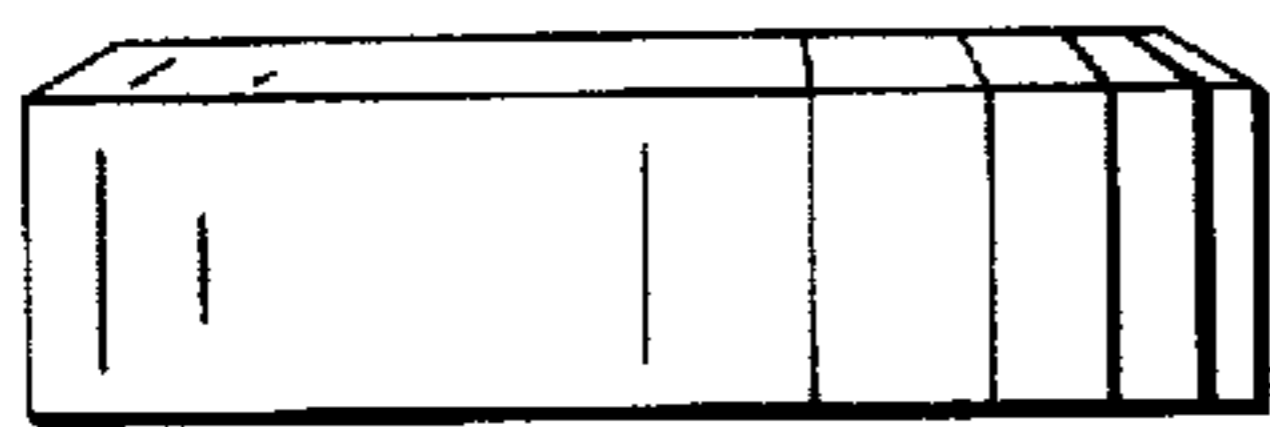


Fig. 3.



Fig. 4.



Fig. 6.

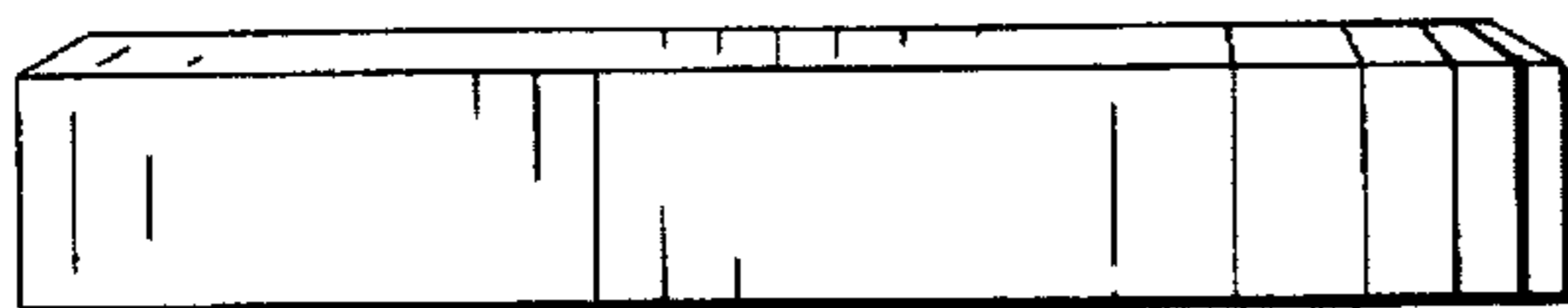


Fig. 7.

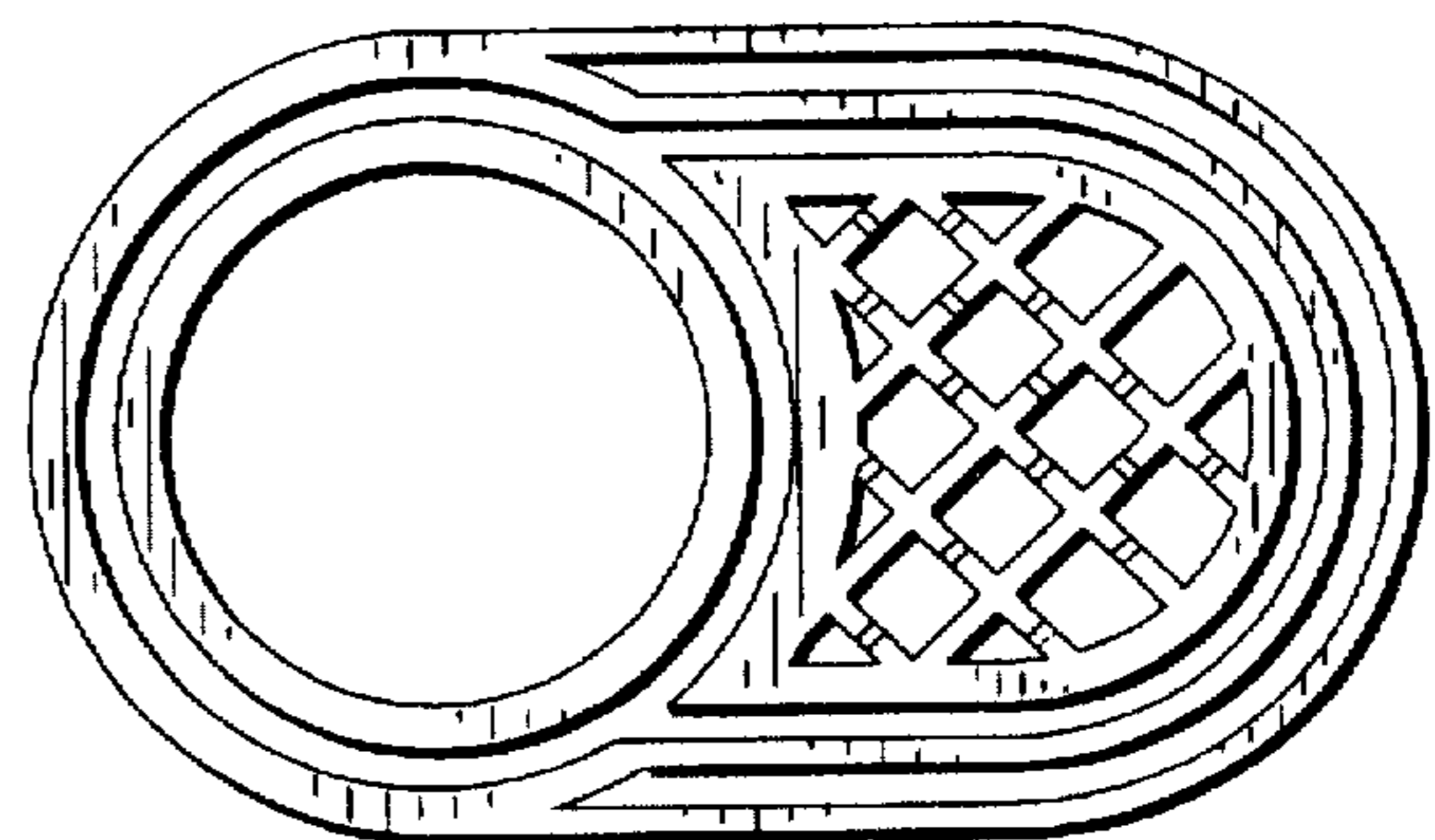


Fig. 5.

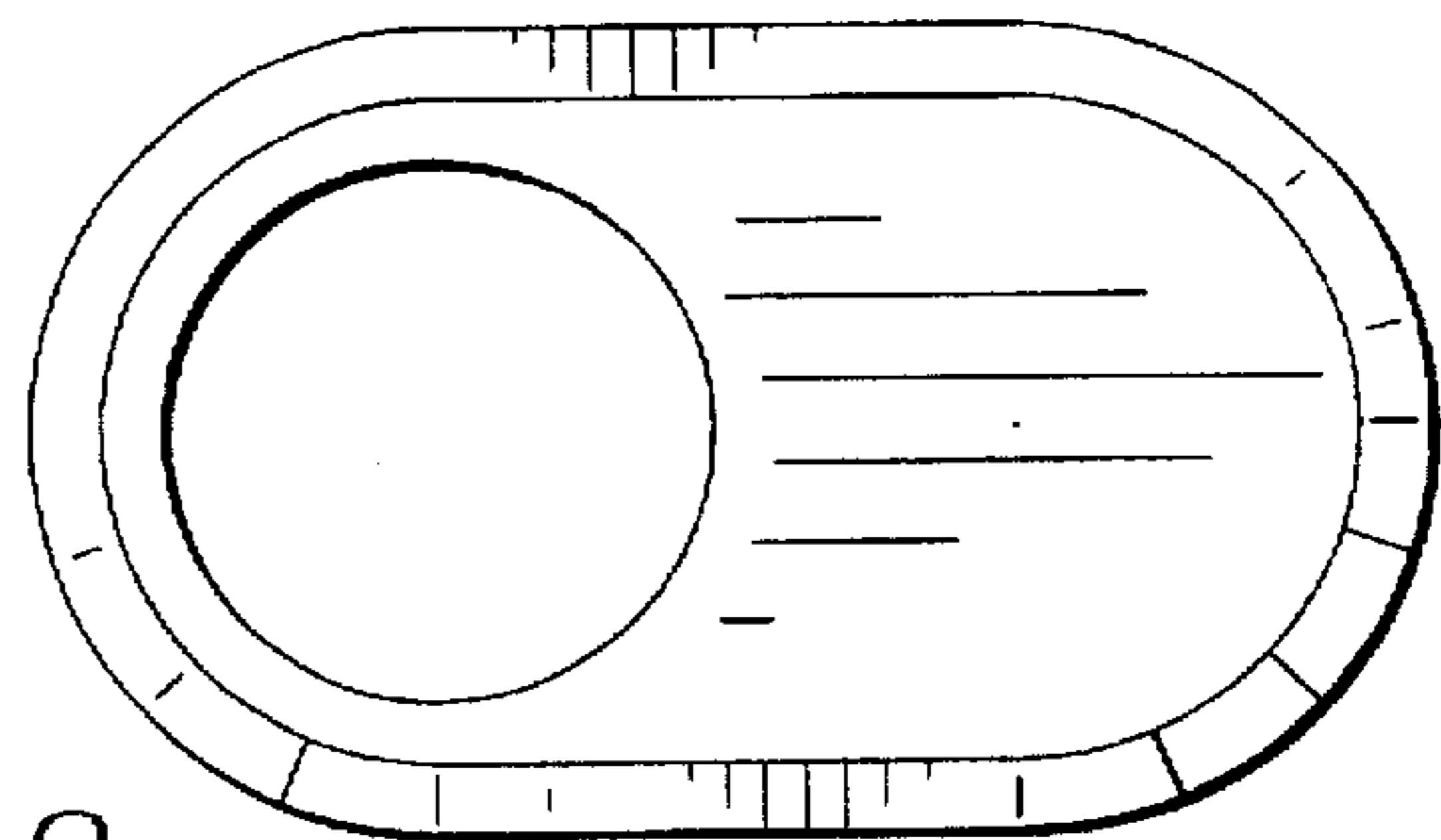


Fig. 8.