



US00D397764S

# United States Patent [19] Strand

[11] Patent Number: Des. 397,764  
[45] Date of Patent: \*\*Sep. 1, 1998

[54] HOUSING FOR A WATER FILTER

[76] Inventor: Charles D. Strand, 8811 Royal Harbor Ct., Ft. Worth, Tex. 76179

[\*\*] Term: 14 Years

[21] Appl. No.: 62,381

[22] Filed: Nov. 4, 1996

[51] LOC (6) Cl. .... 23-01

[52] U.S. Cl. .... D23/209; D23/207

[58] Field of Search ..... D23/200, 207, D23/209; 210/459-461, 232, 340, 341

[56] References Cited

U.S. PATENT DOCUMENTS

D. 213,440	3/1969	Wildgen	.....	D23/207
D. 224,654	8/1972	Campbell	.....	D23/207
D. 231,456	4/1974	Marsh	.....	D23/207
D. 256,719	9/1980	Rose	.....	D23/207
D. 332,131	12/1992	Chez	.....	D23/209

Primary Examiner—Alan P. Douglas  
Assistant Examiner—Robin V. Taylor  
Attorney, Agent, or Firm—Daniel V. Thompson

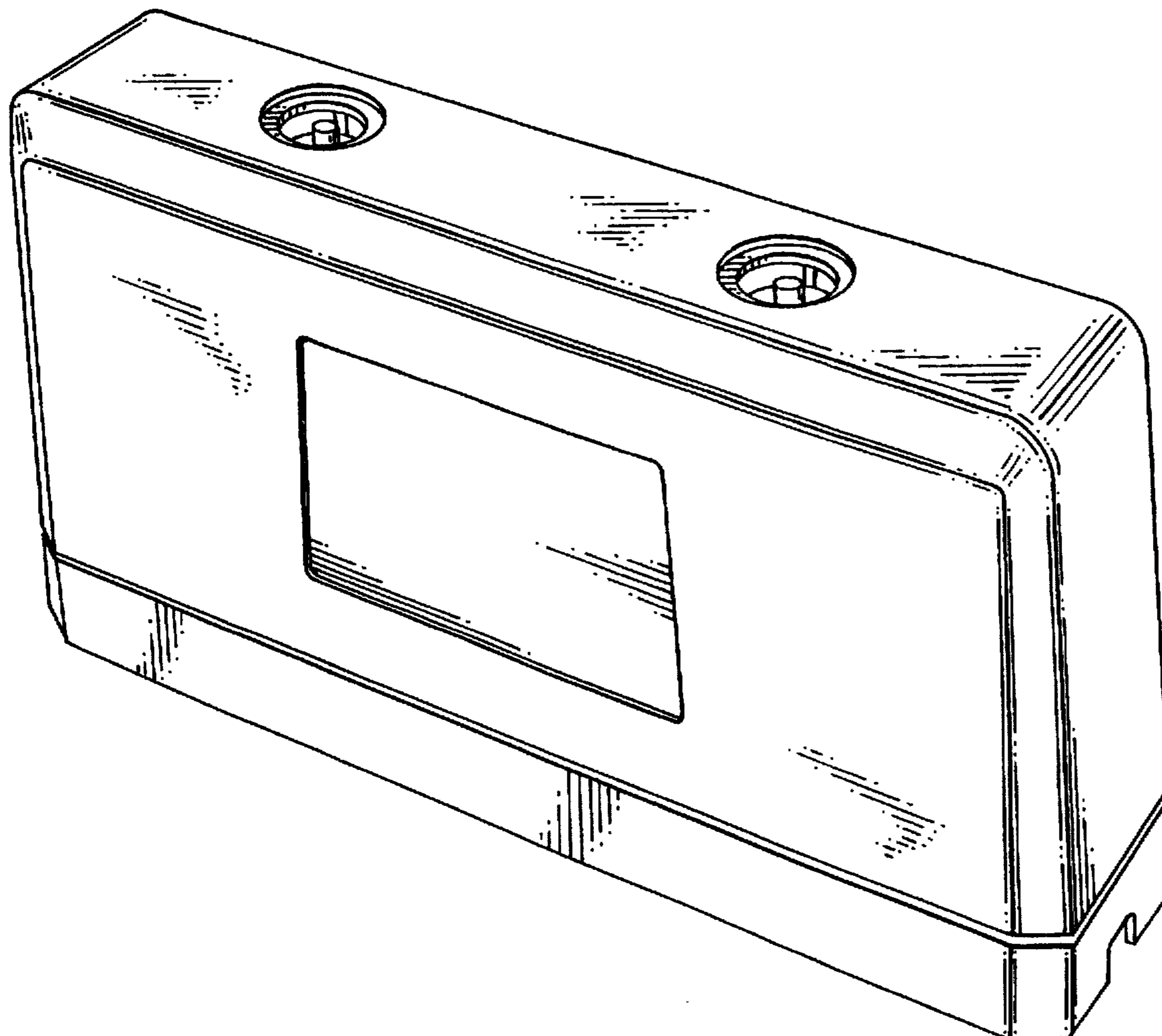
[57] CLAIM

The ornamental design for a housing for a water filter, as shown and described.

DESCRIPTION

FIG. 1 is a front perspective view of my new design for a housing for a water filter;  
FIG. 2 is a top view of my new design for a housing;  
FIG. 3 is a side elevational view of my new design for a housing;  
FIG. 4 is a bottom plan view of my new design for a housing;  
FIG. 5 is an end elevational view of my new design for a housing;  
FIG. 6 is the other end elevational view of my new design for a housing; and,  
FIG. 7 is the other side elevational view of my new design for a housing.

1 Claim, 3 Drawing Sheets



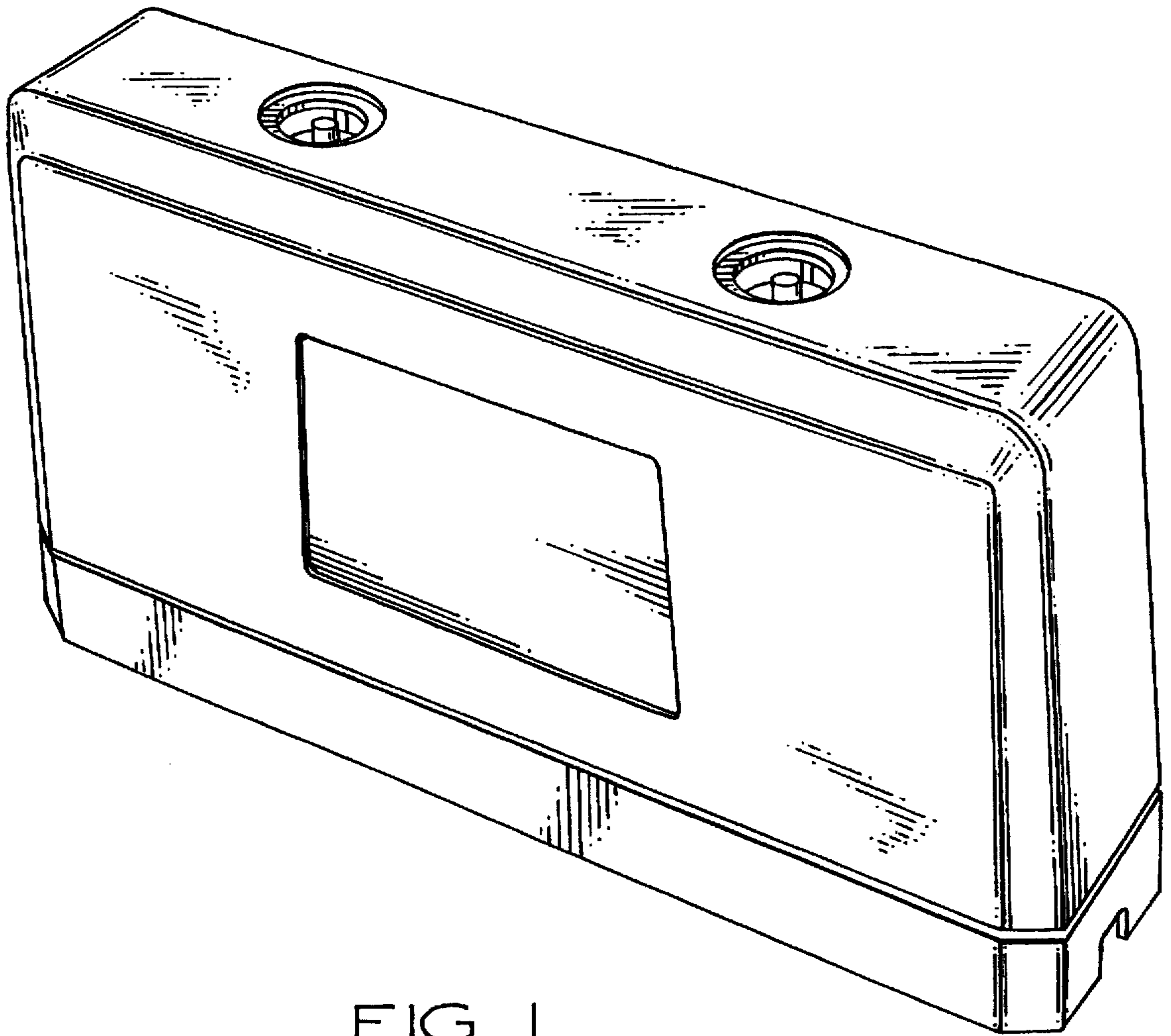


FIG. 1

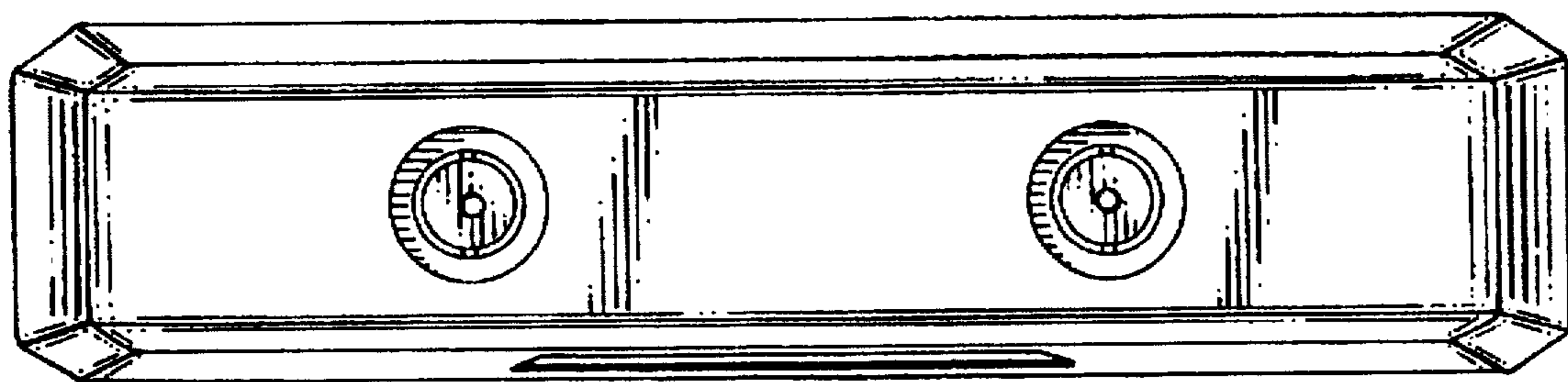


FIG. 2

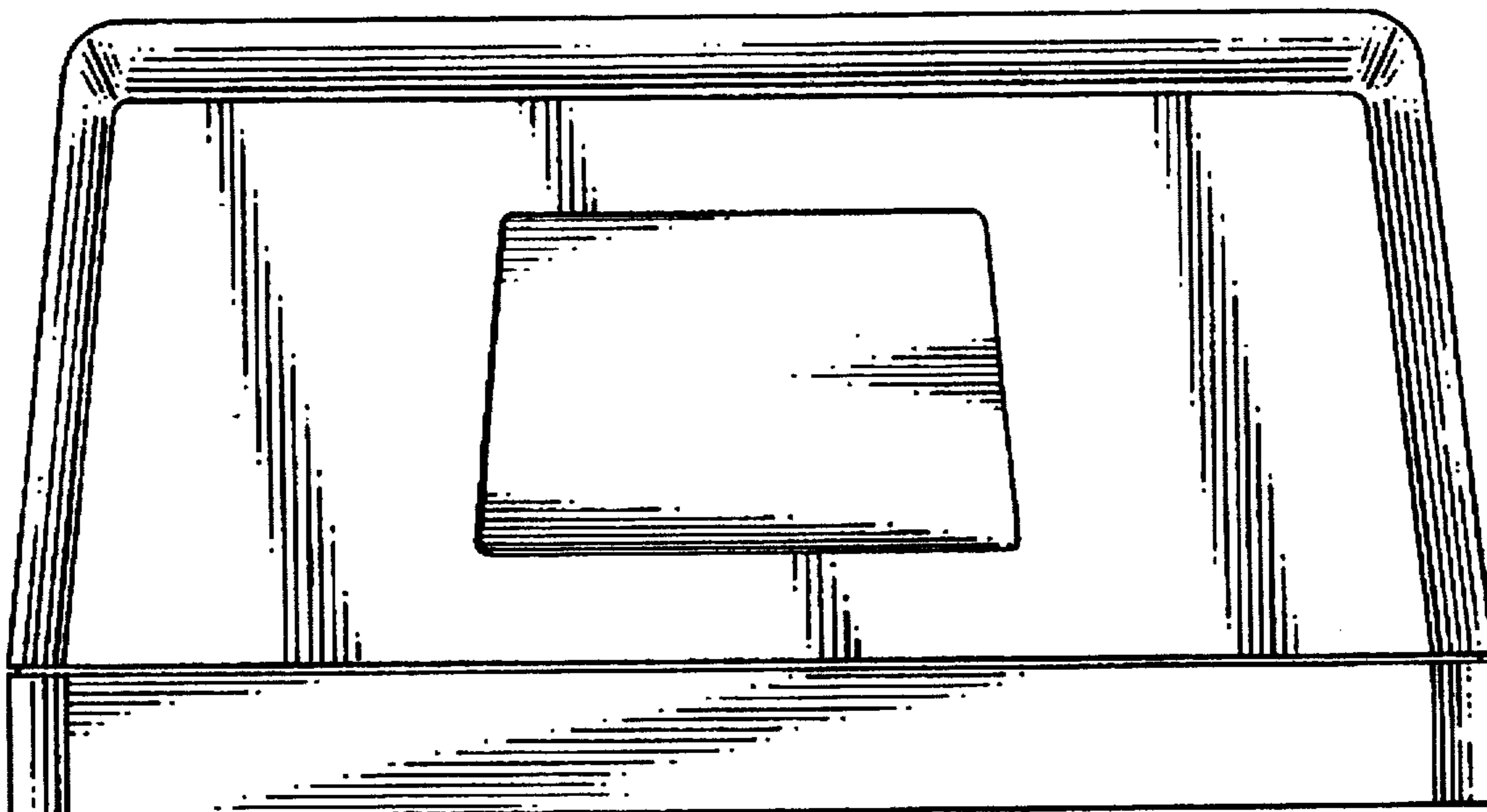


FIG. 3

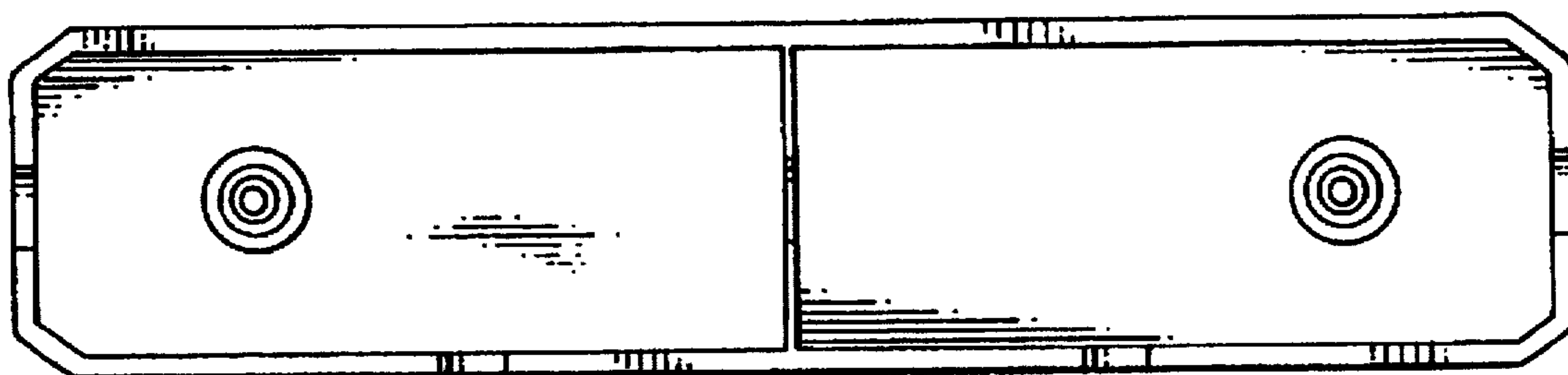


FIG. 4

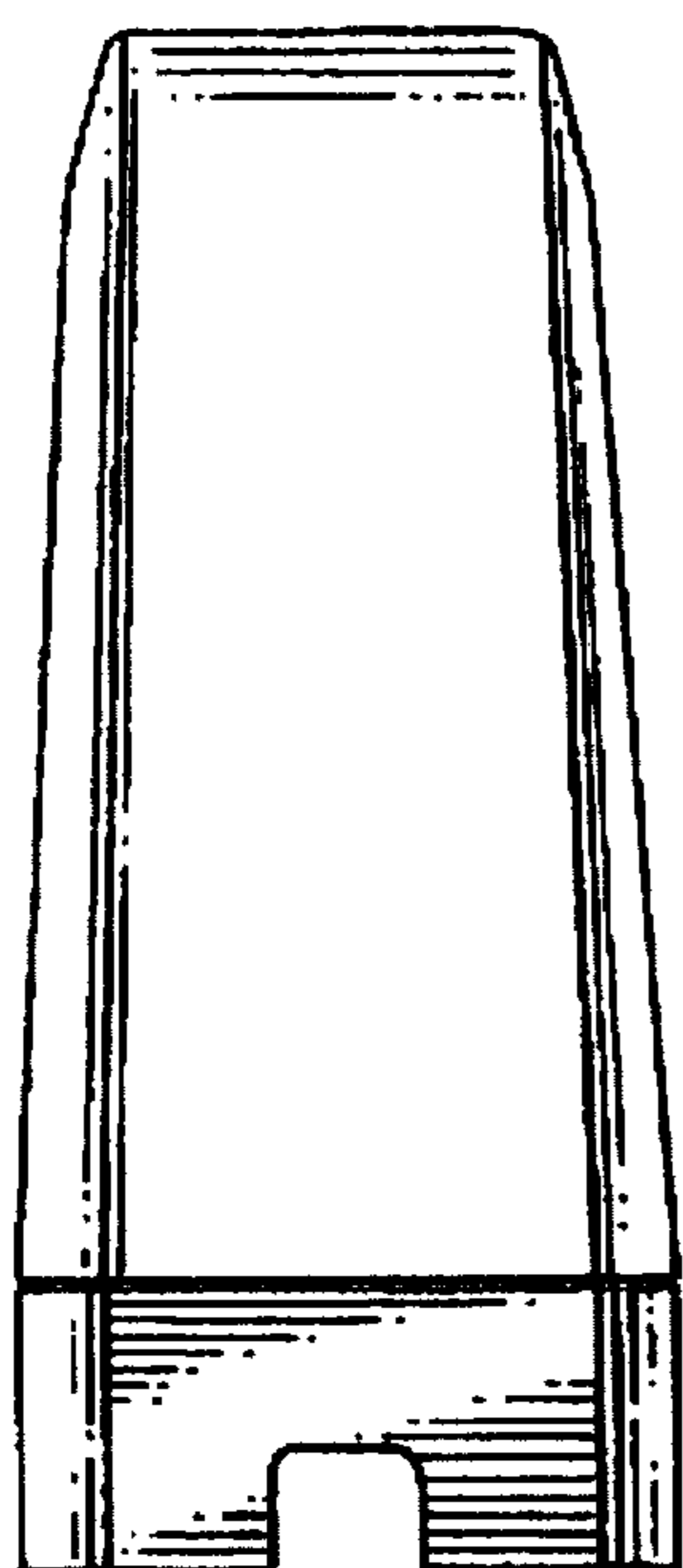


FIG. 5

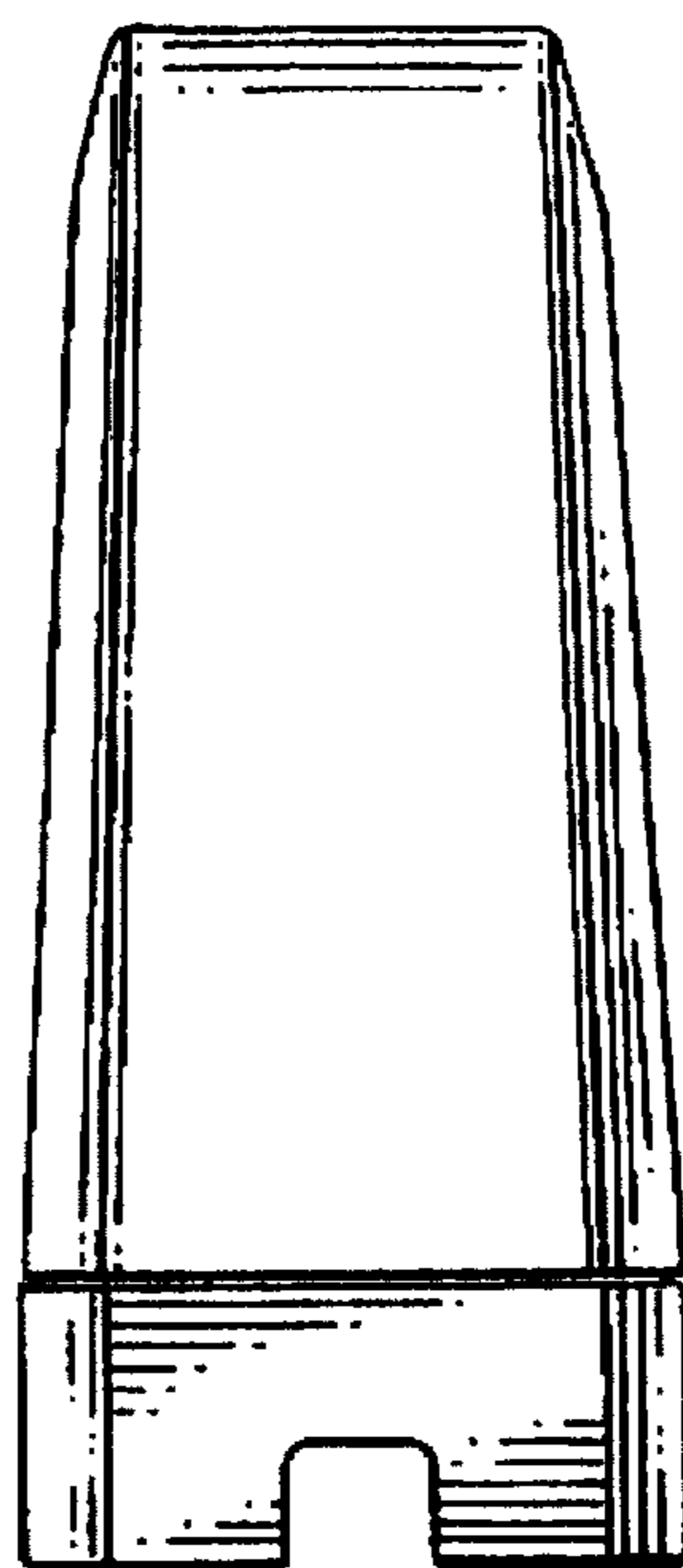


FIG. 6

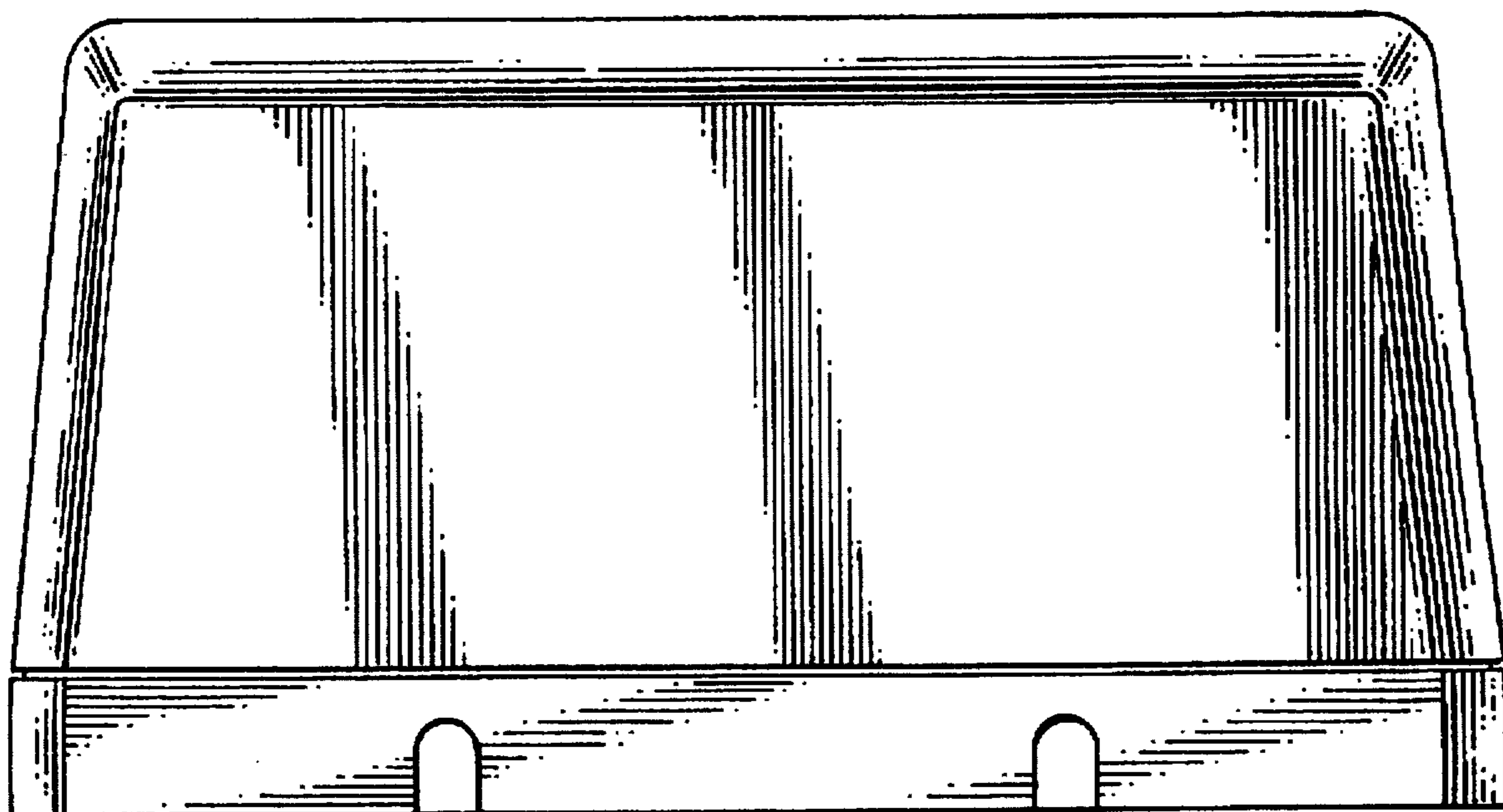


FIG. 7