



US00D397756S

United States Patent [19]

Hagerty

[11] Patent Number: **Des. 397,756**

[45] Date of Patent: ****Sep. 1, 1998**

[54] **TOY PLAYHOUSE**

[76] Inventor: **Tammy Lynn Hagerty**, 6803 N. State Rte. 48, Springboro, Ohio 45066

[**] Term: **14 Years**

[21] Appl. No.: **67,438**

[22] Filed: **Mar. 7, 1997**

[51] LOC (6) CL. **21-03**

[52] U.S. Cl. **D21/240; D21/253**

[58] Field of Search **D21/240, 253; 135/100, 101, 117, 87, 91**

4,590,956	5/1986	Griesenbeck	135/116
4,743,215	5/1988	Emmons	446/478
4,782,846	11/1988	Ting	135/120
4,823,824	4/1989	Smith	135/120
4,844,108	7/1989	Rohrer	135/91
4,938,523	7/1990	Camp	296/159
5,002,082	3/1991	Roder	135/88
5,005,322	4/1991	Mattick et al.	52/2
5,035,253	7/1991	Bortles	135/89
5,107,881	4/1992	Feldman et al.	135/102
5,184,360	2/1993	Gonzalez	5/2
5,218,982	6/1993	Kenji	135/90

(List continued on next page.)

[56] References Cited

U.S. PATENT DOCUMENTS

D. 260,277	8/1981	Davis	D21/253
D. 262,556	1/1982	McElhaney	D21/118
D. 298,768	11/1988	Dwosh et al.	D21/253
D. 321,383	11/1991	Monneret	D21/123
D. 330,745	11/1992	Fogle	D21/253
D. 352,328	11/1994	Boyd	D21/253
D. 363,515	10/1995	Mathiesen	D21/108
D. 365,884	1/1996	Dennis	D25/56
D. 366,511	1/1996	Coddington, Jr.	D21/253 X
D. 369,638	5/1996	Smith	D21/253
D. 371,415	7/1996	Fernandes, Sr.	D21/253
D. 373,151	8/1996	Mathiesen	D21/108
D. 377,822	2/1997	Lichia	D21/253
D. 378,118	2/1997	Lah	D21/253
2,818,875	1/1958	Denn	135/100 X
2,967,534	1/1961	Silye	135/100 X
3,119,402	1/1964	Bleick	D21/253 X
3,545,461	12/1970	Carlson	135/100 X
3,875,952	4/1975	Black	135/100 X
4,037,844	7/1977	LaMonica et al.	273/136
4,068,674	1/1978	Mitchell	135/14
4,109,424	8/1978	Block	52/2
4,113,301	9/1978	Olmstead	296/23
4,114,633	9/1978	Herbez	135/1
4,207,888	6/1980	Ghormley	128/203
4,237,914	12/1980	Gantz	135/4
4,251,959	2/1981	Hsu	52/2
4,265,261	5/1981	Barker	135/3
4,310,195	1/1982	Huff	296/173
4,408,260	10/1983	Miedel	362/32
4,542,067	9/1985	Yamamoto et al.	428/237

Primary Examiner—Ted Shooman
Assistant Examiner—Mitchell I. Siegel
Attorney, Agent, or Firm—Jacox, Meckstroth & Jenkins

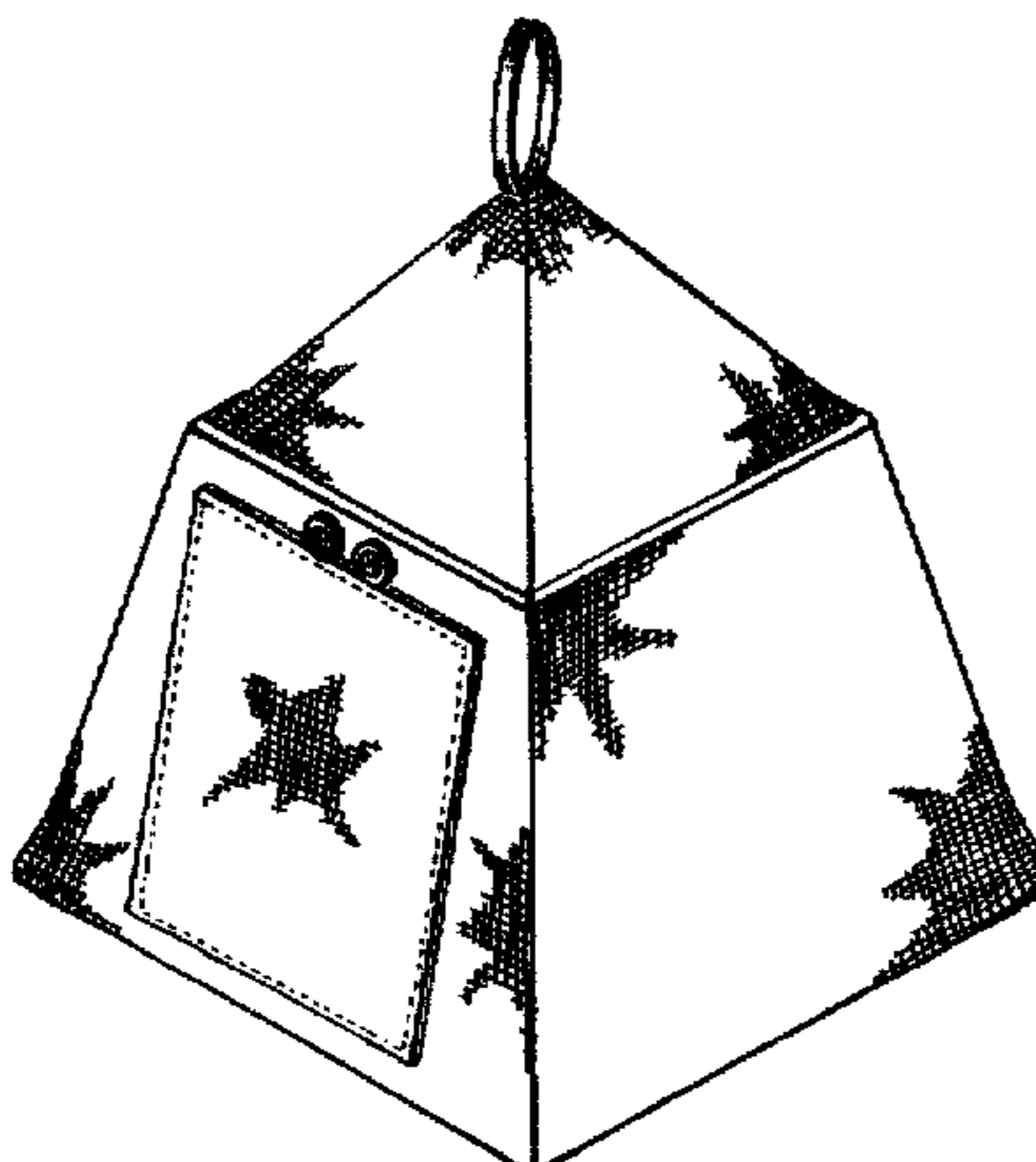
[57] CLAIM

The ornamental design for a toy playhouse, as shown and described.

DESCRIPTION

FIG. 1 is a perspective view of my toy playhouse showing a front side, right side, and top of the toy playhouse;
 FIG. 2 is a perspective view showing a rear side, left side, and top of the toy playhouse shown in FIG. 1;
 FIG. 3 is a right side view of the toy playhouse shown in FIG. 1 with the left side being a mirror image thereof;
 FIG. 4 is a front view of the toy playhouse shown in FIG. 1;
 FIG. 5 is a rear view of the toy playhouse shown in FIG. 1;
 FIG. 6 is a top view of the toy playhouse shown in FIG. 1;
 FIG. 7 is a bottom view of the toy playhouse shown in FIG. 1;
 FIG. 8 is another perspective view showing a front side, right side, and top side of the toy playhouse with an open door; and,
 FIG. 9 is another perspective view showing a rear side, left side, and top view of the toy playhouse showing a shade in an open position.
 The broken lines disclosed on the drawing are representative of stitching.

1 Claim, 3 Drawing Sheets



U.S. PATENT DOCUMENTS			
5,226,440	7/1993	Fuhrman	135/106
5,226,689	7/1993	Roe et al.	296/159
5,234,011	8/1993	Lynch	135/99
5,255,698	10/1993	Riley	135/103
5,273,142	12/1993	Weber	190/107
5,313,972	5/1994	Goldberg	135/88
5,345,961	9/1994	Yercha et al.	435/87
5,353,826	10/1994	Davis, Sr.	135/88
5,558,392	9/1996	Young	296/157
5,564,960	10/1996	Underhill, Jr.	446/8
5,567,003	10/1996	Gill	296/173

FIG-1

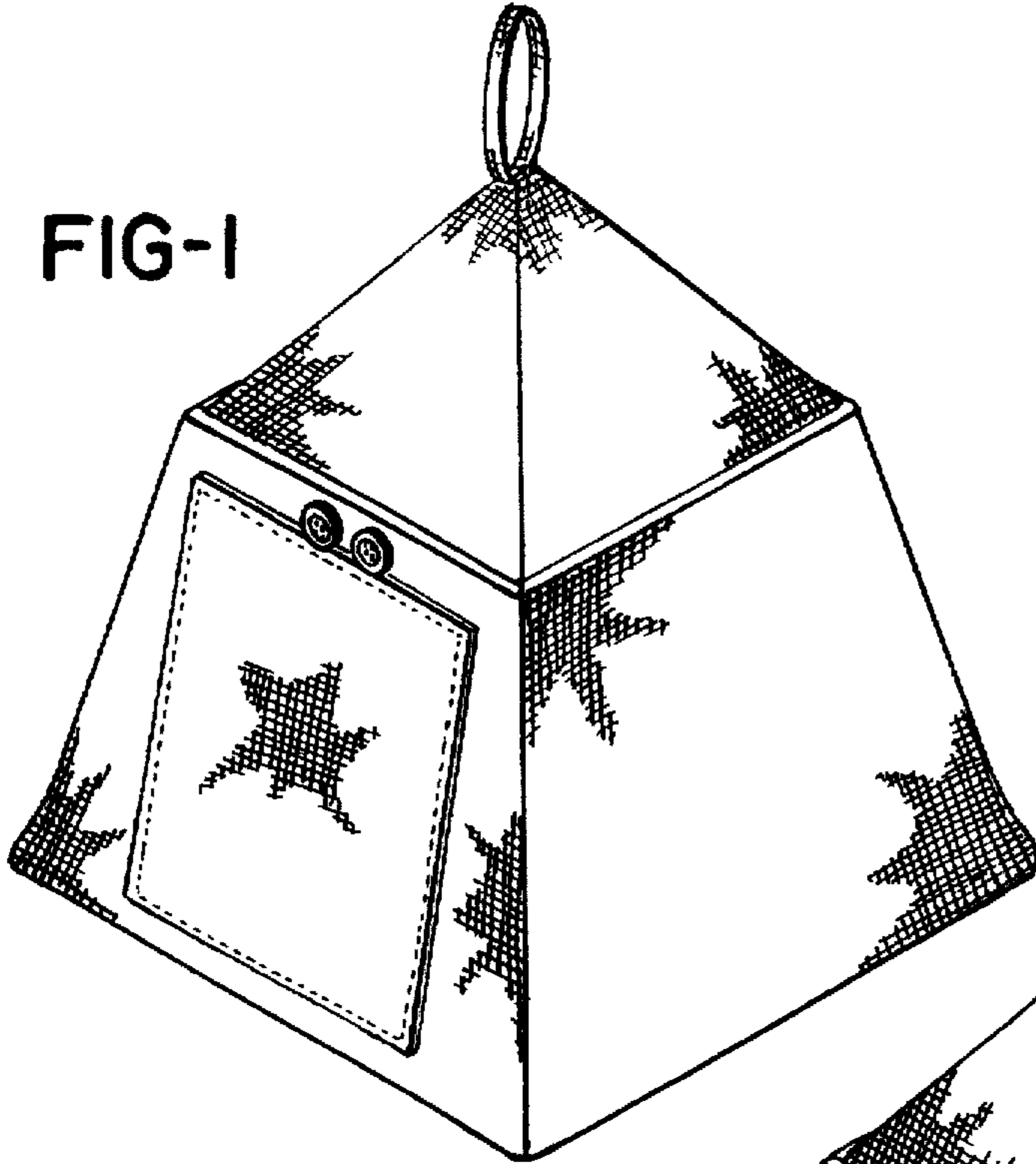


FIG-2

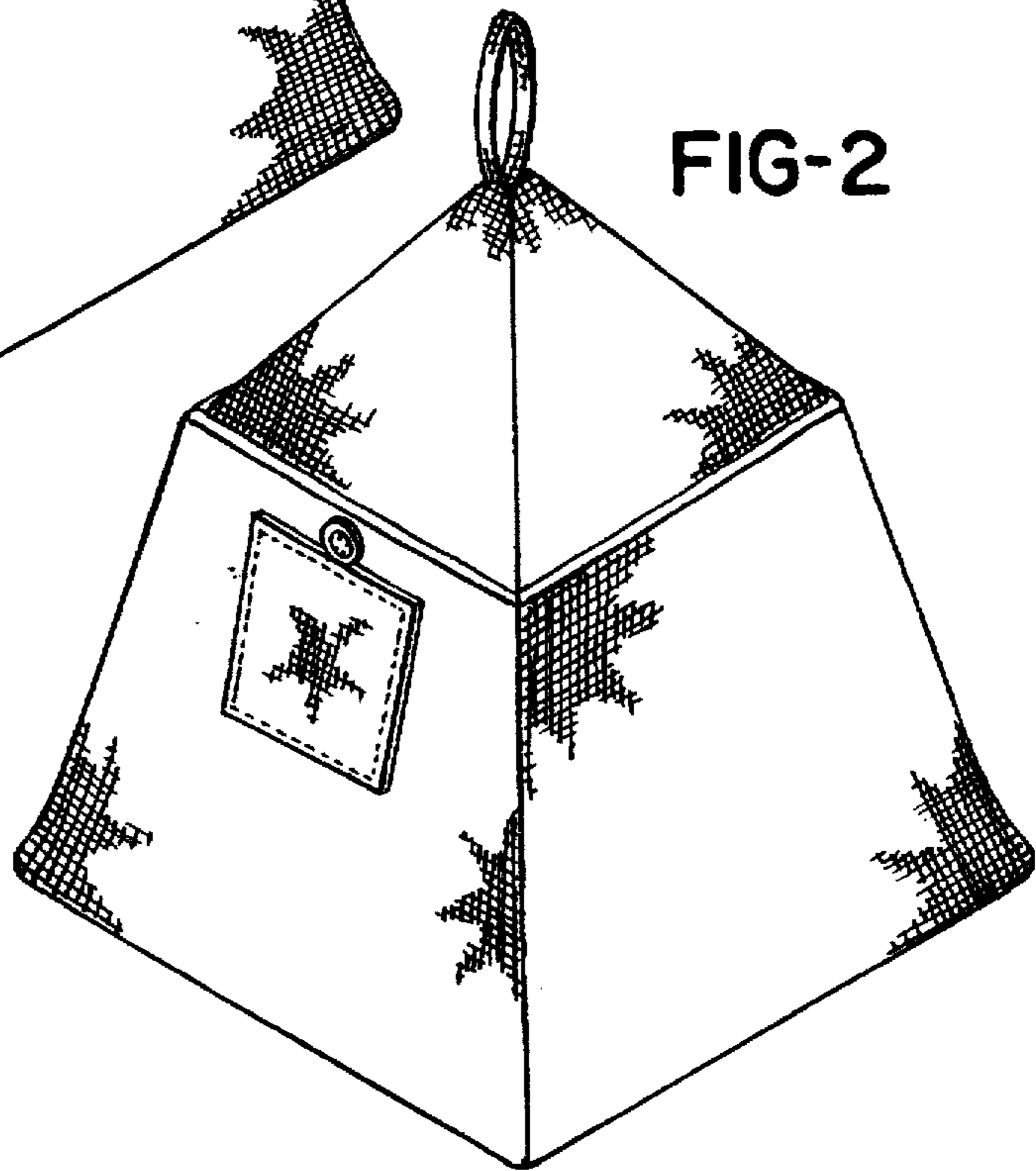


FIG-3

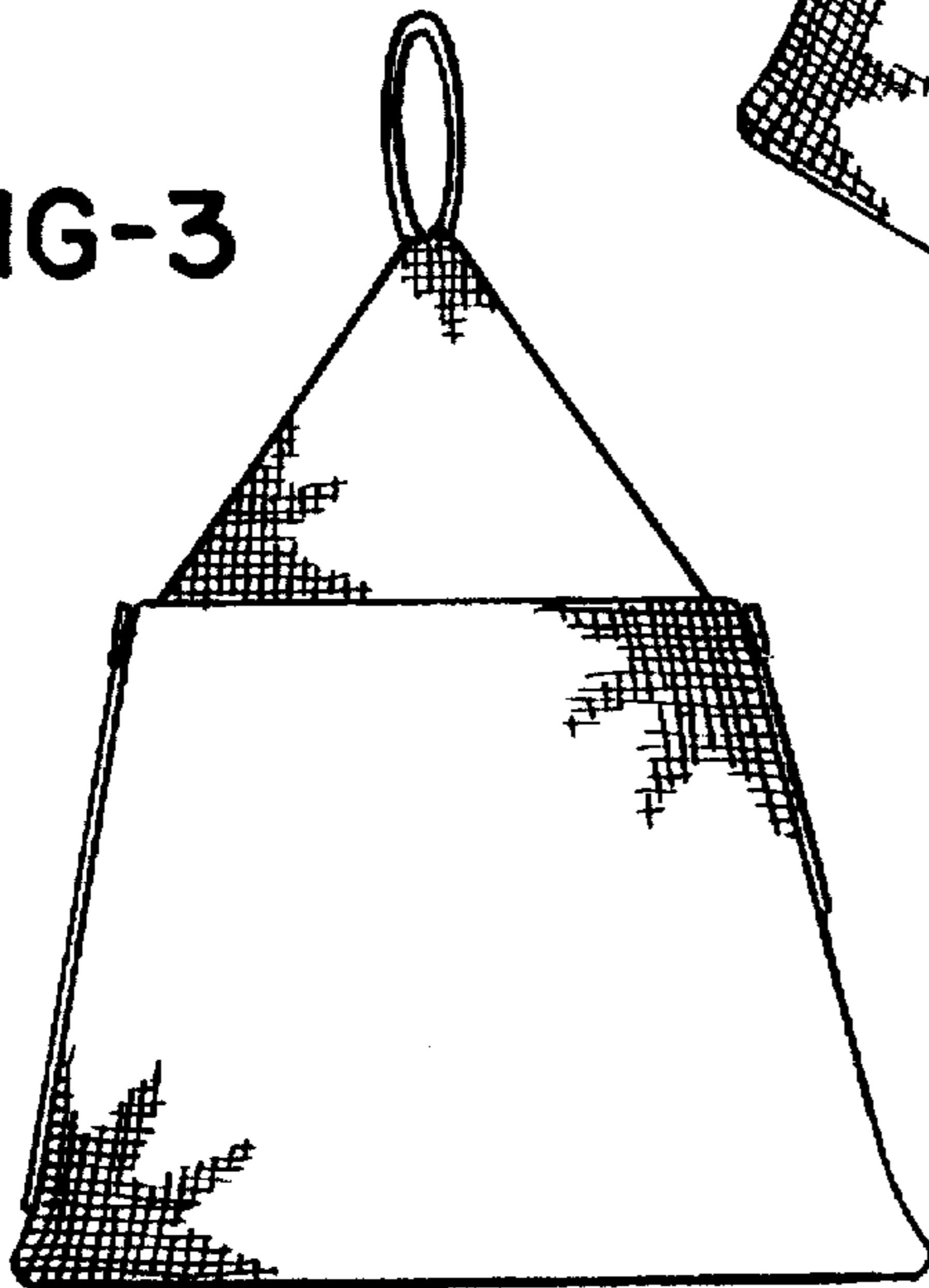


FIG-4

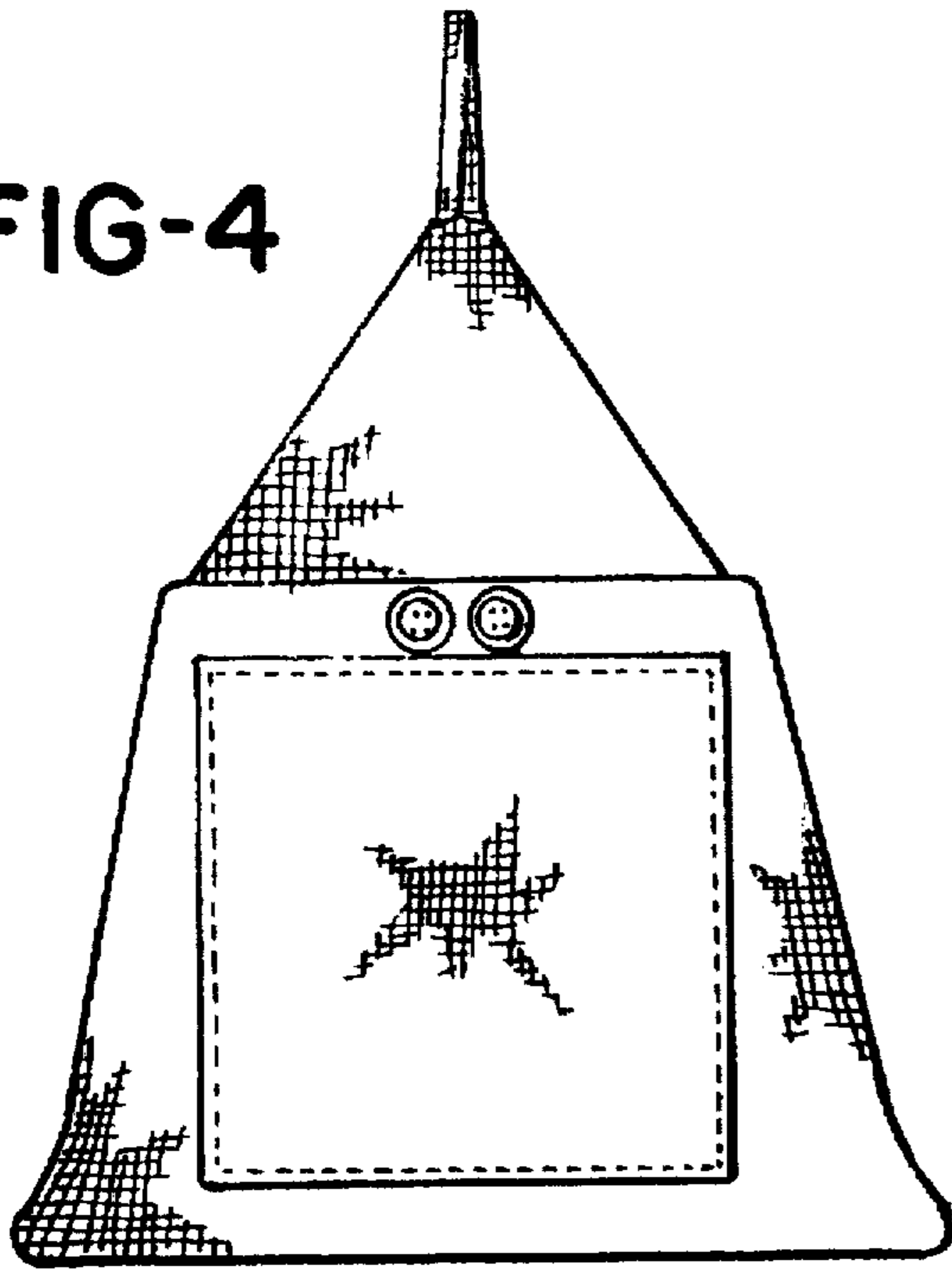


FIG-5

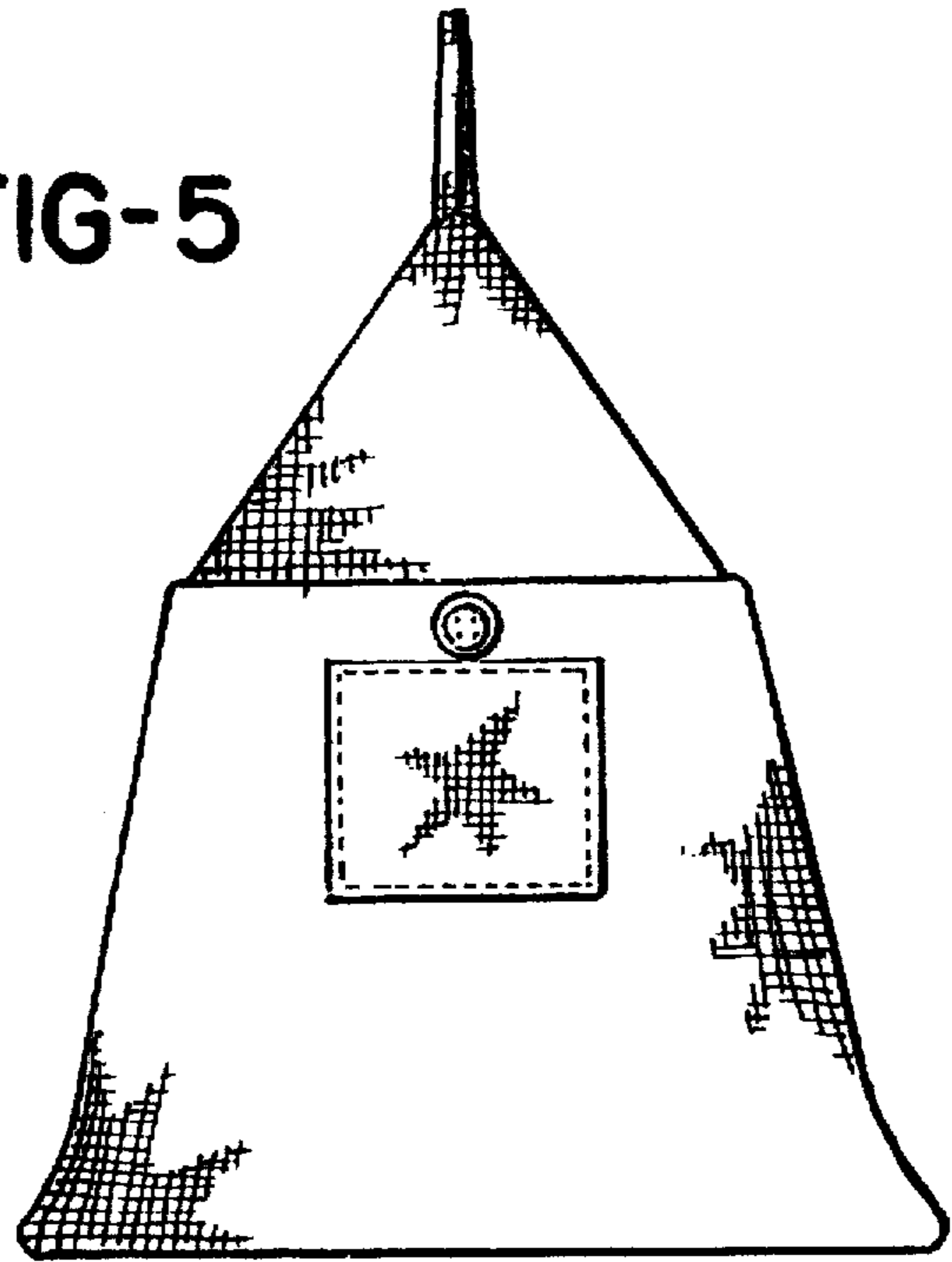


FIG-6

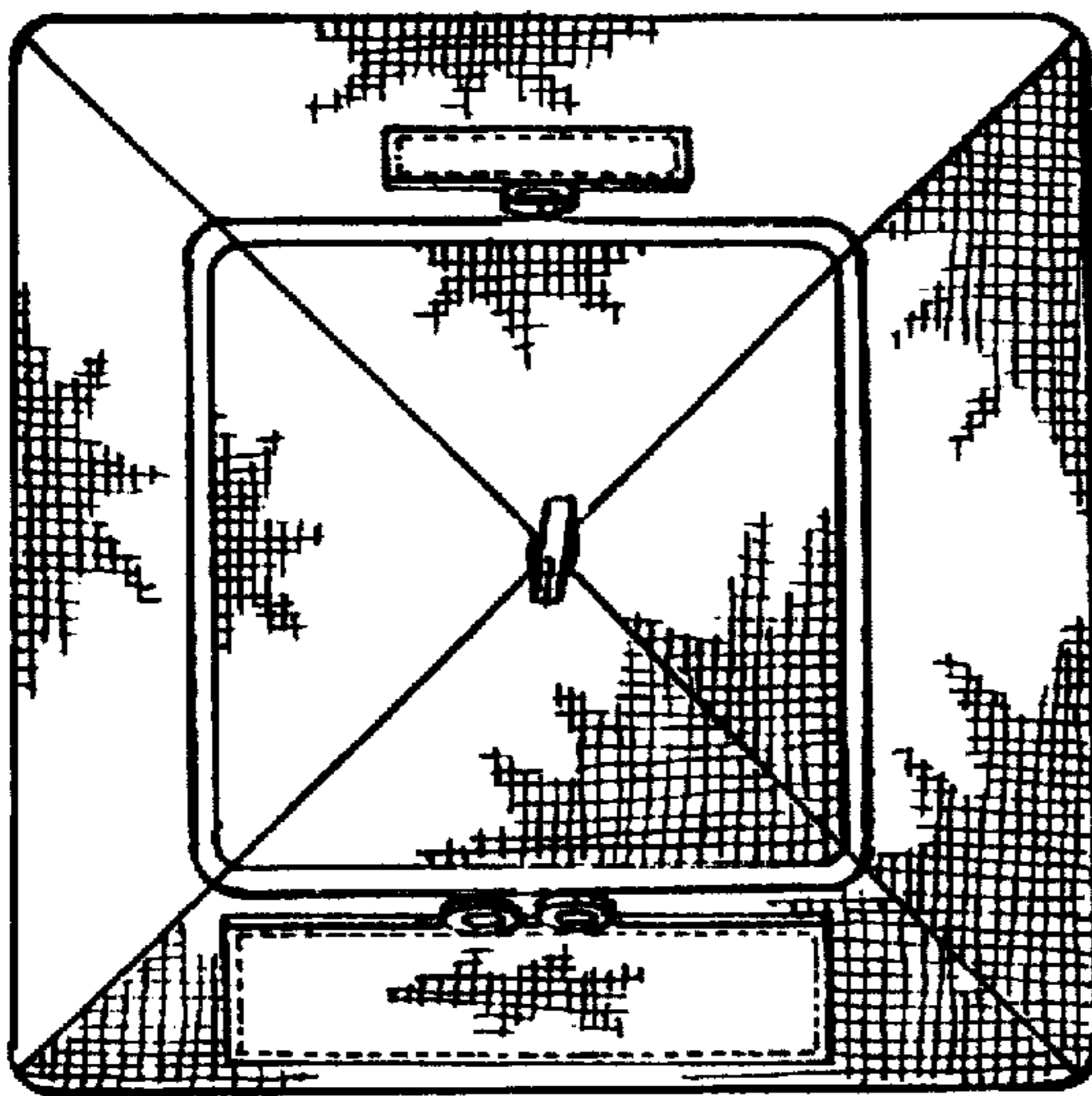


FIG-7

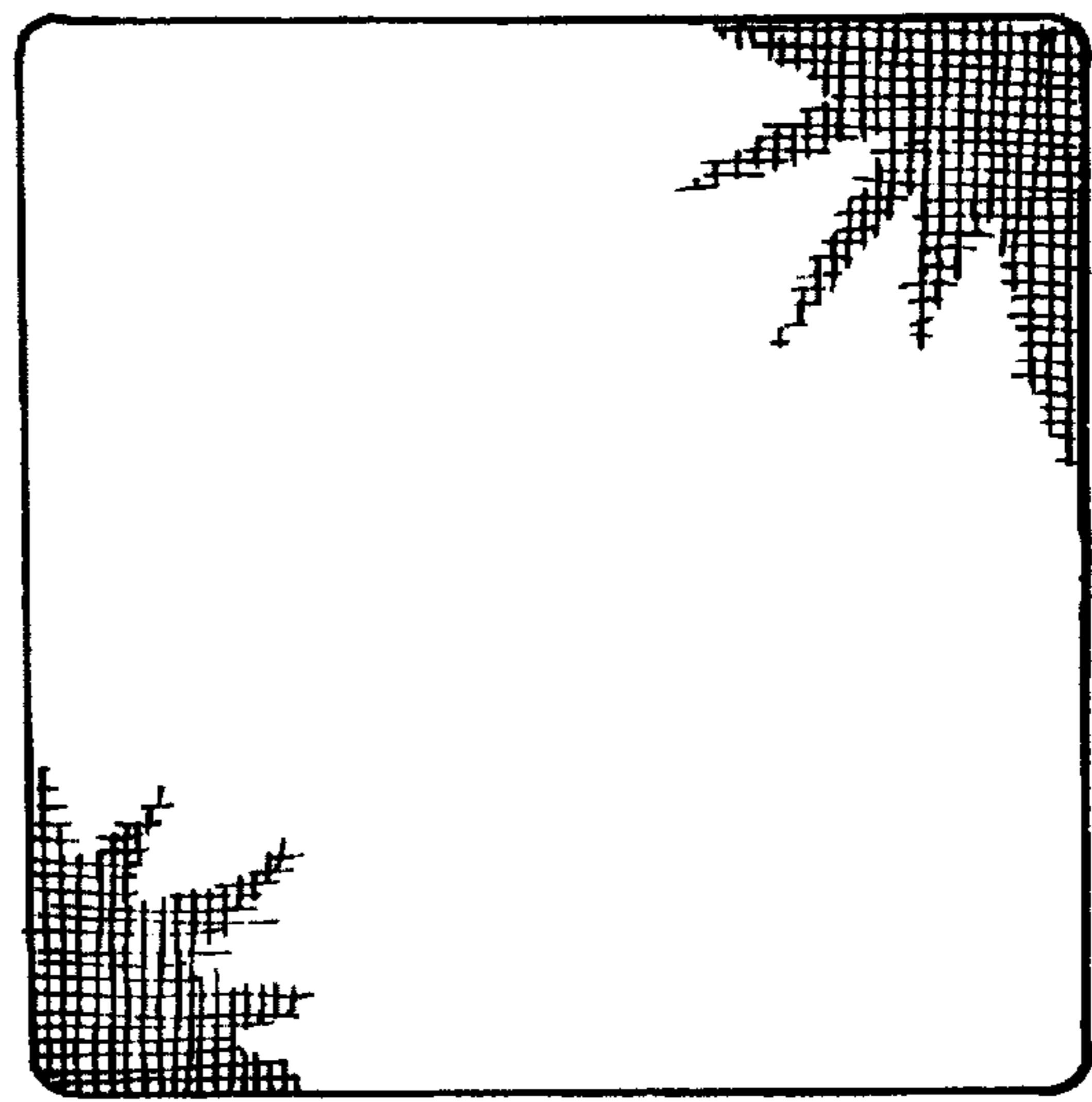


FIG-8

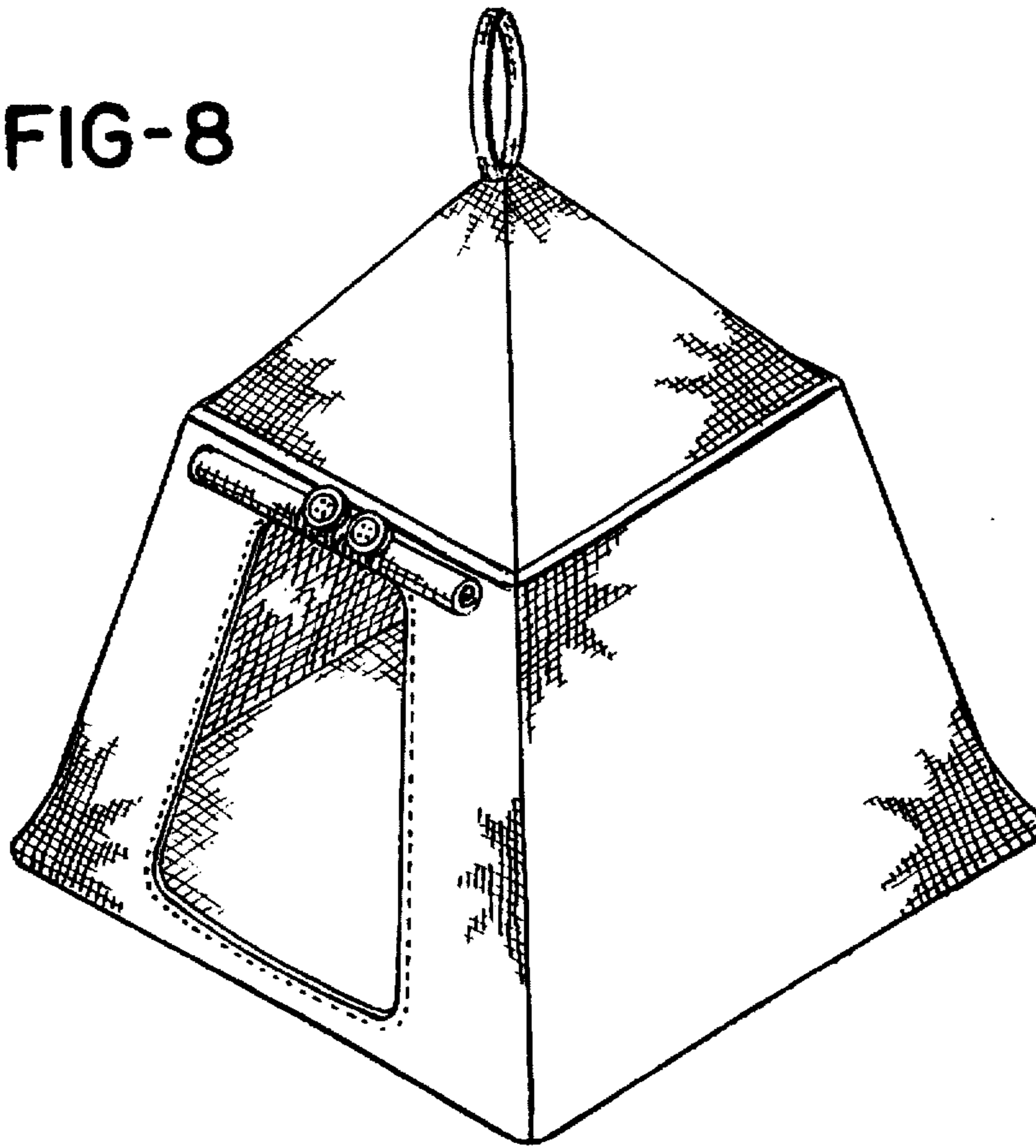


FIG-9

