



US00D397754S

**United States Patent** [19]  
**Nguyen**

[11] **Patent Number:** **Des. 397,754**  
[45] **Date of Patent:** **\*\*Sep. 1, 1998**

[54] **GOLF TEACHING AID**

[75] **Inventor:** **John H. Nguyen**, 5708 Downybrook Rd., Myrtle Beach, S.C. 29575

[73] **Assignee:** **John H. Nguyen**, Myrtle Beach, S.C.

[\*\*] **Term:** **14 Years**

[21] **Appl. No.:** **61,889**

[22] **Filed:** **Nov. 1, 1996**

[51] **LOC (6) Cl.** ..... **21-02**

[52] **U.S. Cl.** ..... **D21/234**

[58] **Field of Search** ..... **D21/234; 473/218,**  
**473/270-273**

[56] **References Cited**

**U.S. PATENT DOCUMENTS**

- D. 357,298 4/1995 Vines ..... D21/234
- D. 372,288 7/1996 Deics ..... D21/234

**OTHER PUBLICATIONS**

The Golf Store form Golfsmith; p. 25; Alignment track, lower right corner of page, May 1993.

*Primary Examiner*—Ted Shooman  
*Assistant Examiner*—Mitchell I. Siegel

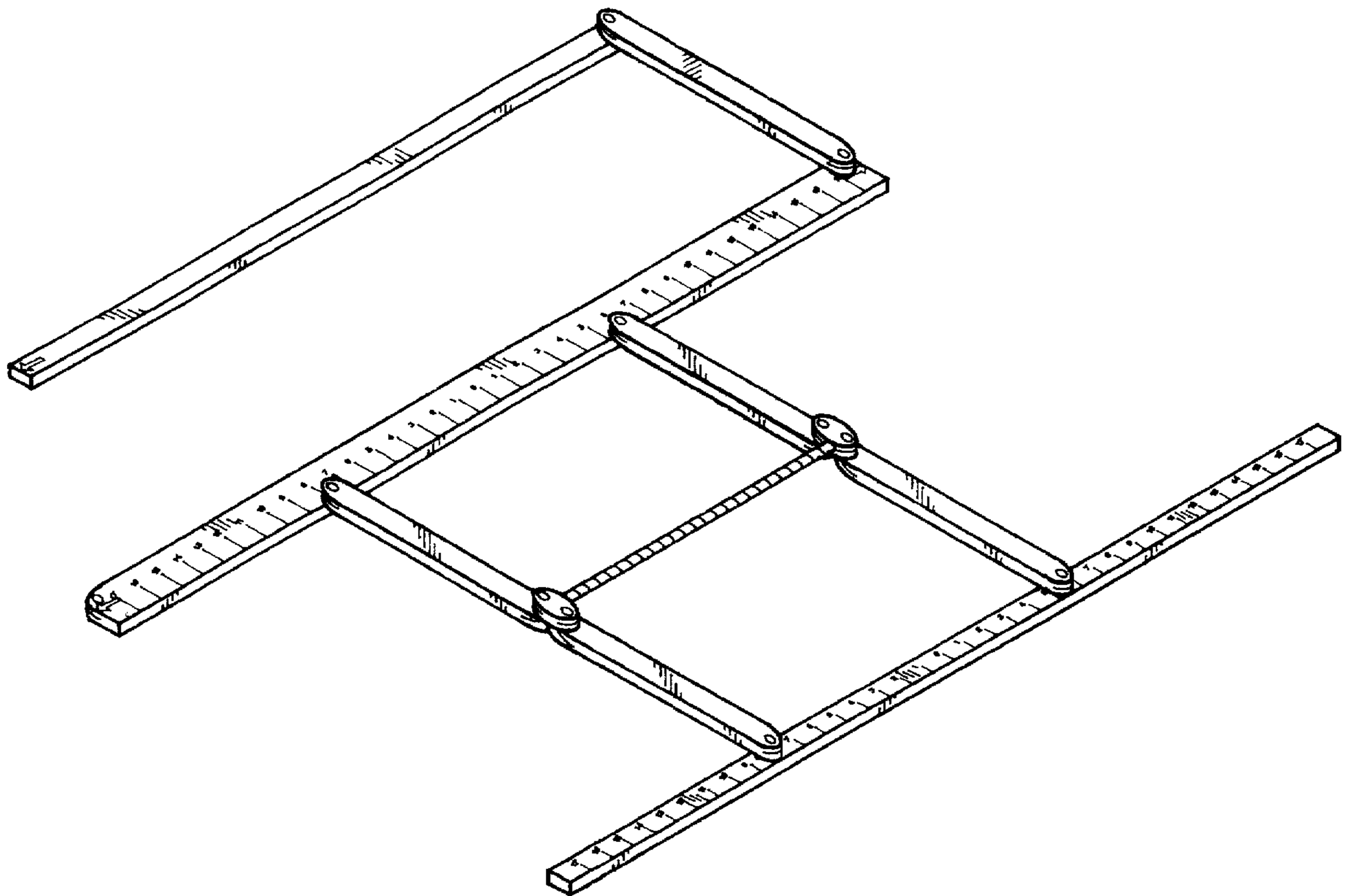
[57] **CLAIM**

The ornamental design for a golf teaching aid, as shown and described.

**DESCRIPTION**

FIG. 1 is a perspective view of a golf teaching aid showing my new design;  
 FIG. 2 is a reduced top plan view thereof;  
 FIG. 3 is a rear side elevational view thereof;  
 FIG. 4 is a right side elevational view thereof;  
 FIG. 5 is a front side elevational view thereof;  
 FIG. 6 is a left side elevational view thereof;  
 FIG. 7 is a top plan view thereof, shown in an alternate position;  
 FIG. 8 is a top plan view of FIG. 1, shown for a left handed golfer;  
 FIG. 9 is a top plan view of FIG. 1, shown in a closed position;  
 FIG. 10 is a rear side elevational view of FIG. 9;  
 FIG. 11 is a right side elevational view of FIG. 9;  
 FIG. 12 is a front side elevational view of FIG. 9; and,  
 FIG. 13 is a left side elevational view of FIG. 9.  
 The broken line showing of foot placement and a golf ball is for illustrative purposes only and forms no part of the claimed design.

**1 Claim, 5 Drawing Sheets**



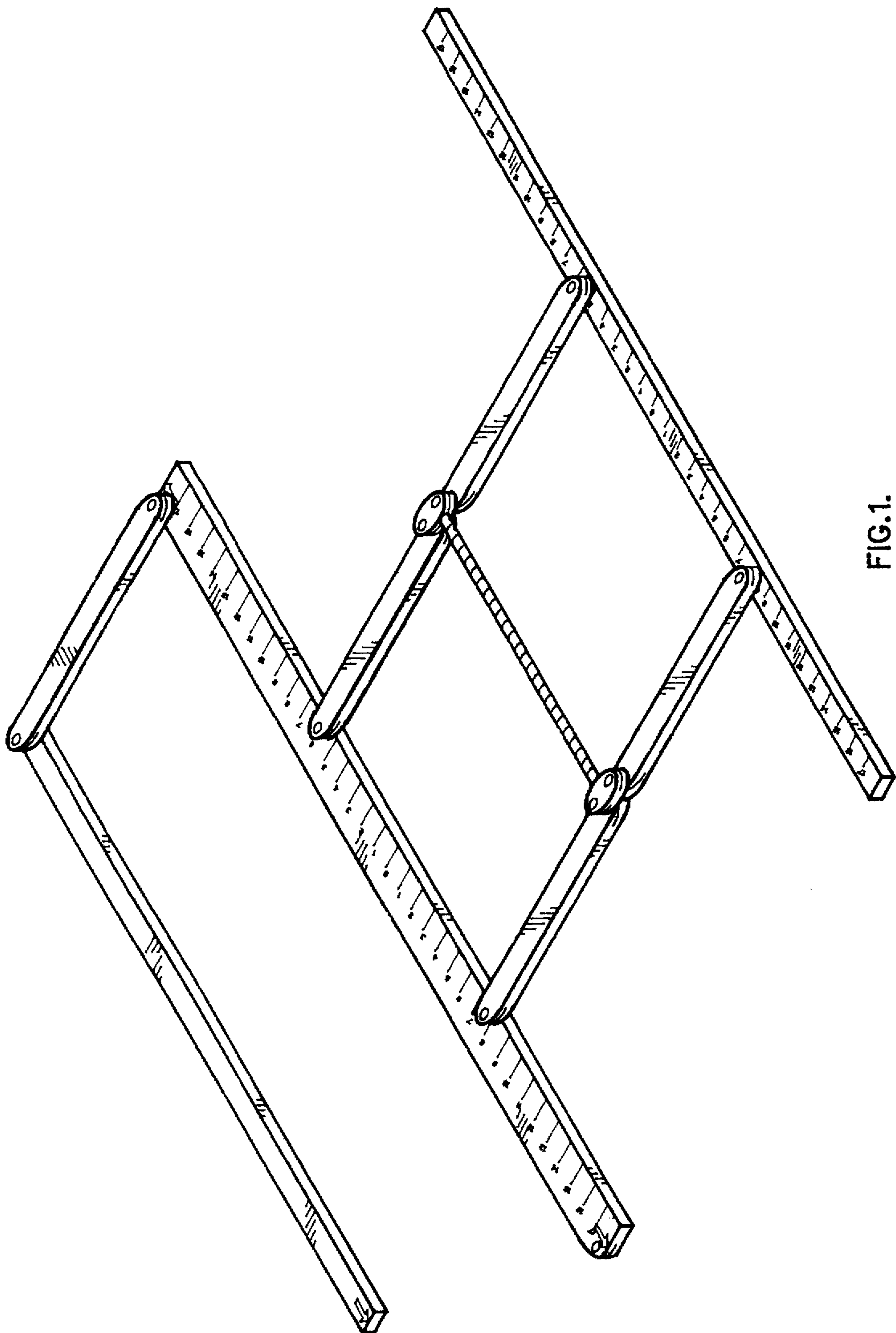


FIG. 1.

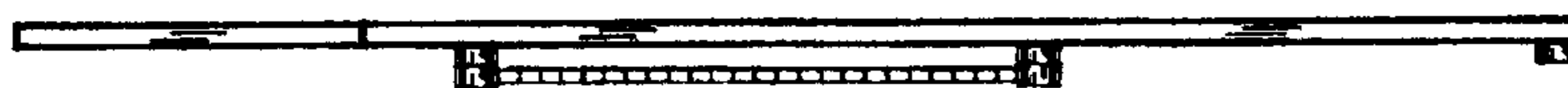


FIG. 3.



FIG. 6.

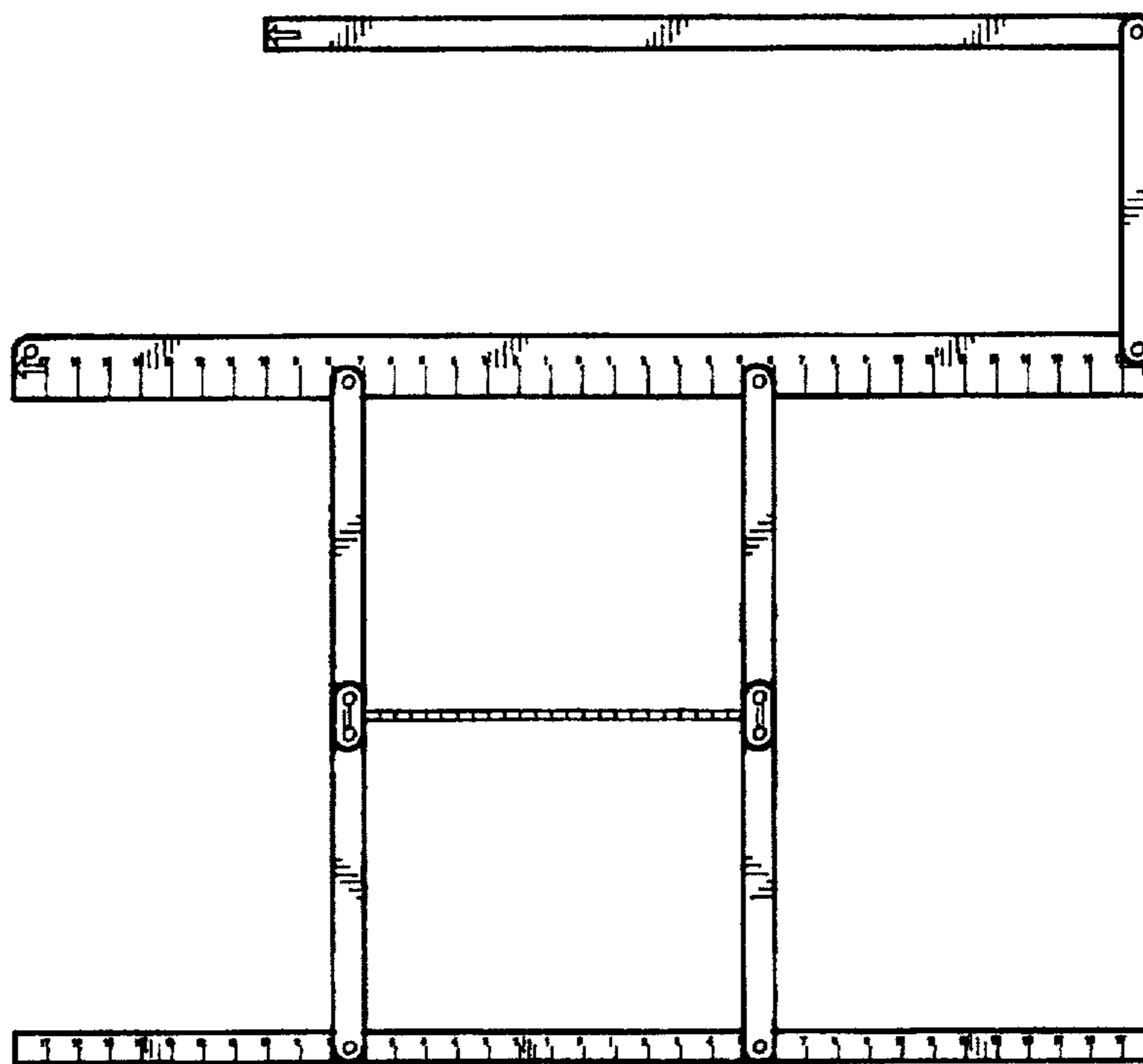


FIG. 2.



FIG. 4.



FIG. 5.

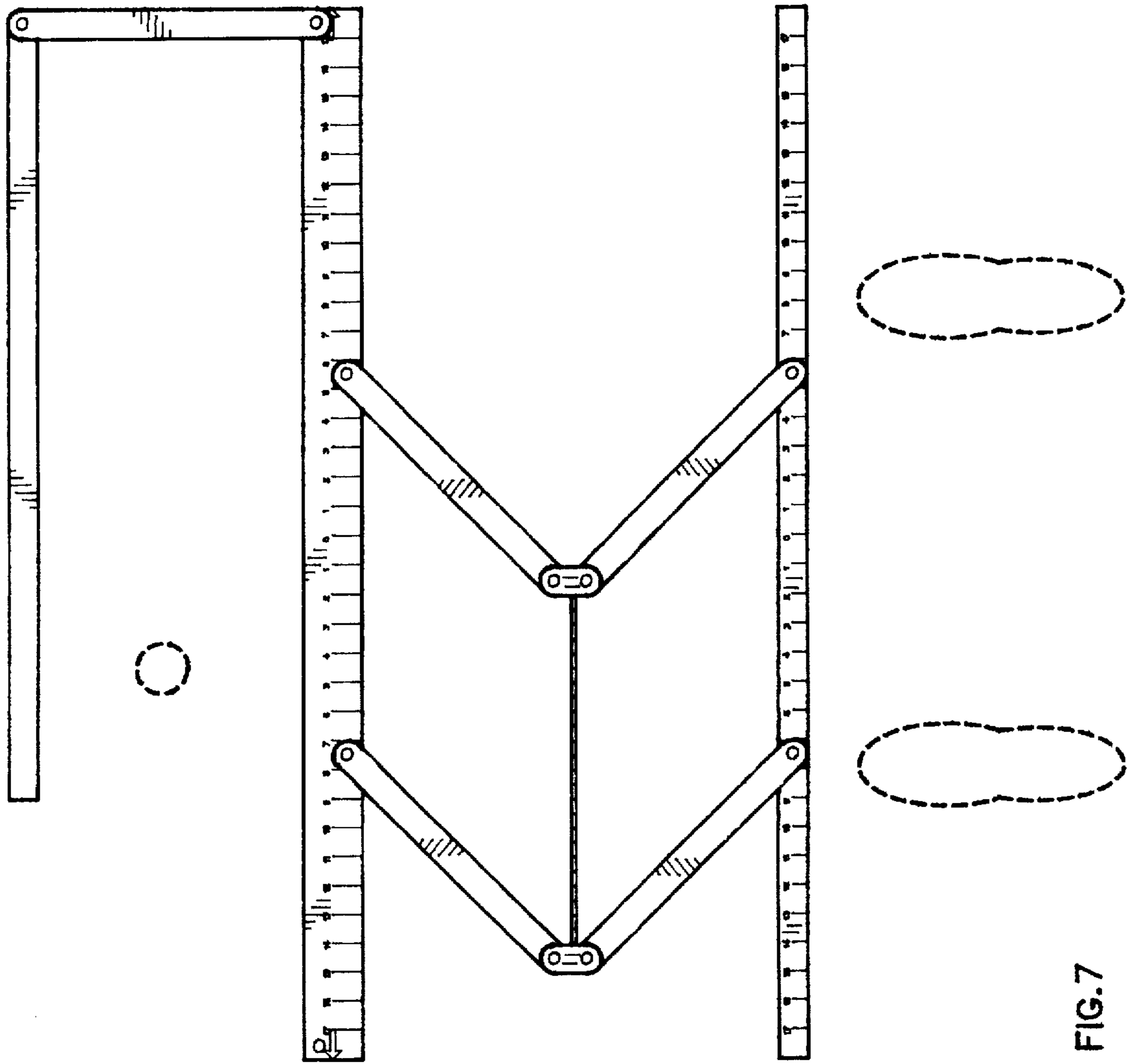


FIG.7

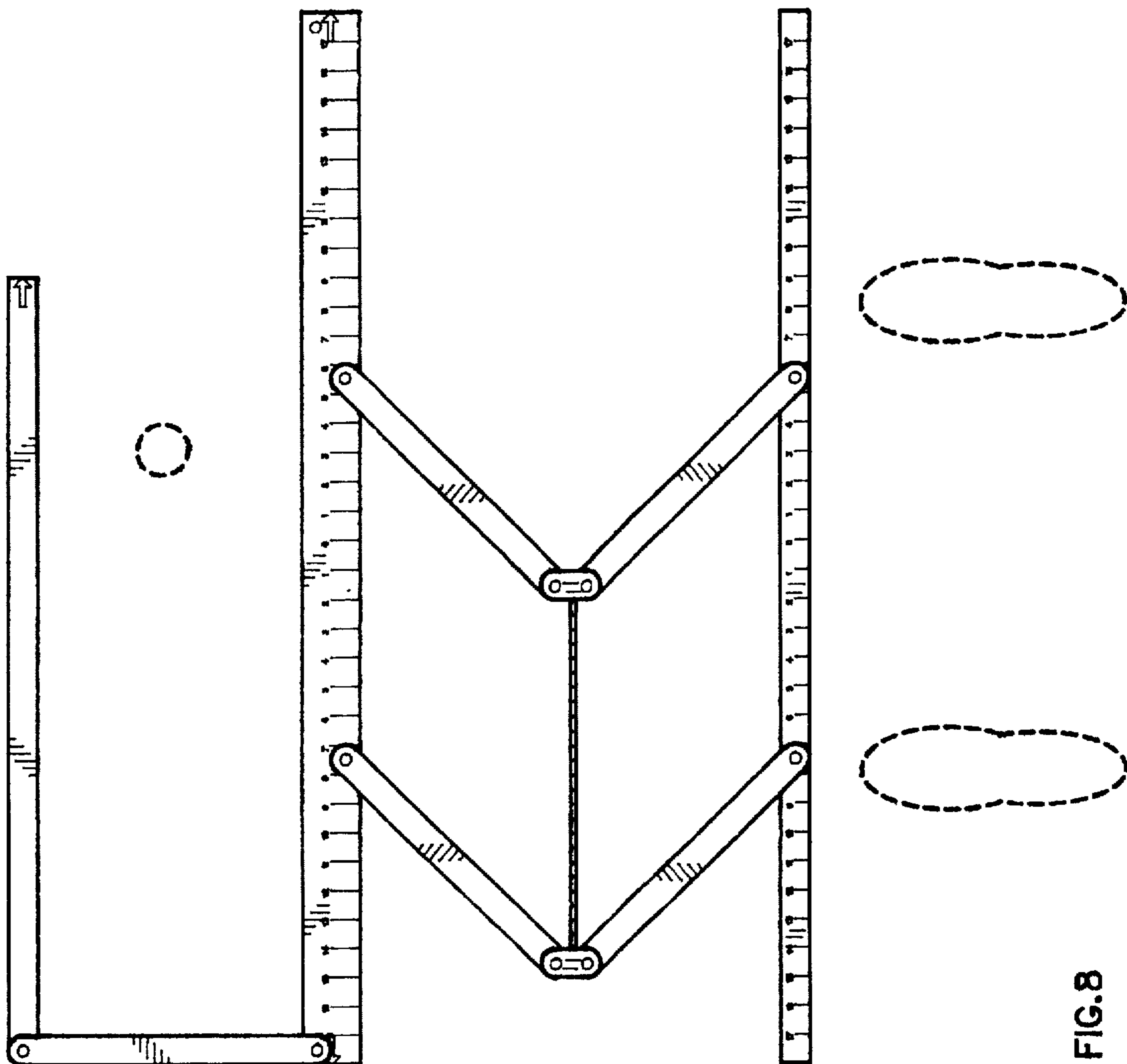


FIG. 8



FIG. 10.



FIG. 11.

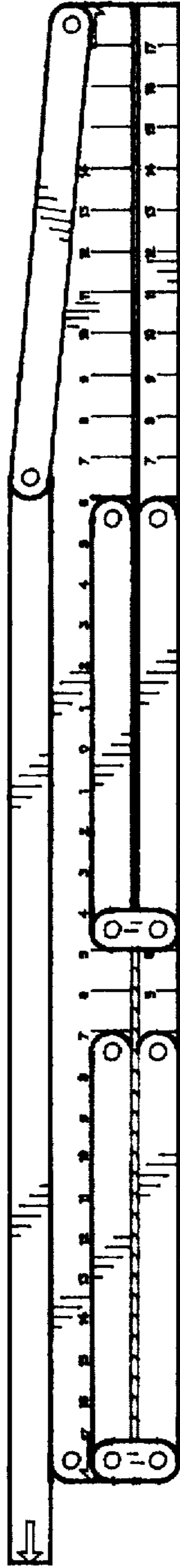


FIG. 9.



FIG. 13.



FIG. 12.