



US00D397752S

**United States Patent** [19]  
**Cameron**

[11] **Patent Number: Des. 397,752**  
[45] **Date of Patent: \*\*\*Sep. 1, 1998**

[54] **PORTION OF A STRIKE FACE FOR A GOLF CLUB HEAD**

[75] **Inventor: Don T. Cameron, Carlsbad, Calif.**

[73] **Assignee: Acushnet Company, Fairhaven, Mass.**

[\*] **Notice:** The portion of the term of this patent subsequent to Nov. 4, 2011, has been disclaimed.

[\*\*] **Term: 14 Years**

[21] **Appl. No.: 59,310**

[22] **Filed: Sep. 6, 1996**

[51] **LOC (6) Cl. .... 21-02**

[52] **U.S. Cl. .... D21/221; D21/220**

[58] **Field of Search .... D21/217-219, D21/221; 473/340, 341, 334, 335**

[56] **References Cited**

**U.S. PATENT DOCUMENTS**

- D. 271,317 11/1983 Bredl .
- D. 351,443 10/1994 Caugh et al. .
- D. 368,126 3/1996 Magerman et al. .... D21/219
- D. 373,161 8/1996 Schmidt et al. .
- 572,436 12/1896 Mills .
- 873,423 12/1907 Govan .
- 922,444 5/1909 Youds .
- 2,429,351 10/1947 Fetterolf .
- 3,134,596 5/1964 Boznos .
- 3,218,072 11/1965 Burr .
- 3,695,618 10/1972 Woolley et al. .
- 3,975,023 8/1976 Inamori .
- 3,989,248 11/1976 Campan .
- 4,156,526 5/1979 Huggins et al. .
- 4,199,144 4/1980 Skelly .
- 4,422,638 12/1983 Tucker .
- 4,679,792 7/1987 Straza et al. .
- 4,681,322 7/1987 Straza et al. .
- 4,730,830 3/1988 Tilley .
- 4,792,140 12/1988 Yamaguchi et al. .
- 4,930,781 6/1990 Allen .
- 5,060,951 10/1991 Allen .
- 5,078,397 1/1992 Aizawa .
- 5,083,778 1/1992 Douglass .

- 5,301,941 4/1994 Allen .
- 5,346,213 9/1994 Yamada .
- 5,398,929 3/1995 Kitaichi .
- 5,407,202 4/1995 Igarashi .
- 5,425,535 6/1995 Gee .

**OTHER PUBLICATIONS**

Golf Digest; vol. 13, #12; p. 85; "Black magic" putter, Dec. 1962.

Ray Cook Inc. brochure; putters B8, B11, XF15S, M1N, M1 and XF15, 1965.

John Lampert's golf Ent.; putter on middle left of page. Golf Equipment Universal Catalogue, 1995, Grass Hunter golf clubs, p. 448.

*Primary Examiner*—Raphael Barkai

*Assistant Examiner*—Mitchell I. Siegel

*Attorney, Agent, or Firm*—Pennie & Edmonds, LLP

[57] **CLAIM**

The ornamental design for a portion of a strike face for a golf club head, as shown and described.

**DESCRIPTION**

FIG. 1 is a front perspective view of the first embodiment of the portion of a strike face for a golf club head of the present invention;

FIG. 2 is a front elevational view thereof;

FIG. 3 is a top elevational view thereof;

FIG. 4 is a front perspective view of a second embodiment of the portion of a strike face for a golf club head of the present invention;

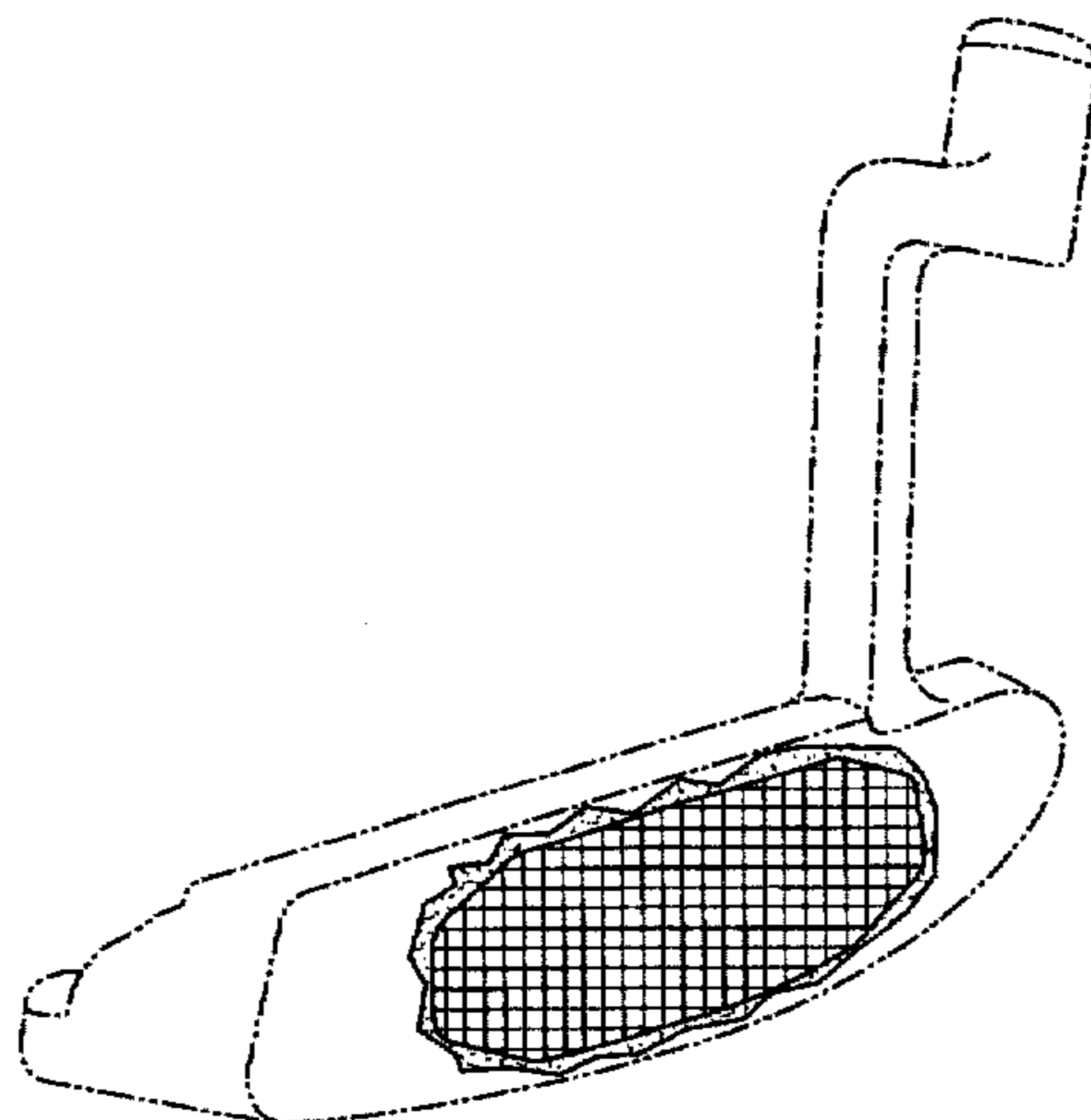
FIG. 5 is a front elevational view of the second embodiment; and,

FIG. 6 is a top elevational view of the second embodiment.

In the first embodiment shown in FIGS. 1-3, the portion of a strike face for a golf club head and the surrounding area are not shown in color. In the second embodiment shown in FIGS. 4-6, the portion of the strike face for a golf club head is copper in color, which is represented by cross hatching and the surrounding area is black in color, which is represented by stippling.

The broken line showing a golf club head is for illustrative purposes only and forms no part of the claimed design.

**1 Claim, 6 Drawing Sheets**



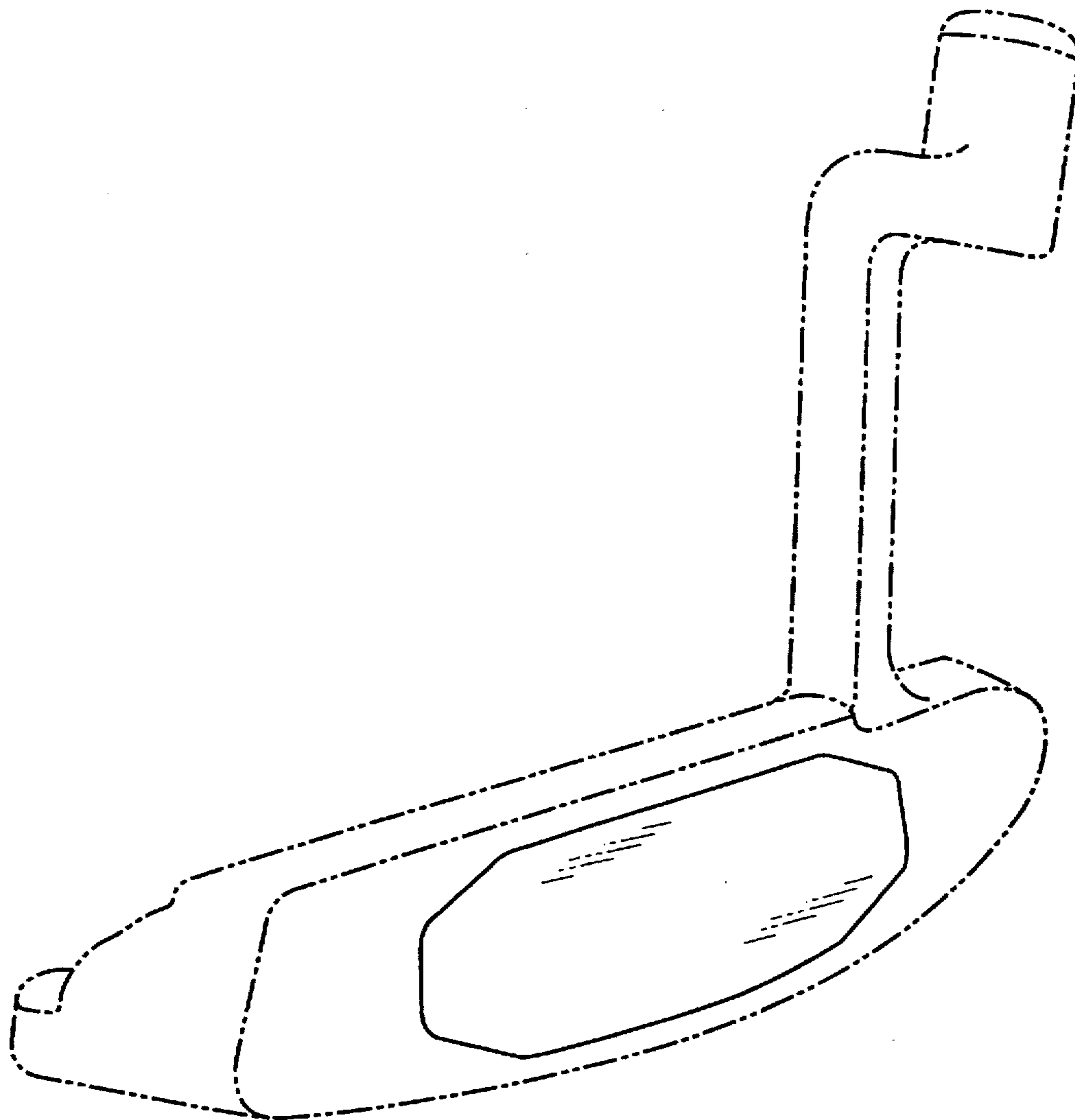


FIG. 1

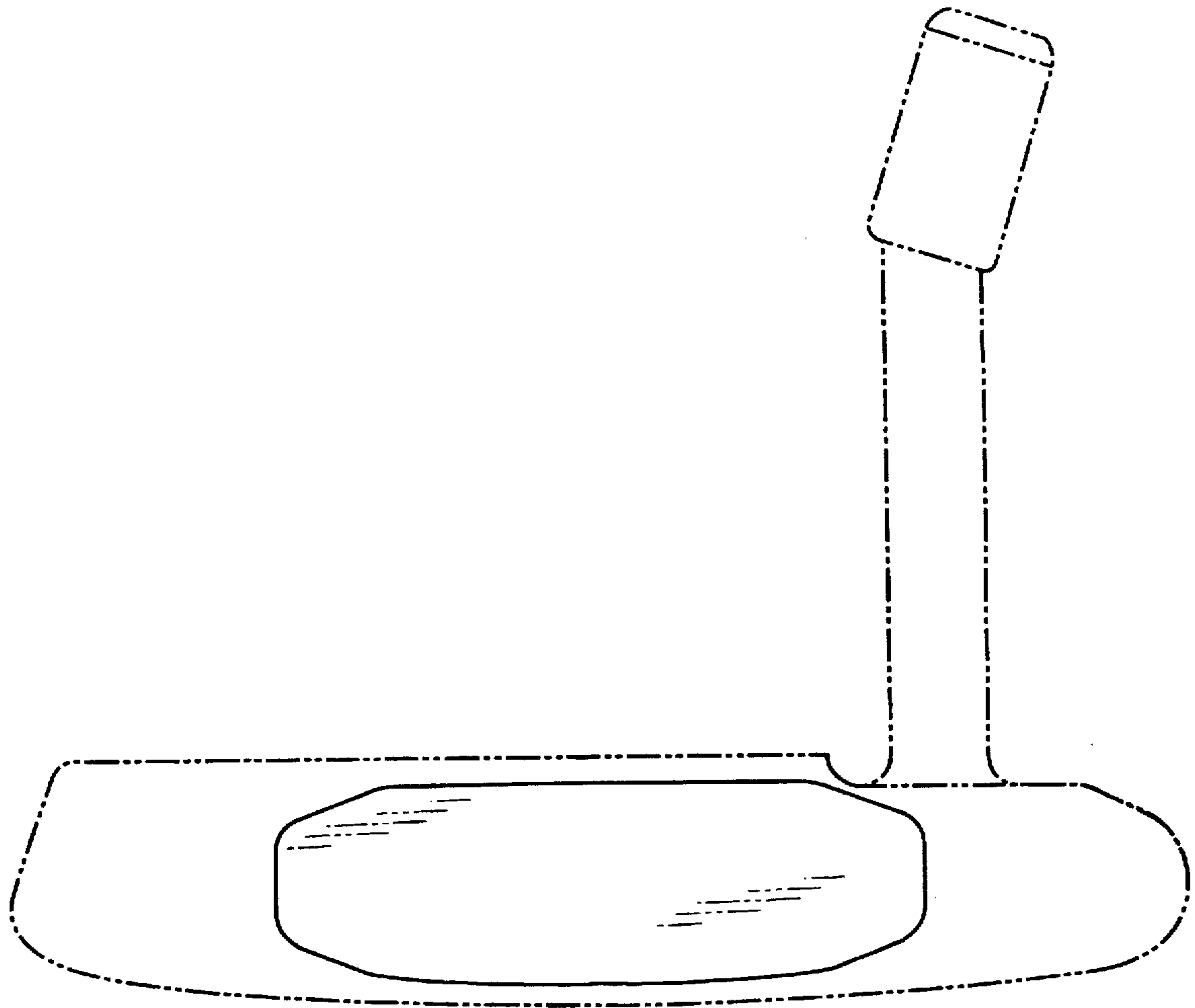


FIG. 2

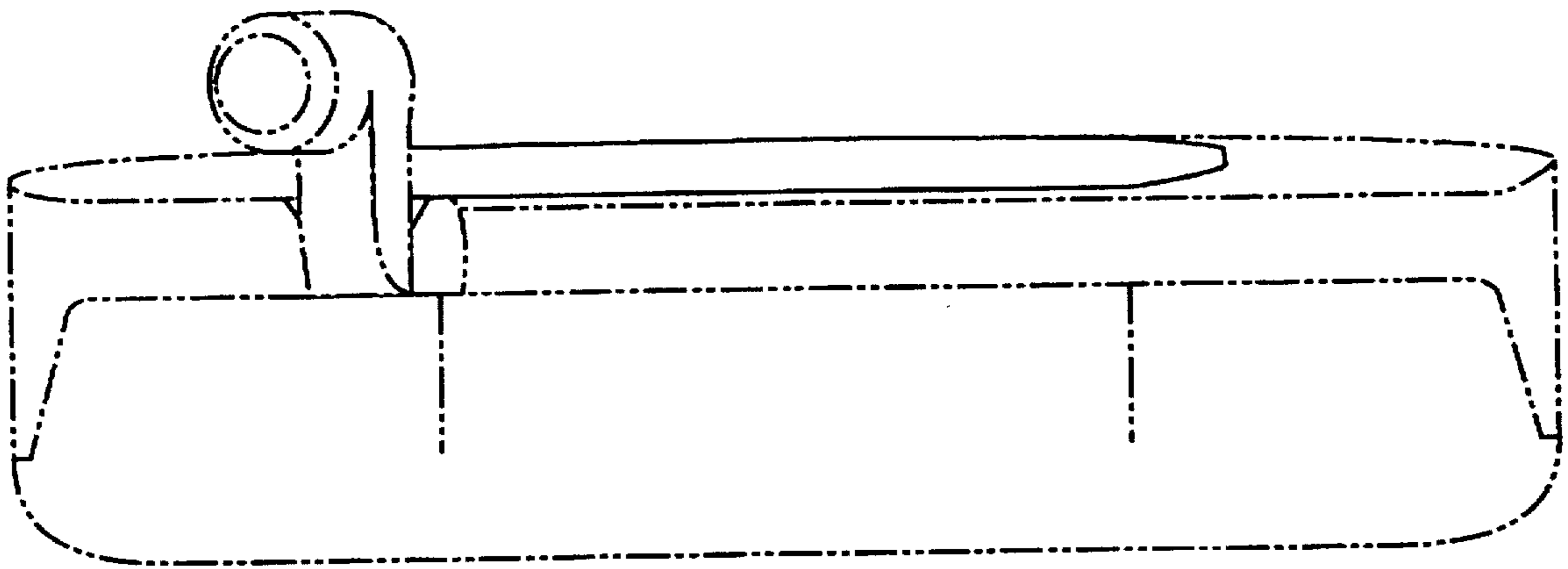


FIG. 3

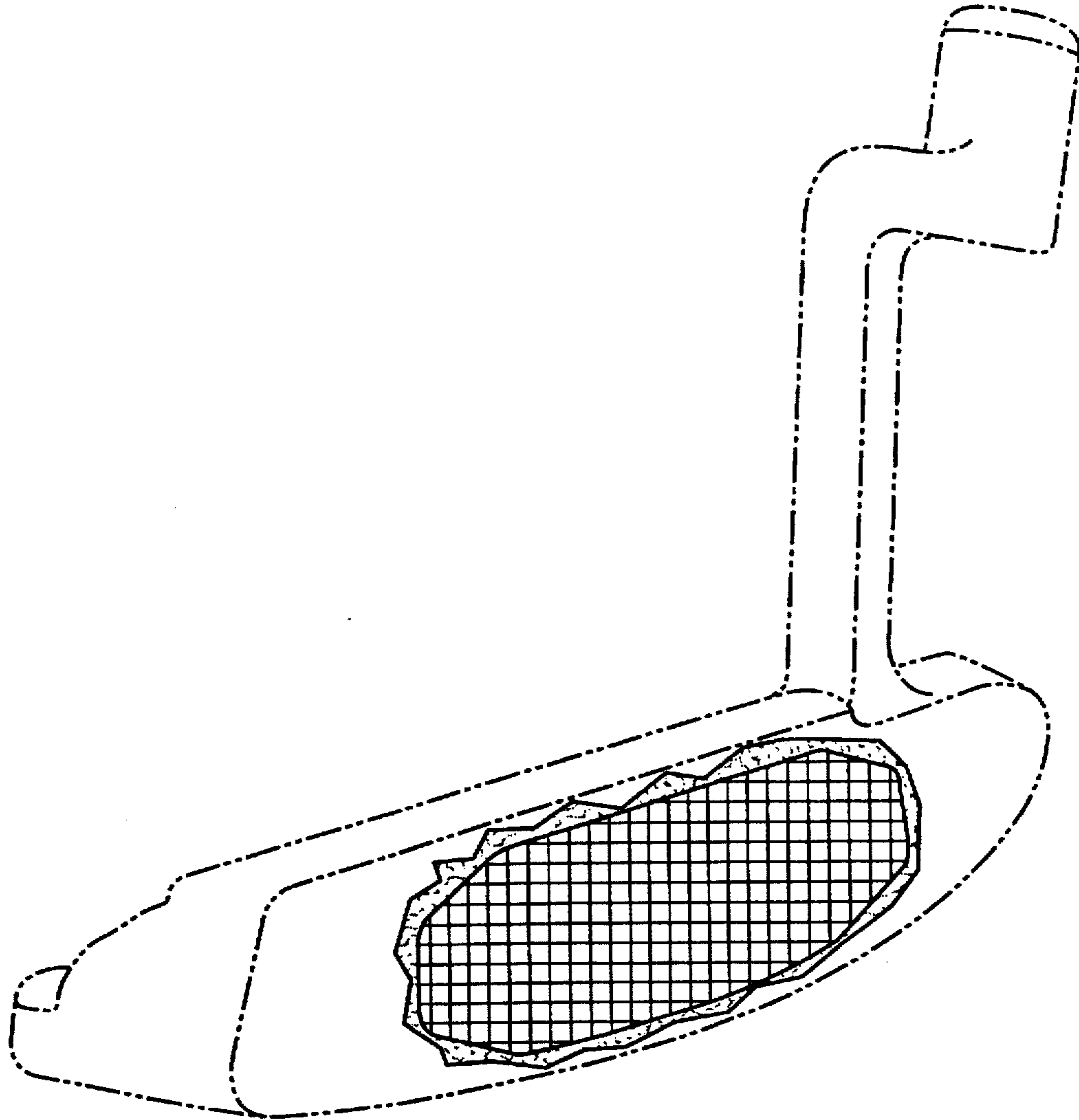


FIG. 4

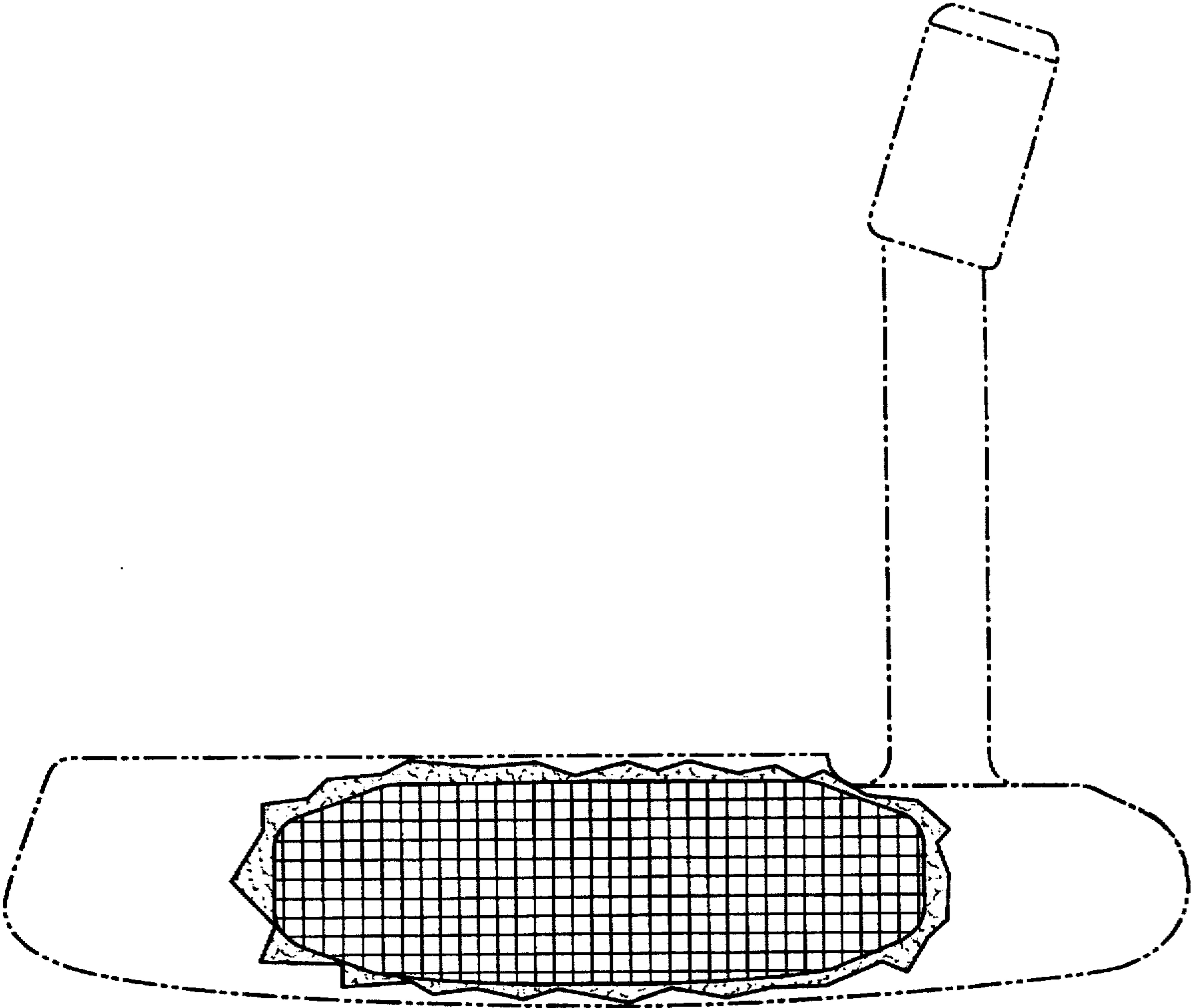


FIG. 5

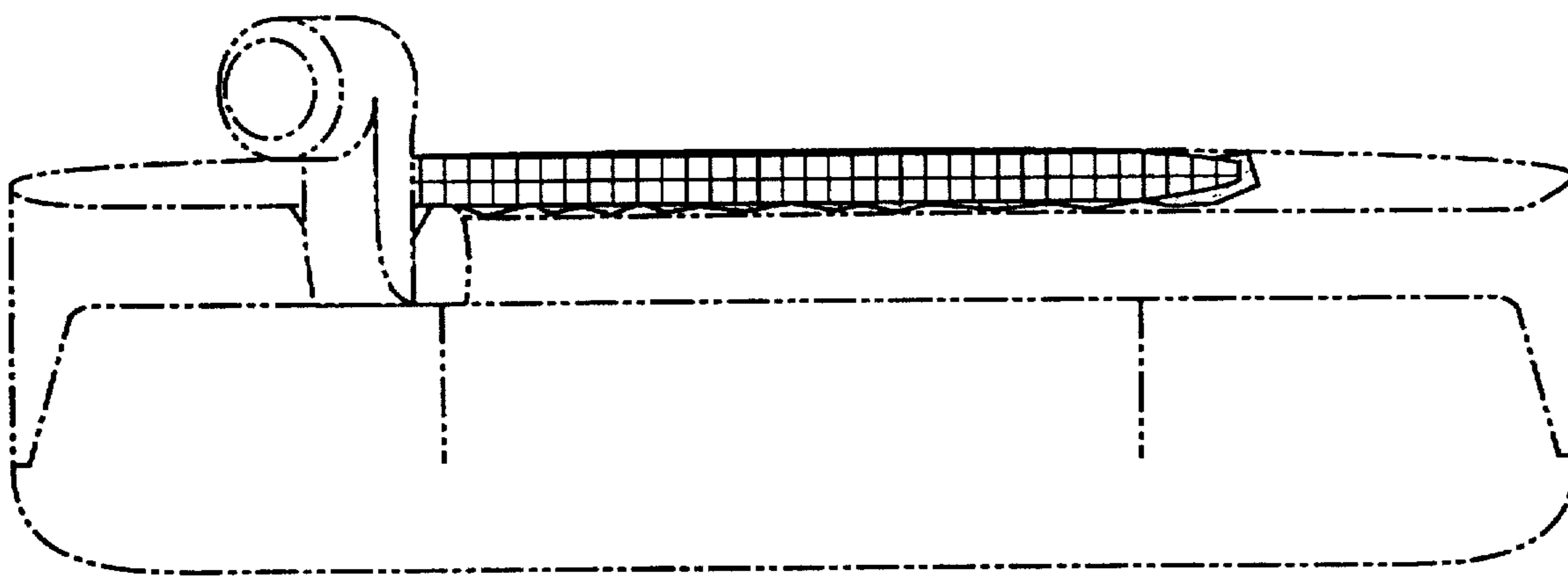


FIG. 6