



US00D397749S

# United States Patent [19]

[11] Patent Number: Des. 397,749

Burrows

[45] Date of Patent: \*\*Sep. 1, 1998

## [54] WOOD-TYPE HEAD FOR A GOLF CLUB

Attorney, Agent, or Firm—Kelly Bauersfeld Lowry & Kelley, LLP.

[76] Inventor: **Bruce D. Burrows**, 25555 W. Avenue Stanford, Valencia, Calif. 91355-1101

### [57] CLAIM

[\*\*] Term: 14 Years

The ornamental design for a wood-type head for a golf club, as shown and described.

[21] Appl. No.: 68,733

### DESCRIPTION

[22] Filed: Mar. 31, 1997

FIG. 1 is a perspective view showing the front, top and left sides of a wood-type head for a golf club embodying the new design;

[51] LOC (6) Cl. .... 21-02

FIG. 2 is a front elevational view thereof;

[52] U.S. Cl. .... D21/214

FIG. 3 is a left side elevational view thereof;

[58] Field of Search ..... D21/214, 217-219; 473/327, 328, 343, 344

FIG. 4 is a right side elevational view thereof;

FIG. 5 is a rear elevational view thereof;

FIG. 6 is a top plan view thereof;

FIG. 7 is a bottom plan view thereof;

### [56] References Cited

#### U.S. PATENT DOCUMENTS

FIG. 8 is a bottom plan view of an alternative form of my new design, the front and rear elevational views, the top plan view, and the right side elevational view being identical to the embodiment of FIGS. 1-7;

D. 231,625 5/1974 Werner ..... D21/29

D. 257,872 1/1981 MacDougall ..... D21/219

D. 257,873 1/1981 MacDougall ..... D21/219

D. 318,087 7/1991 Helmstetter ..... D21/214

D. 354,103 1/1995 Allen .

D. 356,356 3/1995 Jacobs ..... D21/219

D. 364,666 11/1995 Nagy ..... D21/219

D. 366,919 2/1996 Jacobs ..... D21/219

D. 368,752 4/1996 Patten ..... D21/219

1,541,126 6/1925 Dunn .

3,374,027 3/1968 Jacobs .

4,511,145 4/1985 Schmidt ..... 473/346

5,042,806 8/1991 Helmstetter ..... 473/311

5,611,741 3/1997 Schmidt et al. .... 473/328

FIG. 9 is a left side elevational view of the embodiment of FIG. 8;

FIG. 10 is a bottom plan view of another alternative form of my new design, the front and rear elevational views, the top plan view, and the right side elevational view being identical to the embodiments of FIGS. 1-7; and,

FIG. 11 is a left side elevational view of the embodiment of FIG. 10.

The broken line showing of a fragmented shaft is for illustrative purposes only and forms no part of the claimed design.

Primary Examiner—Raphael Barkai  
Assistant Examiner—Mitchell I. Siegel

1 Claim, 6 Drawing Sheets

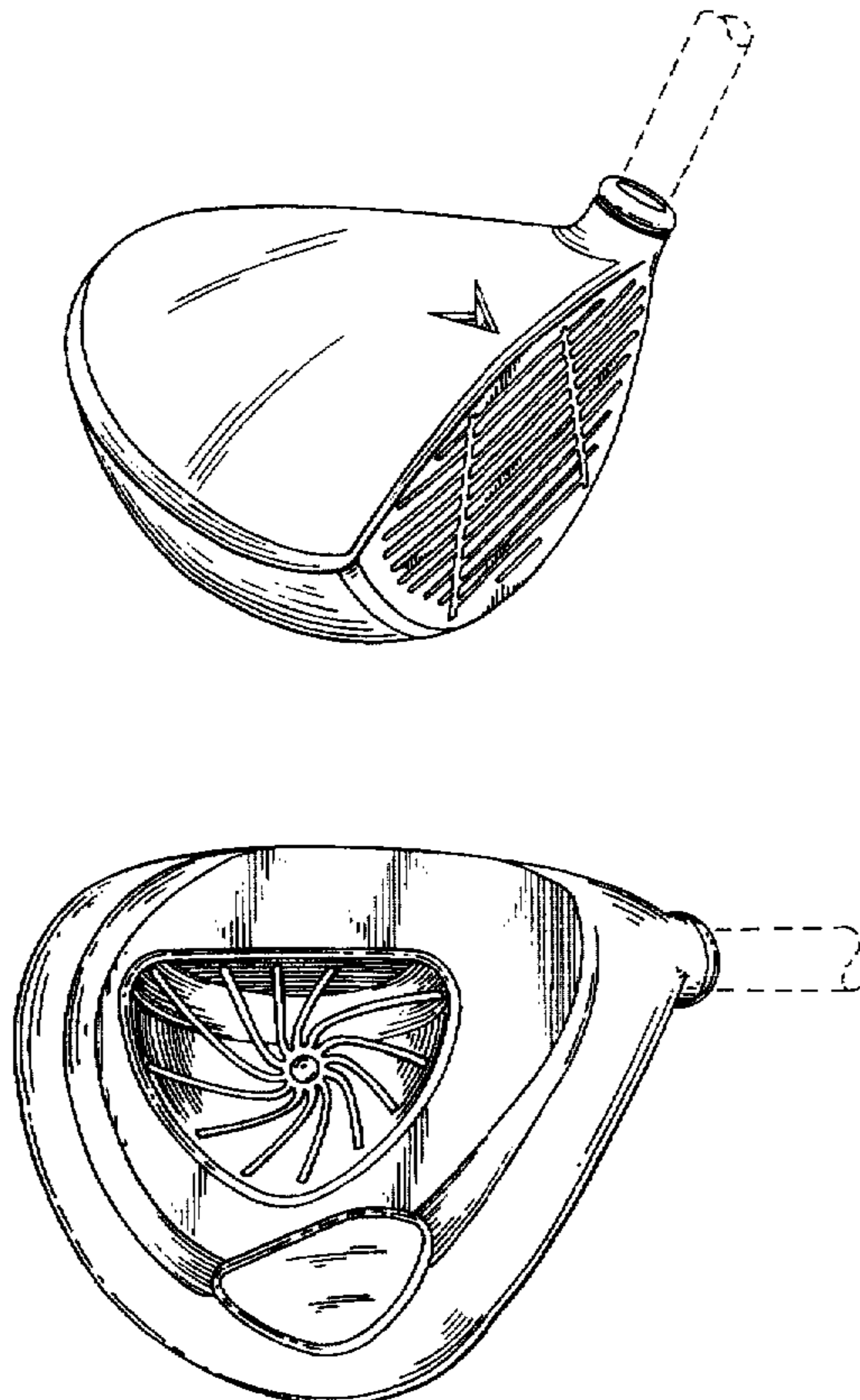


FIG. 1

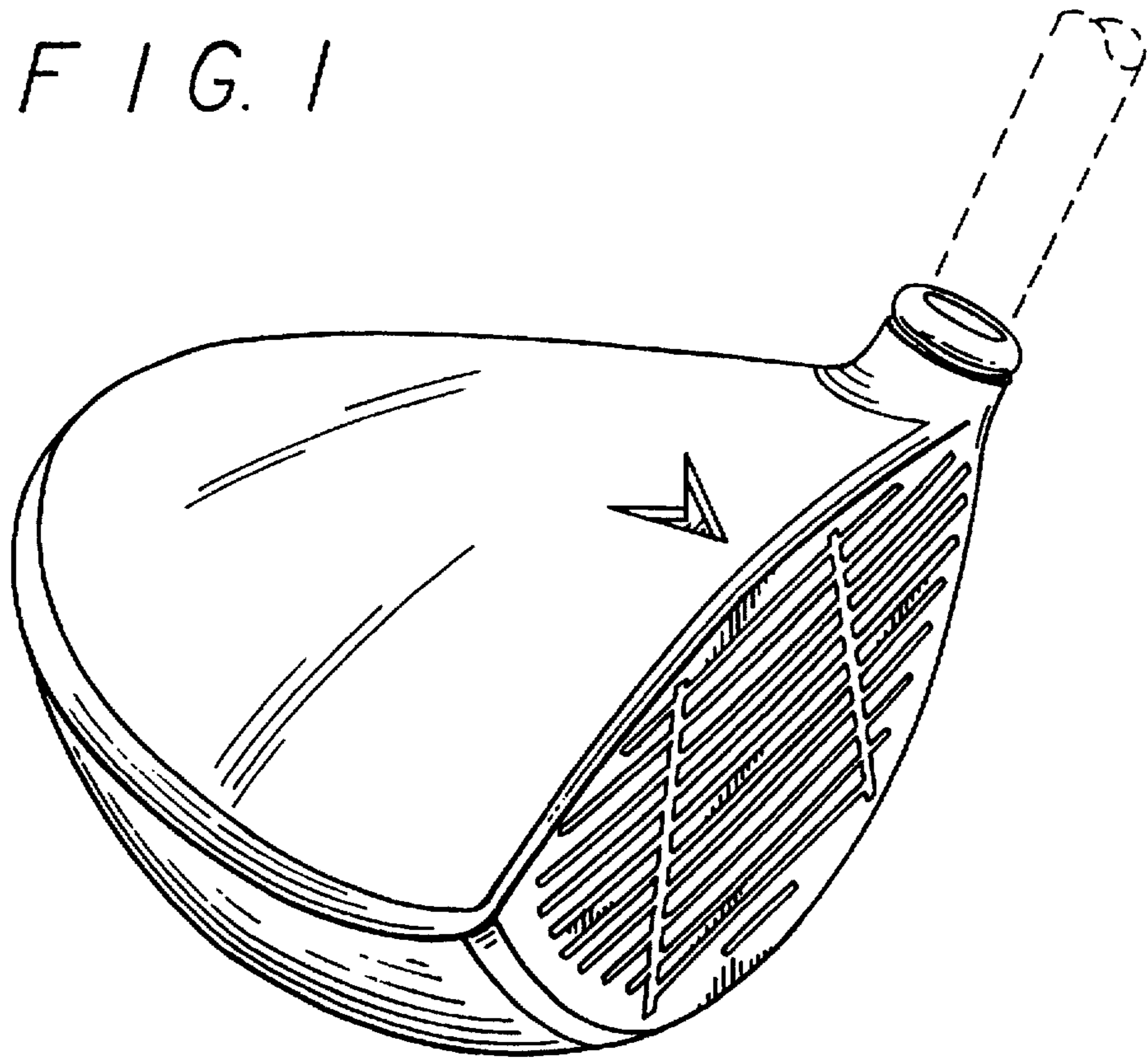


FIG. 2

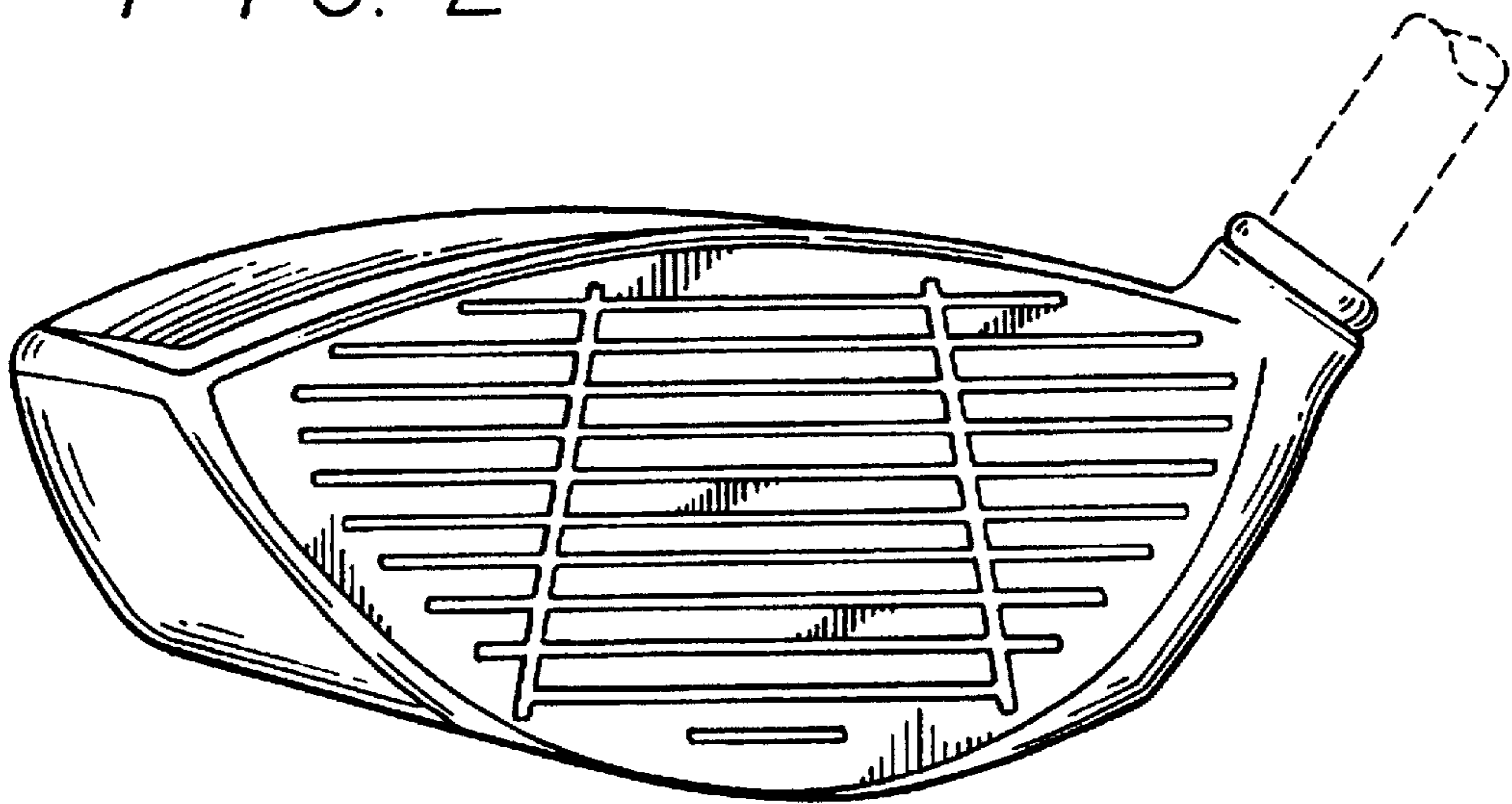


FIG. 3

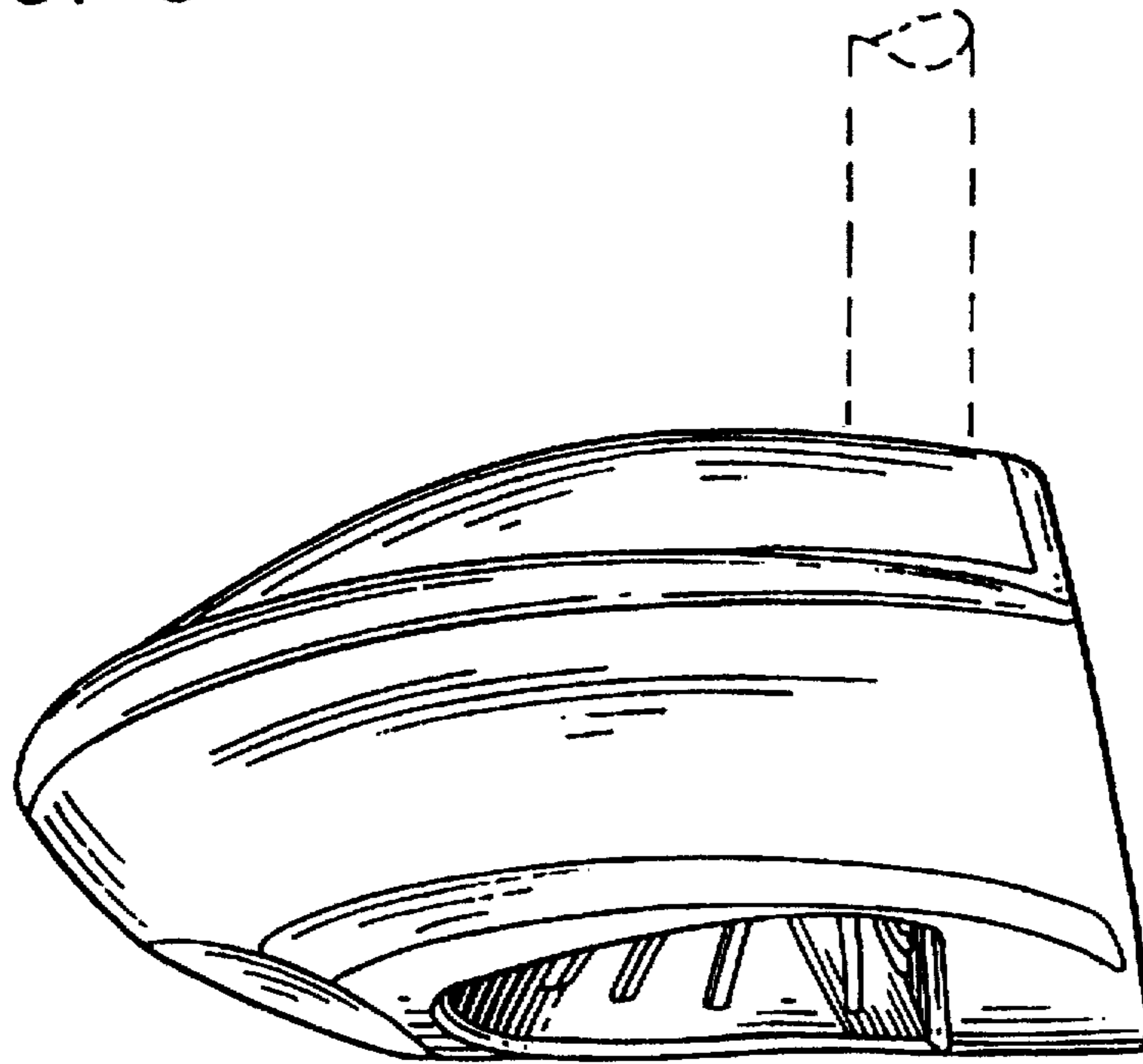


FIG. 4

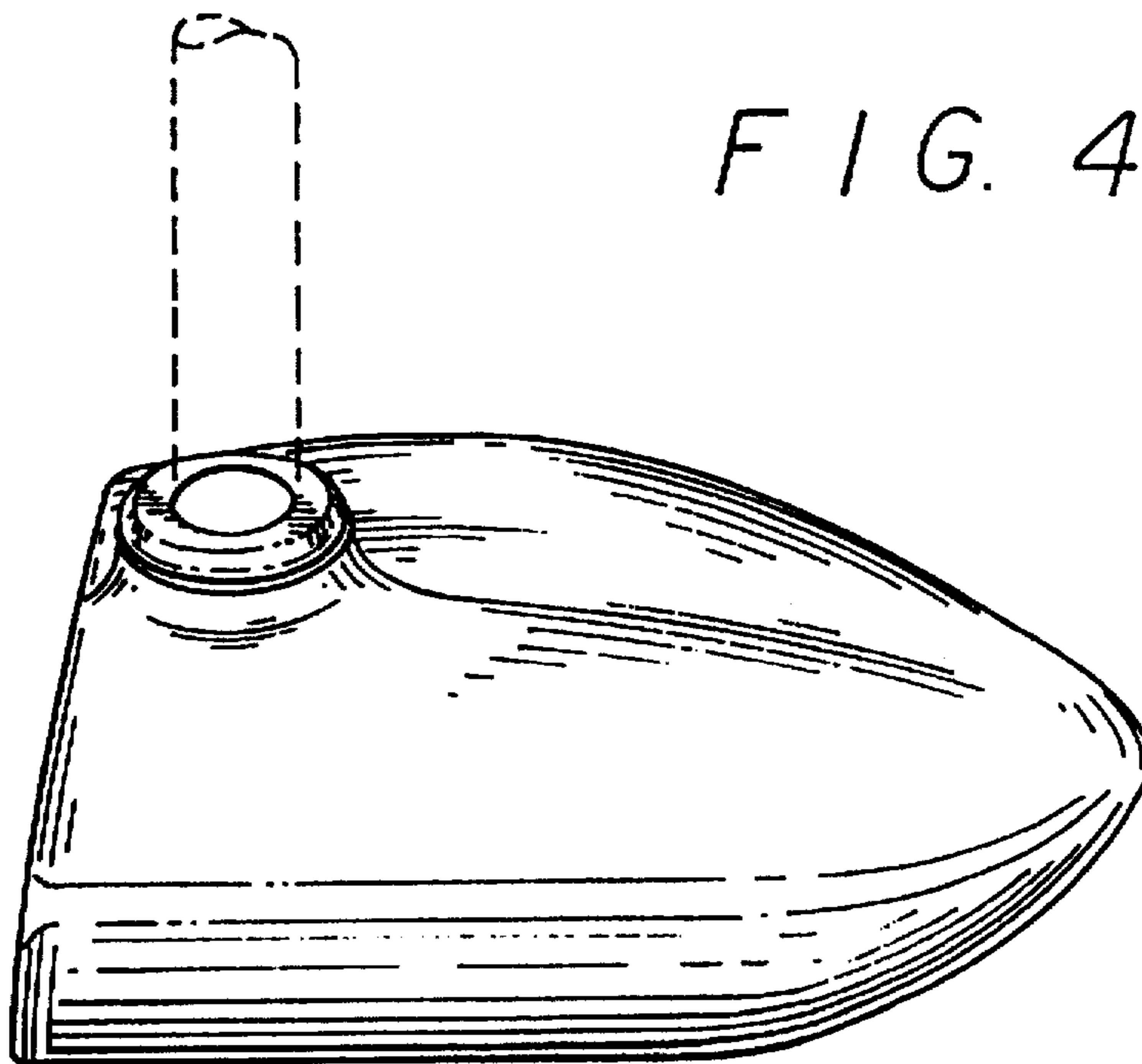
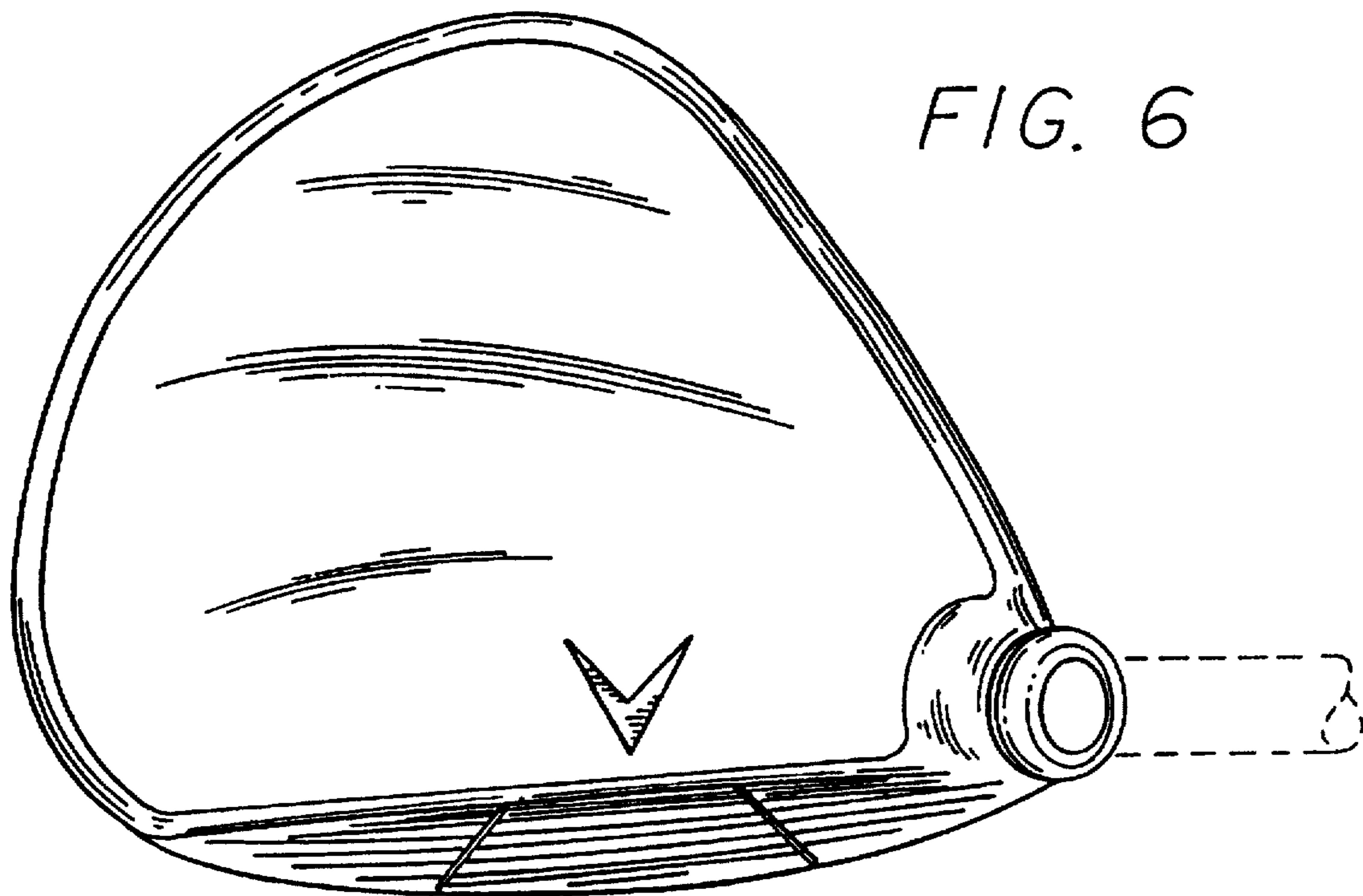


FIG. 5



FIG. 6



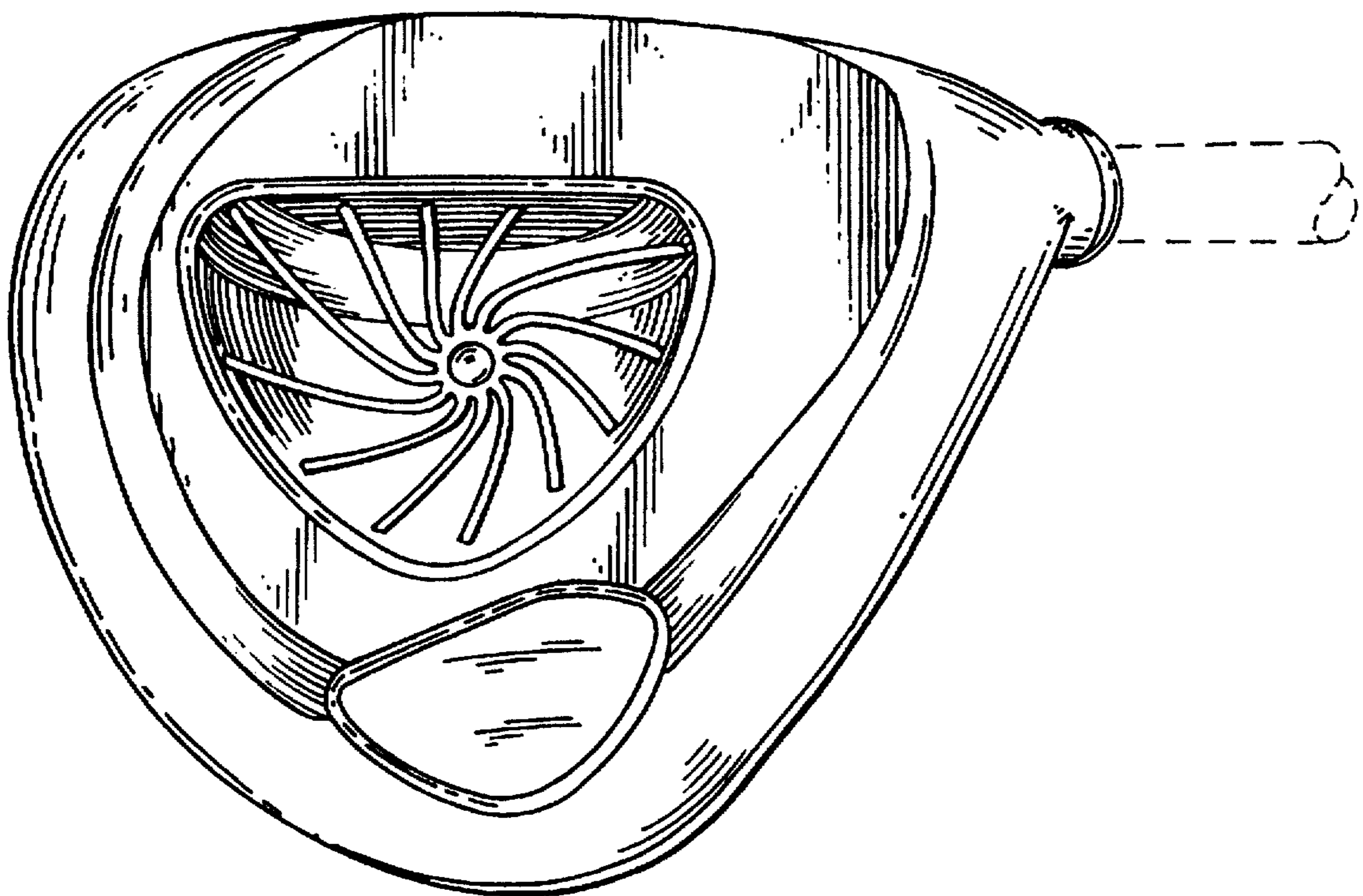


FIG. 7

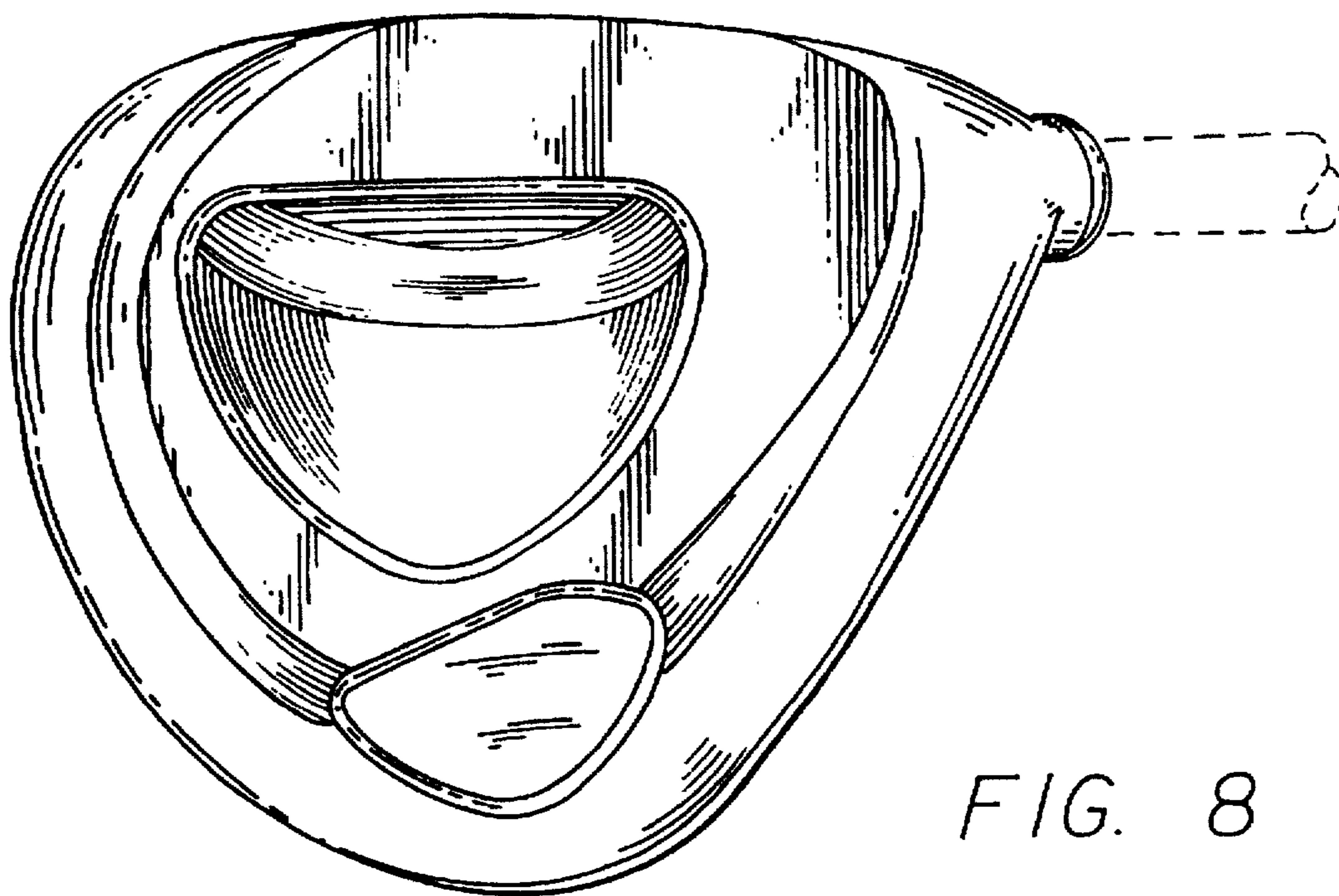
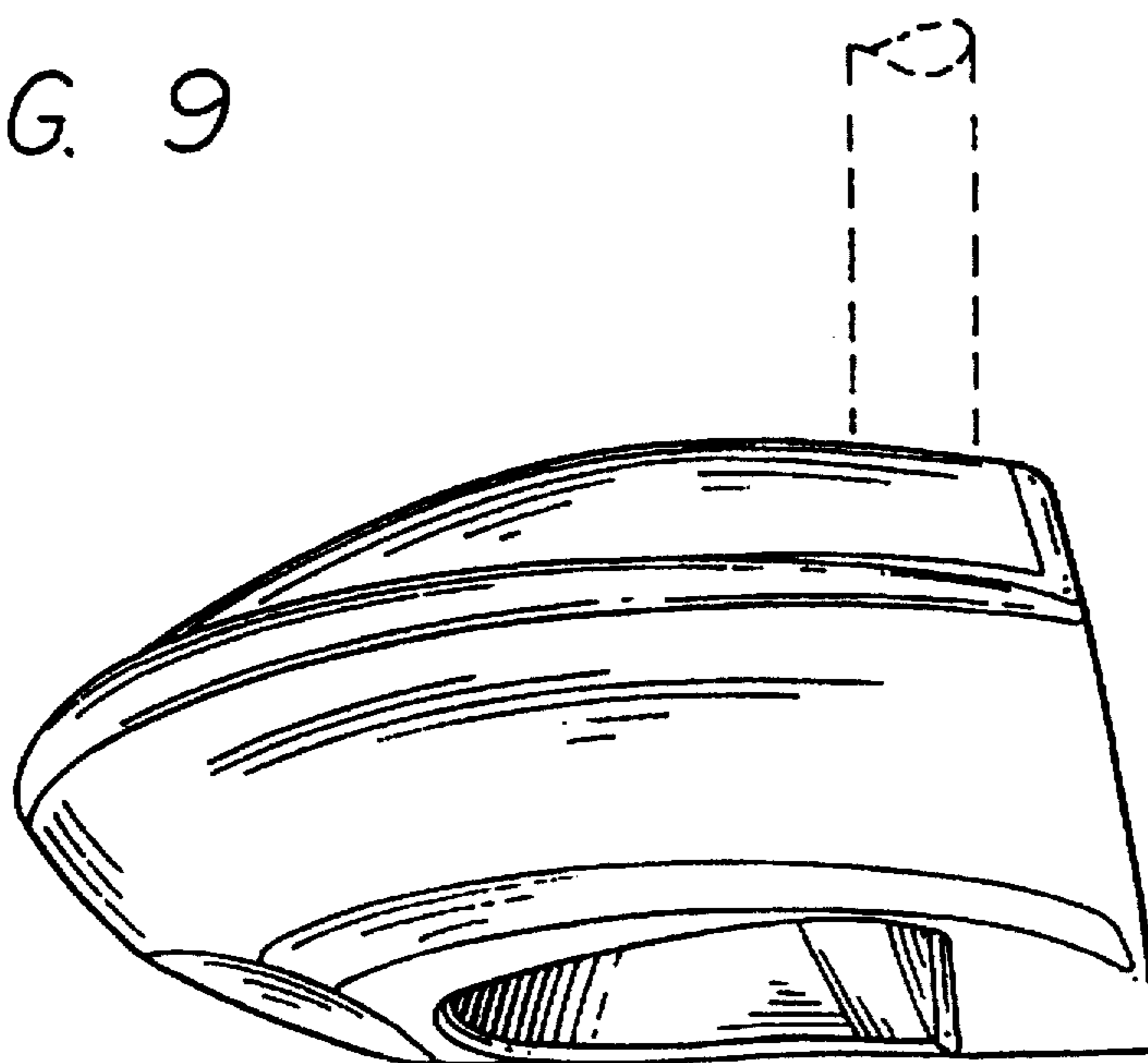


FIG. 8

FIG. 9



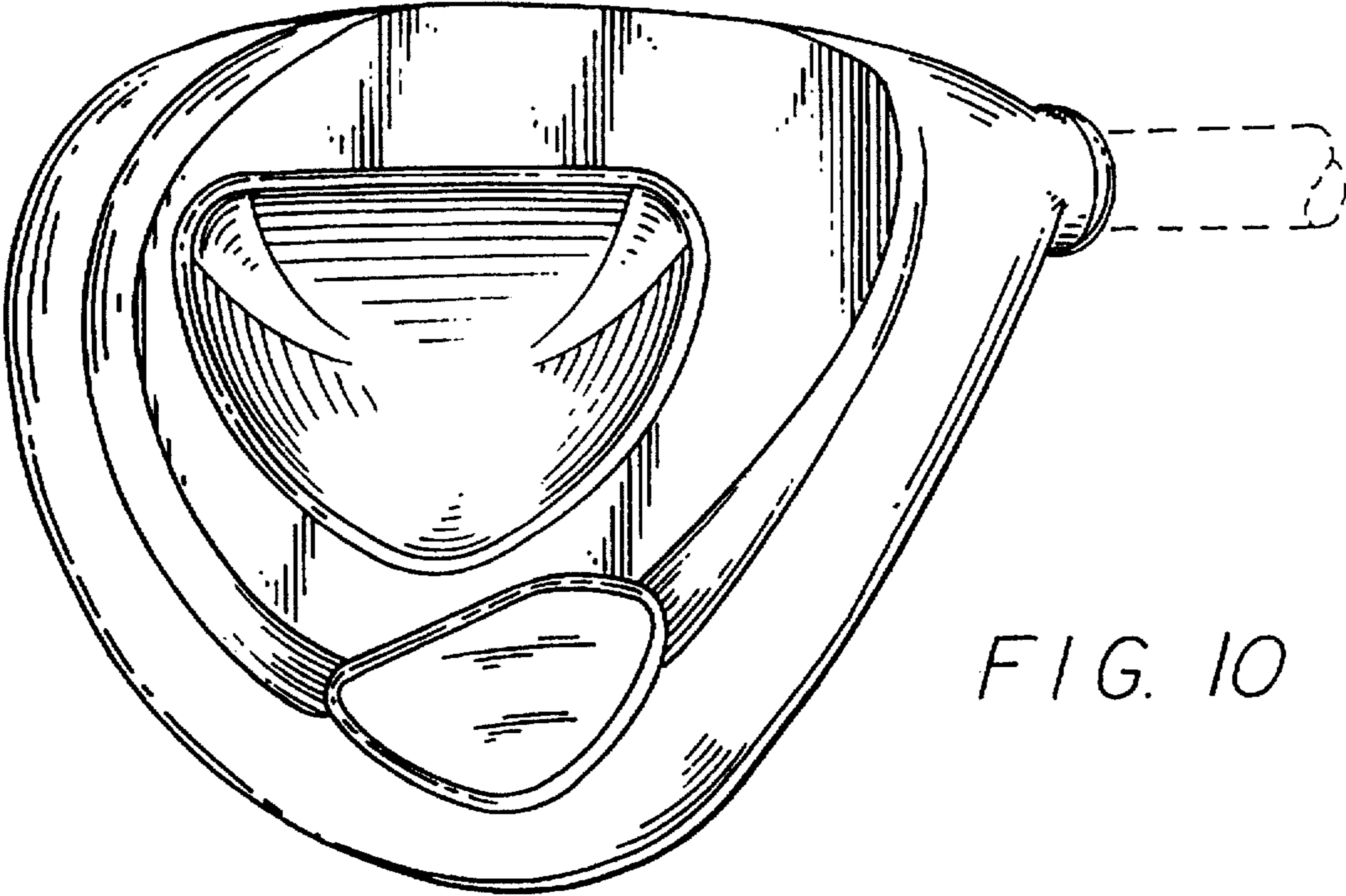


FIG. 10

FIG. 11

