



US00D397746S

United States Patent [19]

[11] Patent Number: Des. 397,746

Drach et al.

[45] Date of Patent: **Sep. 1, 1998

[54] PEDAL EXERCISING DEVICE

[75] Inventors: **Ami Drach**, Tel-Aviv; **Raanan Volk**, Ramat-Gan, both of Israel

[73] Assignee: **Mego Afek Industrial Measuring Instruments**, Doar NA, Israel

[**] Term: **14 Years**

[21] Appl. No.: **69,549**

[22] Filed: **Apr. 28, 1997**

[30] Foreign Application Priority Data

Oct. 30, 1996 [IL] Israel 26935

[51] LOC (6) Cl. **21-02**

[52] U.S. Cl. **D21/192**

[58] Field of Search D21/191, 192, D21/193, 194, 195; 482/51, 52, 53, 80, 79, 111, 112, 113

[56] References Cited

U.S. PATENT DOCUMENTS

D. 348,708	7/1994	Chen	D21/191
D. 349,542	8/1994	Russell	D21/191
D. 383,813	9/1997	Zoller	D21/191
5,186,700	2/1993	Wang	482/80
5,277,677	1/1994	Terands	482/80
5,304,105	4/1994	Hsieh	482/80

Primary Examiner—Philip S. Hyder

Attorney, Agent, or Firm—Browdy and Neimark

[57] CLAIM

The ornamental design for a pedal exercising device, as shown and described.

DESCRIPTION

FIG. 1 is a perspective view of the pedal exercising device showing my new design;

FIG. 2 is a top view thereof;

FIG. 3 is left side view thereof;

FIG. 4 is a bottom view thereof;

FIG. 5 is right side view thereof;

FIG. 6 is a front view thereof;

FIG. 7 is a rear view thereof;

FIG. 8 is a perspective view of the pedal exercising device in a second position;

FIG. 9 is a perspective view of a second embodiment of the pedal exercising device;

FIG. 10 is a front view of FIG. 9;

FIG. 11 is a top plan view of FIG. 9;

FIG. 12 is a perspective view of FIG. 9 in a second position;

FIG. 13 is a perspective view of a third embodiment of the pedal exercising device;

FIG. 14 is a front view of FIG. 13;

FIG. 15 is a top plan view of FIG. 13;

FIG. 16 is a perspective view of FIG. 13 in a second position;

FIG. 17 is a perspective view of a fourth embodiment of the pedal exercising device;

FIG. 18 is a front view of FIG. 17;

FIG. 19 is a top plan view of FIG. 17; and,

FIG. 20 is a perspective view of FIG. 17 in a second position.

The bottom and rear views of the second, third, and fourth embodiments of the pedal exercising device are identical to the corresponding views of the first embodiment.

1 Claim, 14 Drawing Sheets

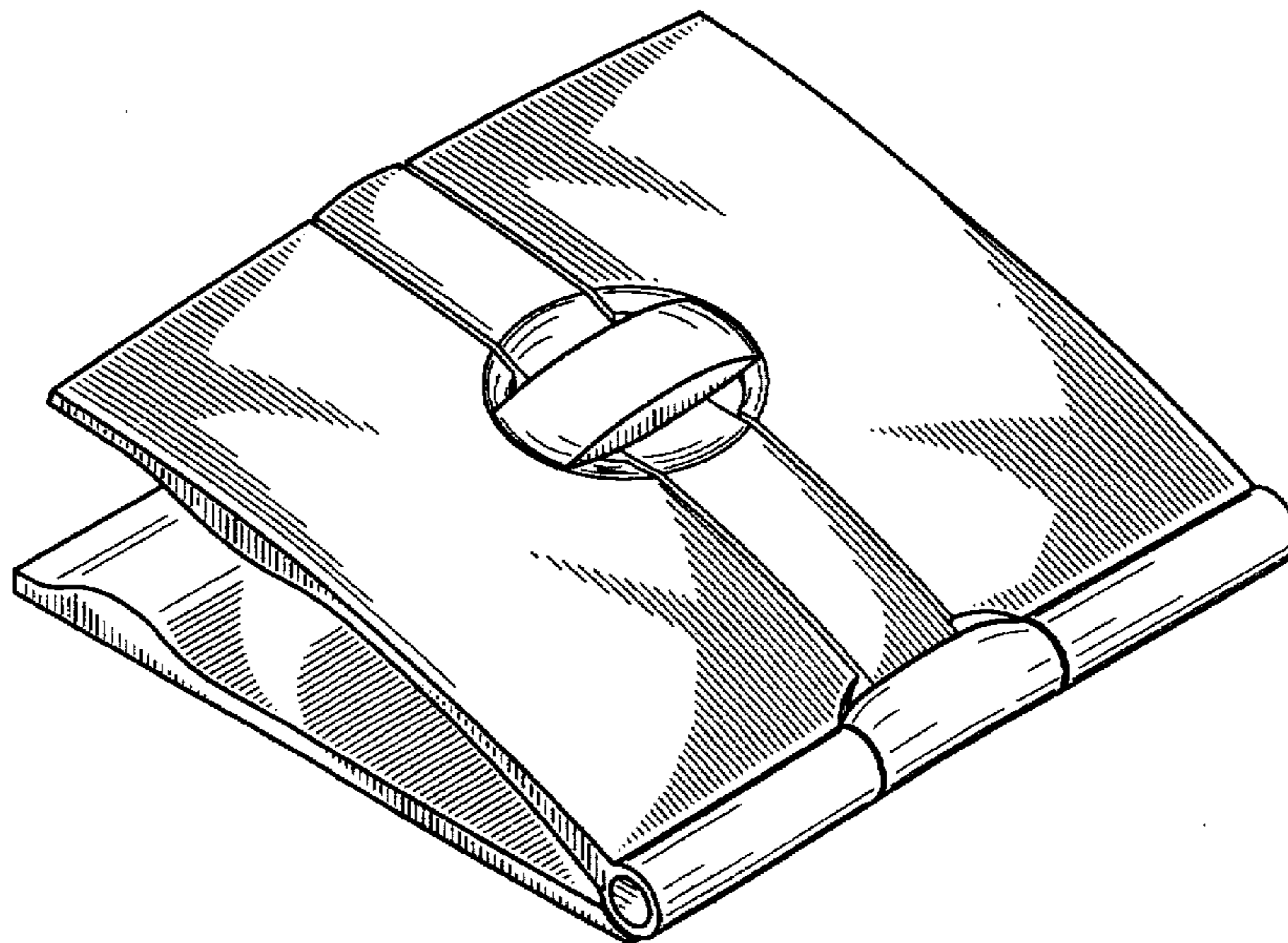


FIG. 1

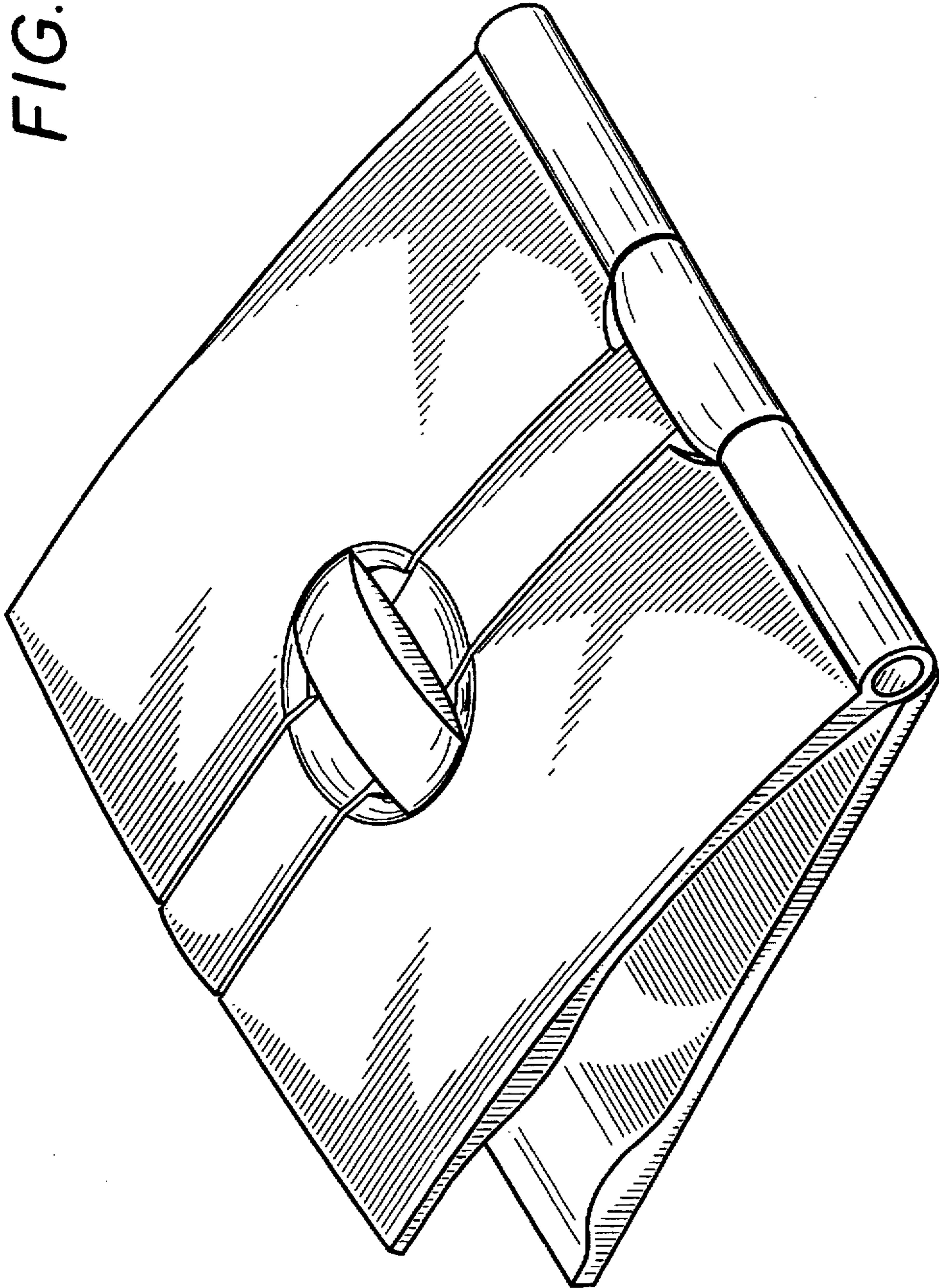


FIG. 2

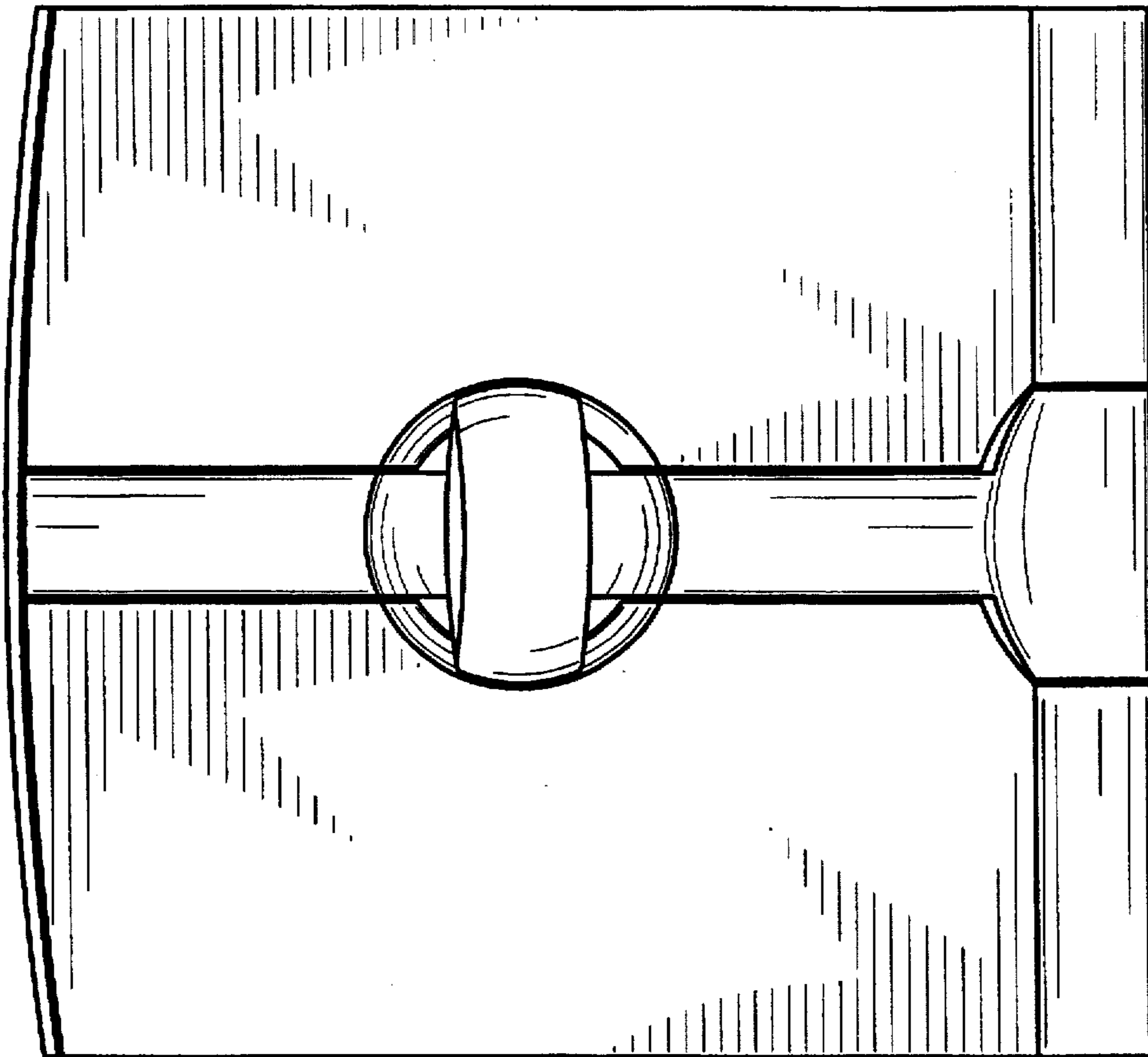
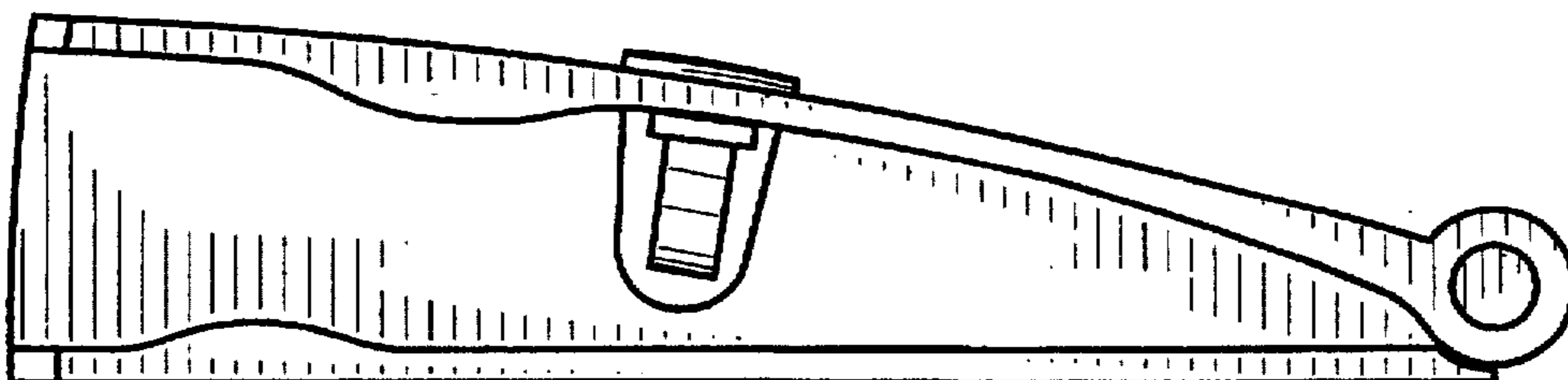


FIG. 3



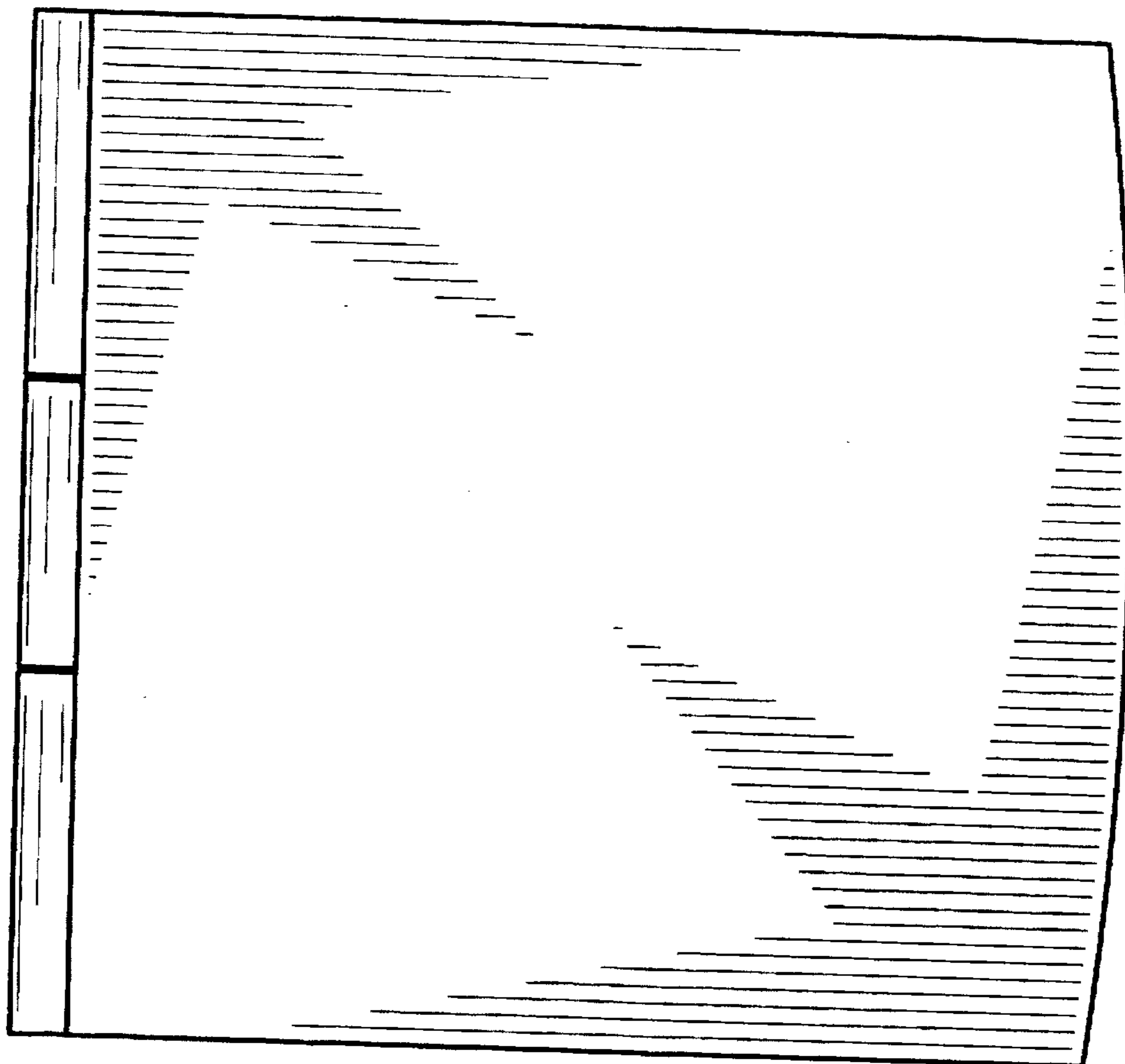


FIG. 4

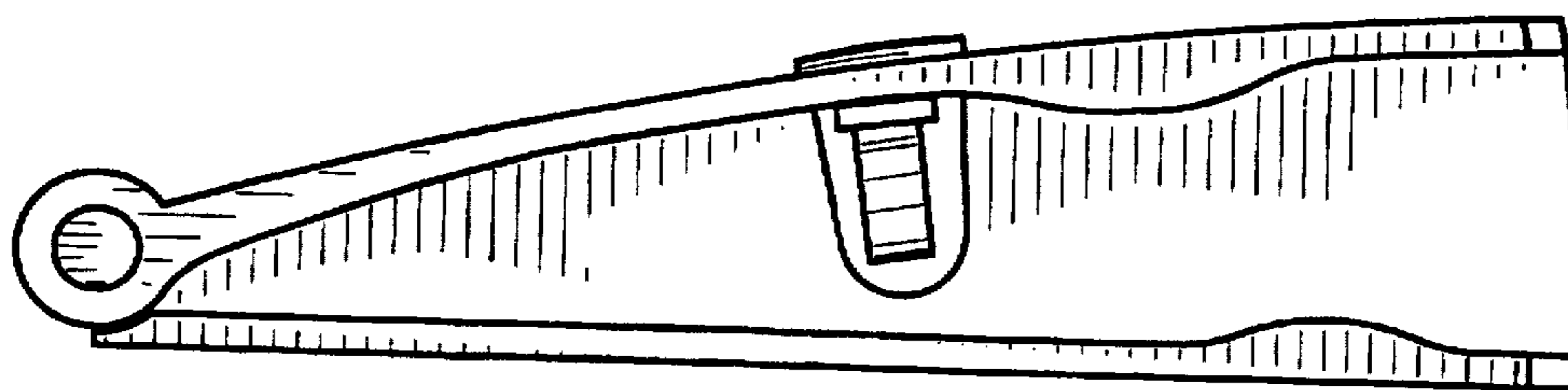


FIG. 5

FIG. 6

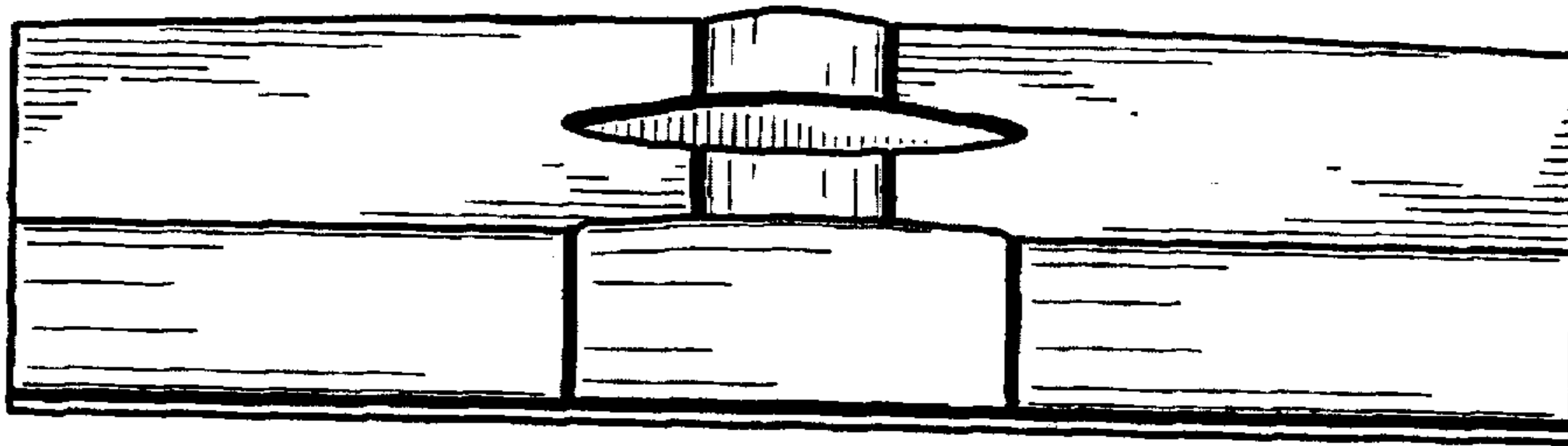


FIG. 7

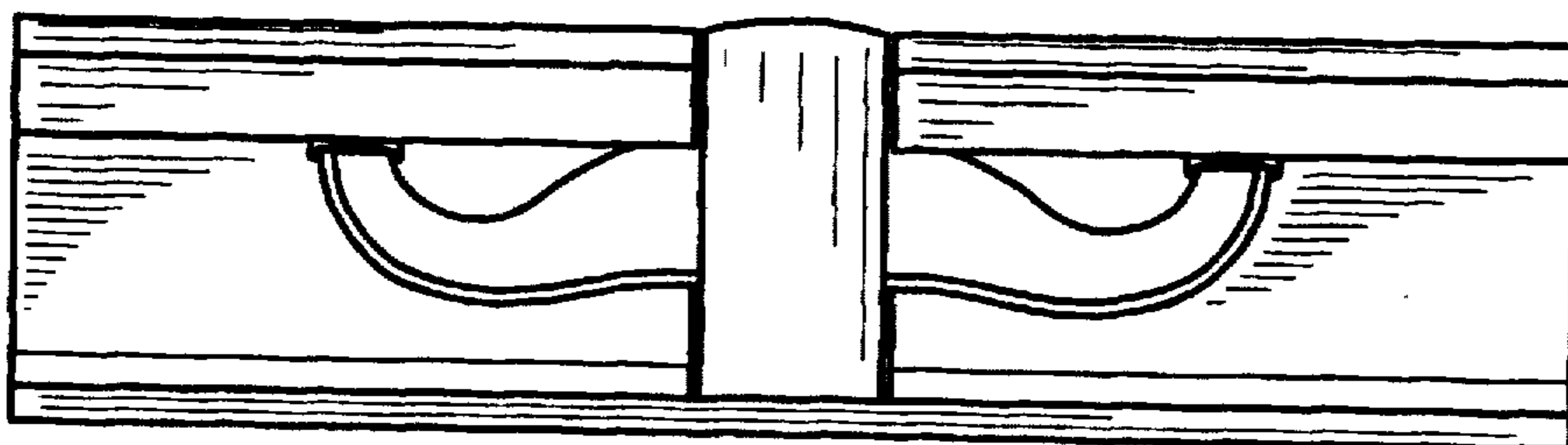


FIG. 8

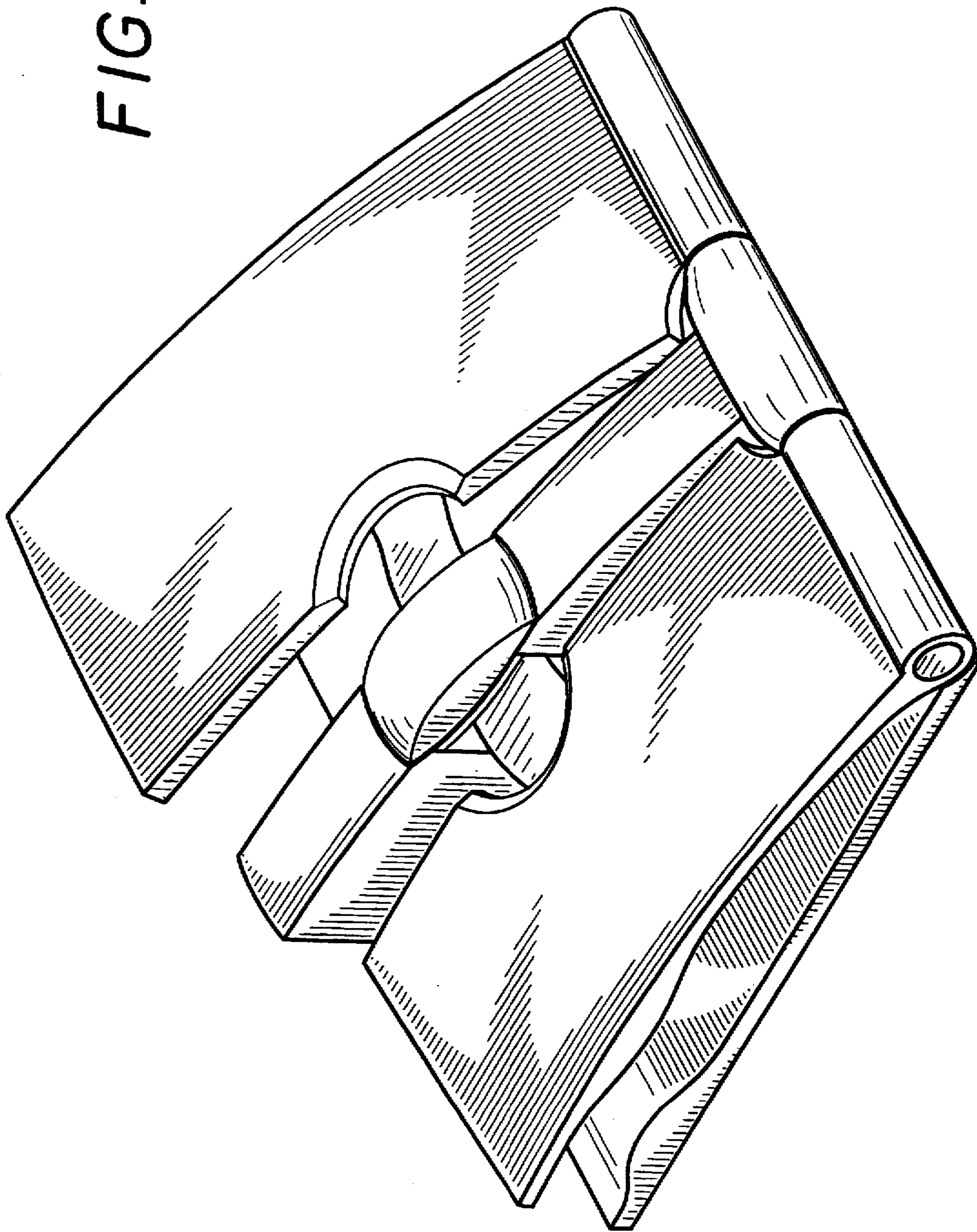


FIG. 9

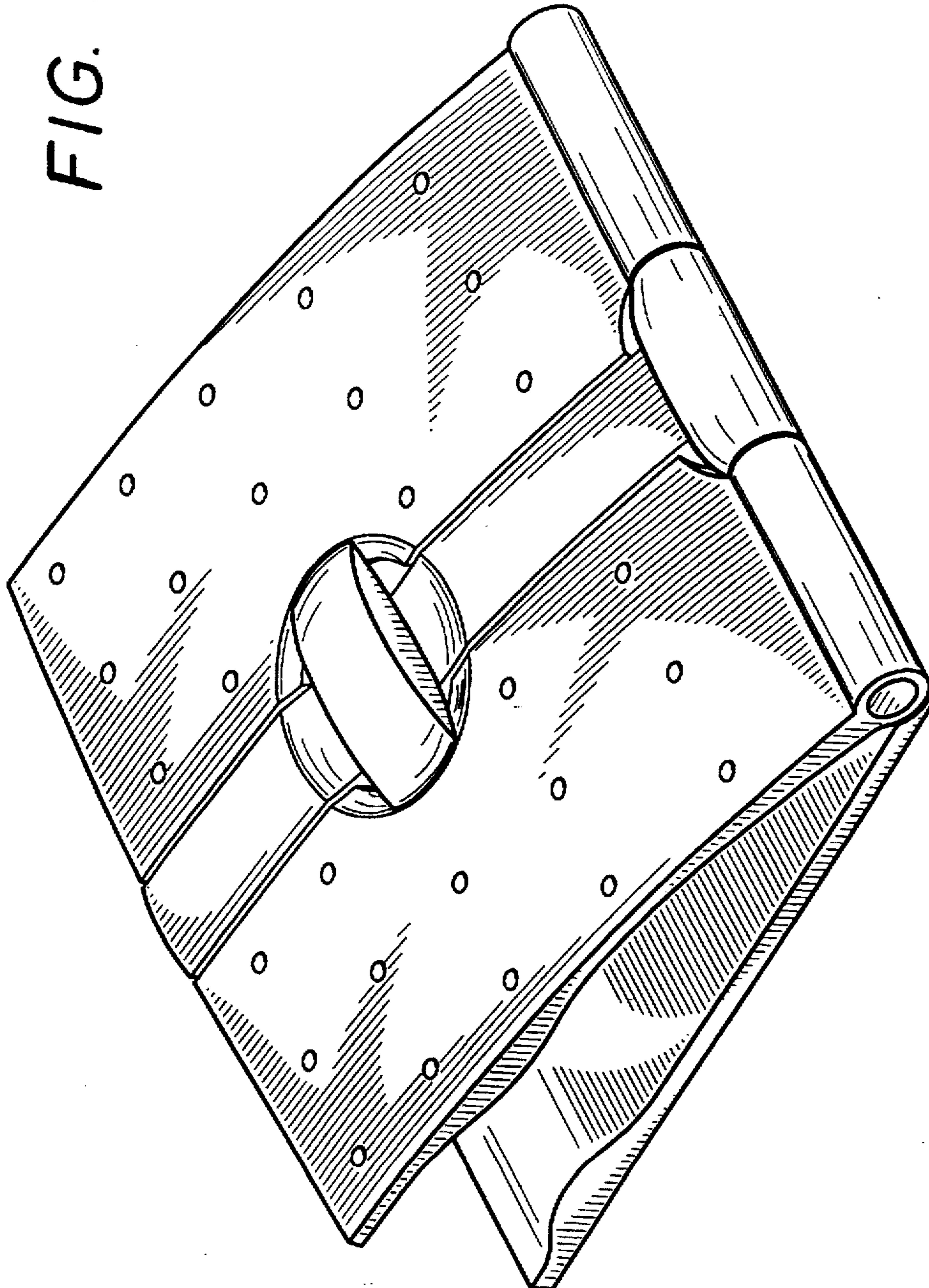


FIG. 10

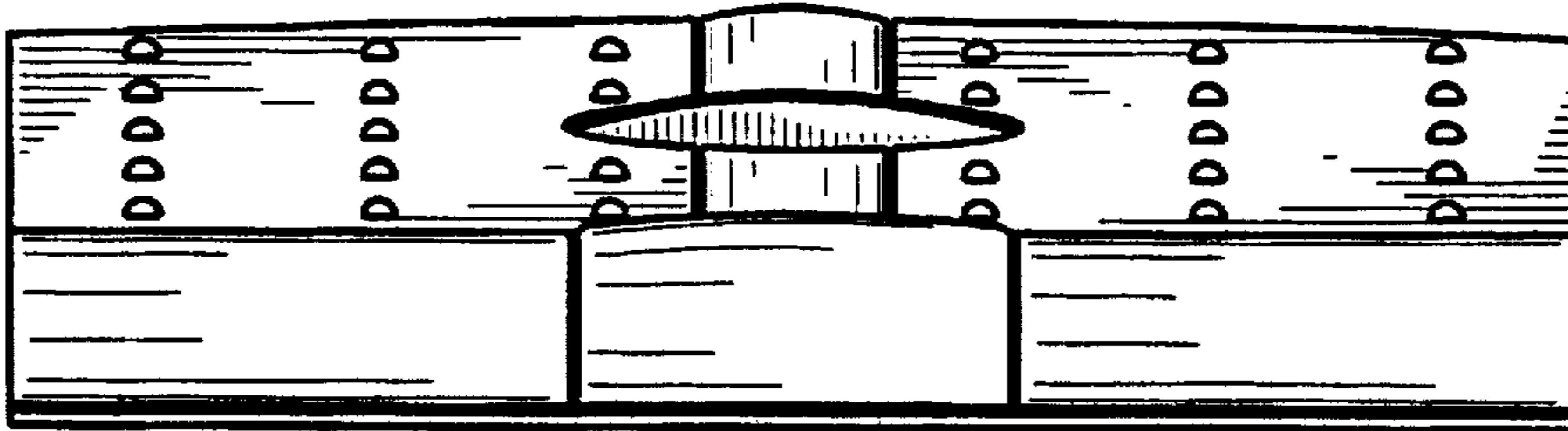


FIG. 11

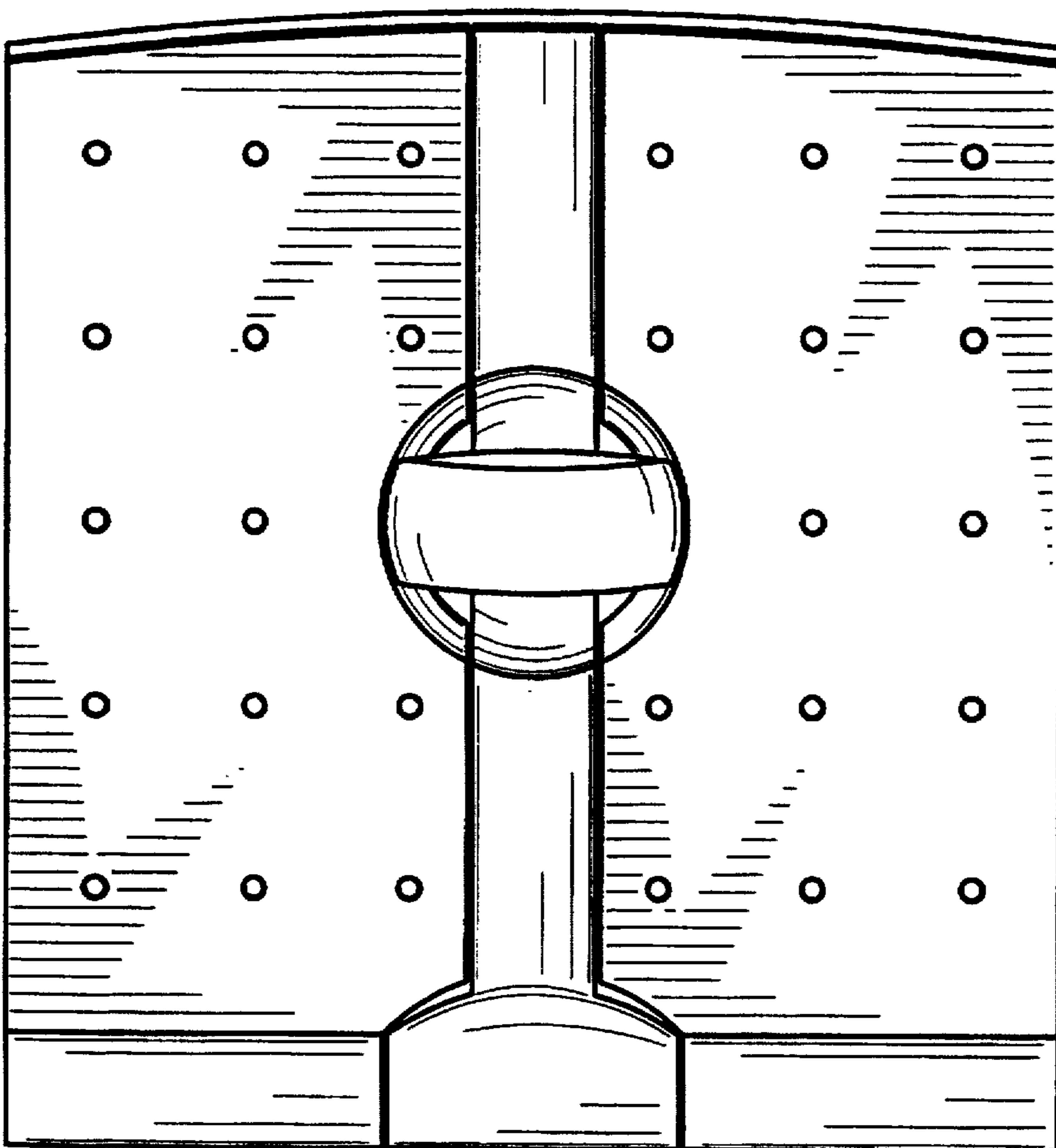


FIG. 12

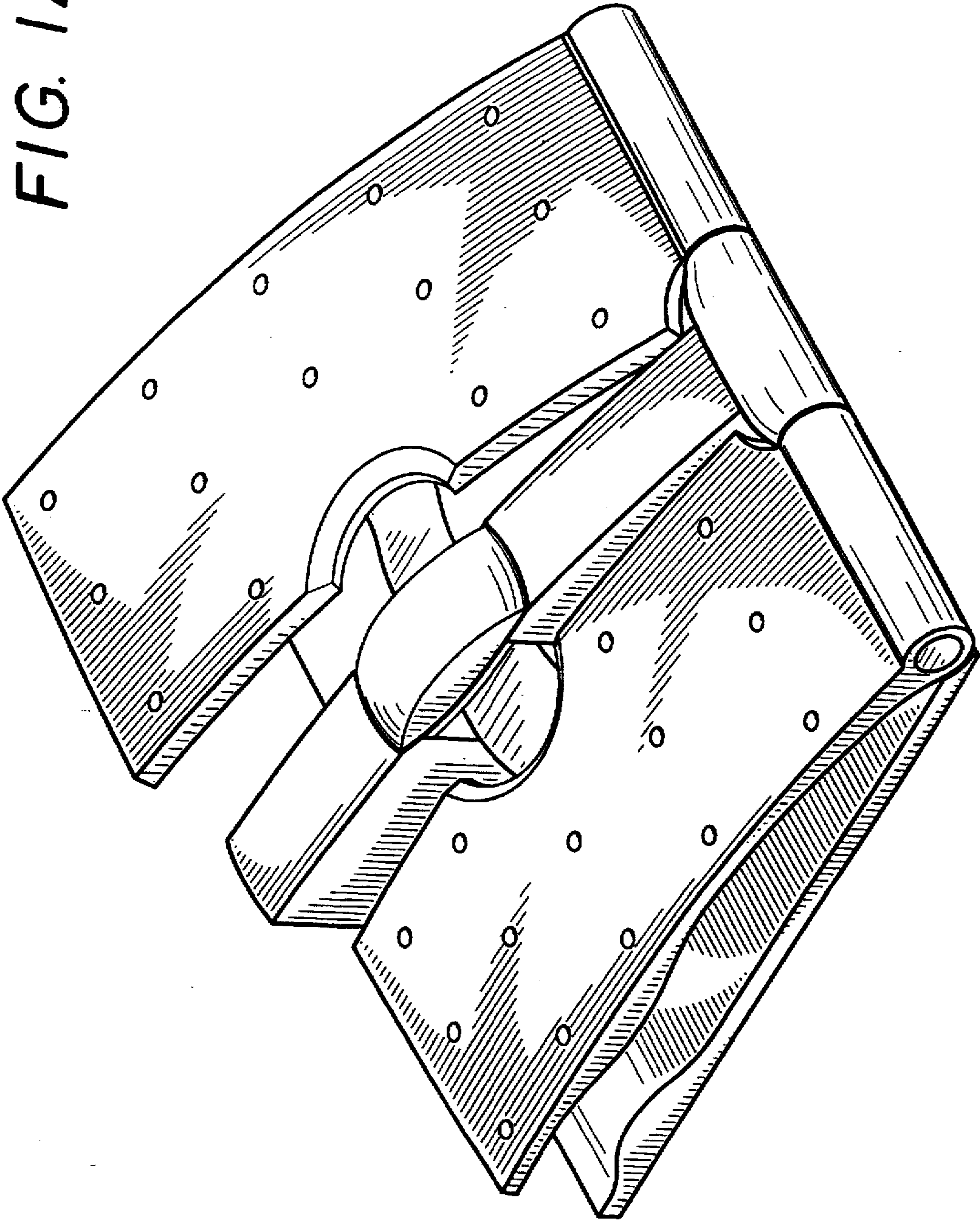


FIG. 13

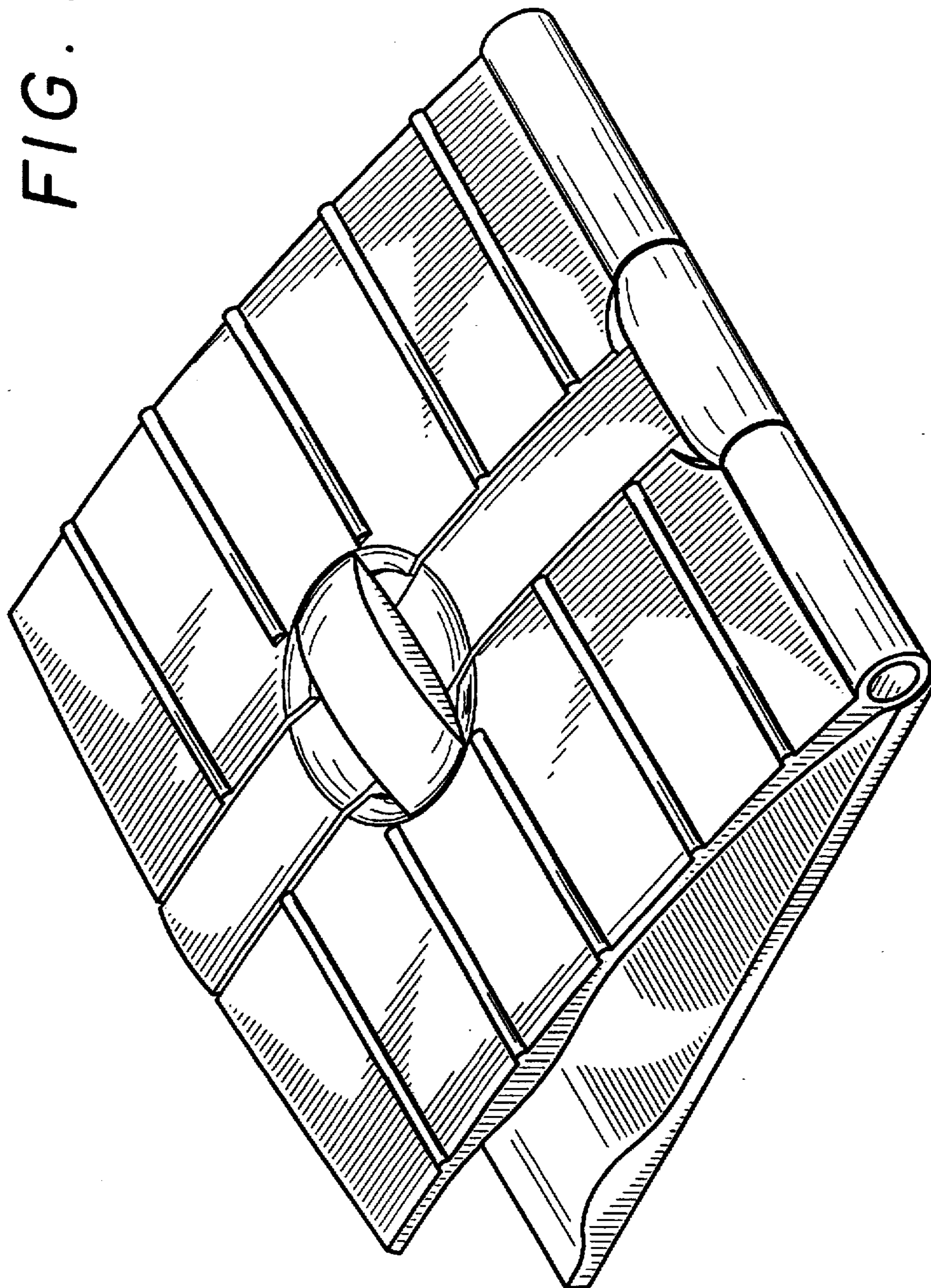


FIG. 14

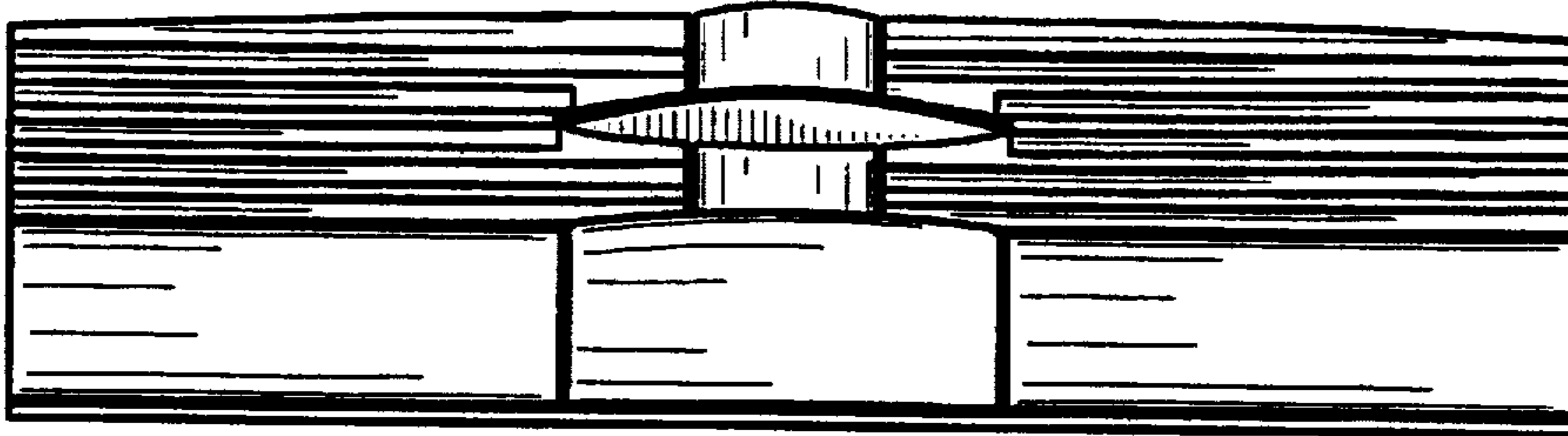


FIG. 15

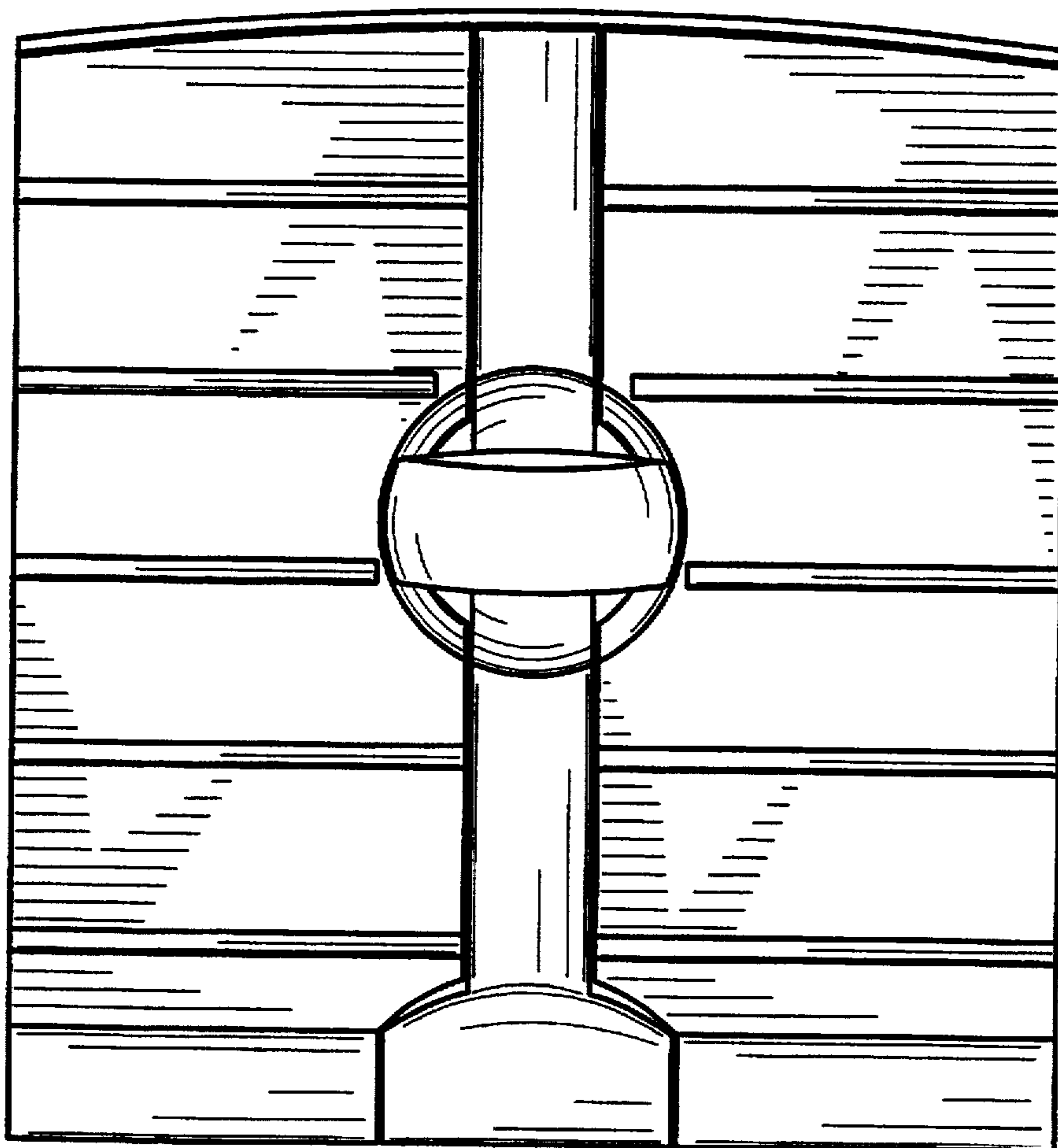


FIG. 16

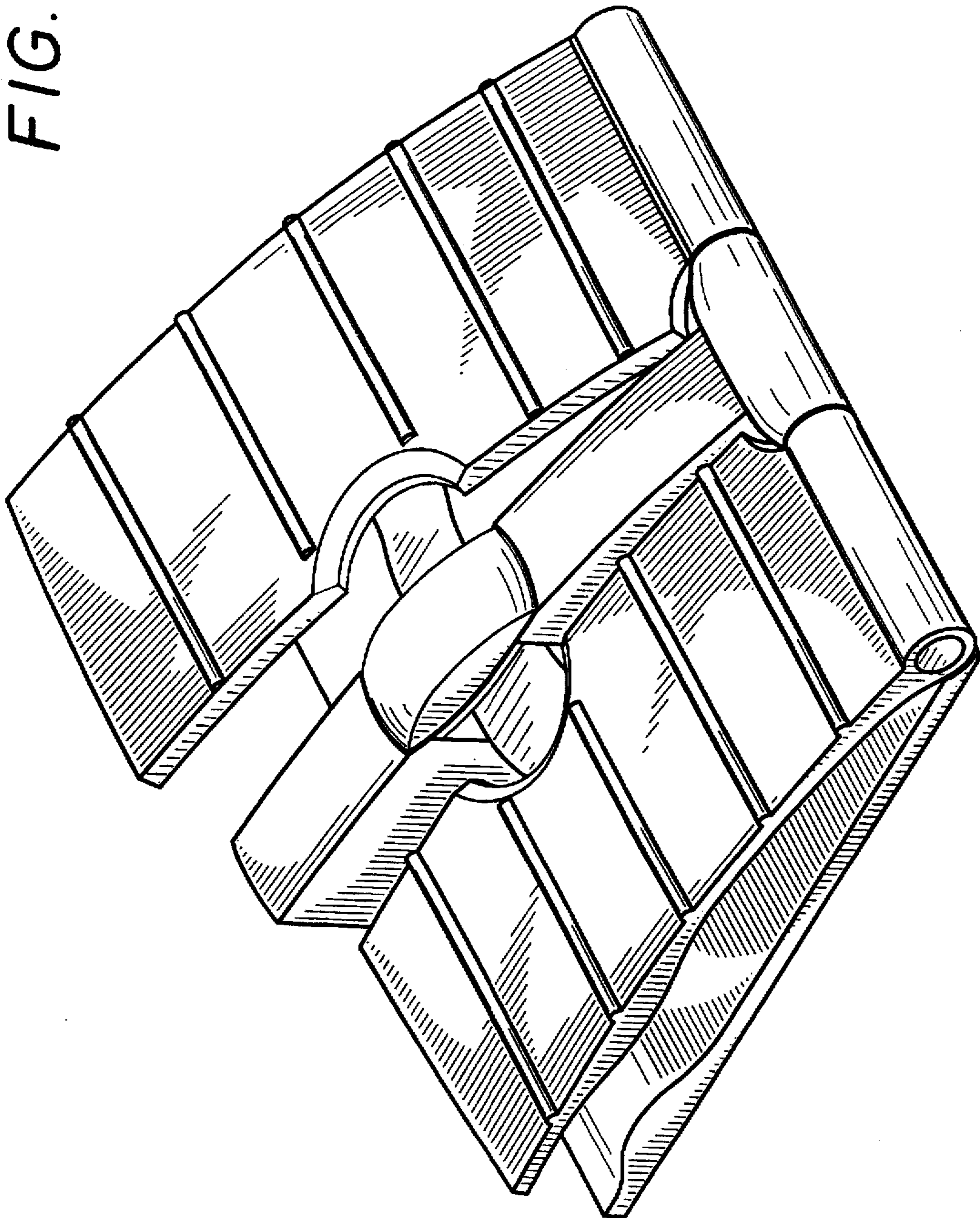


FIG. 17

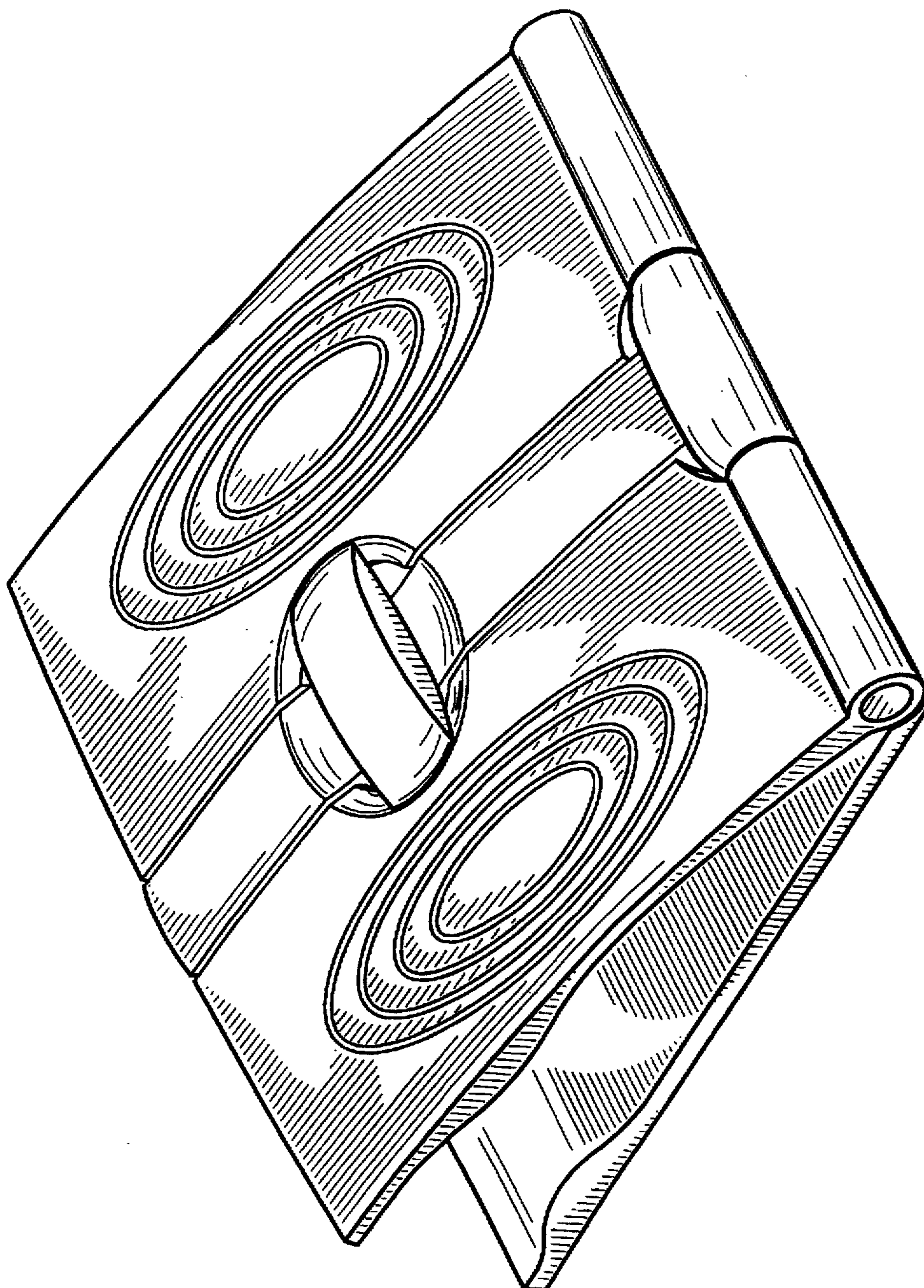


FIG. 18

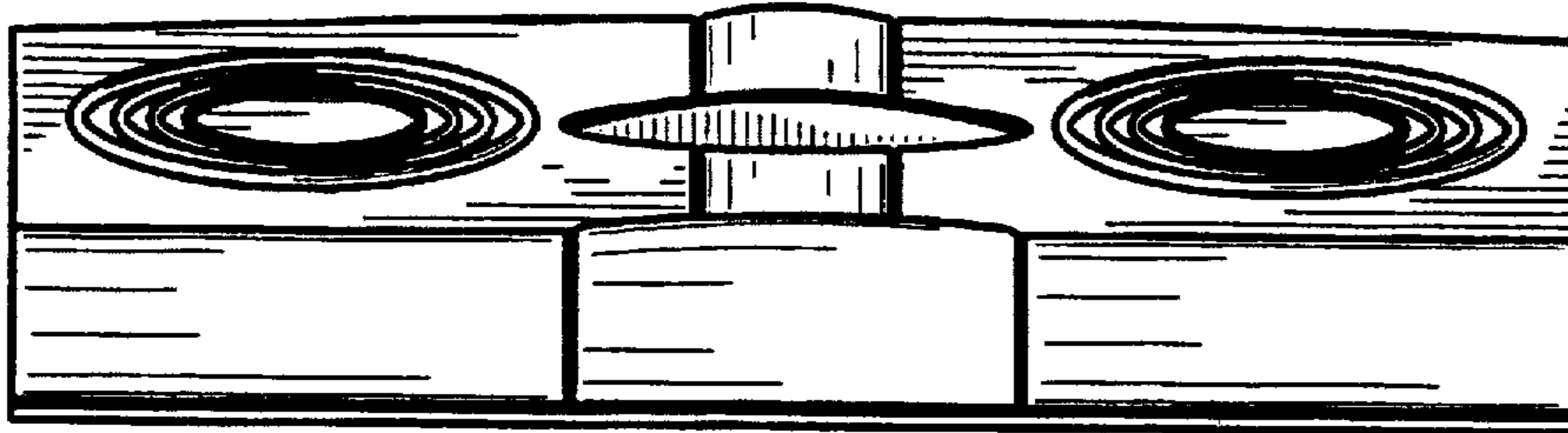


FIG. 19

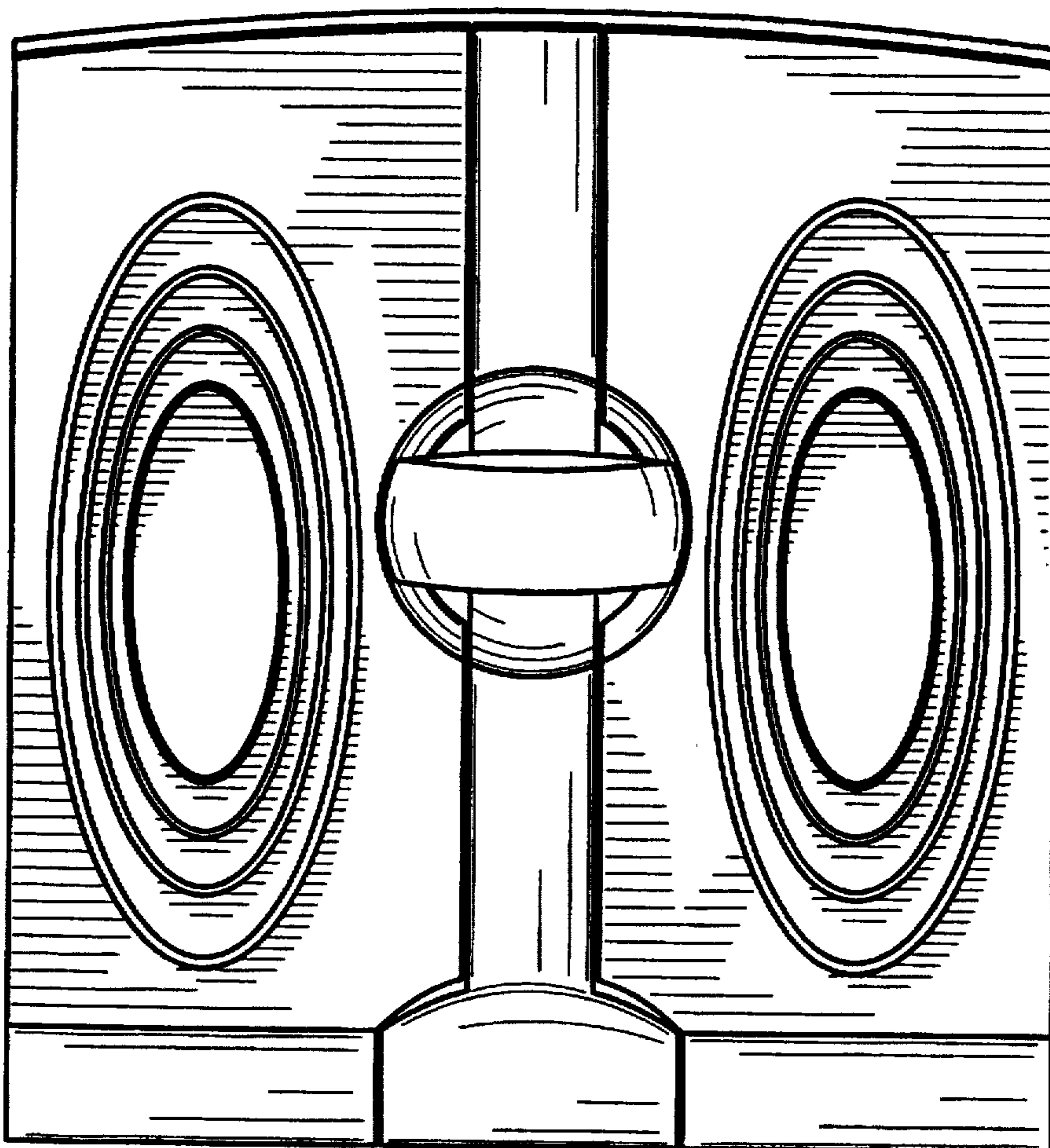


FIG. 20

