

US00D397745S

United States Patent [19]

Wu

[11] Patent Number: Des. 397,745

[45] Date of Patent: **Sep. 1, 1998

[54] **CURVED SKI TYPE EXERCISE APPARATUS**

[76] Inventor: **Tai Fu Wu**, No. 56, 40 Lane, Ta Wan Road, Yung Kang, Hsiang Tainan, Taiwan

[**] Term: **14 Years**

[21] Appl. No.: **53,995**

[22] Filed: **May 3, 1996**

[51] LOC (6) Cl. **21-02**

[52] U.S. Cl. **D21/192; D21/191**

[58] Field of Search **D21/191, 192, D21/194, 195, 193; 482/51, 52, 53, 54, 70, 71**

[56] **References Cited**

U.S. PATENT DOCUMENTS

219,439	9/1879	Blend .	
D. 303,131	8/1989	Lo	D21/192
D. 315,764	3/1991	Friedebach	D21/191
D. 340,095	10/1993	Friedebach	D21/195
D. 345,593	3/1994	Gerschefske et al.	D21/191

D. 375,767	11/1996	Camfield et al.	D21/191
4,402,506	9/1983	Jones .	
4,618,139	10/1986	Haaheim	482/70
5,230,677	7/1993	Chi	482/70
5,407,409	4/1995	Tang	482/70
5,575,740	11/1996	Piaget et al.	482/70

Primary Examiner—Philip S. Hyder
Attorney, Agent, or Firm—Oppenheimer Poms Smith

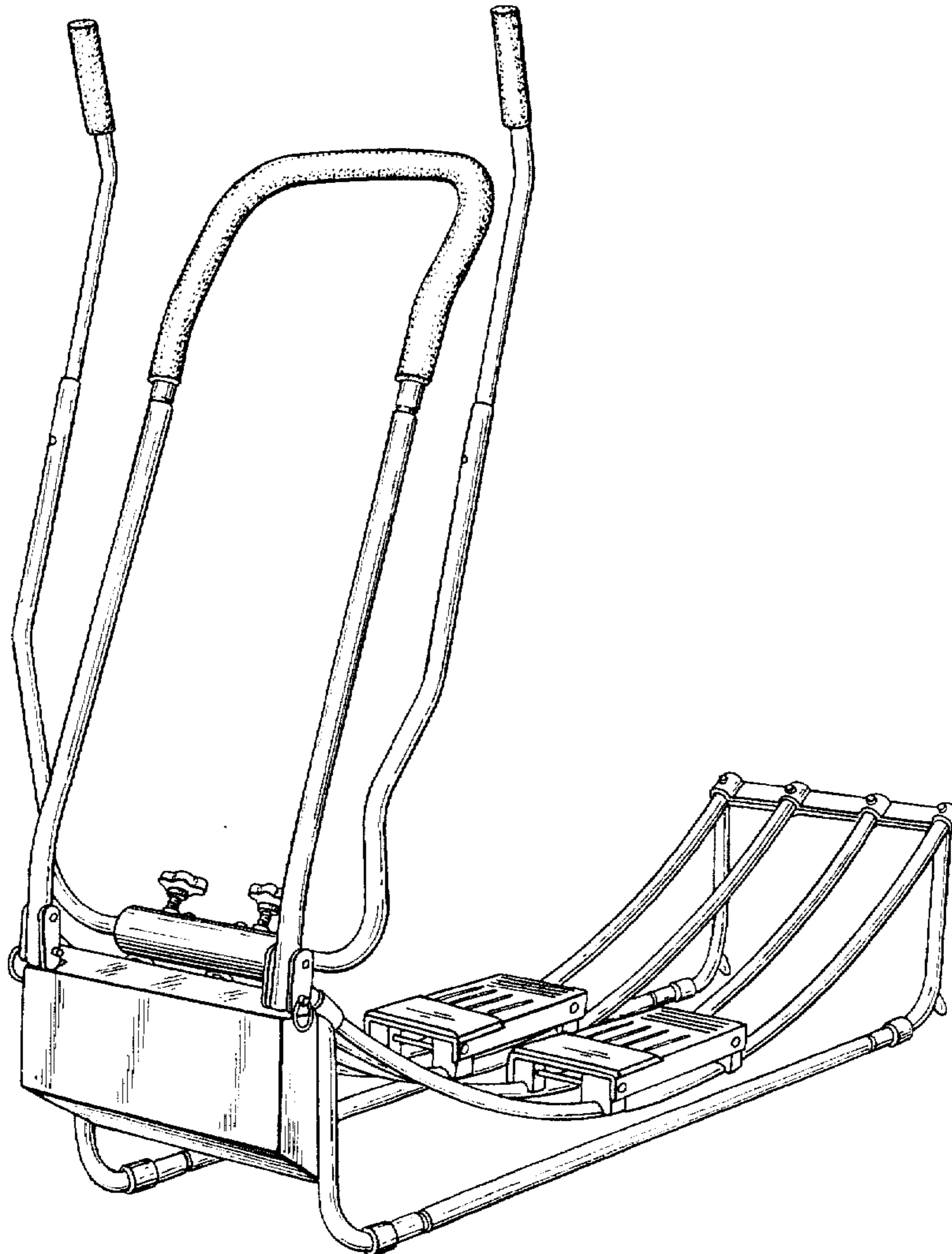
[57] **CLAIM**

The ornamental design for a curved ski type exercise apparatus, as shown and described.

DESCRIPTION

FIG. 1 is a front, side perspective view of a curved ski type exercise apparatus, showing my new design; FIG. 2 is a left side view, the right side being a mirror image thereof; FIG. 3 is a front elevational view thereof; FIG. 4 is a rear elevational view thereof; FIG. 5 is a top plan view thereof; and, FIG. 6 is a bottom plan view thereof.

1 Claim, 5 Drawing Sheets



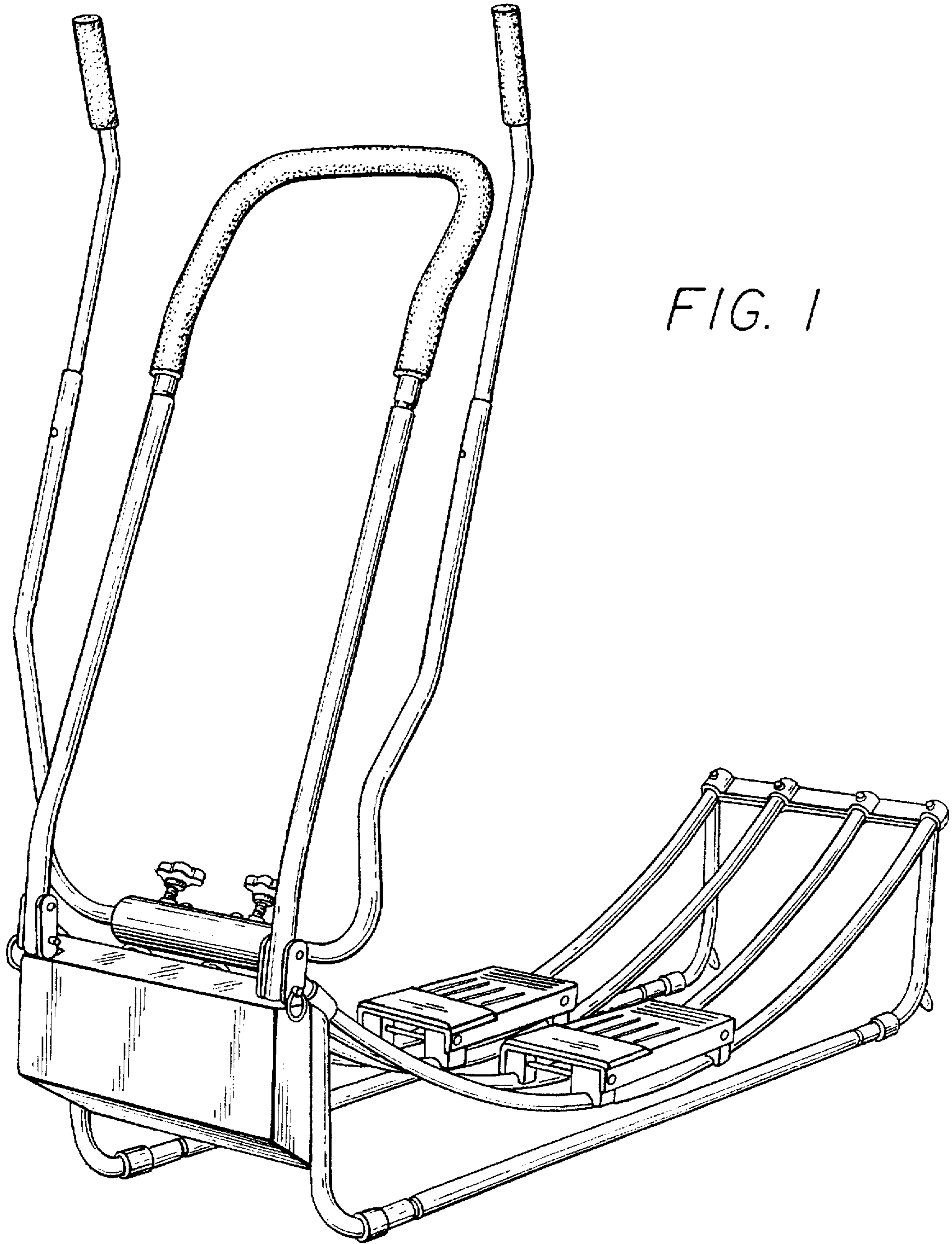
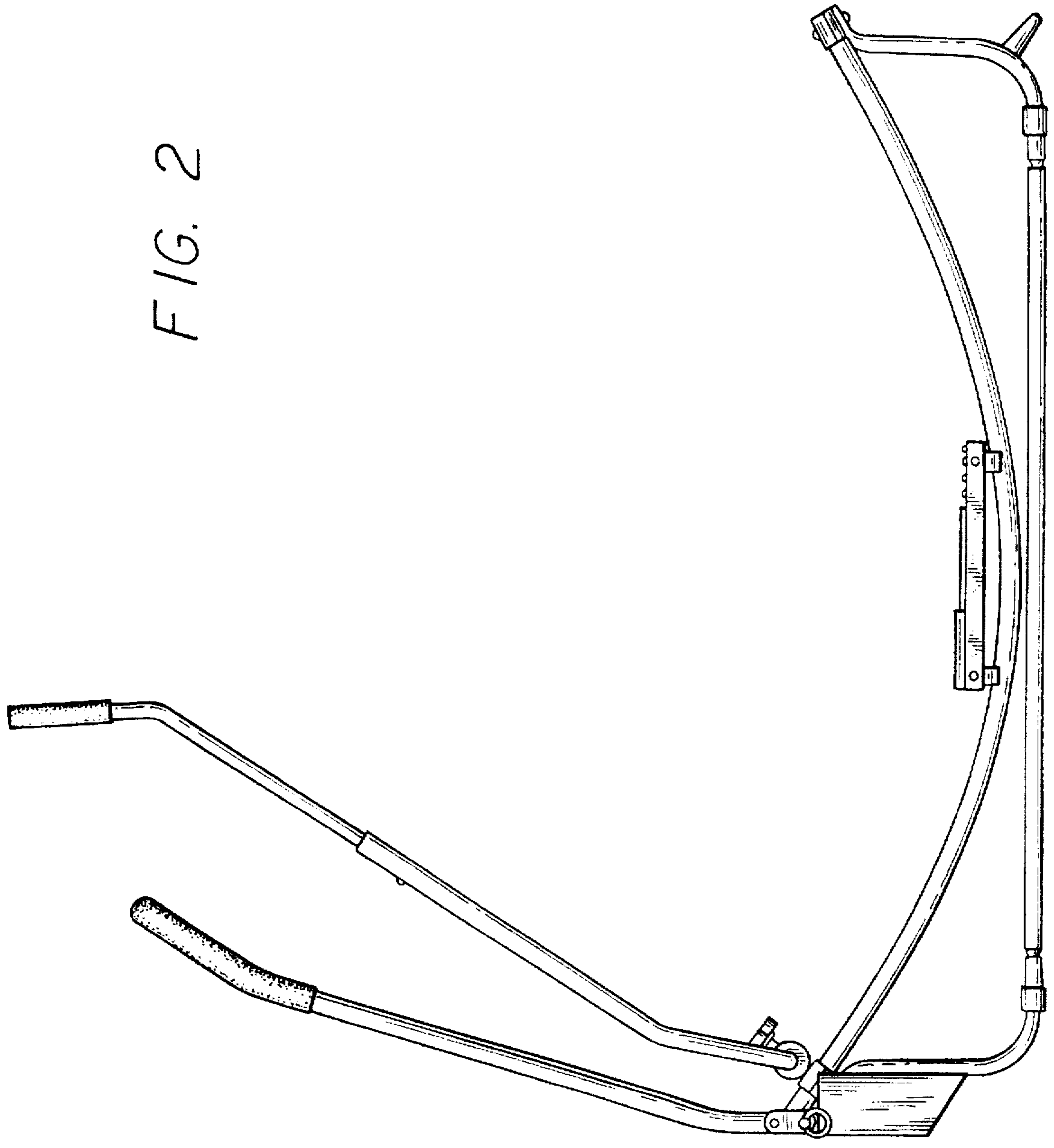


FIG. 1

FIG. 2



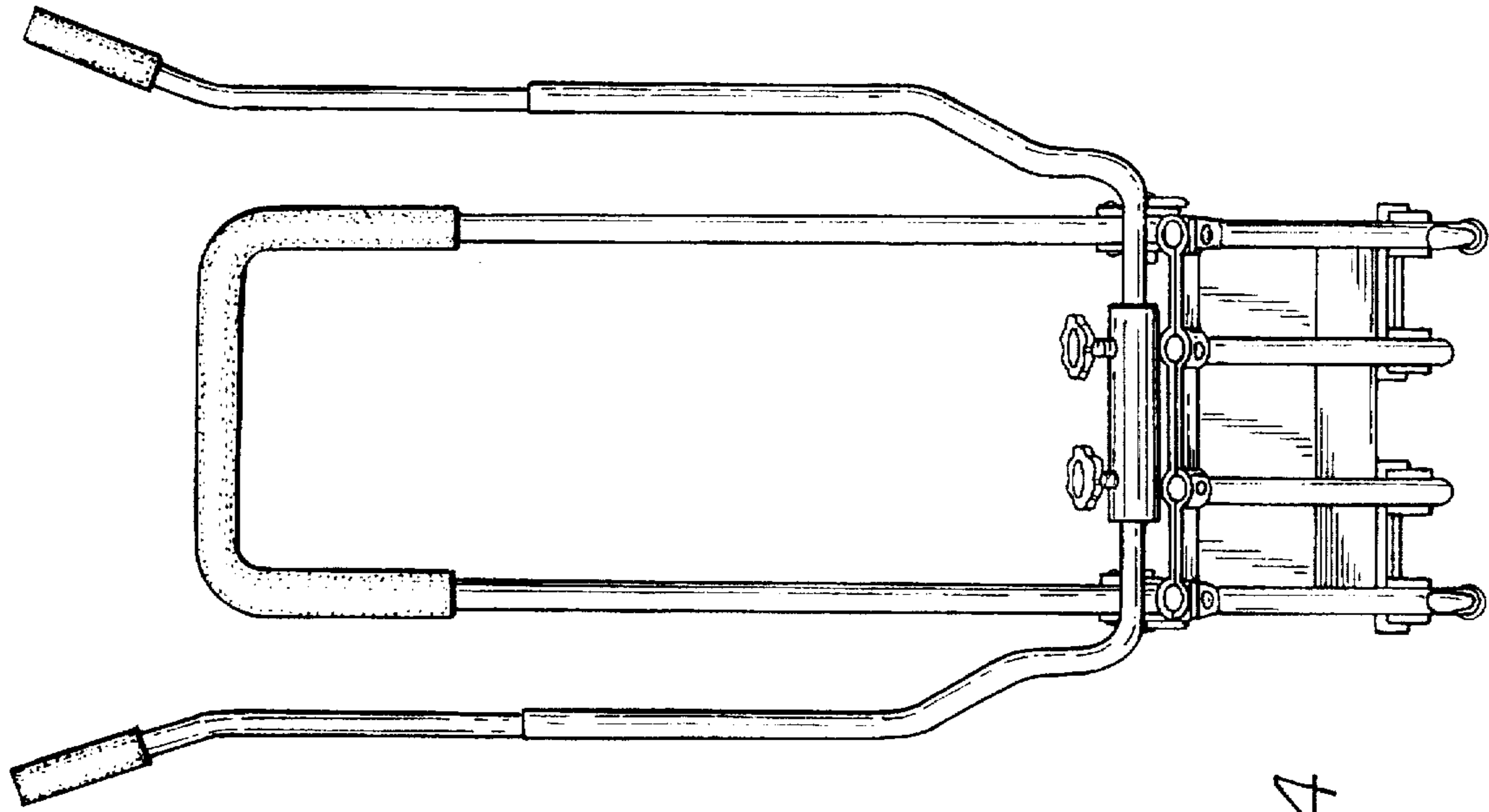


FIG. 3

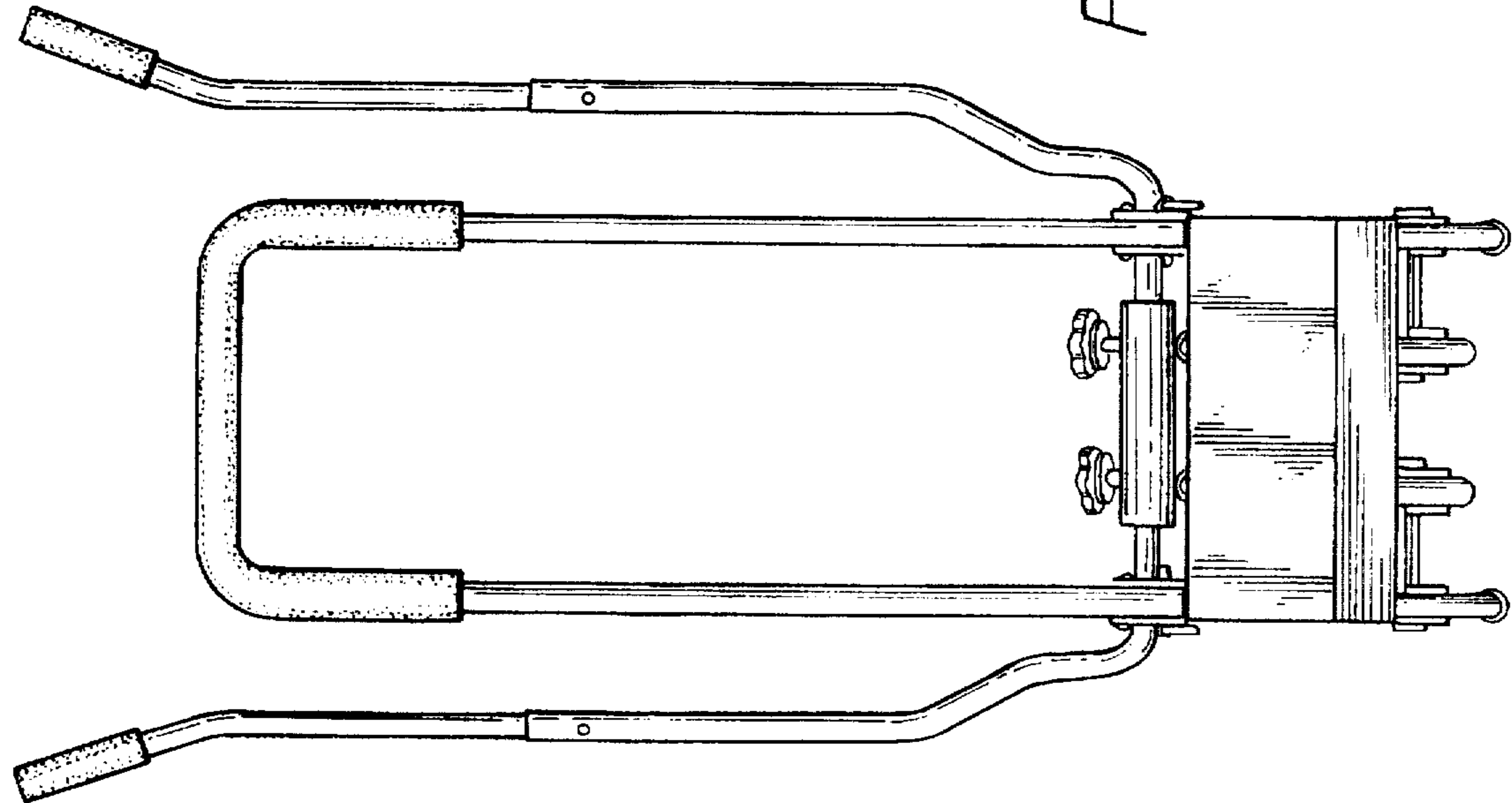


FIG. 4

FIG. 5

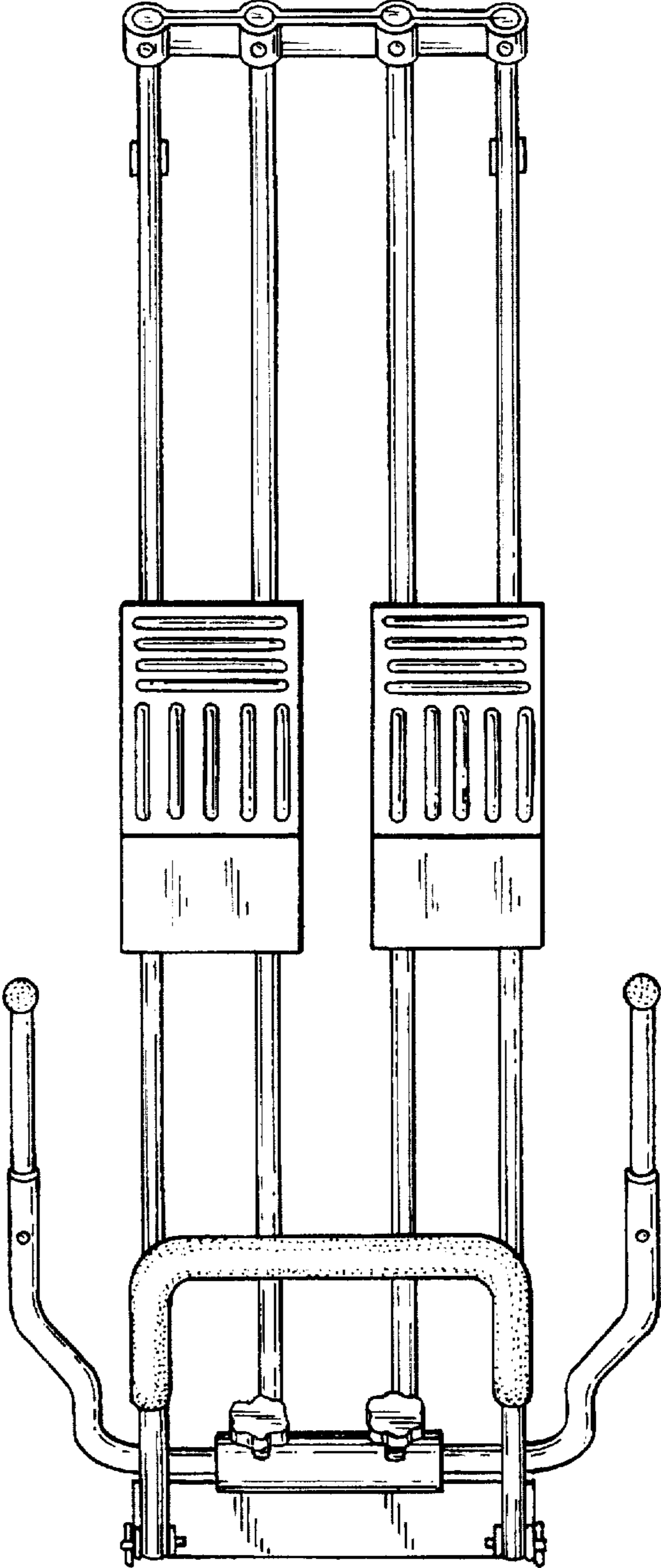


FIG. 6

