



US00D397744S

# United States Patent [19] Brummer

[11] Patent Number: Des. 397,744  
[45] Date of Patent: \*\*Sep. 1, 1998

### [54] DINOSAUR DESIGN

[76] Inventor: **Daryl J. Brummer**, 1704 W. Shore Dr.,  
Delafield, Wis. 53018

[\*\*] Term: **14 Years**

[21] Appl. No.: **64,154**

[22] Filed: **Dec. 23, 1996**

### Related U.S. Application Data

[62] Division of Ser. No. 29,448, Oct. 6, 1994, Pat. No. Des. 379,102.

[51] LOC (6) Cl. .... **21-01**

[52] U.S. Cl. .... **D21/148; D21/154**

[58] Field of Search ..... D21/108, 148,  
D21/150-152; 446/97, 268, 269, 279, 280,  
369; D6/345, 359

### [56] References Cited

#### U.S. PATENT DOCUMENTS

- D. 138,798 9/1944 Bunnell .
- D. 247,053 1/1978 Dawson .
- D. 281,261 11/1985 Stubbmann ..... D21/74
- D. 301,724 6/1989 Tohl ..... D21/74
- D. 326,125 5/1992 McCourtney ..... D21/148
- D. 339,385 9/1993 Reynolds ..... D21/71
- D. 339,386 9/1993 Reynolds ..... D21/71
- D. 342,980 1/1994 Patukonis ..... D21/148

- D. 348,157 6/1994 Amburgey et al. .... D6/345
- D. 352,531 11/1994 Rouille ..... D21/66
- D. 362,696 9/1995 Weemhoff ..... D21/148
- 1,731,926 10/1929 Hitchcock .

### OTHER PUBLICATIONS

Just for Kids! Halloween and Holiday Catalog, 1987, p. 11. Dinosaur, bottom.  
Folkman's Puppets 1994/95, p. 17. Triceratops Puppet, top. Playthings, May 5, 1980, p. 56, Dinosaur, top right.

*Primary Examiner*—Sandra L. Morris  
*Attorney, Agent, or Firm*—Andrus, Scales, Starke & Sawall

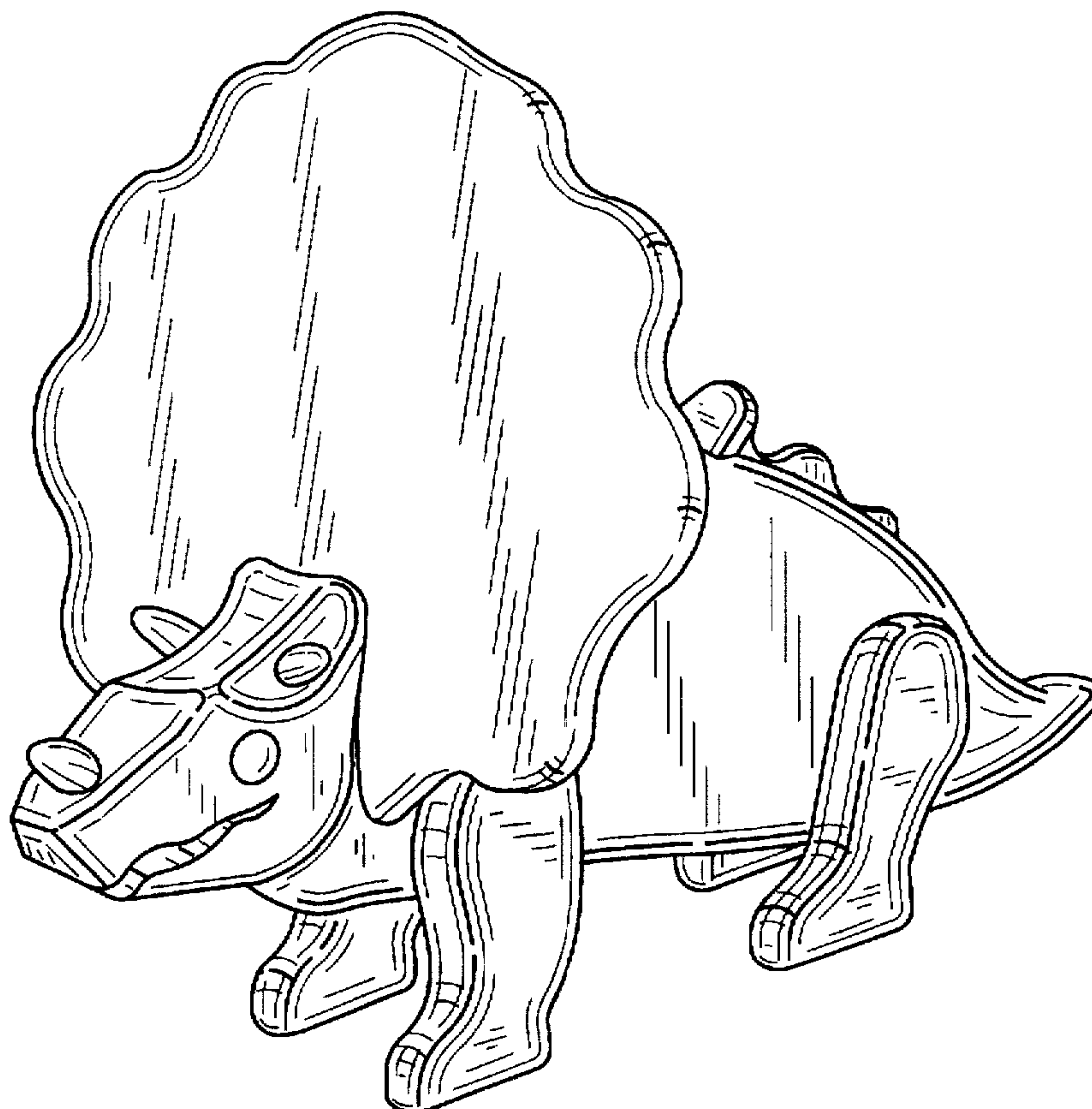
### [57] CLAIM

The ornamental design for a dinosaur design, as shown and described.

### DESCRIPTION

FIG. 1 is an isometric view illustrating a dinosaur design, showing my new design;  
FIG. 2 is a top plan view thereof;  
FIG. 3 is a left side elevation view thereof;  
FIG. 4 is a right side elevation view thereof;  
FIG. 5 is a front elevation view thereof, with the set of rockers illustrated in phantom; and,  
FIG. 6 is a rear elevation view thereof.  
FIGS. 2-6 are shown on an enlarged scale.

**1 Claim, 3 Drawing Sheets**



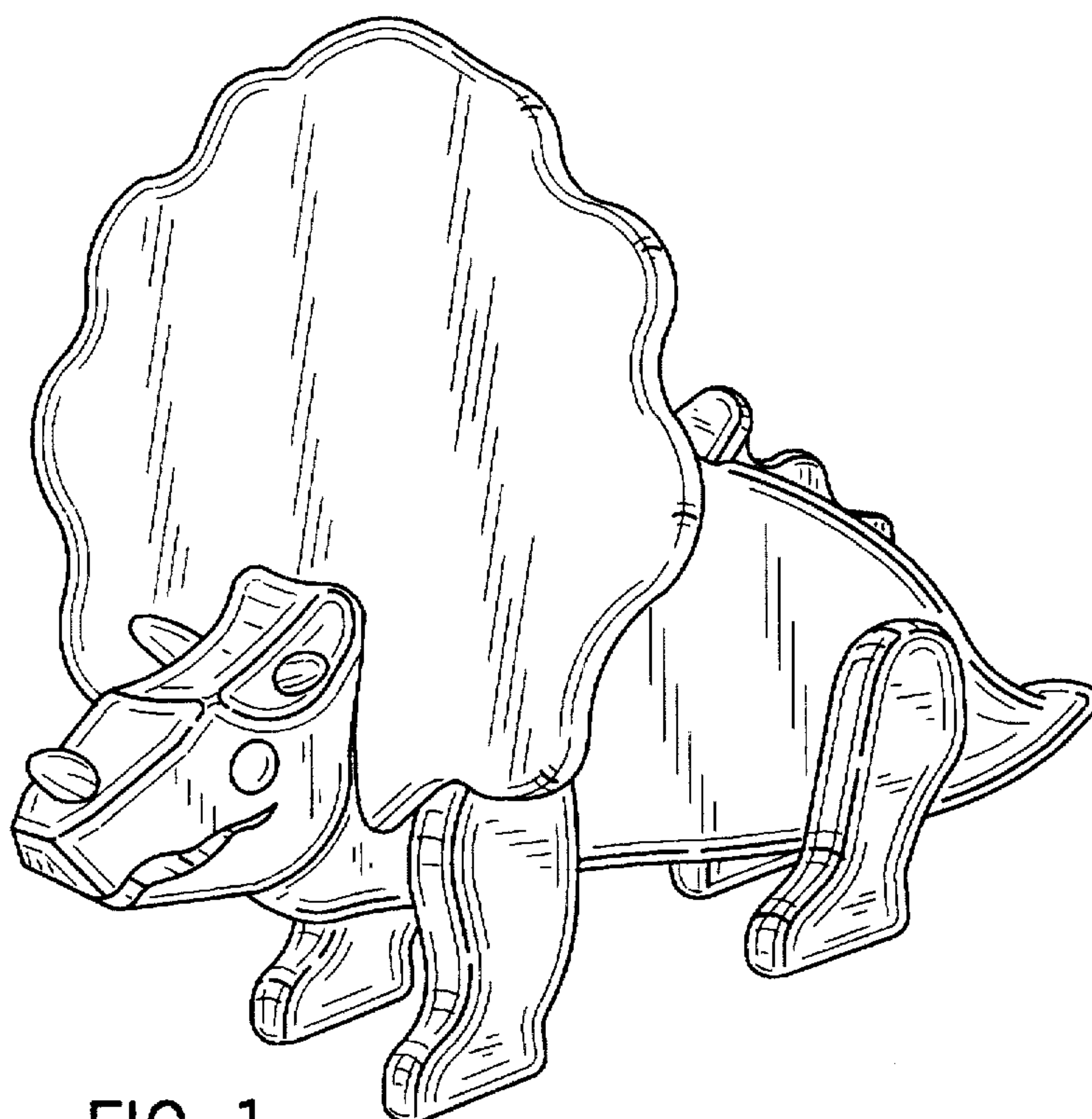


FIG. 1

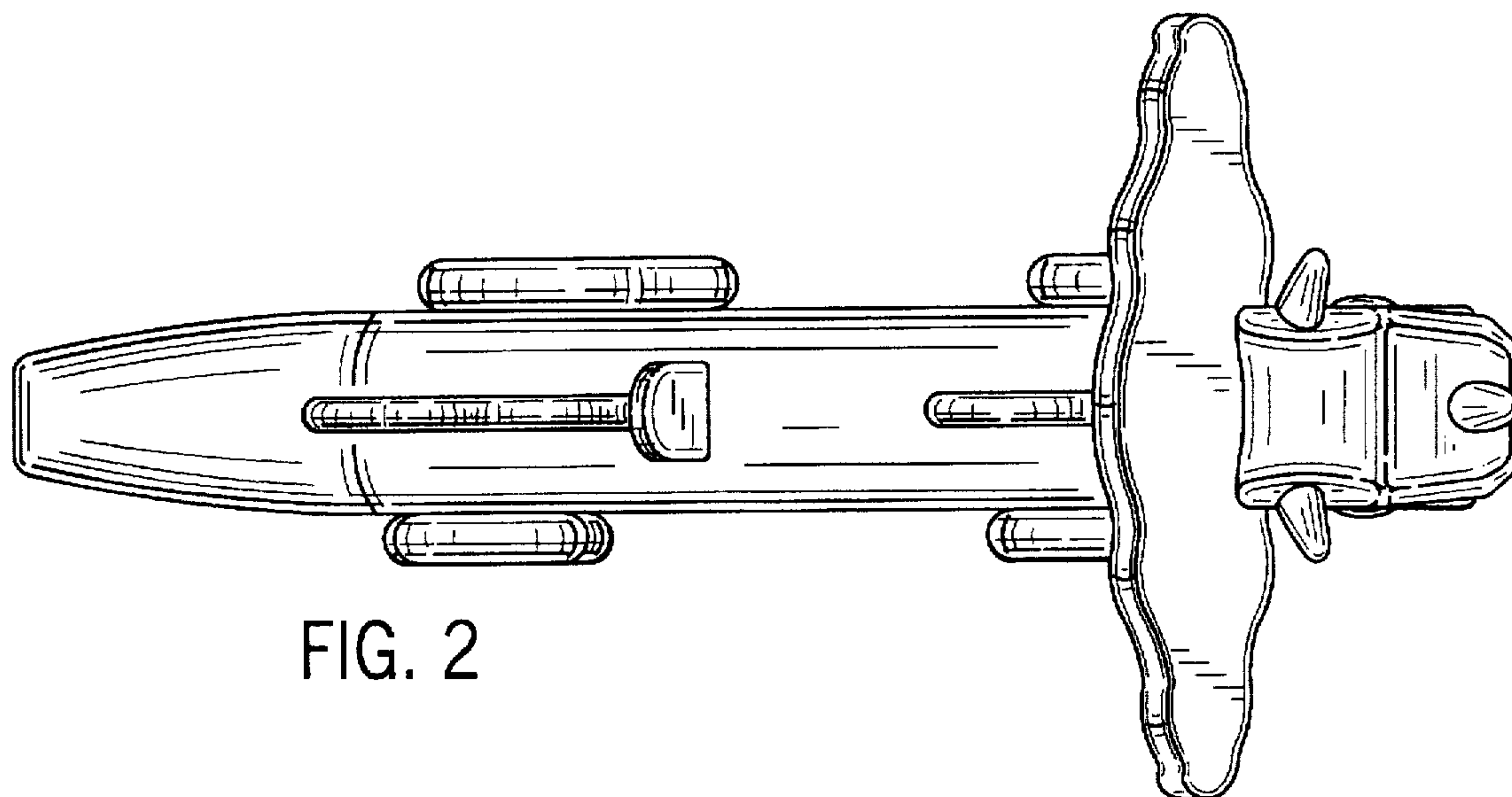


FIG. 2

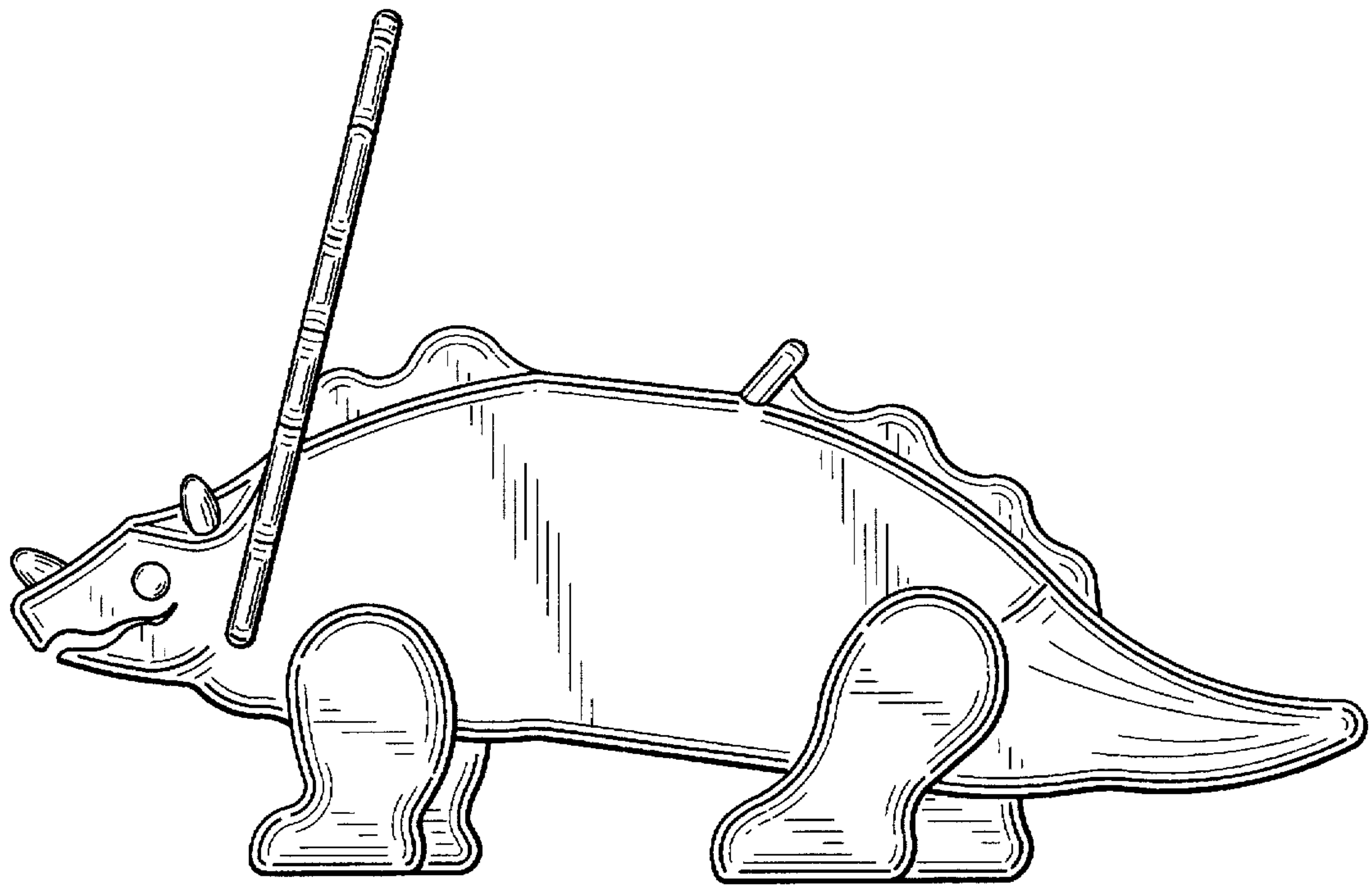


FIG. 3

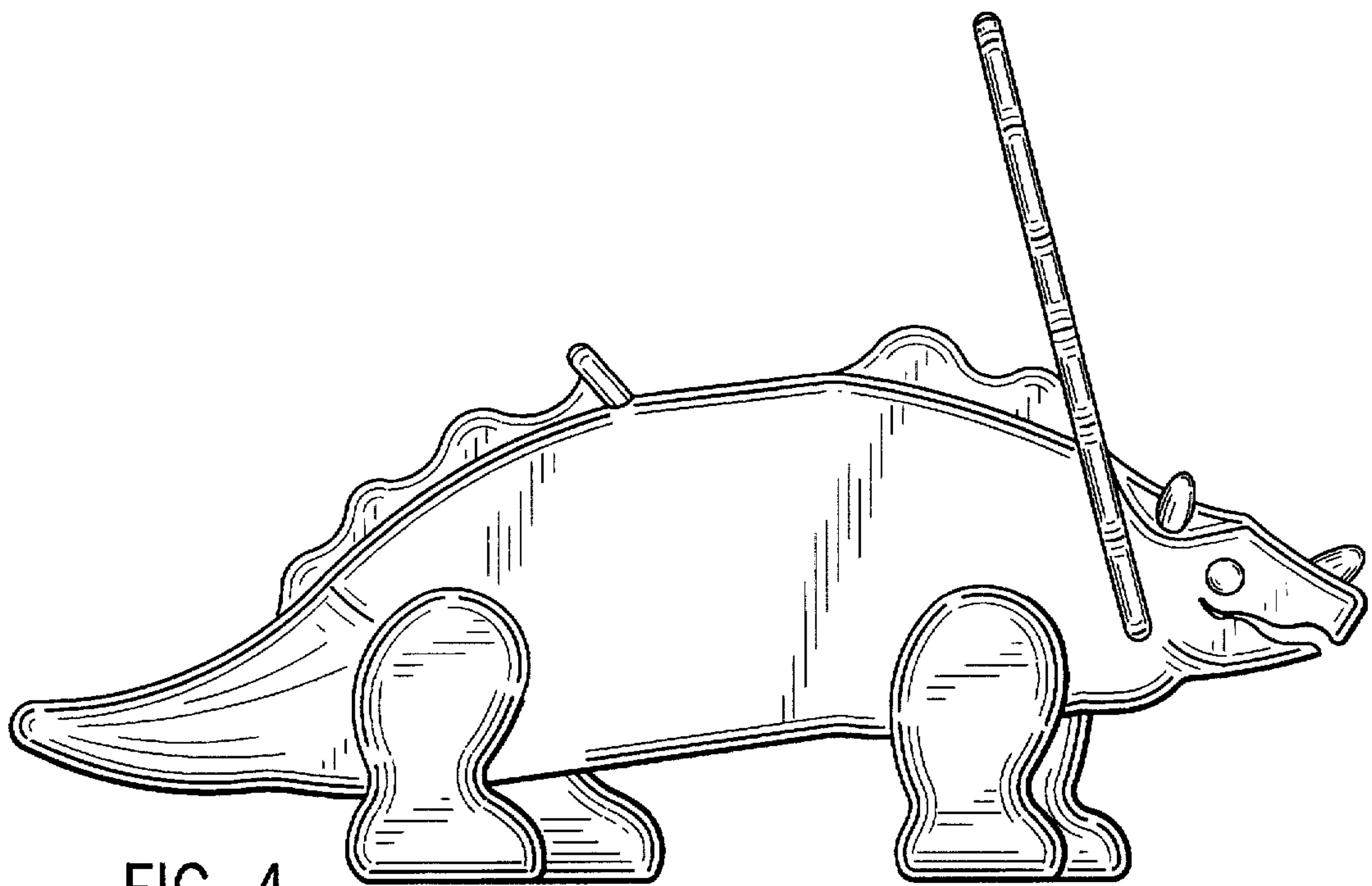


FIG. 4



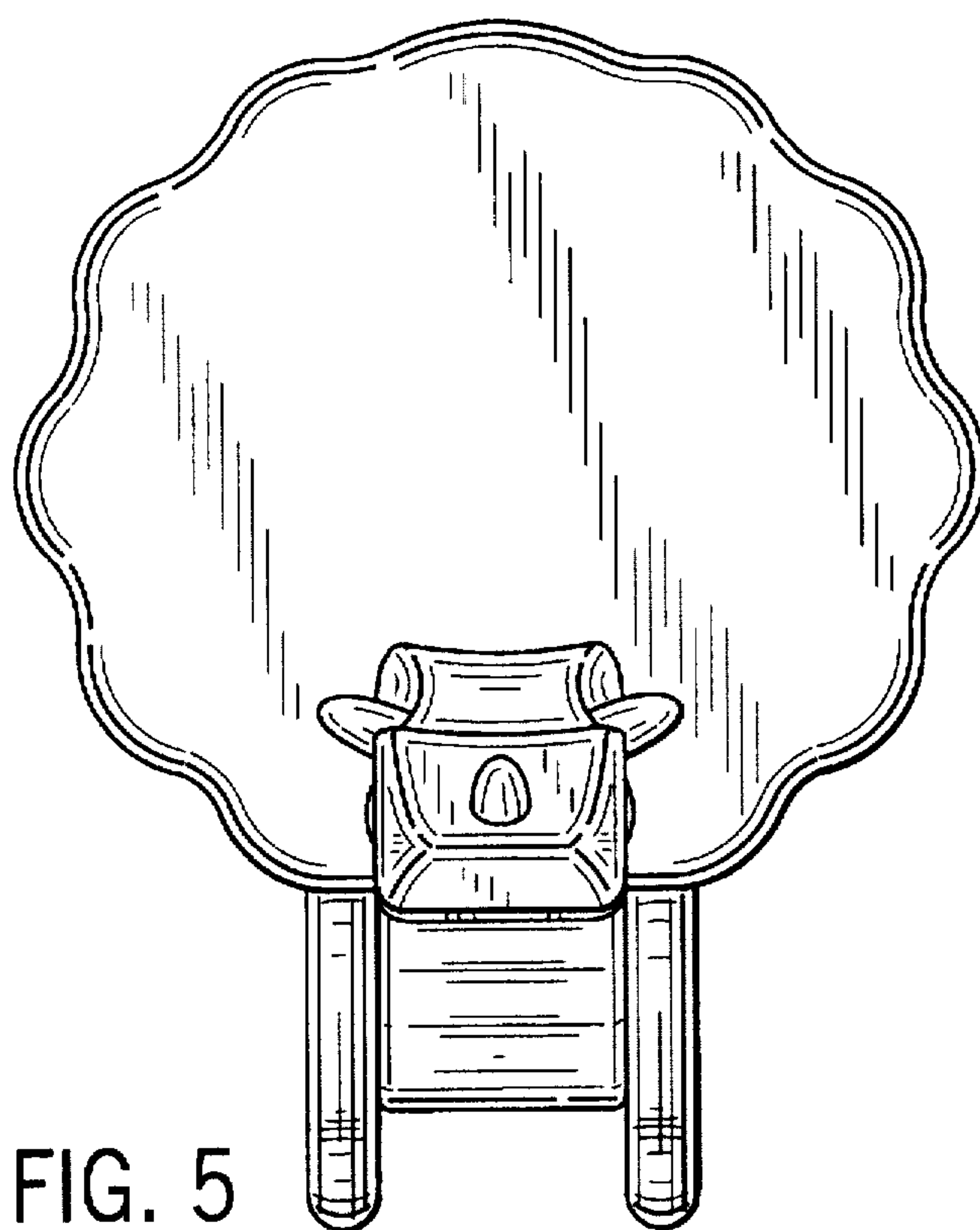


FIG. 5

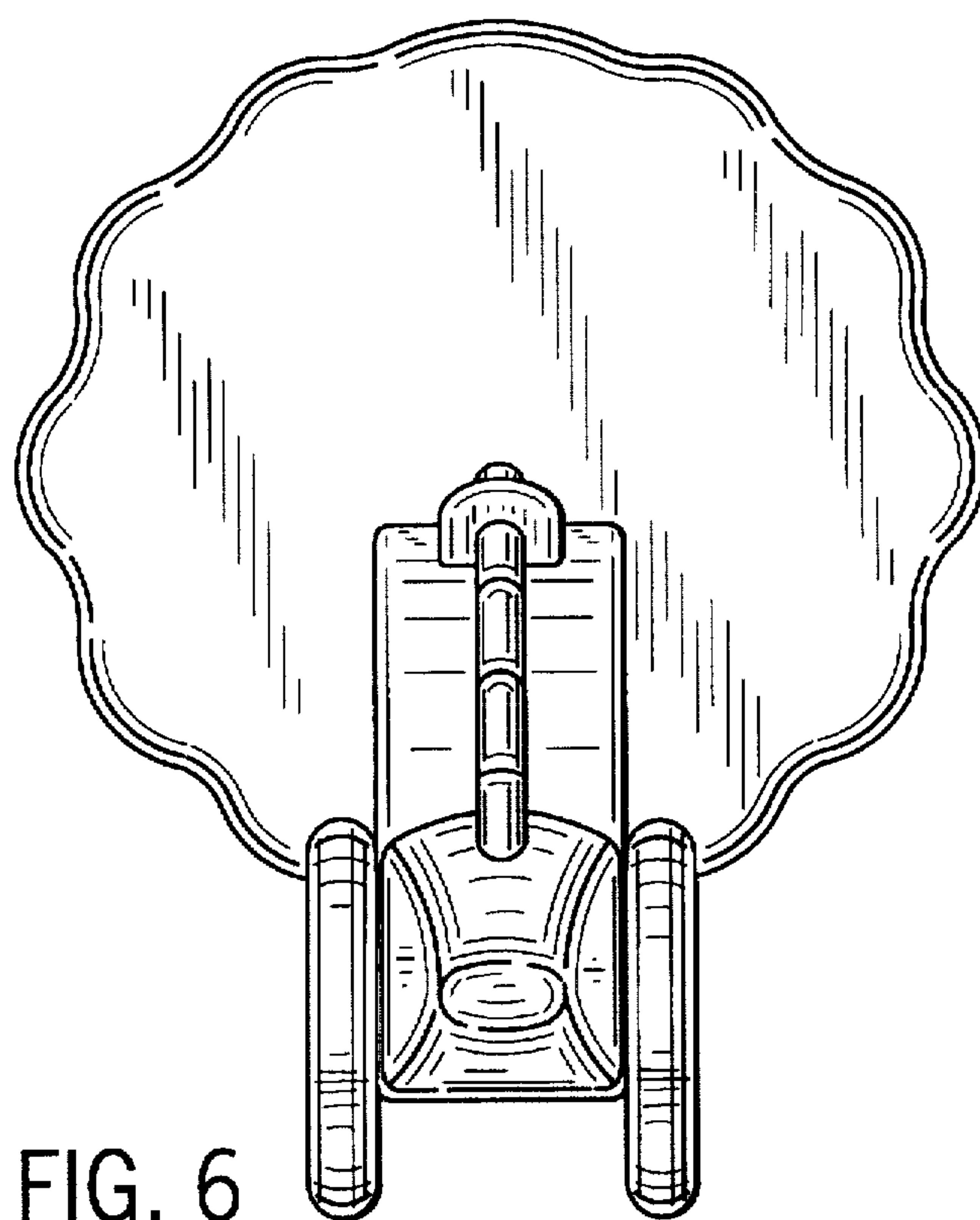


FIG. 6