



US00D397742S

**United States Patent** [19]  
**Jensen**

[11] **Patent Number:** **Des. 397,742**  
[45] **Date of Patent:** **\*\*Sep. 1, 1998**

[54] **TOY BUILDING TUBE**  
[75] **Inventor:** **Arne Egholm Jensen, Gentofte, Denmark**  
[73] **Assignee:** **INTERLEGO AG, Baar, Switzerland**  
[\*\*] **Term:** **14 Years**  
[21] **Appl. No.:** **76,849**  
[22] **Filed:** **Sep. 18, 1997**  
[51] **LOC (6) Cl.** ..... **21-01**  
[52] **U.S. Cl.** ..... **D21/108; D21/109**  
[58] **Field of Search** ..... **D21/108, 109; D23/259, 262; 446/85, 87, 89, 106, 107, 110, 120, 124, 126, 128, 77**

D. 384,987 10/1997 Schmidt ..... D21/108  
1,085,460 1/1914 Michaelis ..... 446/126  
3,640,018 2/1972 Light ..... 446/77  
3,924,348 12/1975 Taylor et al. .... 446/89  
4,642,063 2/1987 Gillette ..... 446/94  
5,690,446 11/1997 Poissant et al. .... 446/126

*Primary Examiner*—Raphael Barkai  
*Attorney, Agent, or Firm*—Kane, Dalsimer, Sullivan, Kurucz, Levy, Eisele and Richard, LLP

[57] **CLAIM**

The ornamental design for a toy building tube, as shown and described.

**DESCRIPTION**

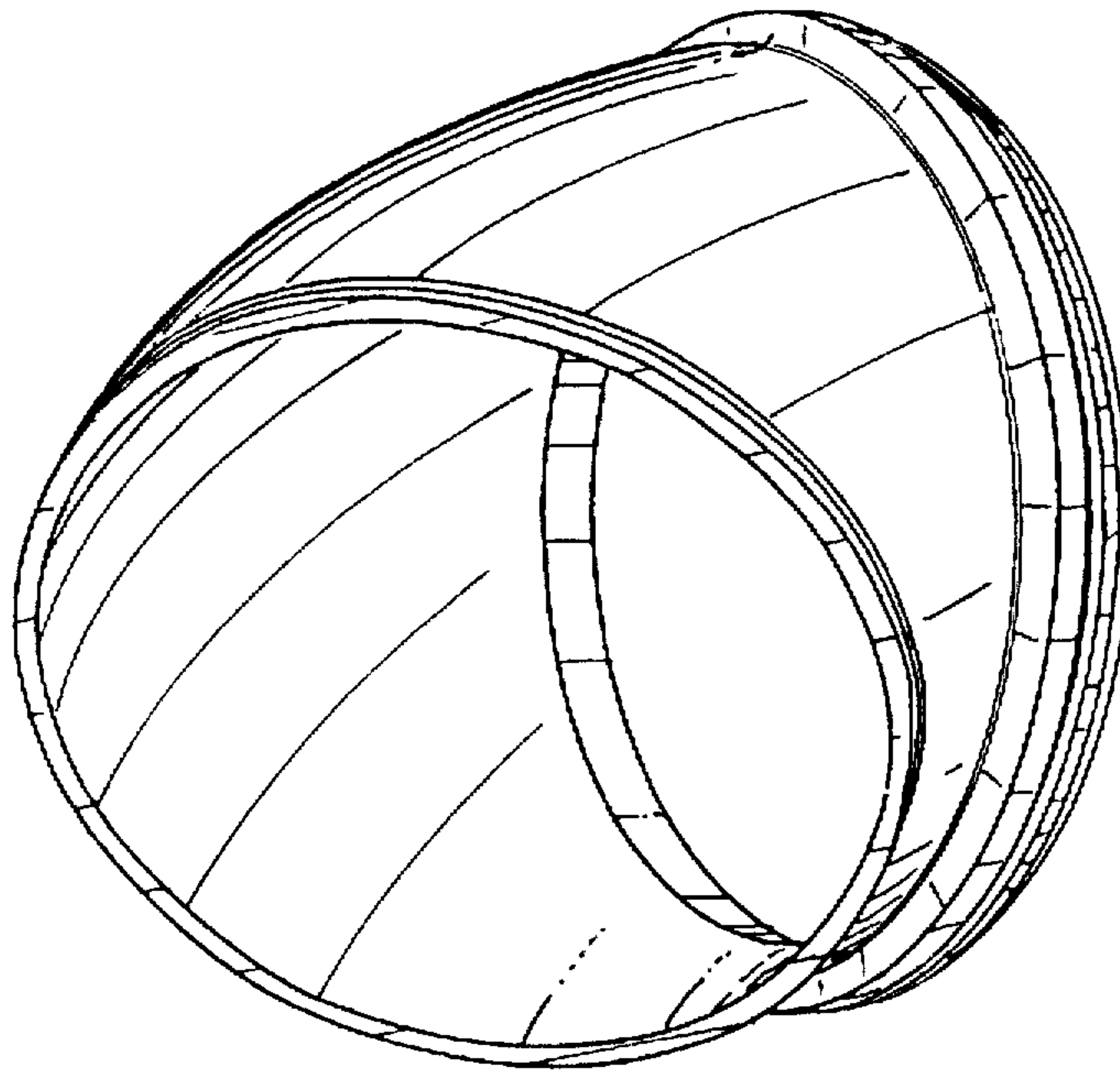
FIG. 1 is a top perspective view of the toy building tube; FIG. 2 is a bottom perspective view thereof; FIG. 3 is a front elevational view thereof; FIG. 4 is a right side elevational view thereof; FIG. 5 is a left side elevational view thereof; FIG. 6 is a rear elevational view thereof; FIG. 7 is a bottom plan view thereof; and, FIG. 8 is a top plan view thereof.

**1 Claim, 3 Drawing Sheets**

[56] **References Cited**

**U.S. PATENT DOCUMENTS**

D. 231,550 4/1974 Norman ..... D21/108  
D. 231,552 4/1974 Norman ..... D21/108  
D. 361,829 8/1995 Sonden et al. .... D23/262  
D. 362,300 9/1995 Sonden et al. .... D23/262  
D. 373,153 8/1996 Madsen ..... D21/108



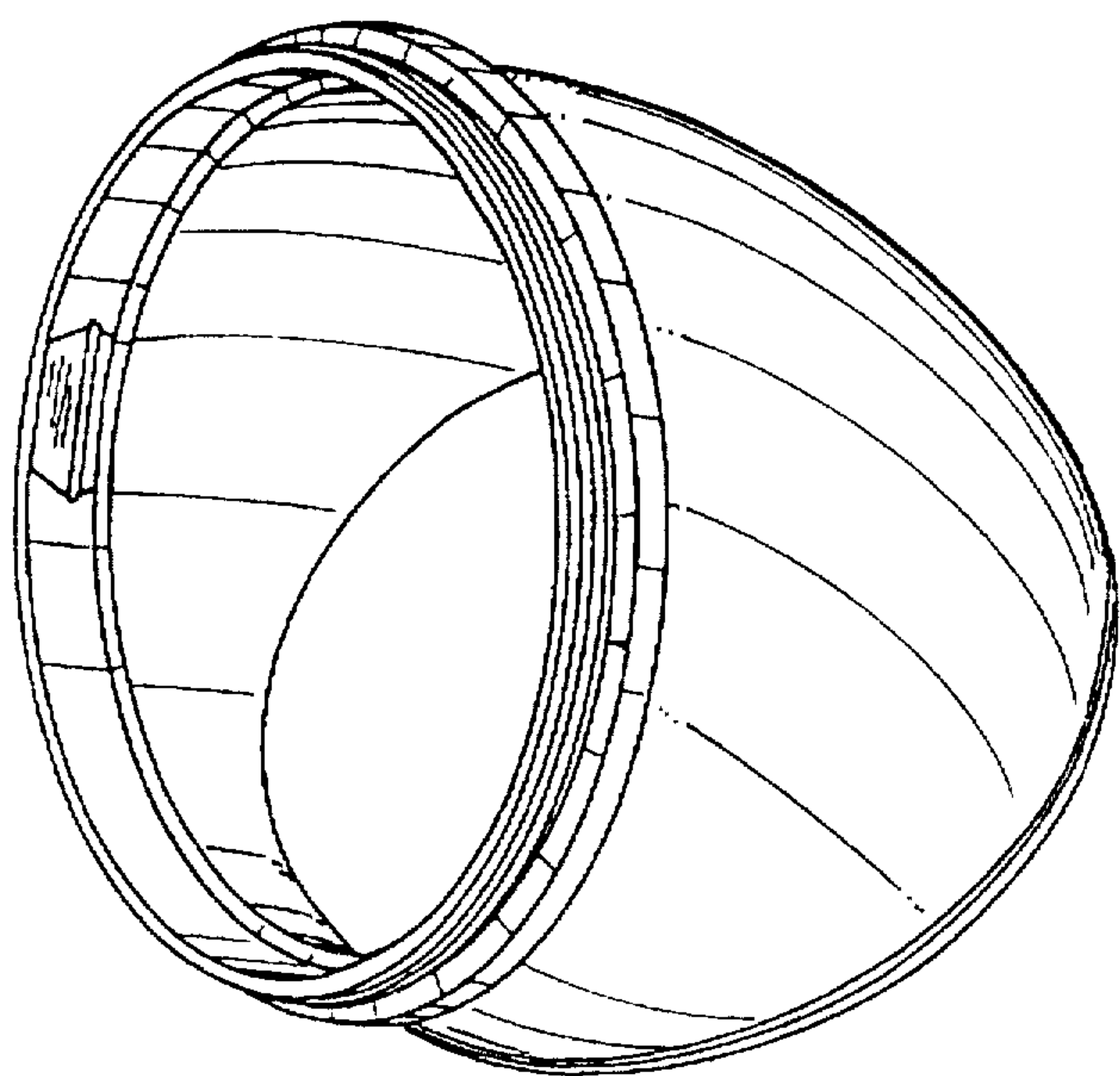


Fig. 2

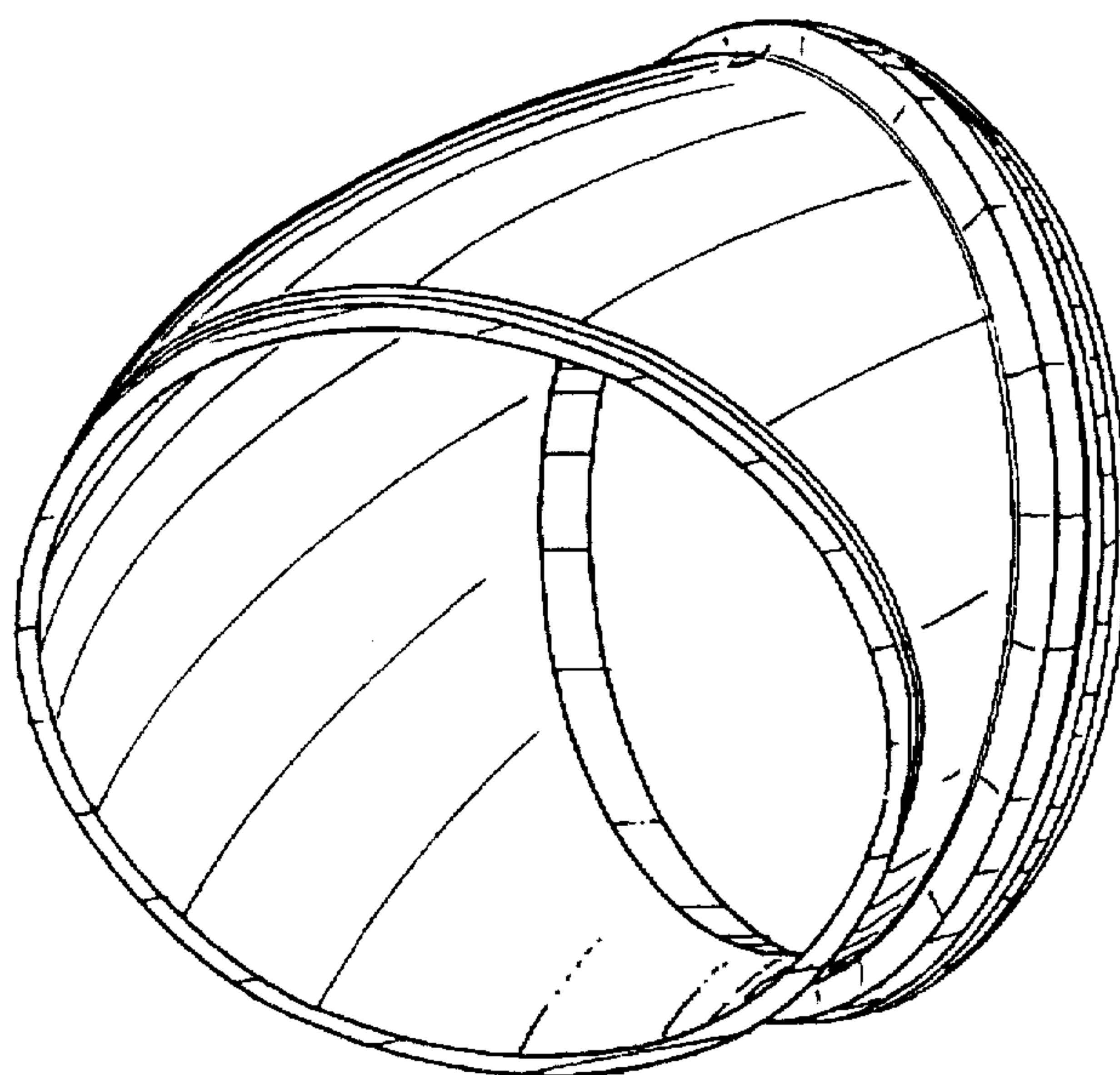
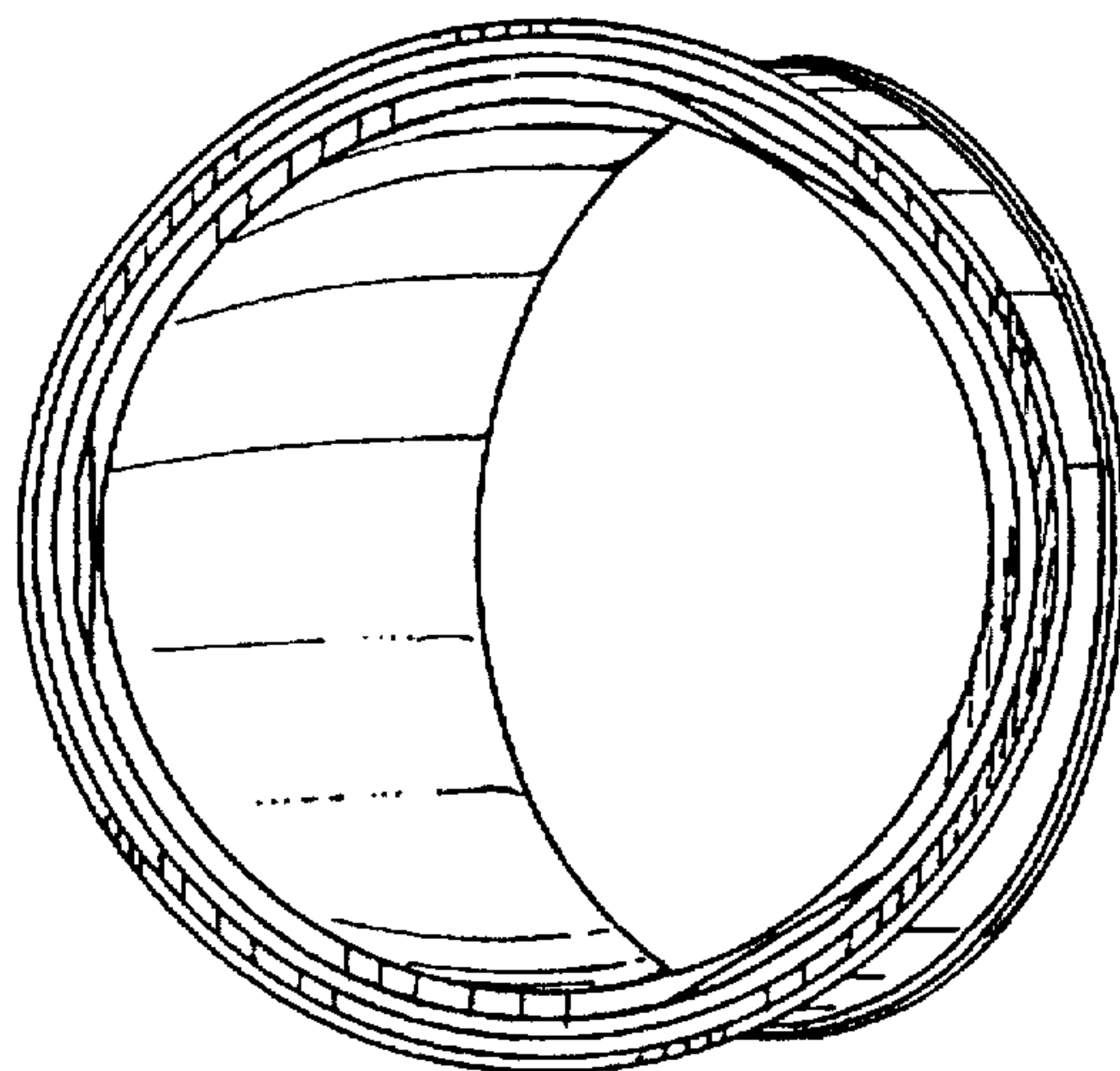
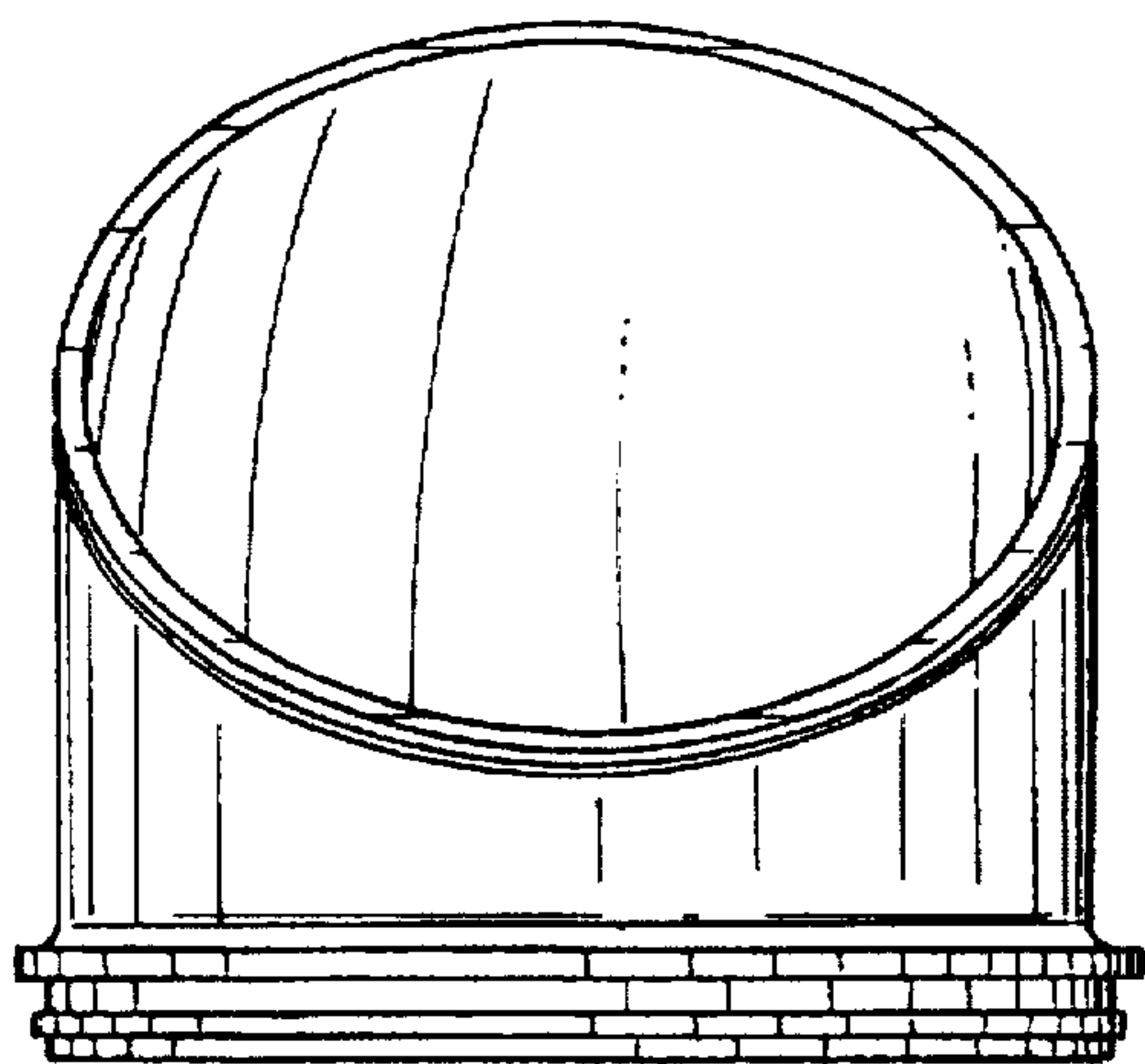


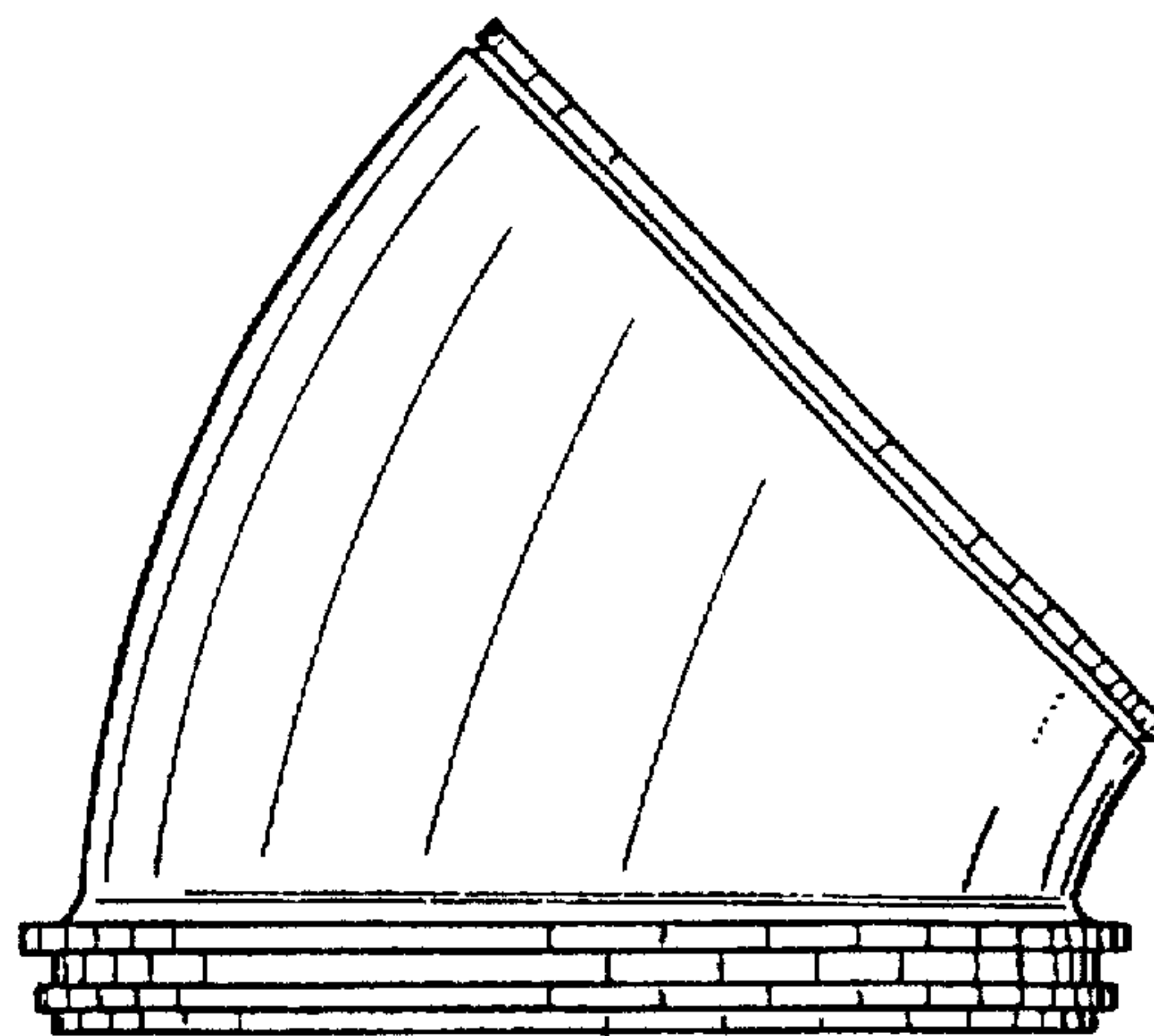
Fig. 1



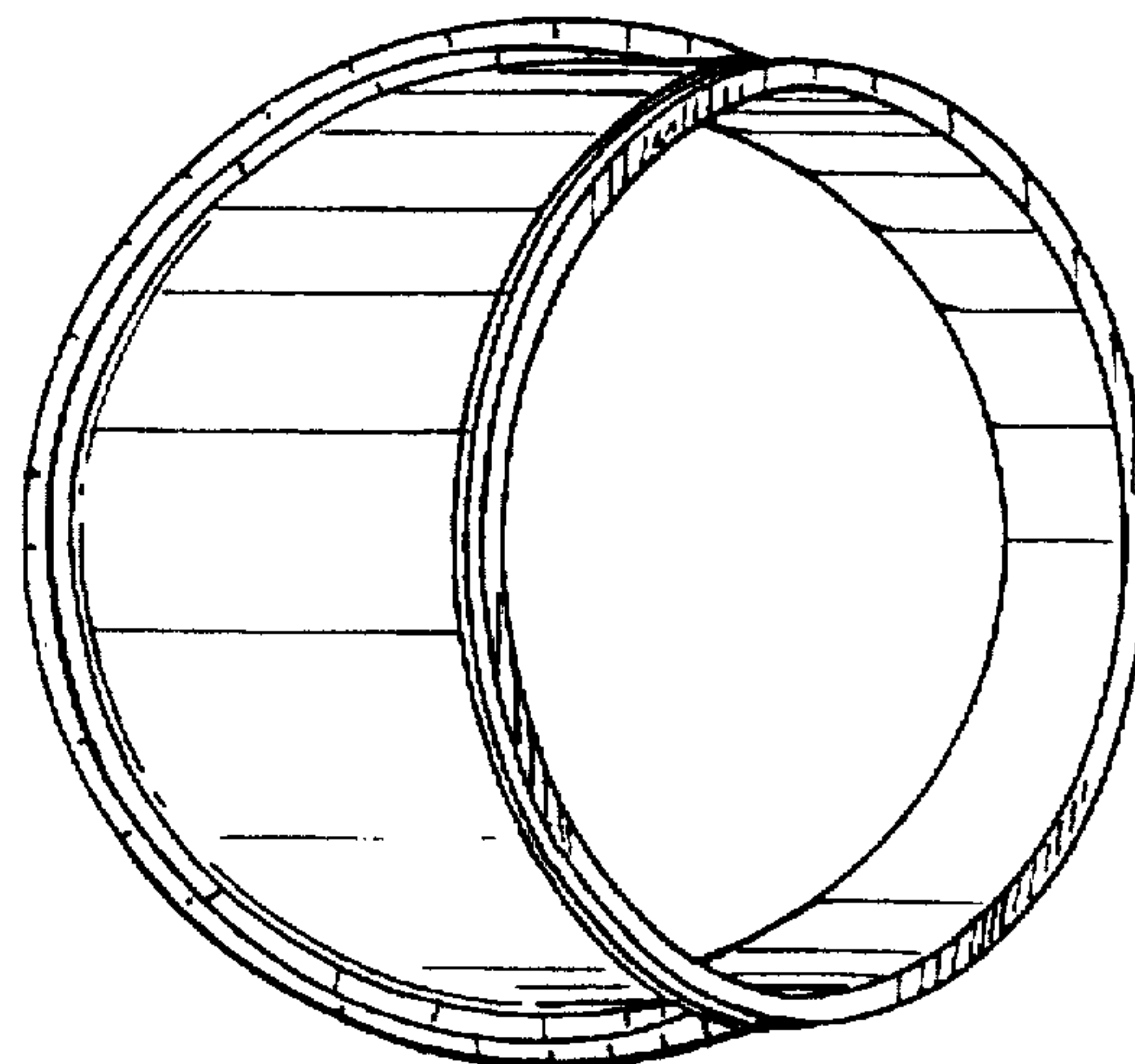
**Fig. 7**



**Fig. 3**



**Fig. 5**



**Fig. 8**

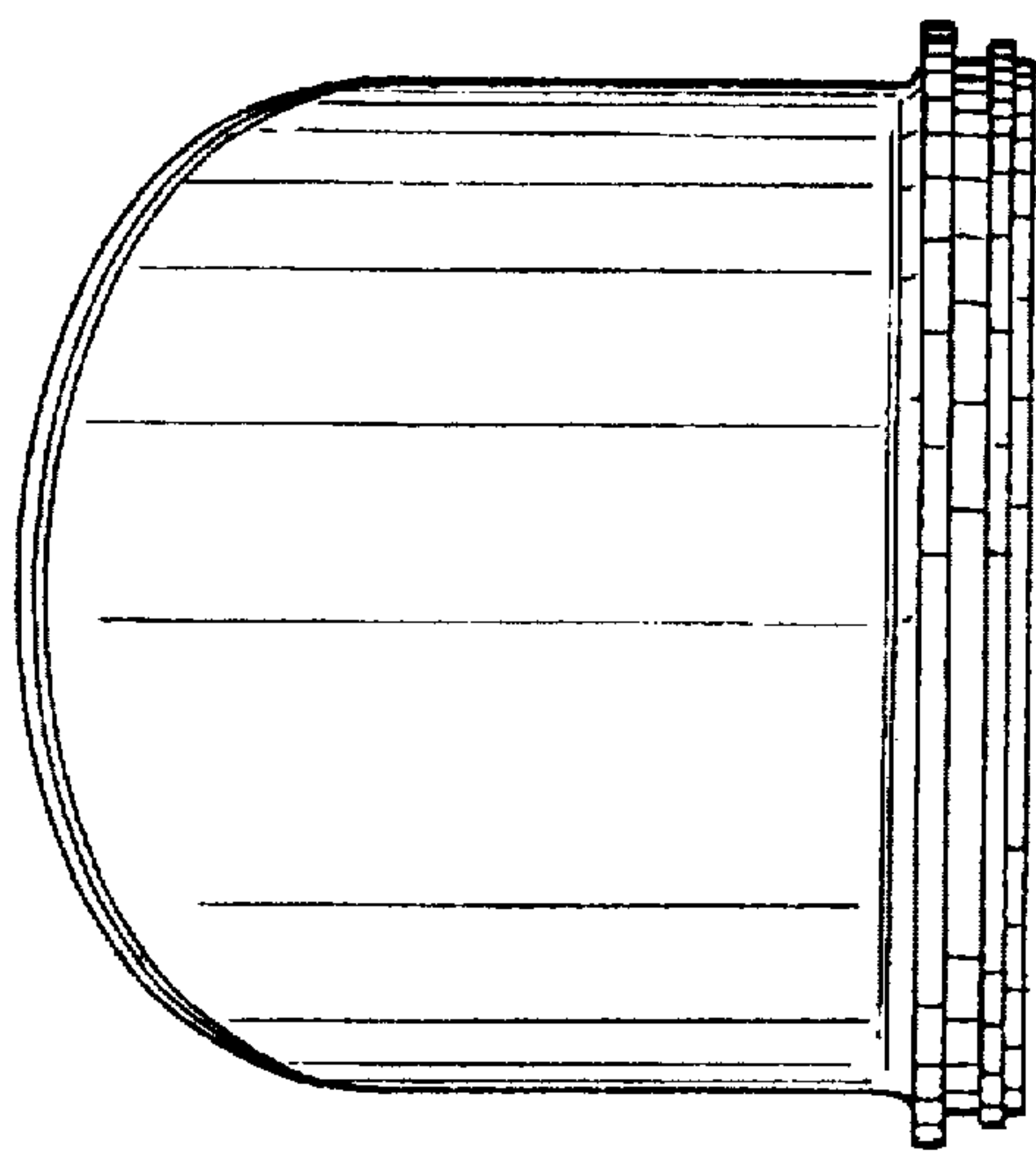


Fig. 6

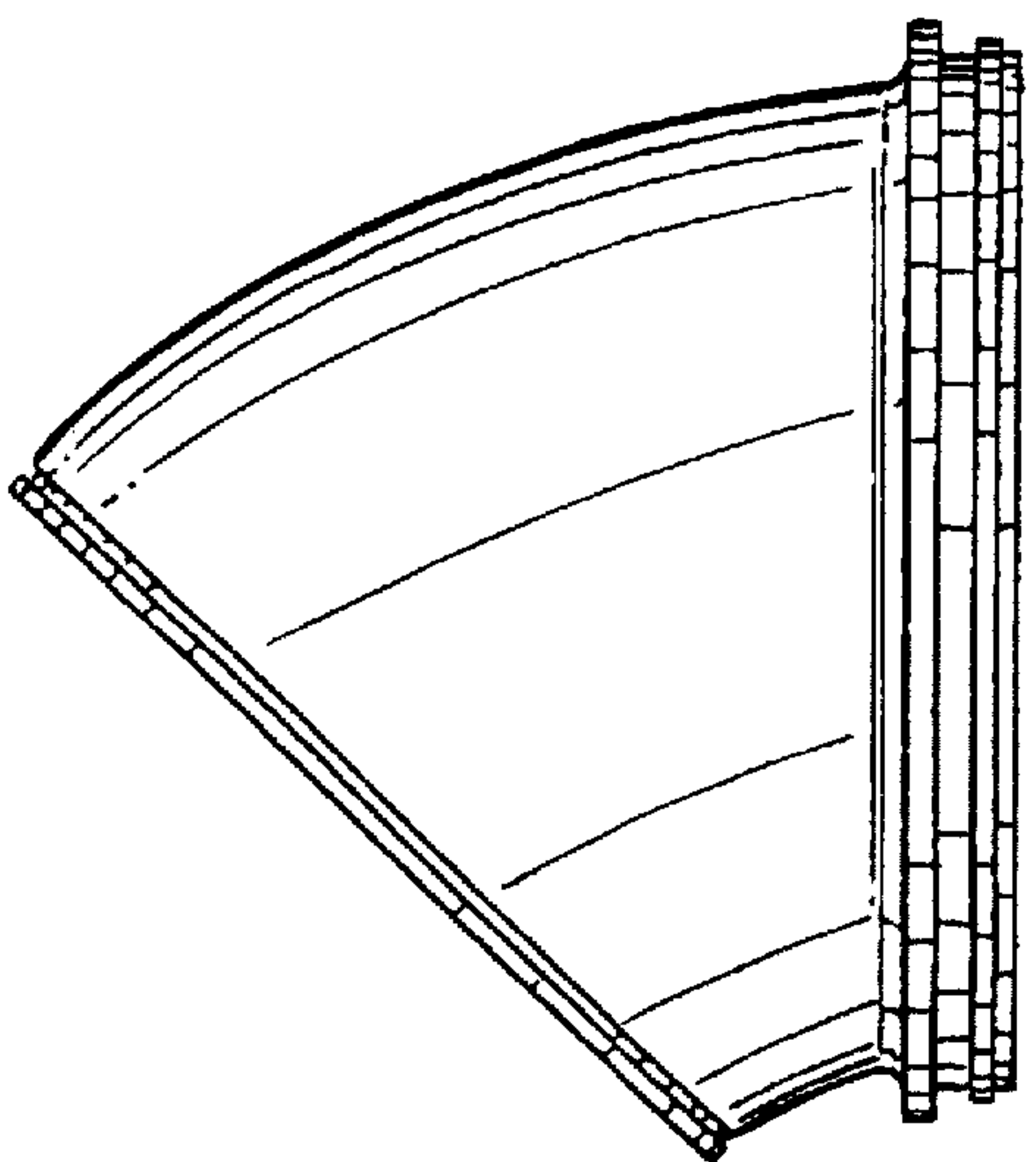


Fig. 4