



US00D397737S

United States Patent [19]
Harrod

[11] **Patent Number:** **Des. 397,737**
[45] **Date of Patent:** ****Sep. 1, 1998**

[54] **CHILDREN'S RIDE-ON TOY VEHICLE**
[75] **Inventor:** **Lawrence R. Harrod, Fort Wayne, Ind.**
[73] **Assignee:** **Mattel, Inc., El Segundo, Calif.**
[**] **Term:** **14 Years**

D. 312,488 11/1990 Kwan D21/134
D. 314,997 2/1991 Harrod .
D. 322,998 1/1992 Harrod .
D. 327,512 6/1992 Harrod .
D. 328,317 7/1992 Harrod .
D. 366,071 1/1996 Harrod .
2,973,220 2/1961 White .
3,116,073 12/1963 Ott et al. .
3,566,536 3/1971 Baynes et al. .

[21] **Appl. No.:** **64,447**
[22] **Filed:** **Dec. 31, 1996**

(List continued on next page.)

[51] **LOC (6) Cl.** **21-01**
[52] **U.S. Cl.** **D21/78**
[58] **Field of Search** D21/71-81, 128,
D21/131, 132-141; D12/87, 88; 446/424,
425, 427, 433, 440, 454, 456, 457, 462,
465, 470; 280/1.13, 828, 87.01, 87.021,
47.11

FOREIGN PATENT DOCUMENTS

536040 11/1955 Italy .

OTHER PUBLICATIONS

Playthings Catalog, 1976, p. 271.
Tomy Catalog, 1984, p. 9.
Tonka Turns Toward Tomorrow Catalog, 1984, pp. 10 and 16.
Sears Wish Book, 1985, p. 572.
Just For Kids, Fall 1990, p. 34.
Power Wheels 1991 Catalog, pp. 8, 12, 15, 21-23.
Power Wheels 1994 Catalog, pp. 4, 6-14, 17-23.
Fisher-Price 1996 Pre-Toyfair Catalog, pp. 61-63.
Fisher-Price Toyfair 1996 Catalog, p. 88.

[56] **References Cited**

U.S. PATENT DOCUMENTS

D. 58,255 6/1921 Phillips .
D. 176,157 11/1955 Scanland .
D. 189,582 1/1961 Gurr .
D. 222,755 12/1971 Michael .
D. 227,492 6/1973 Wood .
D. 227,921 7/1973 Tachi .
D. 230,970 3/1974 Loiselle .
D. 244,101 4/1977 Goldberg .
D. 254,262 2/1980 Swearingen .
D. 261,784 11/1981 Fisher .
D. 271,315 11/1983 Nottingham et al. .
D. 272,166 1/1984 Orenstein .
D. 276,034 10/1984 Makita et al. .
D. 277,494 2/1985 Lerch D21/134
D. 279,913 7/1985 Matsuhira .
D. 281,000 10/1985 Kund et al. D21/137
D. 281,793 12/1985 Harrod .
D. 285,466 9/1986 Ohno .
D. 285,947 9/1986 Blumenthal .
D. 292,009 9/1987 Harrod .
D. 299,663 1/1989 Harrod .
D. 299,666 1/1989 Harrod .
D. 301,265 5/1989 Ishizawa .
D. 307,609 5/1990 Harrod .
D. 307,610 5/1990 Harrod .
D. 311,760 10/1990 Harrod .

Primary Examiner—Raphael Barkai
Attorney, Agent, or Firm—Kolisch, Hartwell, Dickinson, McCormack & Heuser

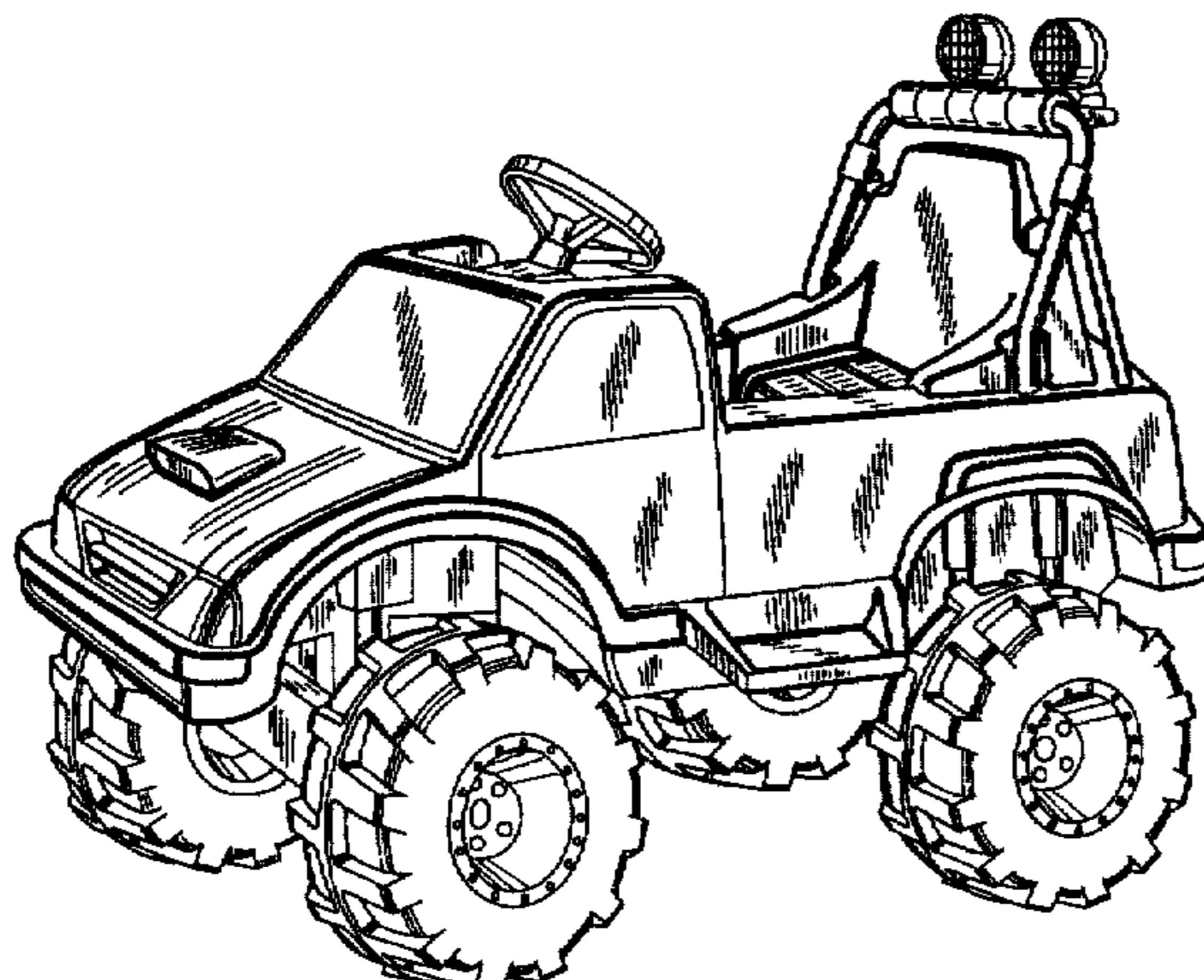
[57] **CLAIM**

The ornamental design for a children's ride-on toy vehicle, as shown and described.

DESCRIPTION

FIG. 1 is a perspective view of a children's ride-on toy vehicle showing my new design;
FIG. 2 is a side elevational view thereof, the opposite side being a mirror image thereof;
FIG. 3 is a front elevational view thereof;
FIG. 4 is a rear elevational view thereof;
FIG. 5 is a top plan view thereof; and,
FIG. 6 is a bottom plan view thereof.

1 Claim, 3 Drawing Sheets



U.S. PATENT DOCUMENTS				
		4,513,981	4/1985	DeGraaff et al. .
		4,575,355	3/1986	Lee et al. .
3,703,785	11/1972	4,695,266	9/1987	Hui 446/454
4,453,763	6/1984	4,709,958	12/1987	Harrod .
4,457,098	7/1984	5,228,880	7/1993	Meyer et al. 446/465
				Tsuzuki 446/440

FIG. 1

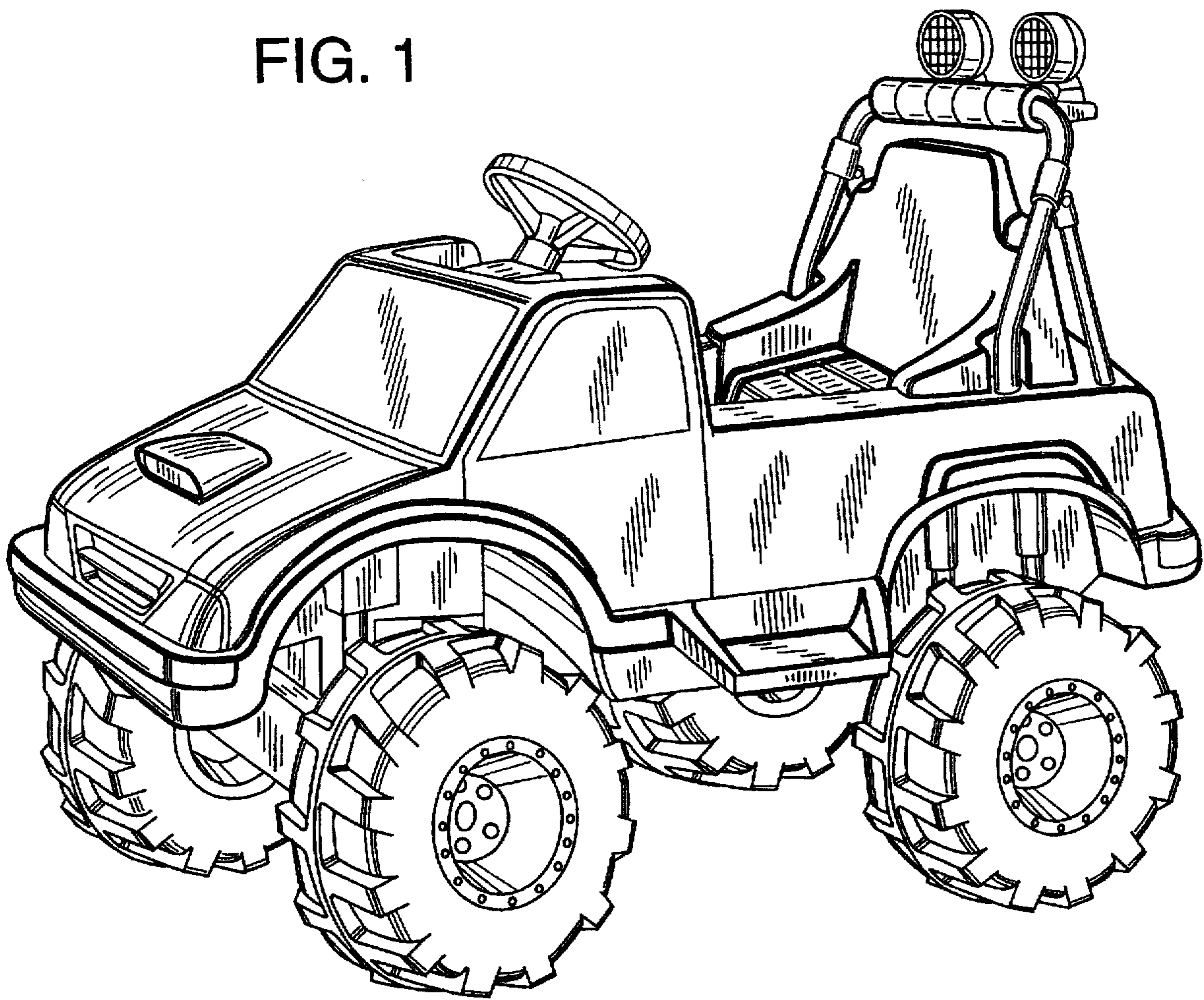


FIG. 2

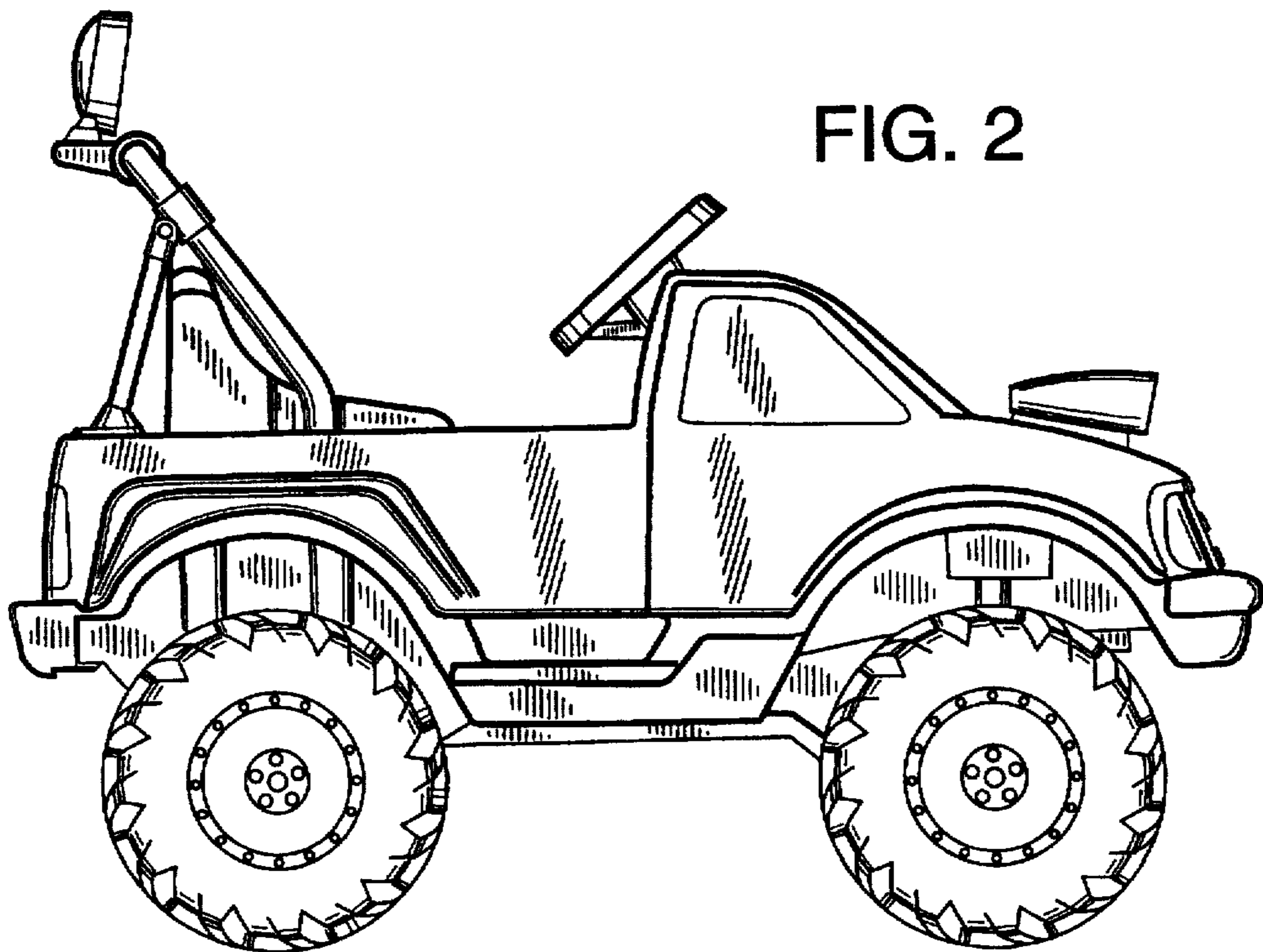


FIG. 3

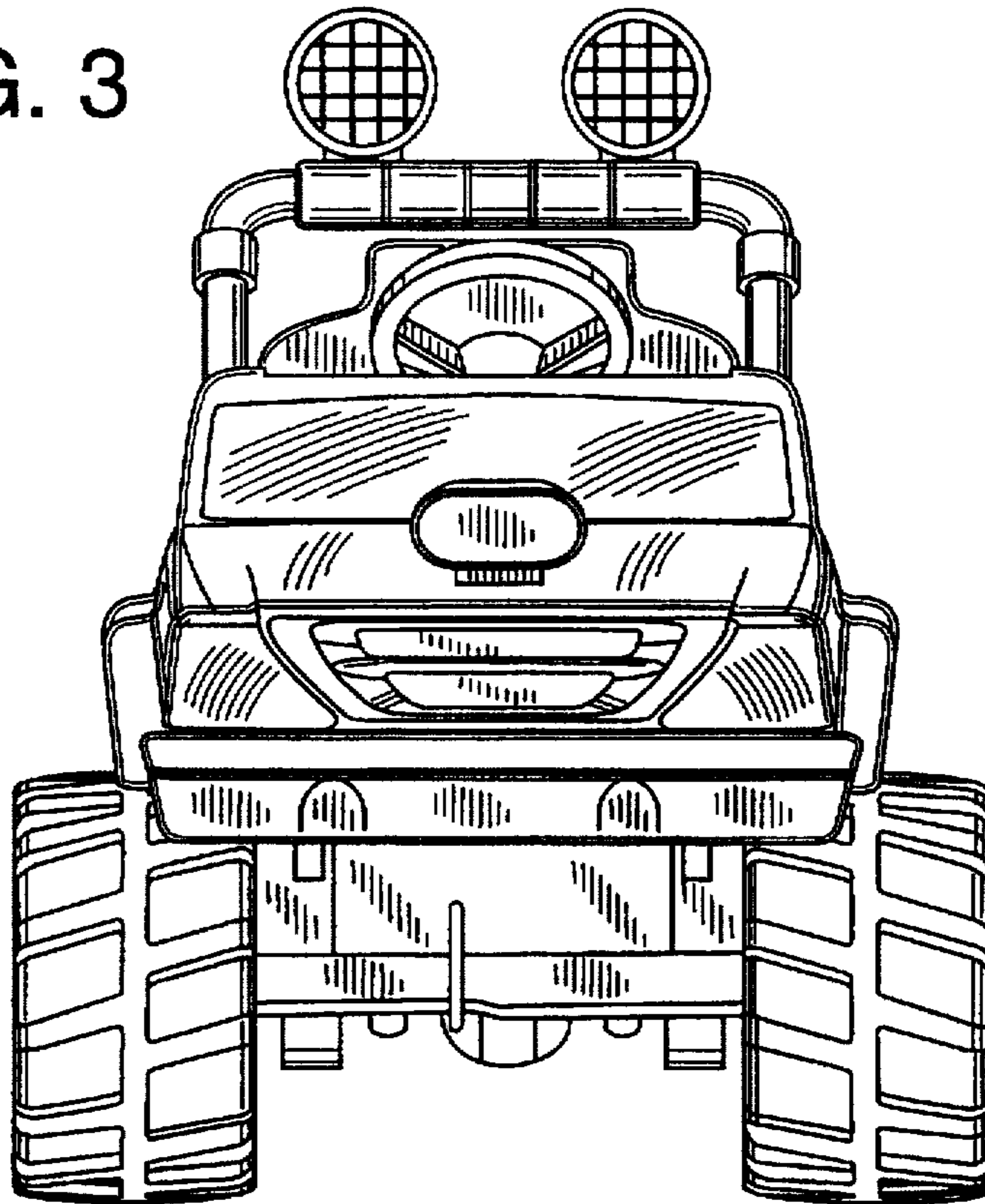


FIG. 4

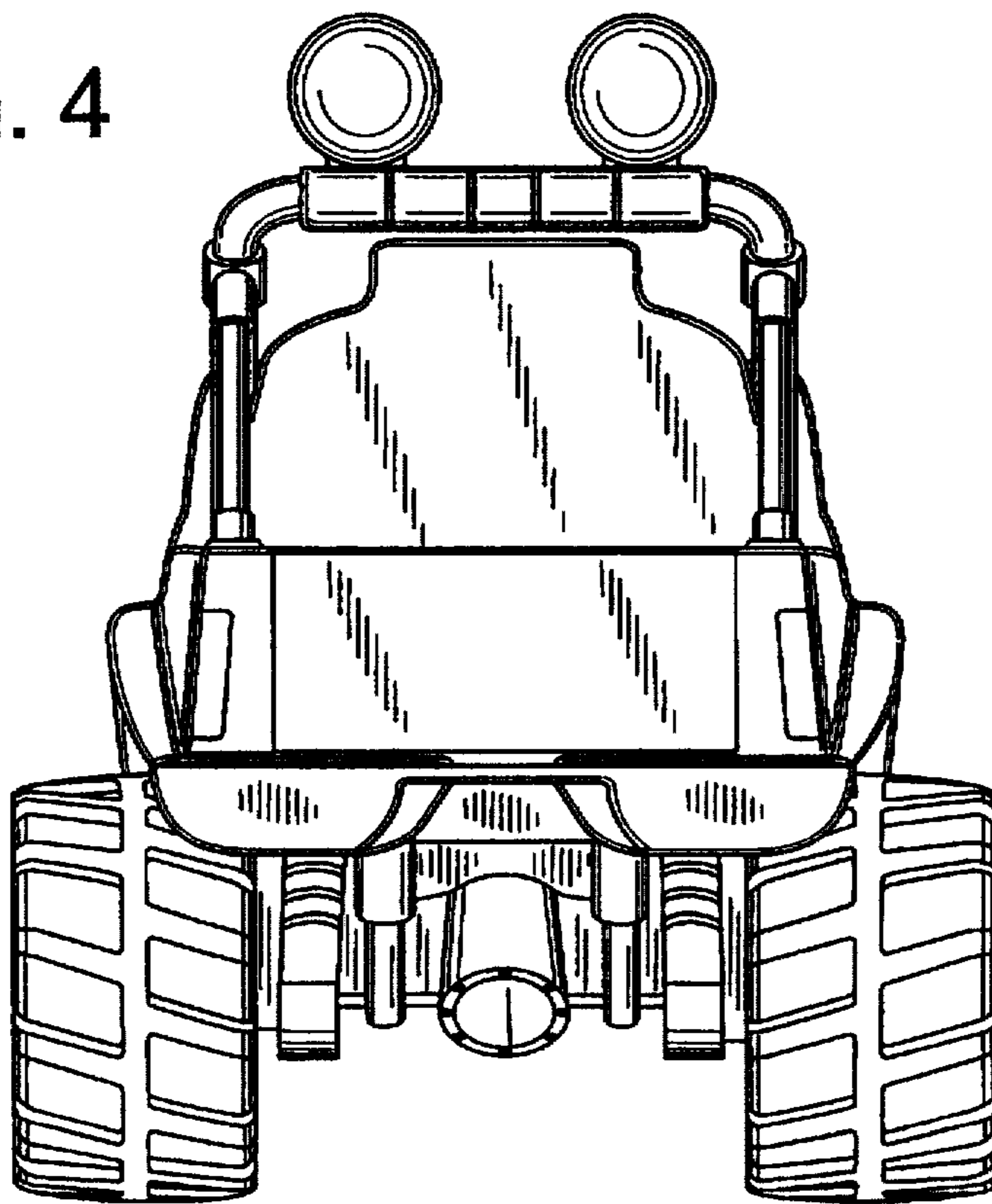


FIG. 5

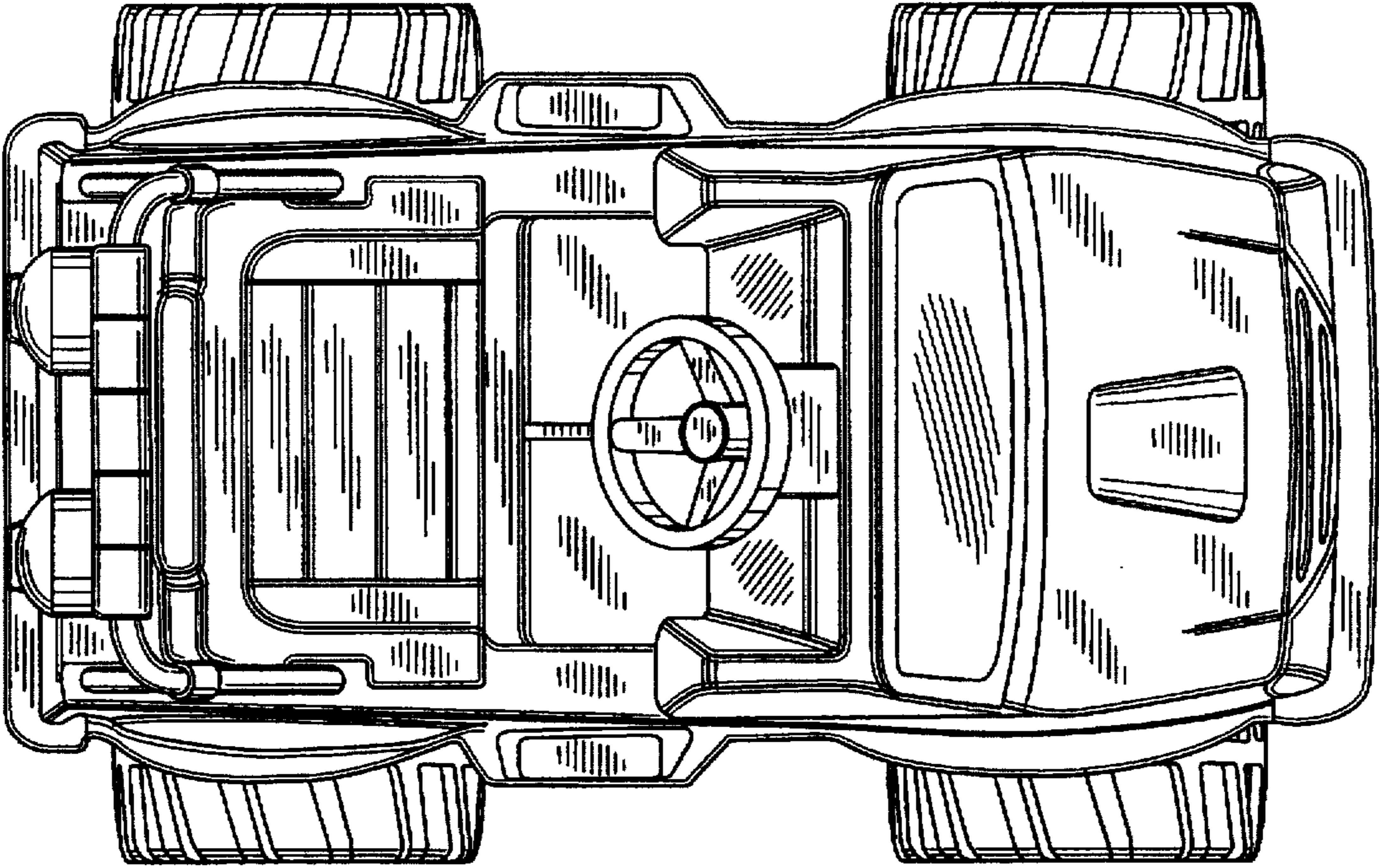


FIG. 6

