

US00D397735S

United States Patent [19]
Spranger

[11] **Patent Number:** **Des. 397,735**
[45] **Date of Patent:** ****Sep. 1, 1998**

[54] **PLAYING CARD HOLDER**

4,453,714 6/1984 Houser 273/148 A

[76] **Inventor:** **Amber Lee Spranger**, 917 Lake Bluff Dr., Flower Mound, Tex. 75028

Primary Examiner—Sandra L. Morris
Attorney, Agent, or Firm—Goldstein & Associates

[**] **Term:** **14 Years**

[57] **CLAIM**

[21] **Appl. No.:** **68,577**

The ornamental design for a playing card holder, as shown and described.

[22] **Filed:** **Mar. 24, 1997**

DESCRIPTION

[51] **LOC (6) Cl.** **21-01**

FIG. 1 is a front perspective view of a playing card holder, showing my new design, the broken lines showing playing cards are for illustrative purposes only, and form on part of the claimed design;

[52] **U.S. Cl.** **D21/54**

FIG. 2 is a top plan view thereof;

[58] **Field of Search** D21/51, 54-57;
273/148 R, 148 A, 150, 151; D20/15; D19/90,
91

FIG. 3 is a right side elevational view thereof, the left side view being a mirror image of the right side view;

[56] **References Cited**

U.S. PATENT DOCUMENTS

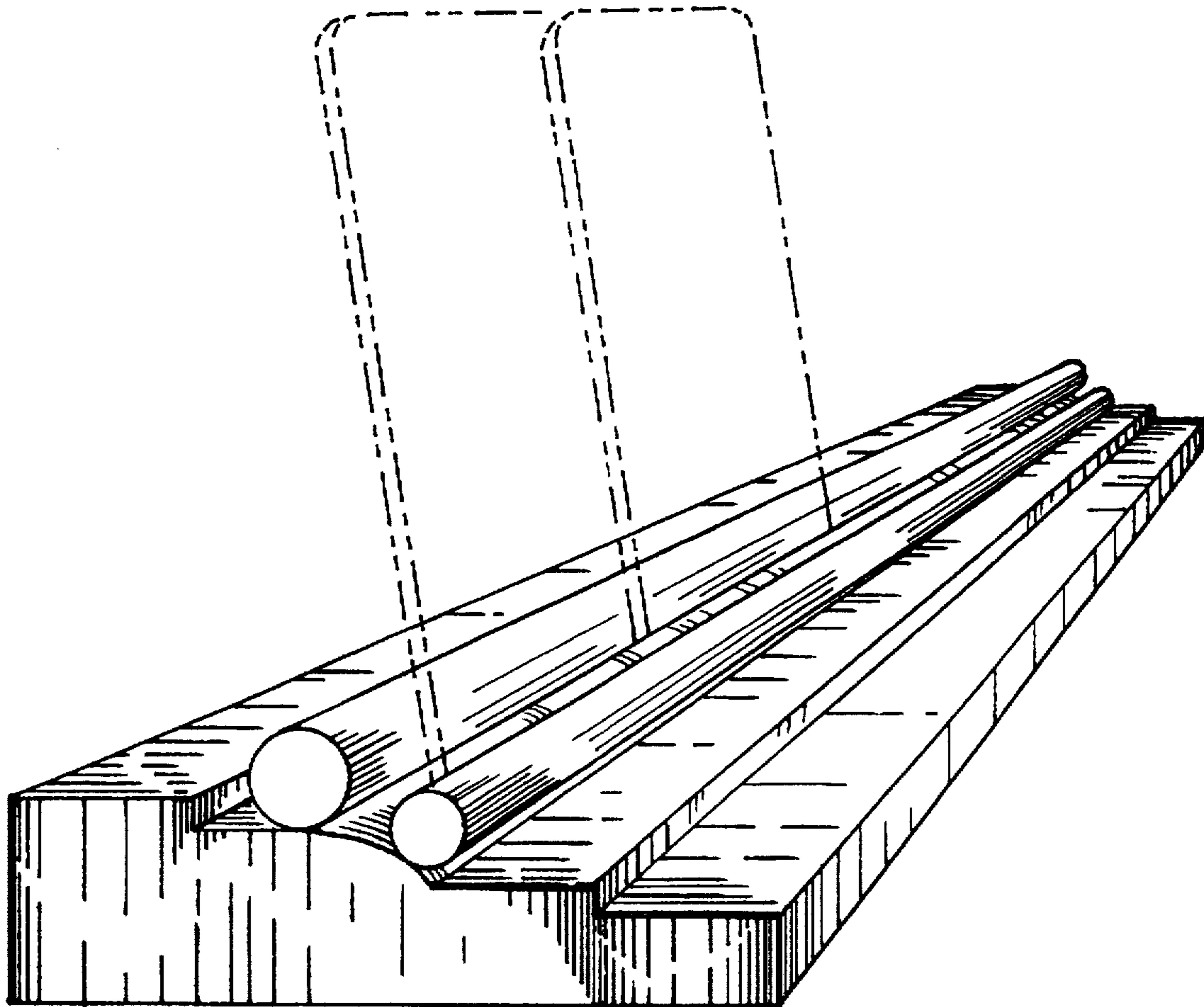
D. 262,727 1/1982 Snyder D21/54
2,785,901 3/1957 McLemore 273/150
4,291,882 9/1981 Del Monte 273/148 A

FIG. 4 is a bottom plan view thereof;

FIG. 5 is a rear elevational view thereof; and,

FIG. 6 is a front elevational view thereof.

1 Claim, 3 Drawing Sheets



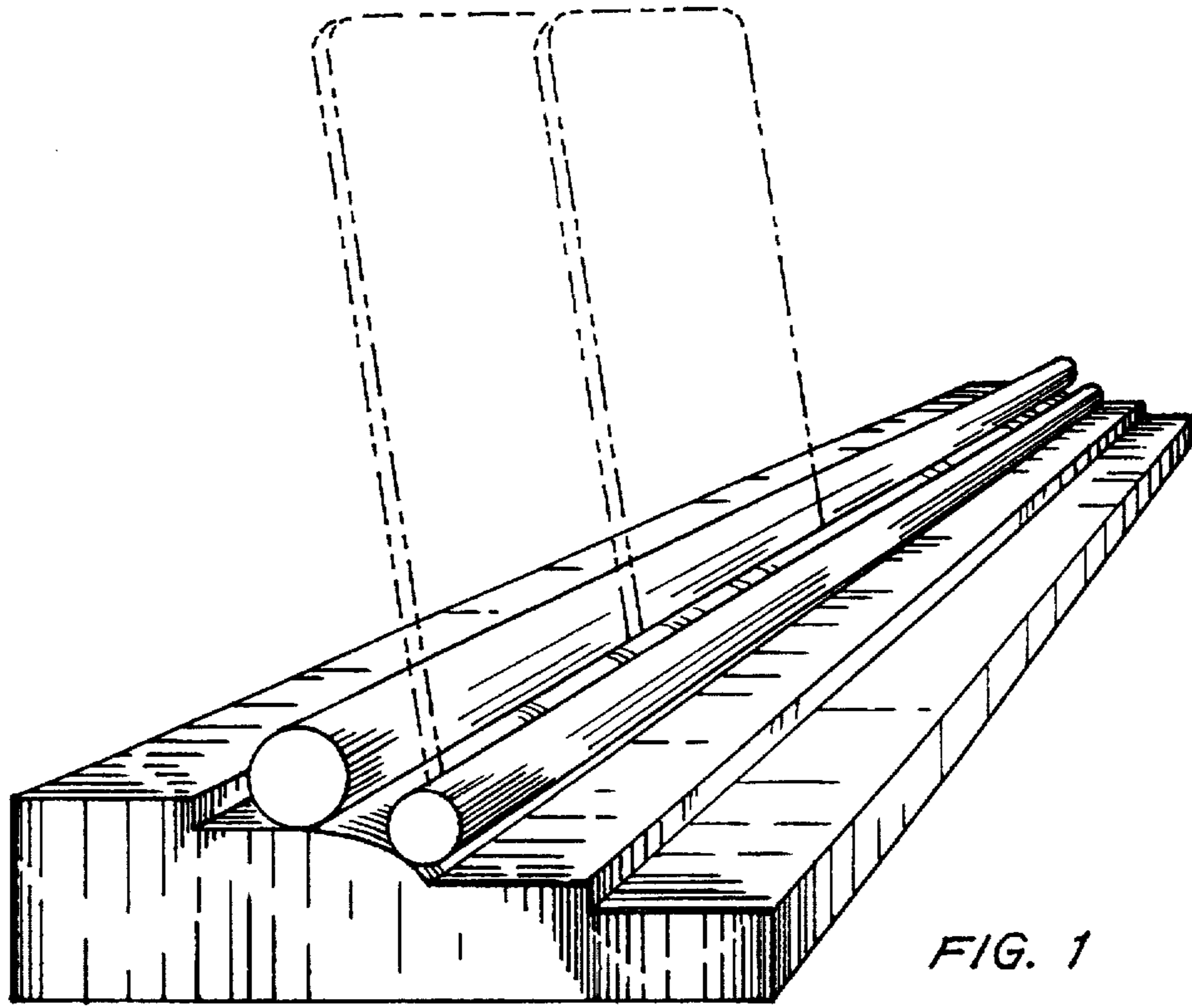


FIG. 1

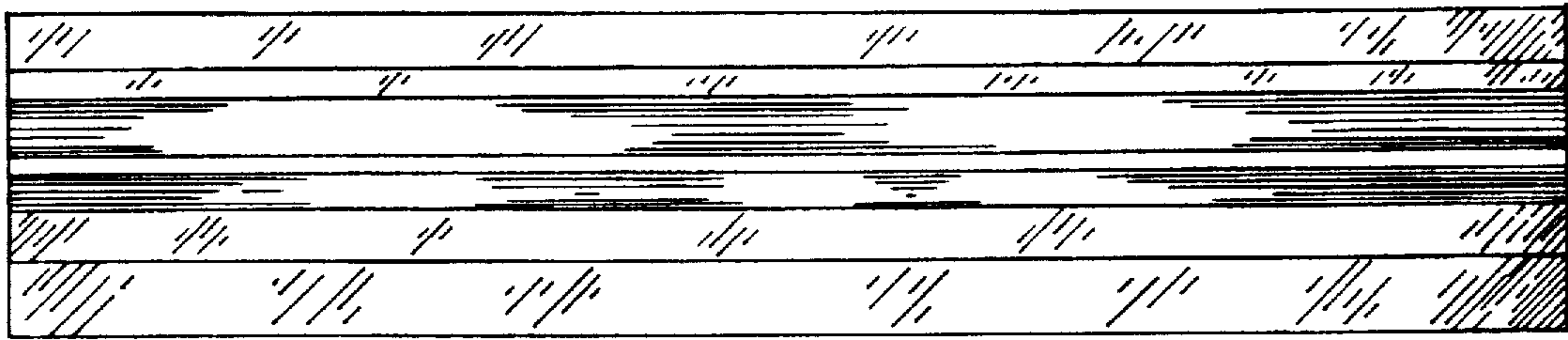


FIG. 2

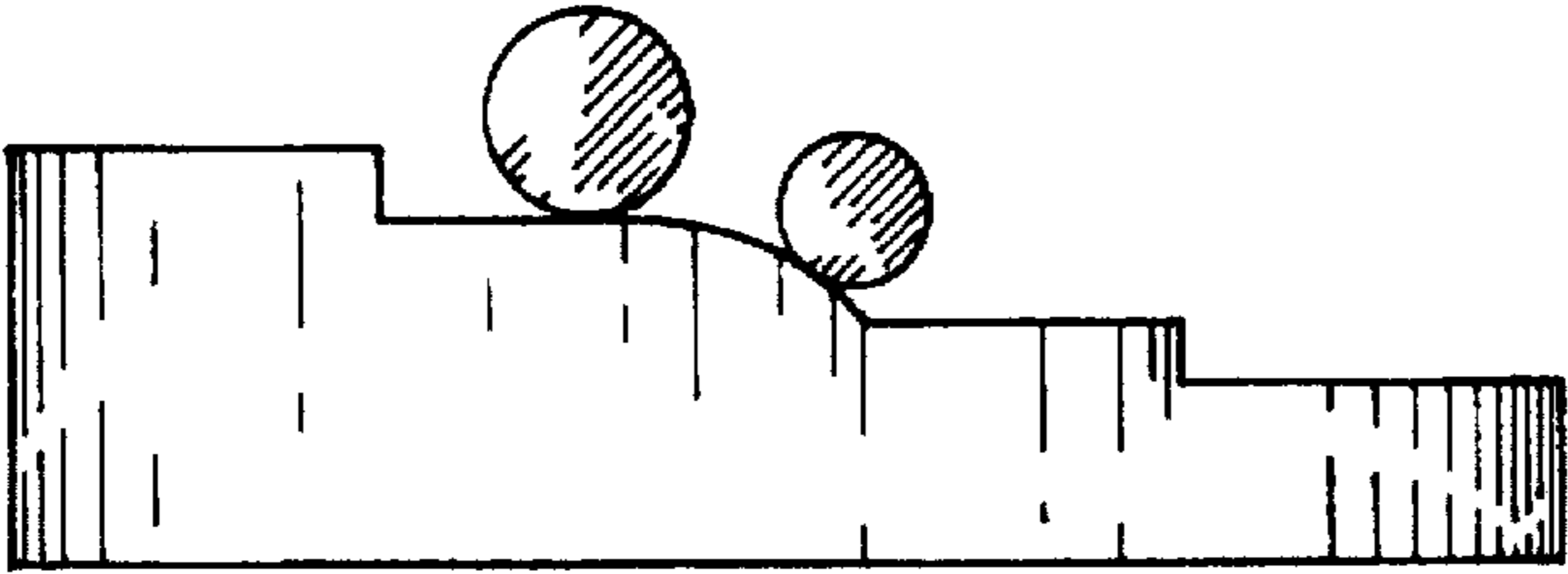


FIG. 3

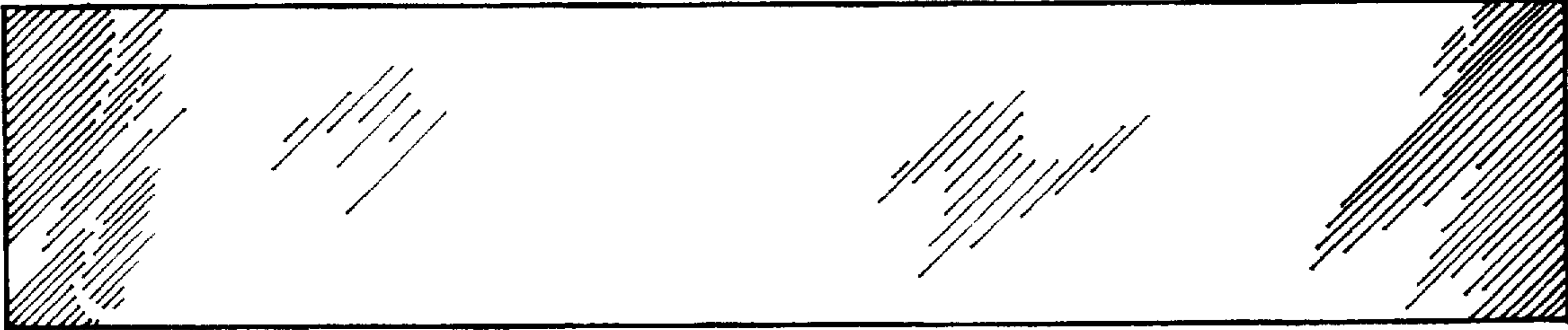


FIG. 4

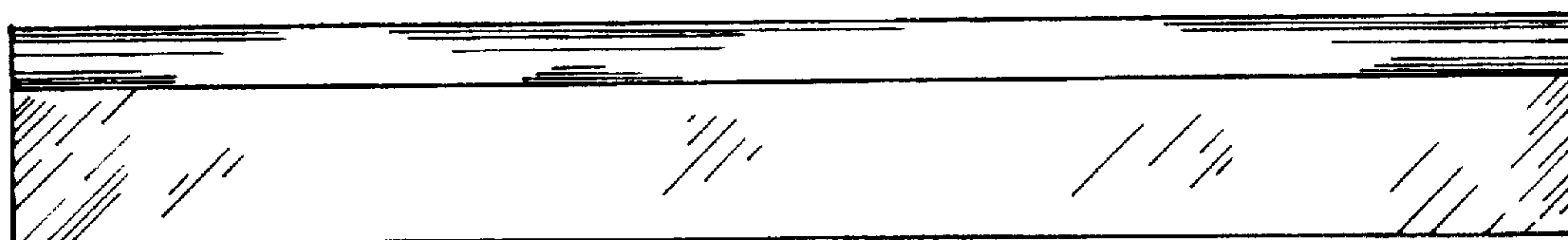


FIG. 5

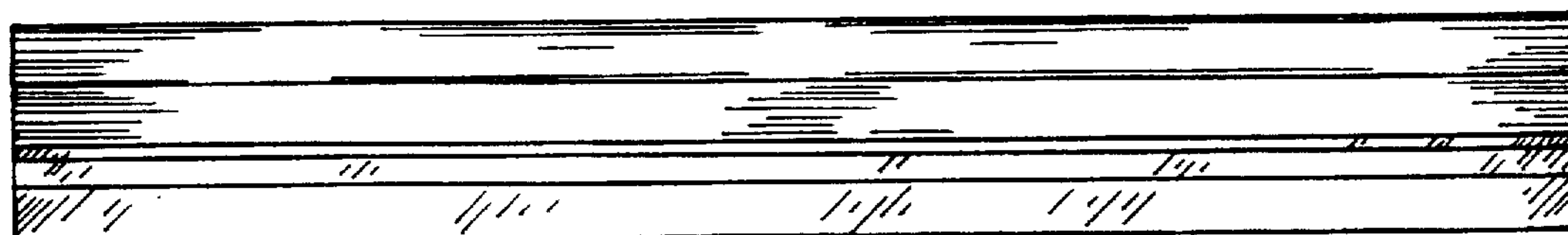


FIG. 6