



US00D397734S

United States Patent [19]

[11] Patent Number: Des. 397,734

Hayes et al.

[45] Date of Patent: **Sep. 1, 1998

[54] **HAND OPERATED ELECTRONIC CONTROLLER**

[75] Inventors: **Charles D. Hayes**, deceased, late of Grass Valley, by J. Noelle Hayes, executrix; **Clay D. Allen**, Elk Grove; **James P. Dudley**, Sacramento; **Kyle D. Fields**, El Dorado Hills, all of Calif.

[73] Assignee: **J. Noelle Hayes**, Grass Valley, Calif.

[**] Term: **14 Years**

[21] Appl. No.: **74,352**

[22] Filed: **Aug. 1, 1997**

[51] LOC (6) Cl. **21-01**

[52] U.S. Cl. **D21/48**

[58] Field of Search D21/1, 13, 48; D14/114, 124, 217, 100; 273/148 B; 463/1, 30-35, 37-47

[56] **References Cited**

U.S. PATENT DOCUMENTS

- D. 313,251 12/1990 Hayes D21/48
- D. 334,415 3/1993 Carter et al. D21/48
- D. 351,625 10/1994 Carter et al. D21/48
- D. 372,470 8/1996 Hsien D21/48 X

- D. 377,056 12/1996 Salinas D21/48
- 4,445,011 4/1984 Hansen 463/38 X
- 4,479,038 10/1984 Marhold et al. 463/38 X
- 4,552,360 11/1985 Bromley et al. 463/31 X
- 4,945,357 7/1990 Tal 463/38 X

OTHER PUBLICATIONS

Hongkong Enterprise, p. 813 Oct. 1990.

Playthings, p. 50 Sep. 1988.

Primary Examiner—Prabhakar G. Deshmukh

Attorney, Agent, or Firm—John P. O'Banion

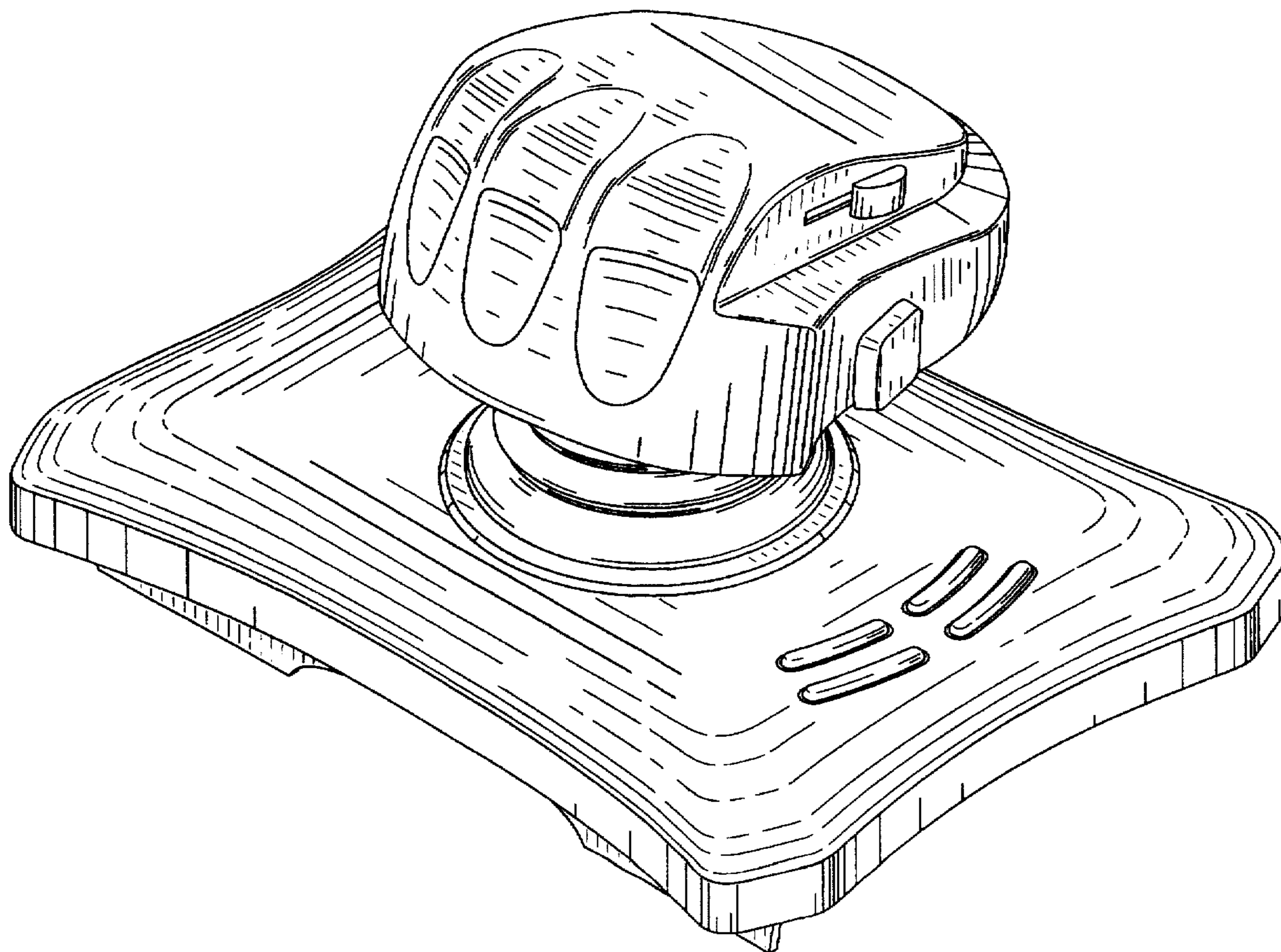
[57] **CLAIM**

The ornamental design for a hand operated electronic controller, as shown and described.

DESCRIPTION

FIG. 1 is a perspective view of a hand operated electronic controller showing our new design; FIG. 2 is a front elevational view thereof; FIG. 3 is a rear elevational view thereof; FIG. 4 is a left side elevational view thereof; FIG. 5 is a right side elevational view thereof; FIG. 6 is a top plan view thereof; and, FIG. 7 is bottom plan view thereof.

1 Claim, 5 Drawing Sheets



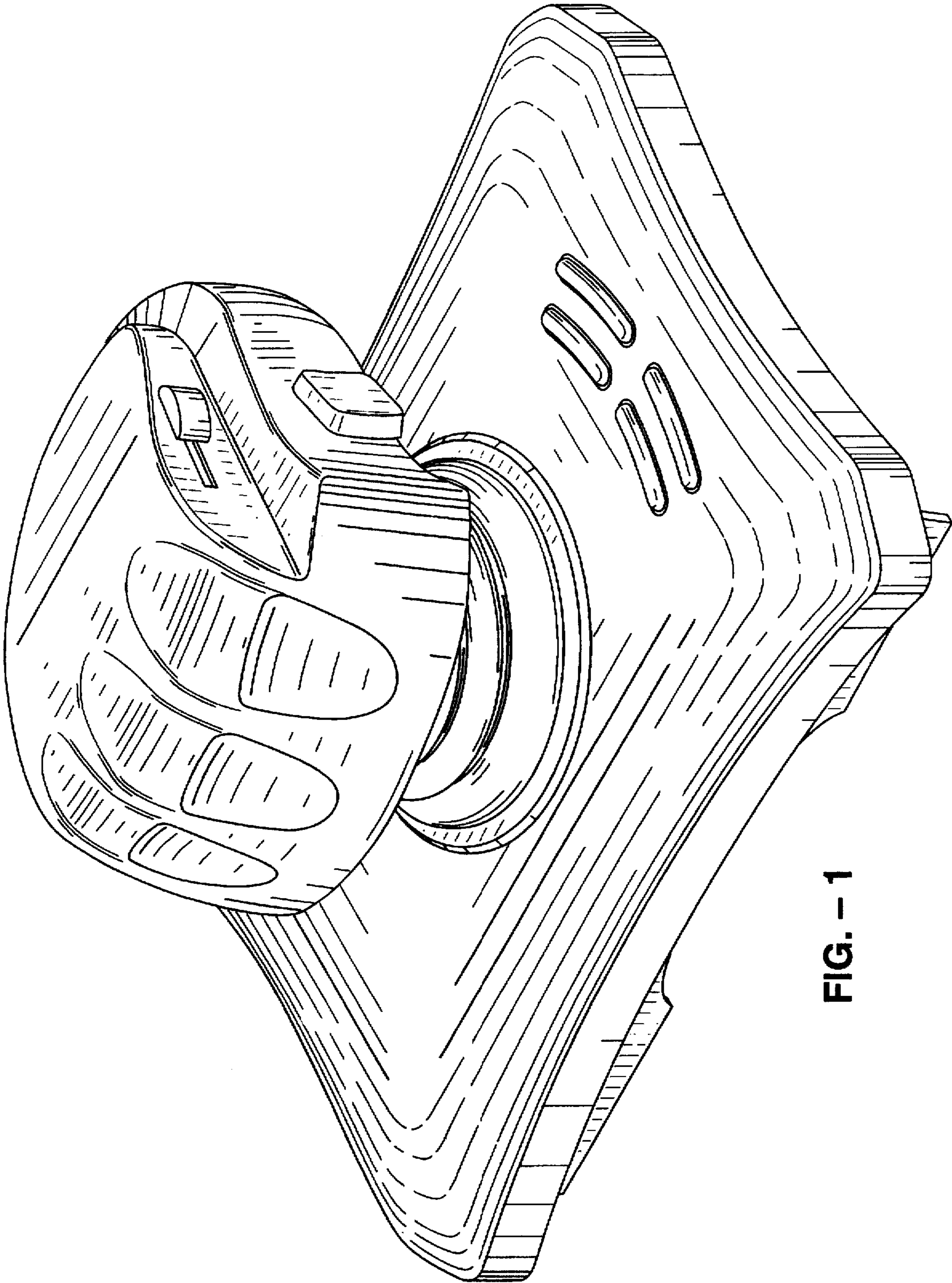


FIG. - 1

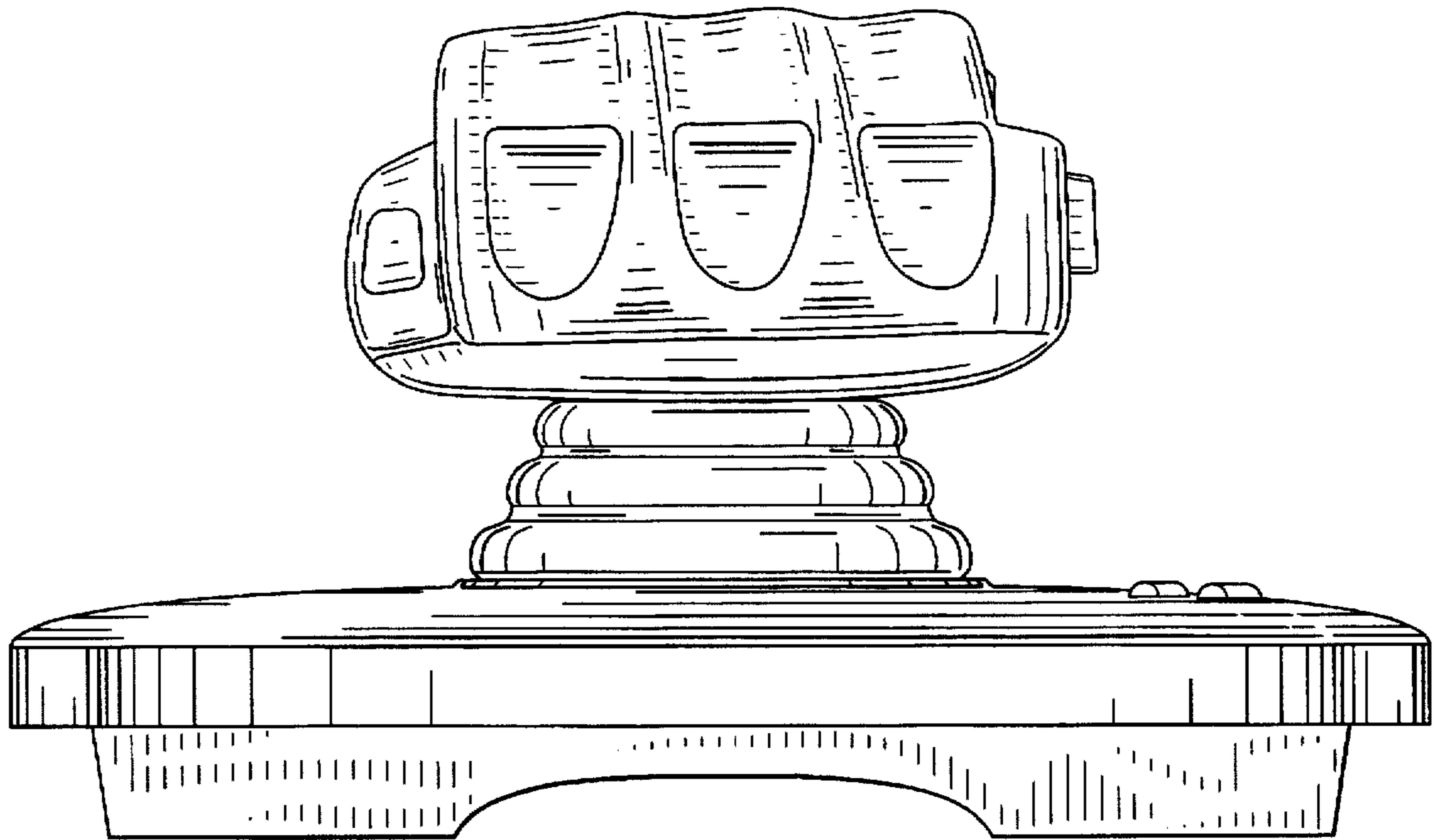


FIG. - 2

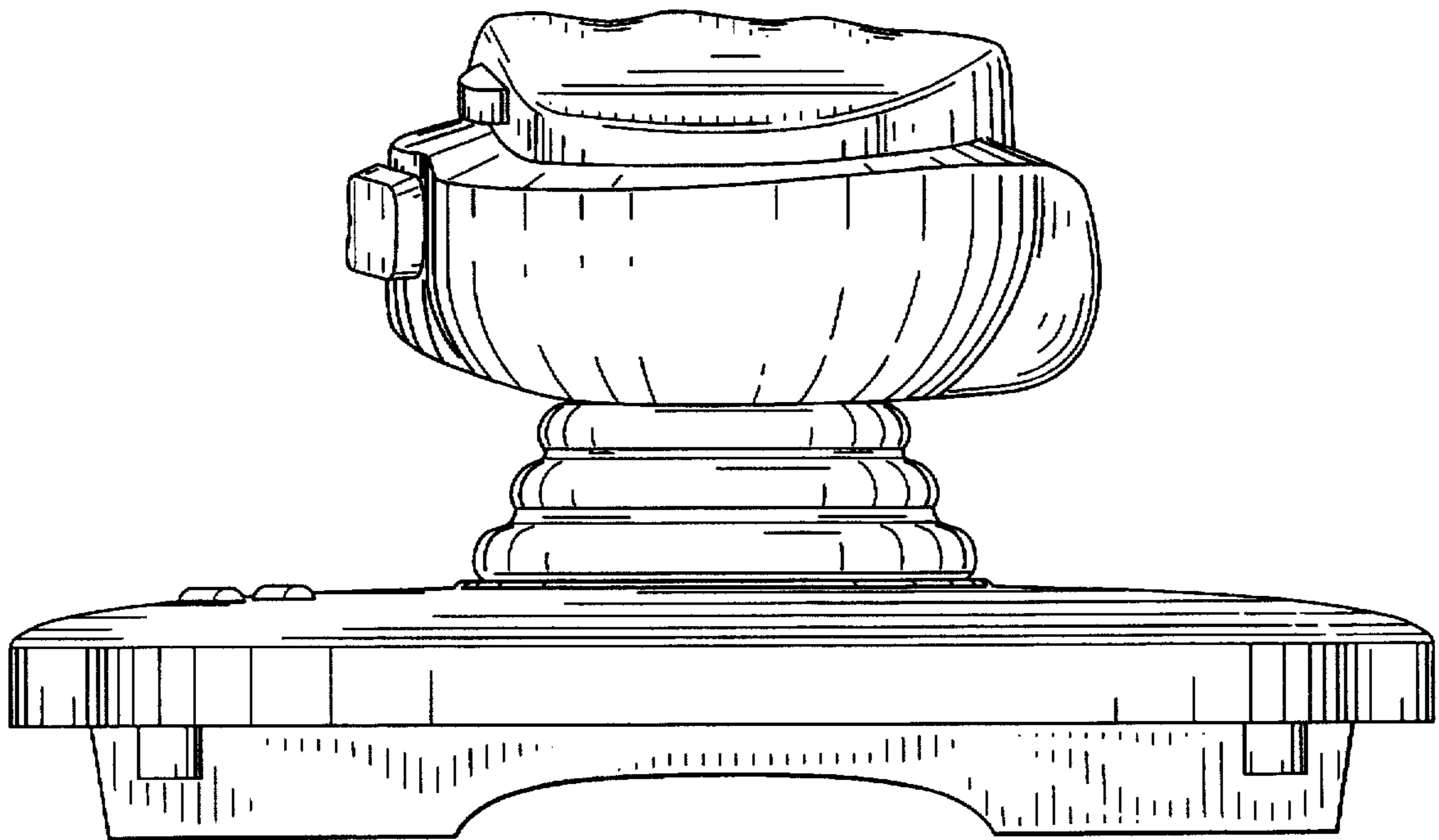


FIG. - 3

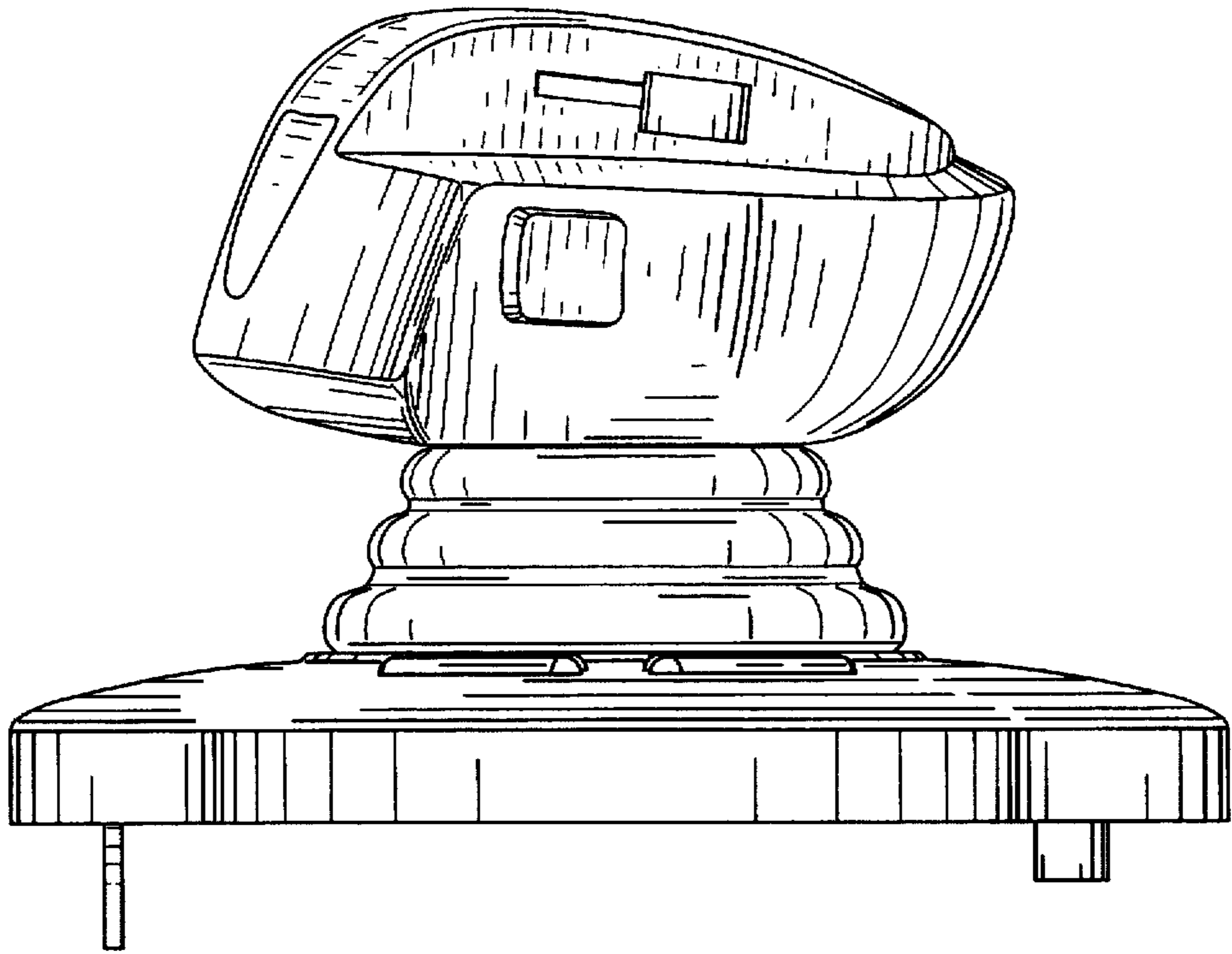


FIG. - 4

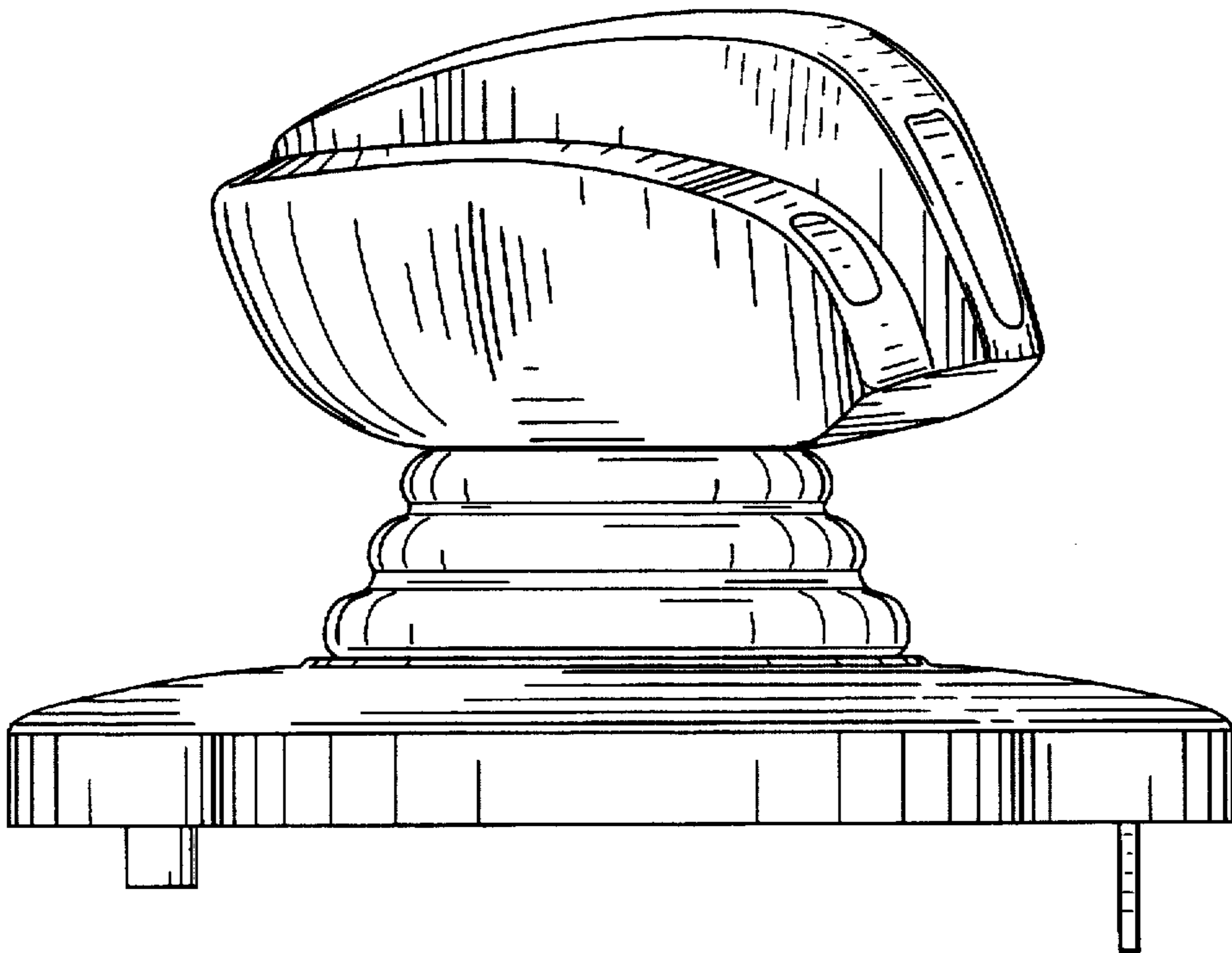


FIG. - 5

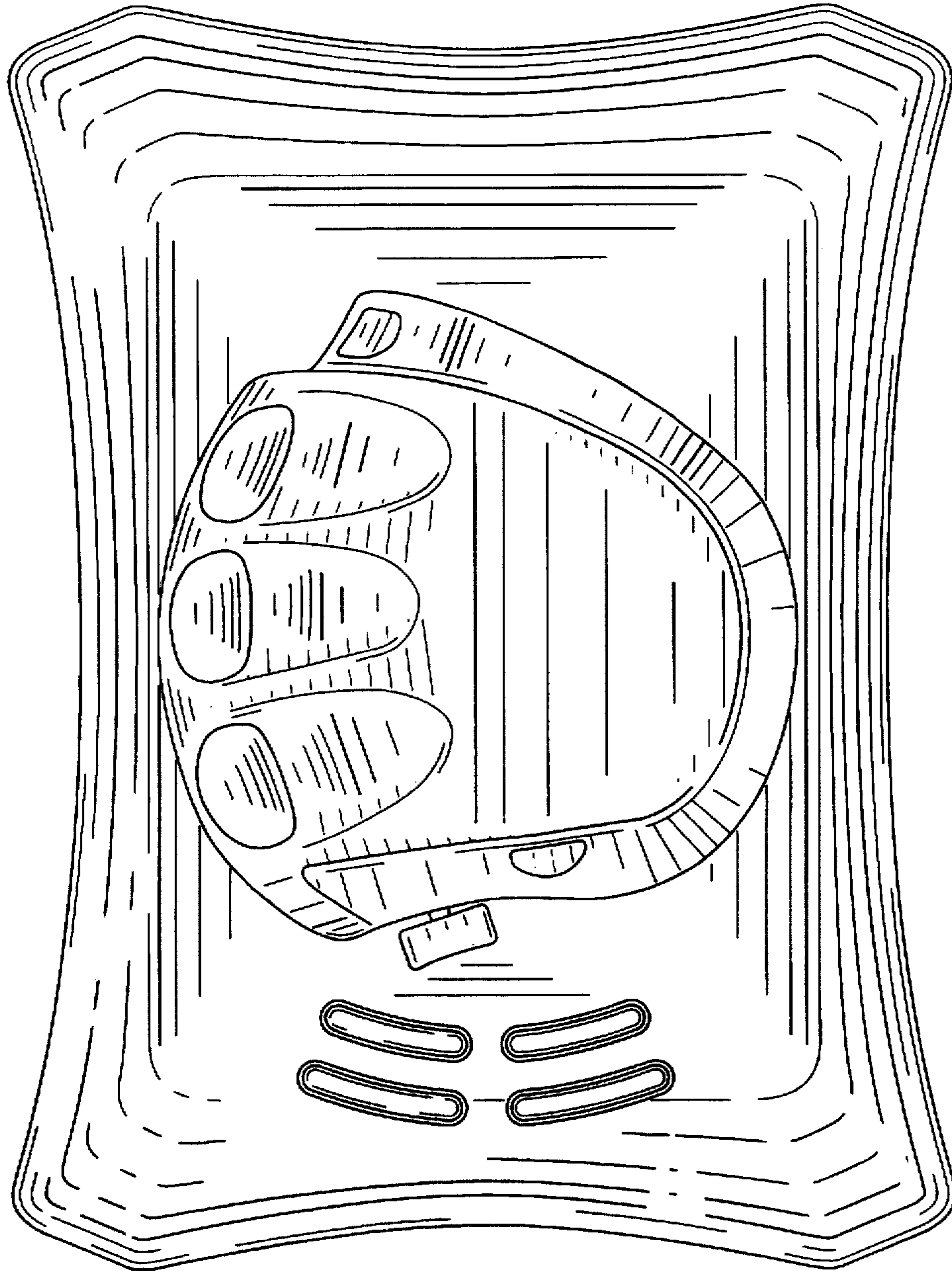


FIG. - 6

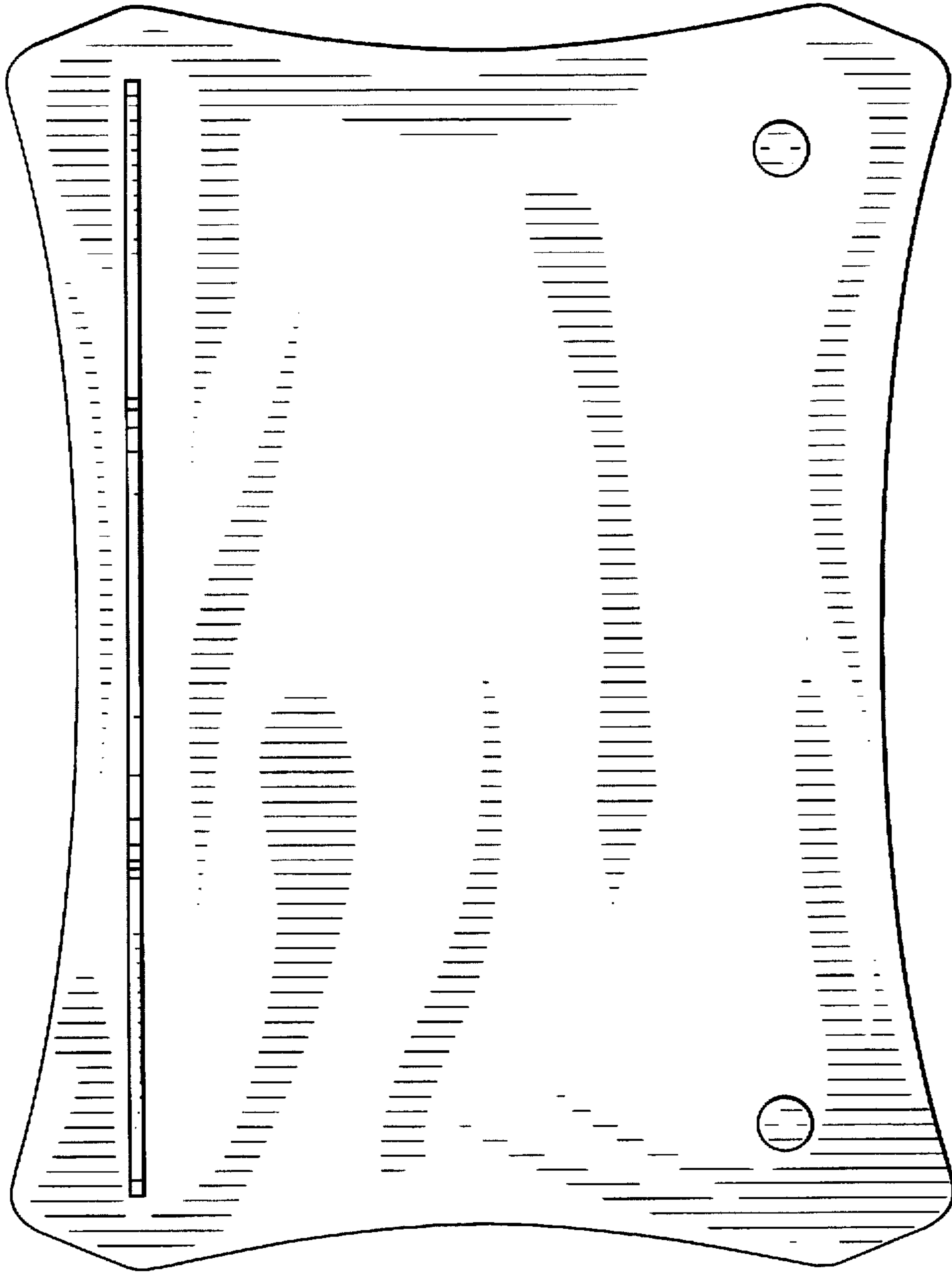


FIG. -- 7