



US00D397731S

United States Patent [19]

Russell

[11] Patent Number: Des. 397,731

[45] Date of Patent: **Sep. 1, 1998

[54] **HANDHELD GAMING BALL DISPLAY DEVICE**

D. 377,806 2/1997 Samucha D21/41 X
D. 379,472 5/1997 Smith D21/41 X
4,930,779 6/1990 Maddox 273/144 R

[76] Inventor: **Douglas R. Russell**, 2502 Woodside Dr., Louisville, Ky. 40207

[**] Term: **14 Years**

Primary Examiner—Ted Shooman
Assistant Examiner—Mitchell I. Siegel
Attorney, Agent, or Firm—Amster, Rothstein & Ebenstein

[21] Appl. No.: **64,689**

[57] **CLAIM**

[22] Filed: **Jan. 9, 1997**

The ornamental design for a handheld gaming ball display device, as shown and described.

[51] LOC (6) CL **21-02**

[52] U.S. Cl. **D21/37**

[58] Field of Search D21/37, 41; 273/144 R, 273/144 B, 138 R

DESCRIPTION

[56] **References Cited**

FIG. 1 is an isometric view, from the top, front and one side, of a handheld gaming ball display device showing my new design;

FIG. 2 is a front elevational view thereof;

FIG. 3 is a left side elevational view thereof;

FIG. 4 is a right side elevational view thereof;

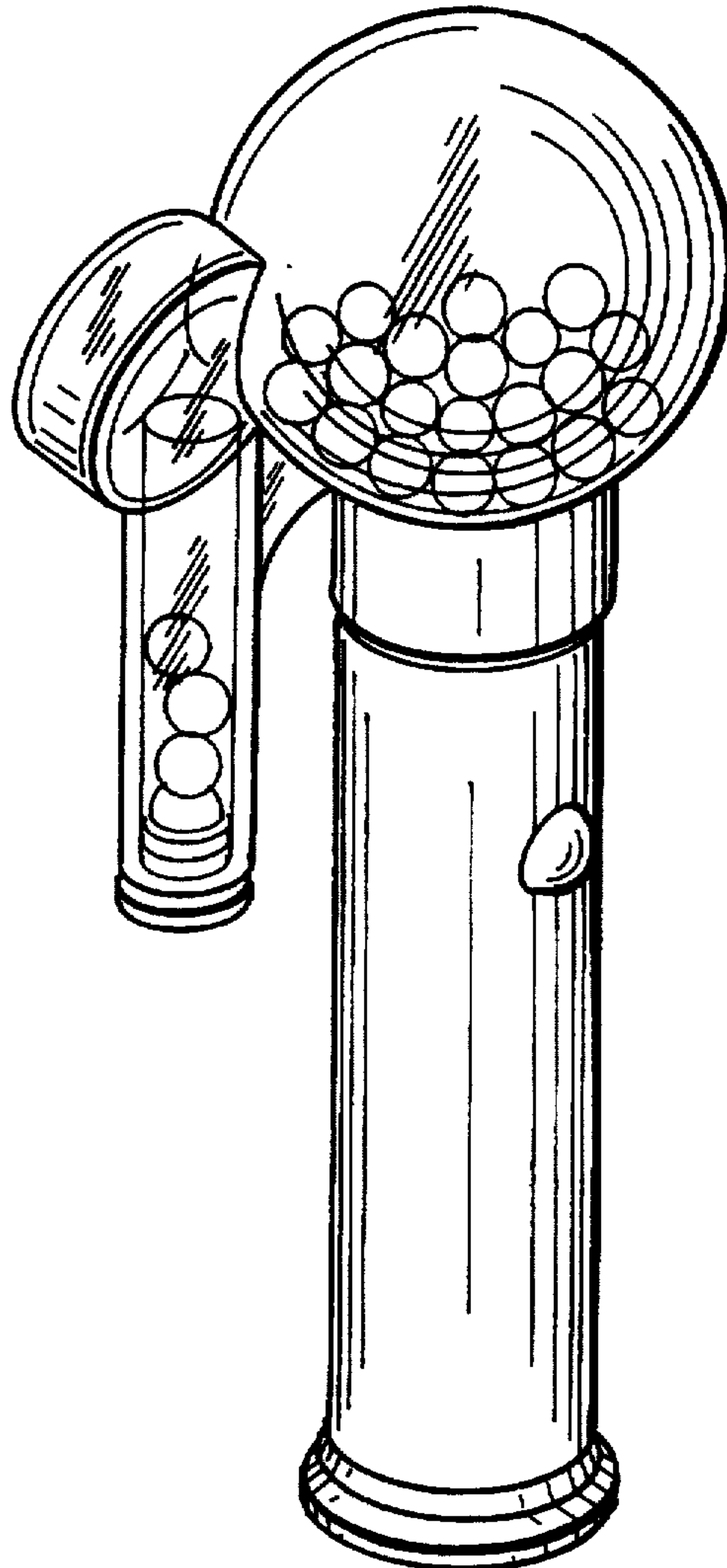
FIG. 5 is a top plan view thereof; and,

FIG. 6 is a bottom plan view thereof.

U.S. PATENT DOCUMENTS

D. 275,972 10/1984 Bahier D21/37
D. 317,471 6/1991 Rizzo et al. D21/37
D. 327,712 7/1992 Matalavage D21/37
D. 331,777 12/1992 Sedlmeier et al. D21/37
D. 375,764 11/1996 Hollinger D21/37

1 Claim, 4 Drawing Sheets



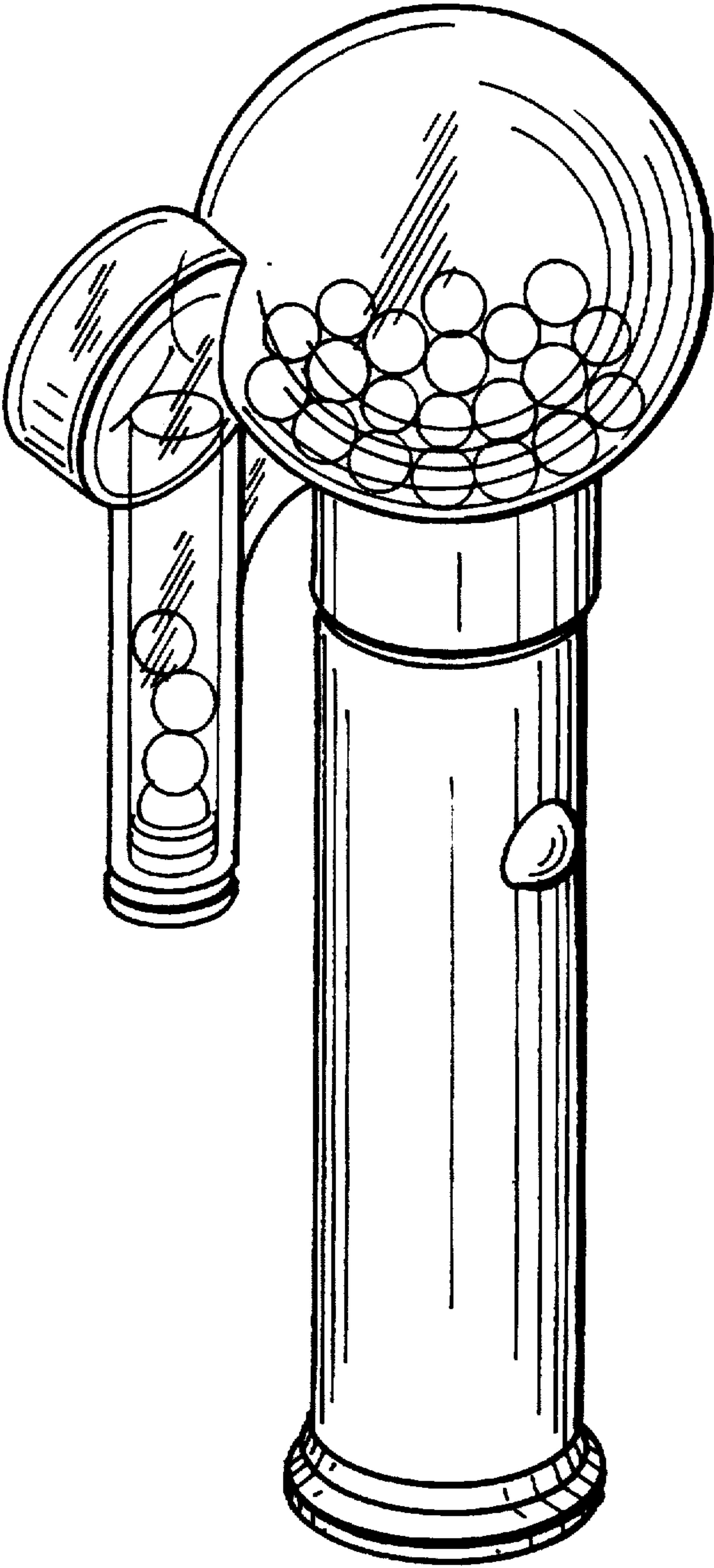


FIG. 1

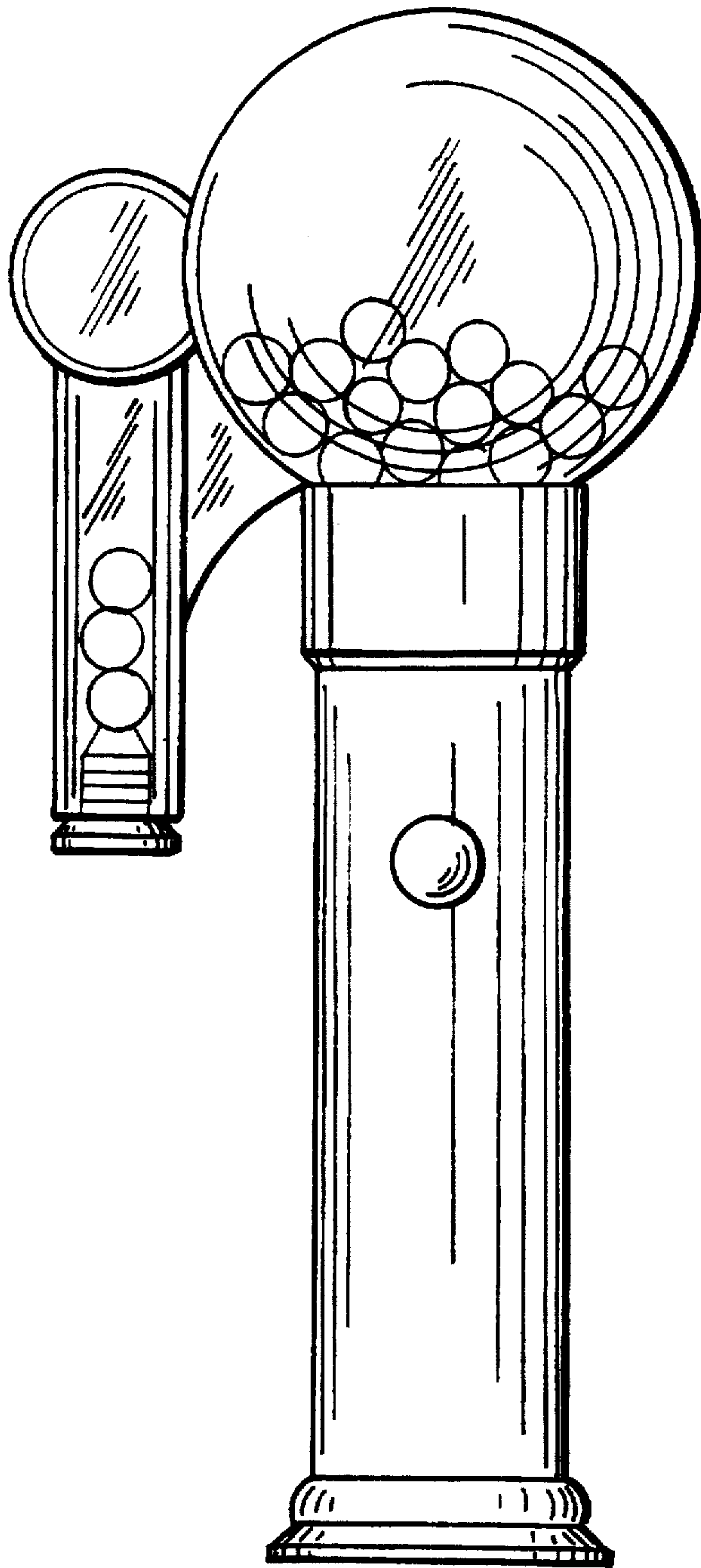


FIG. 2

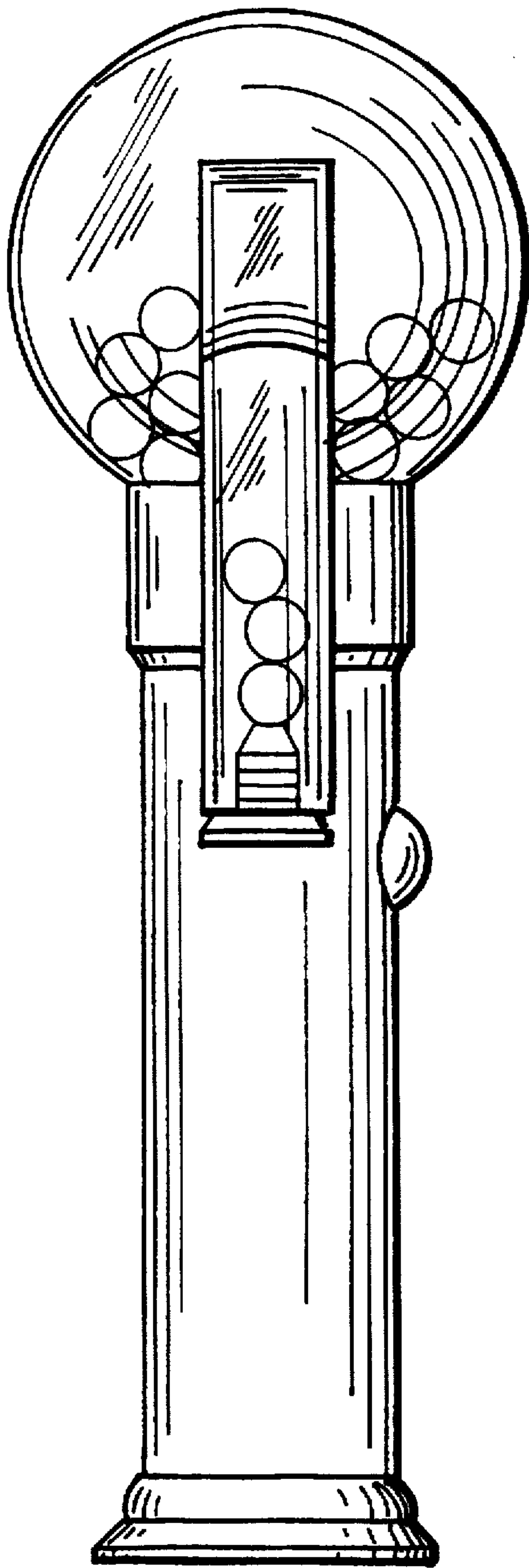


FIG. 3

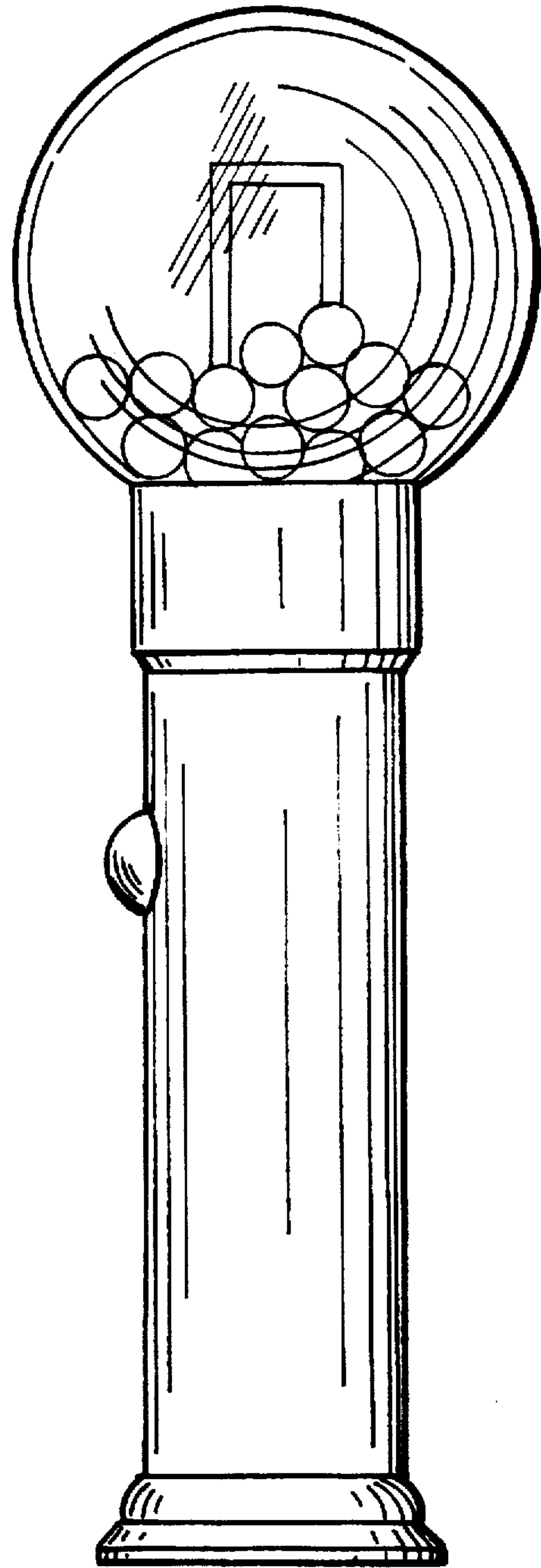


FIG. 4

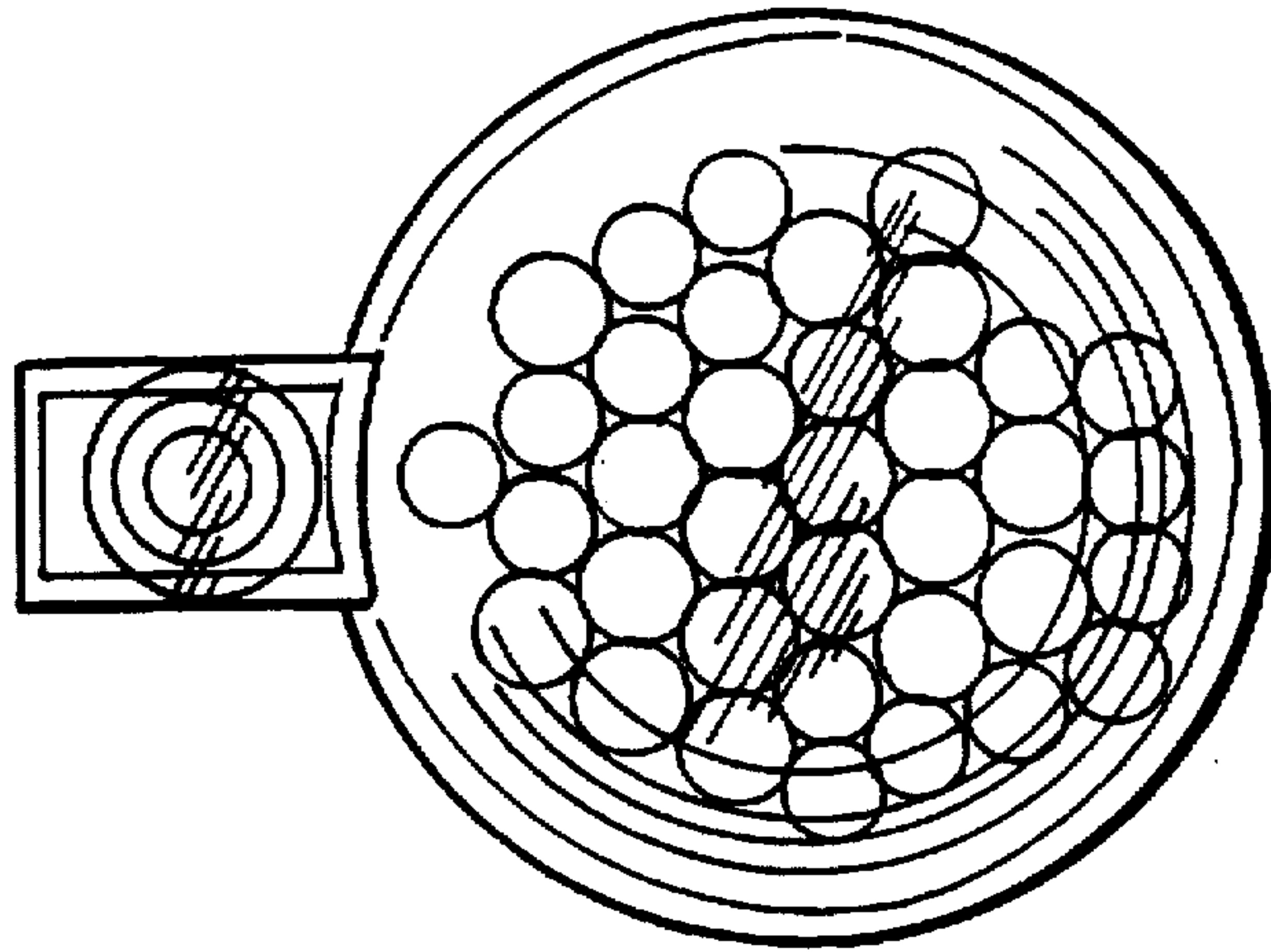


FIG. 5

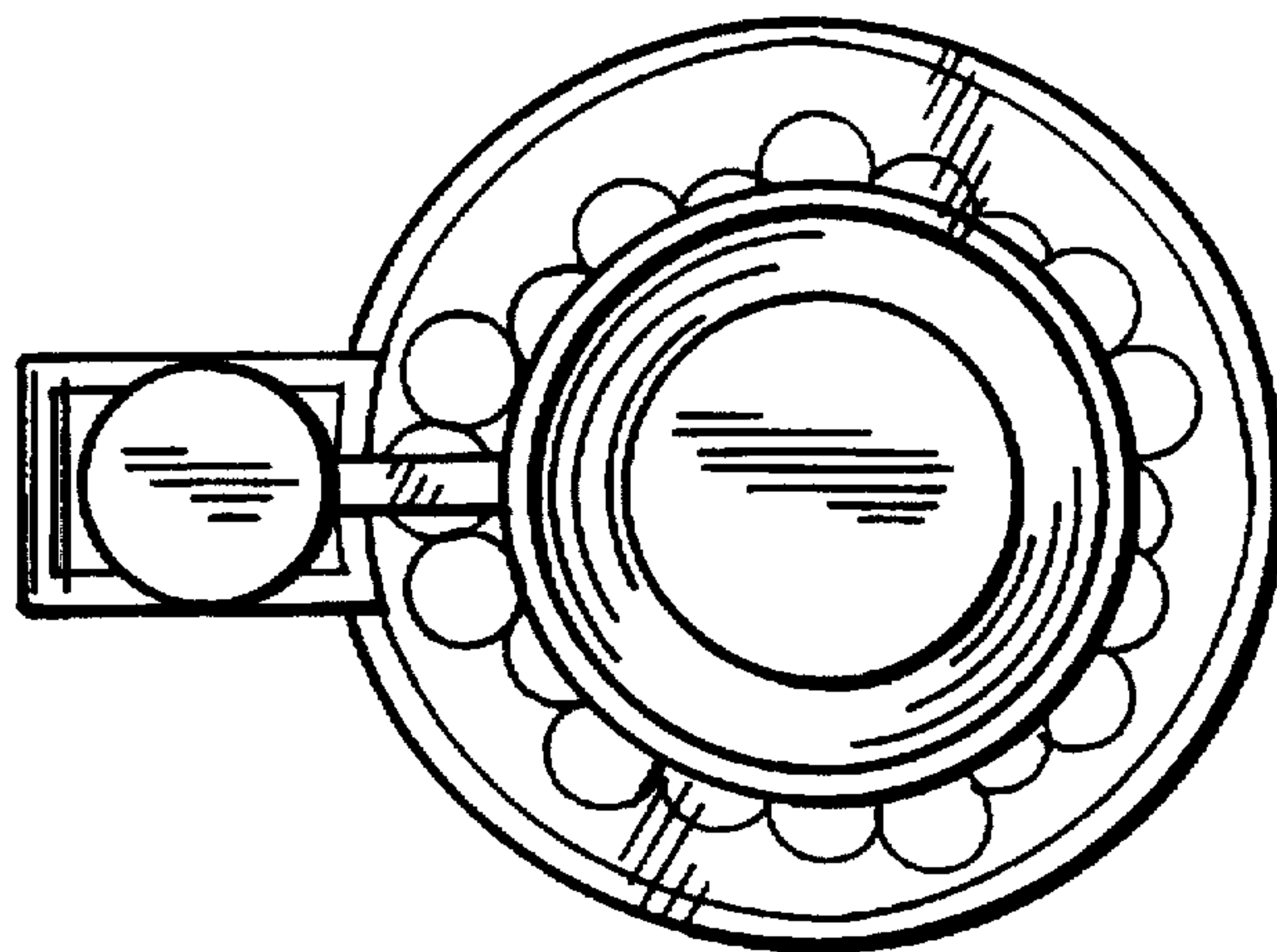


FIG. 6