



US00D397727S

United States Patent [19] Tilly

[11] Patent Number: **Des. 397,727**
[45] Date of Patent: ****Sep. 1, 1998**

[54] **COMPENDIUM GAME TABLE**

5,326,102 7/1994 Chang 273/85 D

[75] Inventor: **Richard Tilly**, Saint-Germain-les-Arlay,
France

FOREIGN PATENT DOCUMENTS

1012694 4/1952 France 273/85 D
176073 12/1935 Switzerland 273/85 D

[73] Assignee: **Monneret Jouetts**, Lons le Saunier,
France

[**] Term: **14 Years**

Primary Examiner—Prabhakar G. Deshmukh
Attorney, Agent, or Firm—Kokjer, Kircher, Bowman &
Johnson

[21] Appl. No.: **41,135**

[57] **CLAIM**

[22] Filed: **Jun. 22, 1995**

The ornamental design for a compendium game table, as
shown and described.

[30] **Foreign Application Priority Data**

DESCRIPTION

Jan. 5, 1995 [XH] Hague Agreement DM/031 743

[51] **LOC (6) Cl.** **21-01**

[52] **U.S. Cl.** **D21/7**

[58] **Field of Search** D21/7-11, 14-36,
D21/6, 1, 5; 273/85 D, 85 C, 236, 238,
281, 285, 287, 416, 85 R, 348, 121 R

FIG. 1 is a front and top perspective view of a compendium
game table, showing my new design;

FIG. 2 is a side elevational view thereof, the pin-ball game
in position, the side opposite that shown in FIG. 3 being
identical thereto;

FIG. 3 is an end elevational view thereof, taken from the left
of FIG. 2;

FIG. 4 is an end elevational view thereof, taken from the
right of FIG. 2;

FIG. 5 is a front and top perspective view thereof, the game
table top having been removed to reveal the table soccer
game; and,

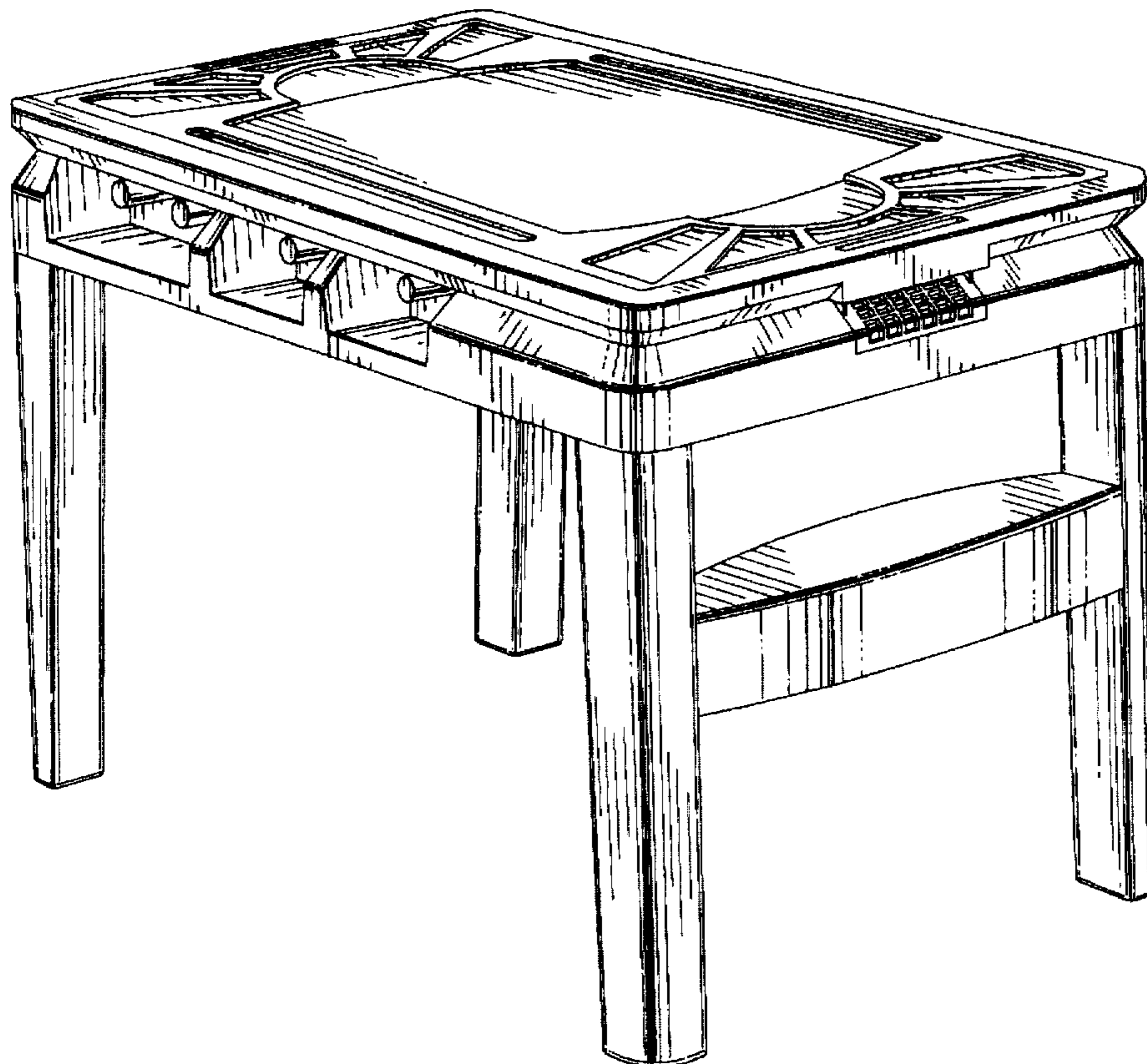
FIG. 6 is a front perspective view thereof, the game table top
having been placed upright at an angle against the foremost
leg thereof to place dart throwing game in position.

[56] **References Cited**

U.S. PATENT DOCUMENTS

D. 227,684 7/1973 Patterson D21/11
D. 253,120 10/1979 Bretscher D21/9
D. 314,985 2/1991 Monneret D21/11
D. 347,245 5/1994 Cecchetti D21/11
3,926,432 12/1975 Furr et al. 273/85 D
4,025,073 5/1977 Furr et al. 273/85 D
4,078,797 3/1978 Bergee 273/85 D

1 Claim, 3 Drawing Sheets



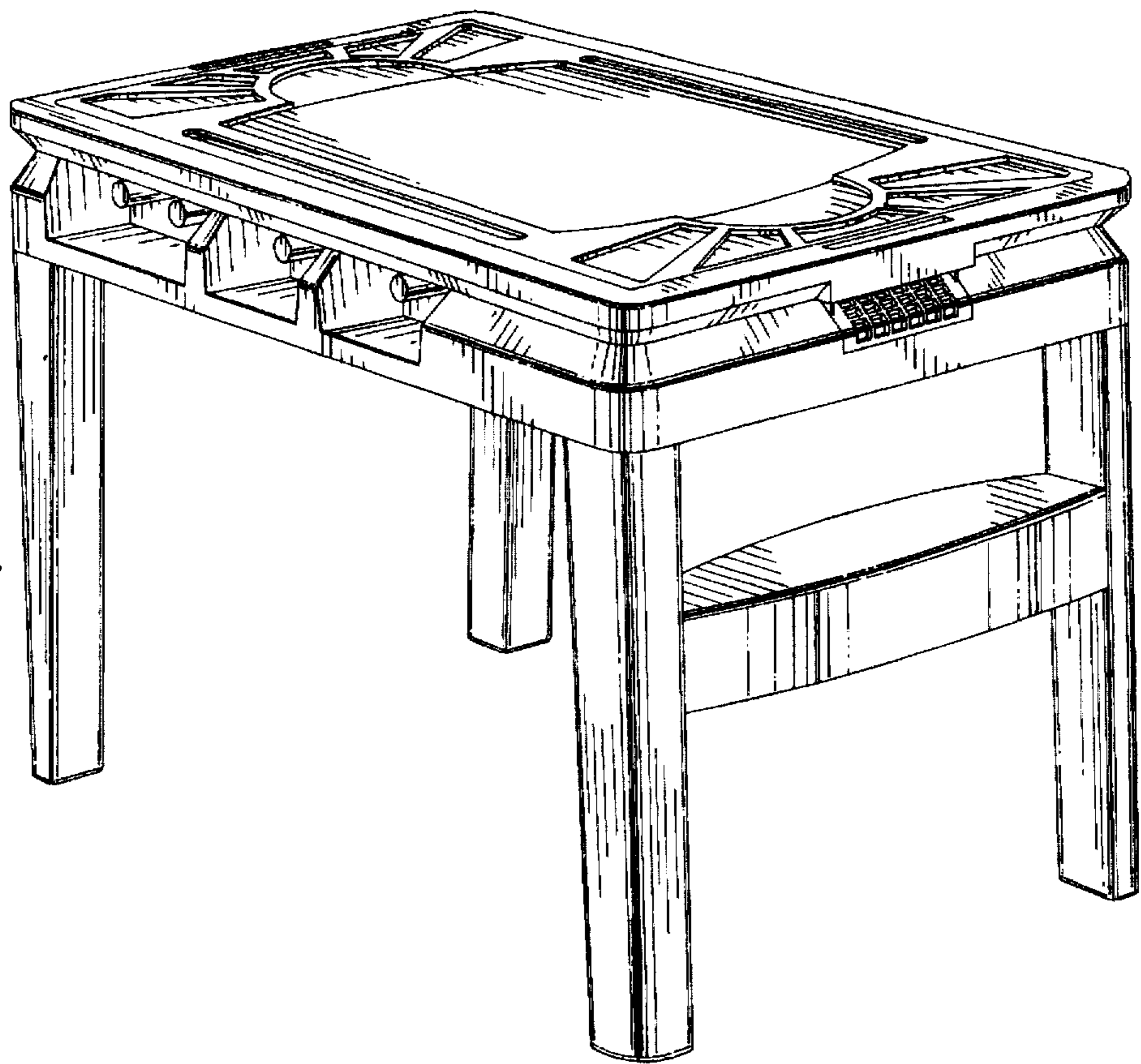


Fig. 1.

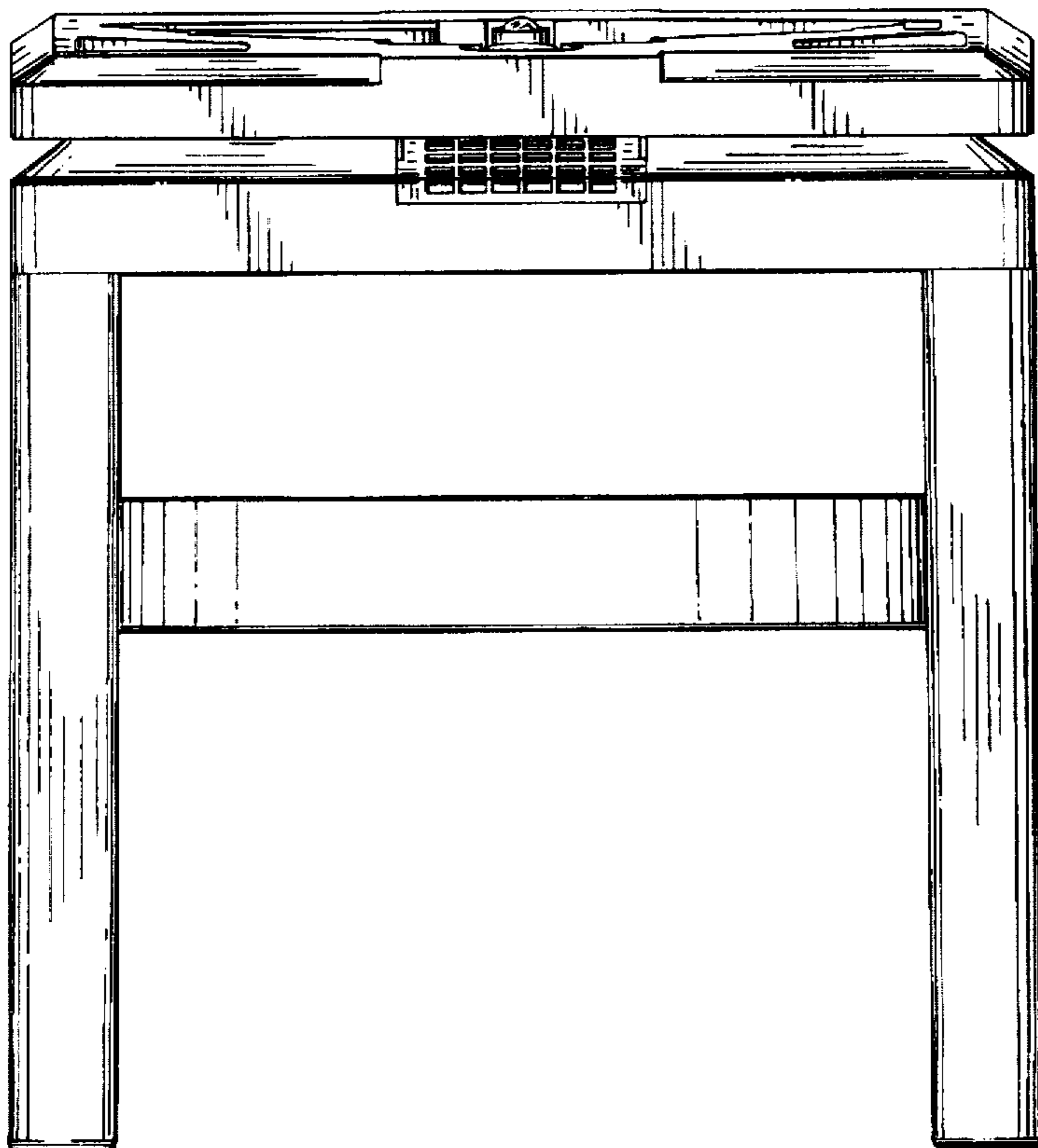


Fig. 4.

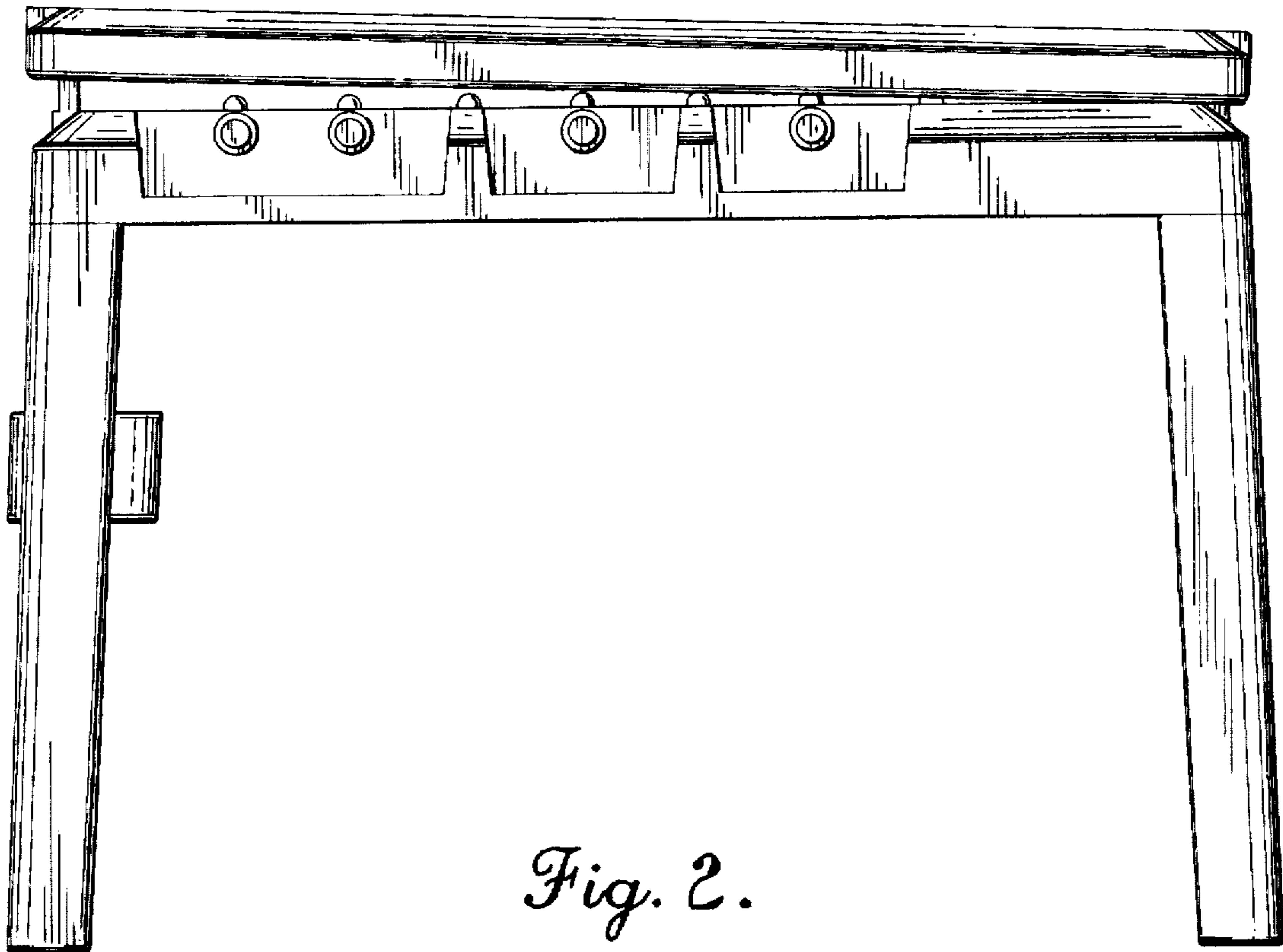


Fig. 2.

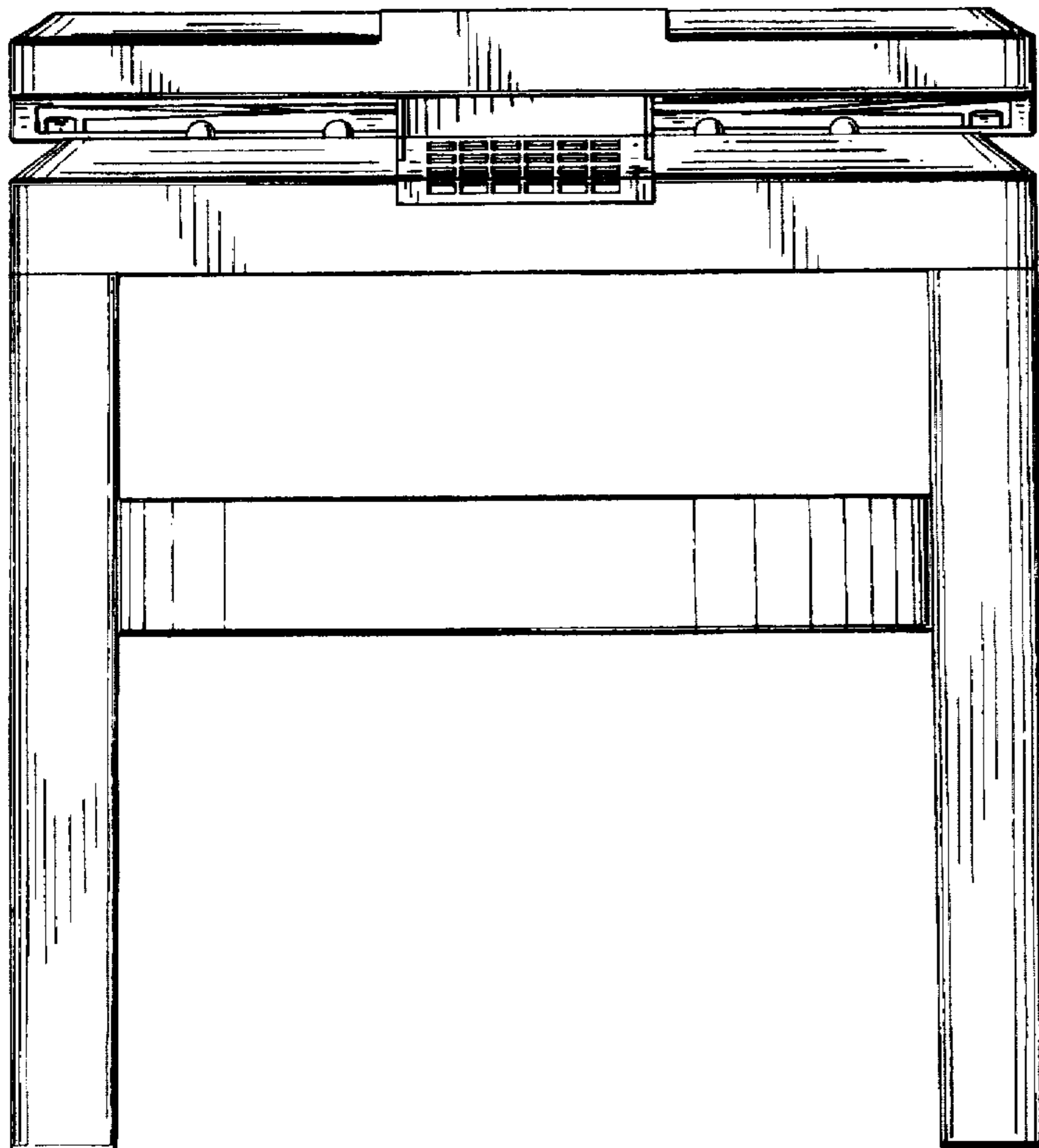


Fig. 3.

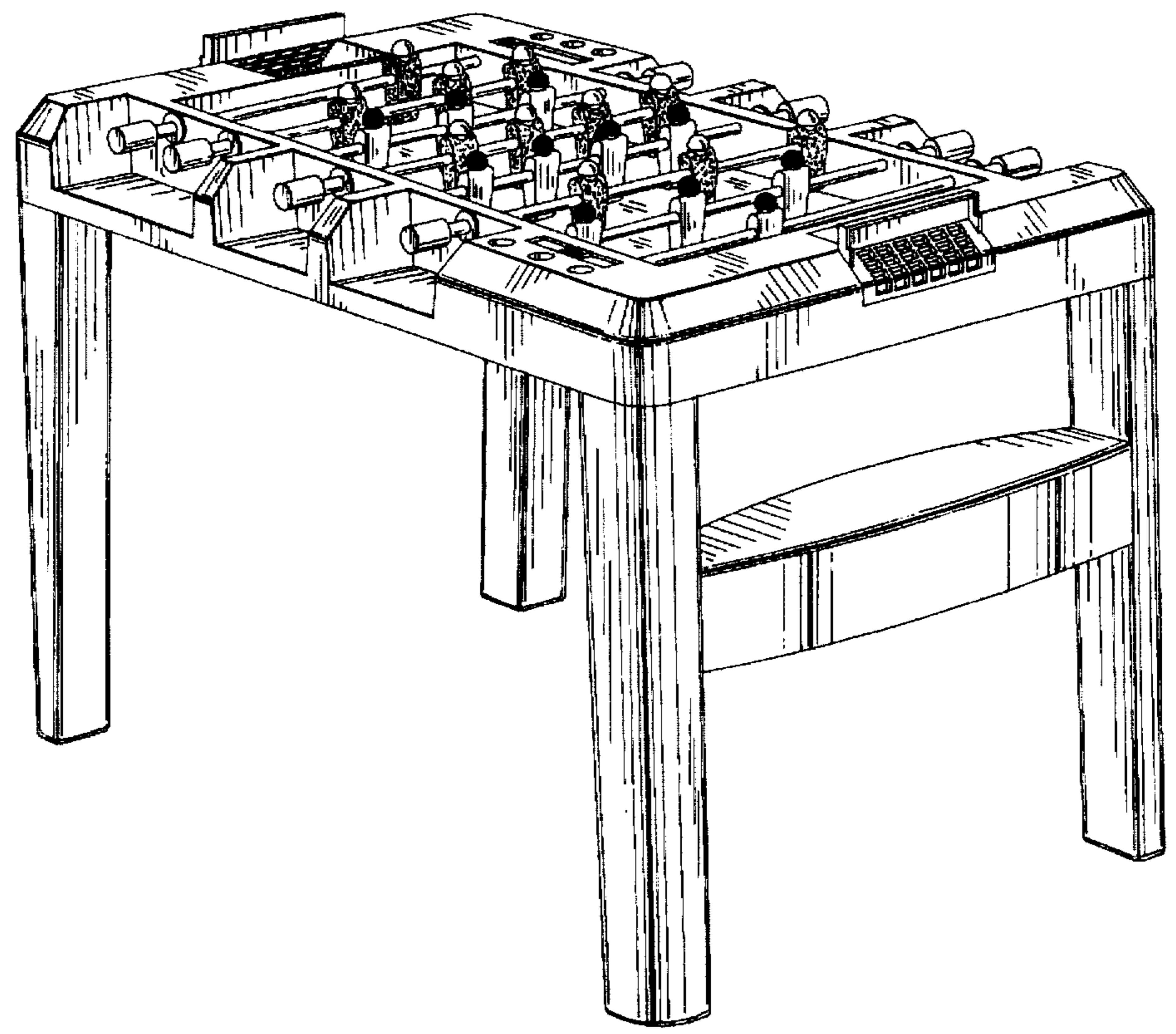


Fig. 5.

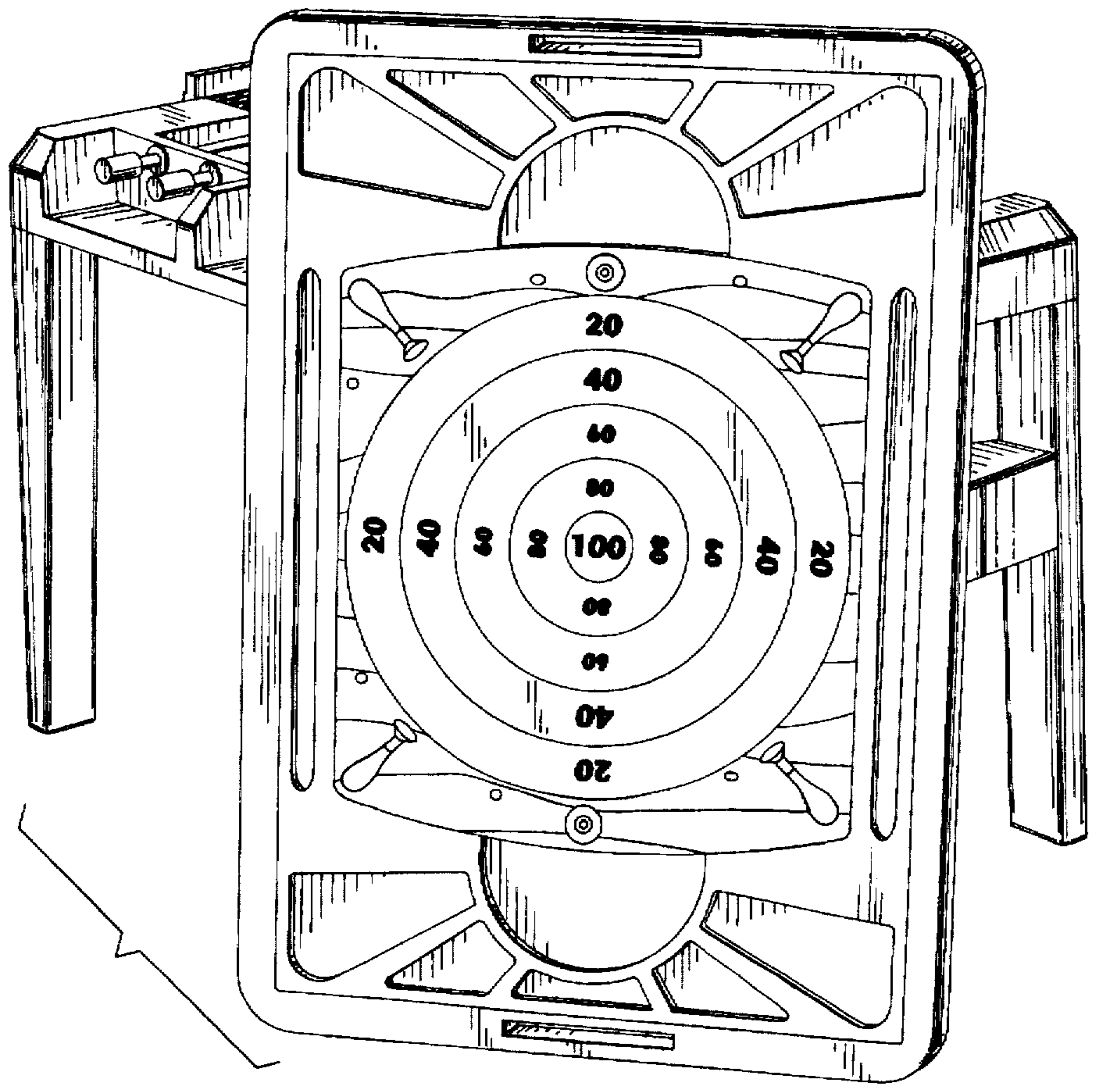


Fig. 6.