



US00D397720S

# United States Patent [19] Shimanuki

[11] Patent Number: **Des. 397,720**  
[45] Date of Patent: **\*\*Sep. 1, 1998**

[54] **PRINTER**

[75] Inventor: **Fumikazu Shimanuki**, Nara, Japan  
[73] Assignee: **Sharp Kabushiki Kaisha**, Osaka, Japan  
[\*\*] Term: **14 Years**

[21] Appl. No.: **75,918**

[22] Filed: **Jun. 24, 1997**

[30] **Foreign Application Priority Data**

Dec. 24, 1996 [JP] Japan ..... 8-39191

[51] **LOC (6) Cl.** ..... **14-02**

[52] **U.S. Cl.** ..... **D18/55**

[58] **Field of Search** ..... 400/613, 613.1-613.4,  
400/691-694, 690.1-690.4; D18/50, 54,  
55

[56] **References Cited**

**U.S. PATENT DOCUMENTS**

D. 323,850	2/1992	Matsuo et al.	.....	D18/54
D. 331,256	11/1992	Fukuda .		
D. 333,153	2/1993	Uchibori et al.	.....	D18/55
D. 337,609	7/1993	Fukuda .		
D. 340,065	10/1993	Fukuda .		
D. 343,191	1/1994	Kobayashki	.....	D18/55
D. 343,192	1/1994	Hirose .		
D. 350,979	9/1994	Hirose .		
D. 360,428	7/1995	Hayashihara .		
D. 369,827	5/1996	Inukai	.....	D18/55
D. 370,025	5/1996	Weng	.....	D18/50

D. 371,158	6/1996	Yoshida .		
D. 376,141	12/1996	Takeuchi	.....	D18/50
D. 377,370	1/1997	Escobedo et al.	.....	D18/50
D. 383,487	9/1997	Mochihara et al.	.....	D18/55
D. 390,258	2/1998	Kawahara et al.	.....	D18/55

**OTHER PUBLICATIONS**

Best Catalog; Pg. 4; Brother Plain Paper Fax; (PPF-900) 658383; Mar. 1994.  
Lumina Series 2000 brochure; Cover photo; Feb. 1995.  
SSI Business Centers Advertisement in The Washington Times Newspaper; Pg. C7; HP FAX-200; Aug. 1992.  
Panasonic brochure for Panafax UF-322; Cover photo; Jun. 1994.

*Primary Examiner*—Cathy Anne MacCormac  
*Attorney, Agent, or Firm*—Nixon & Vanderhye

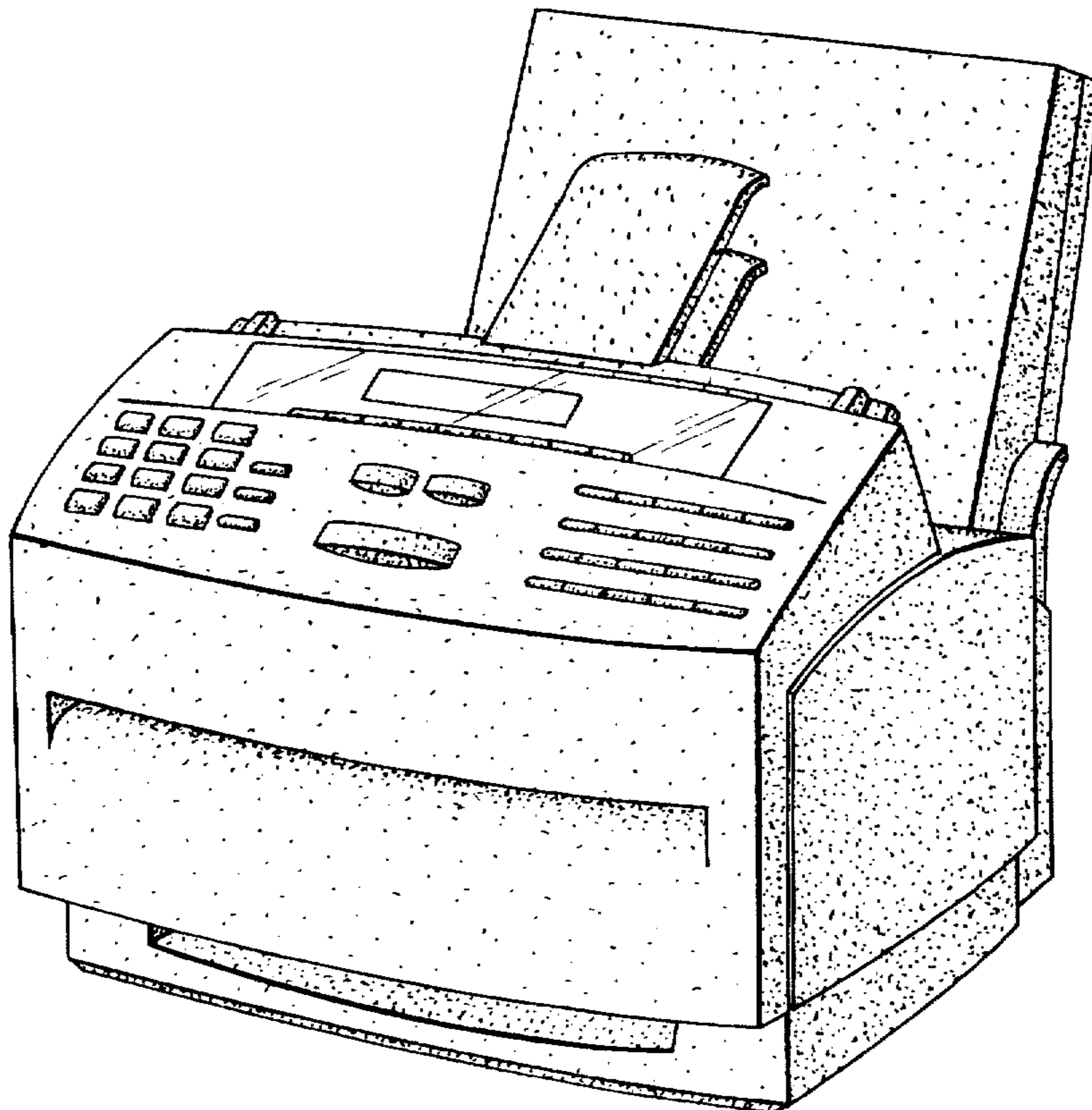
[57] **CLAIM**

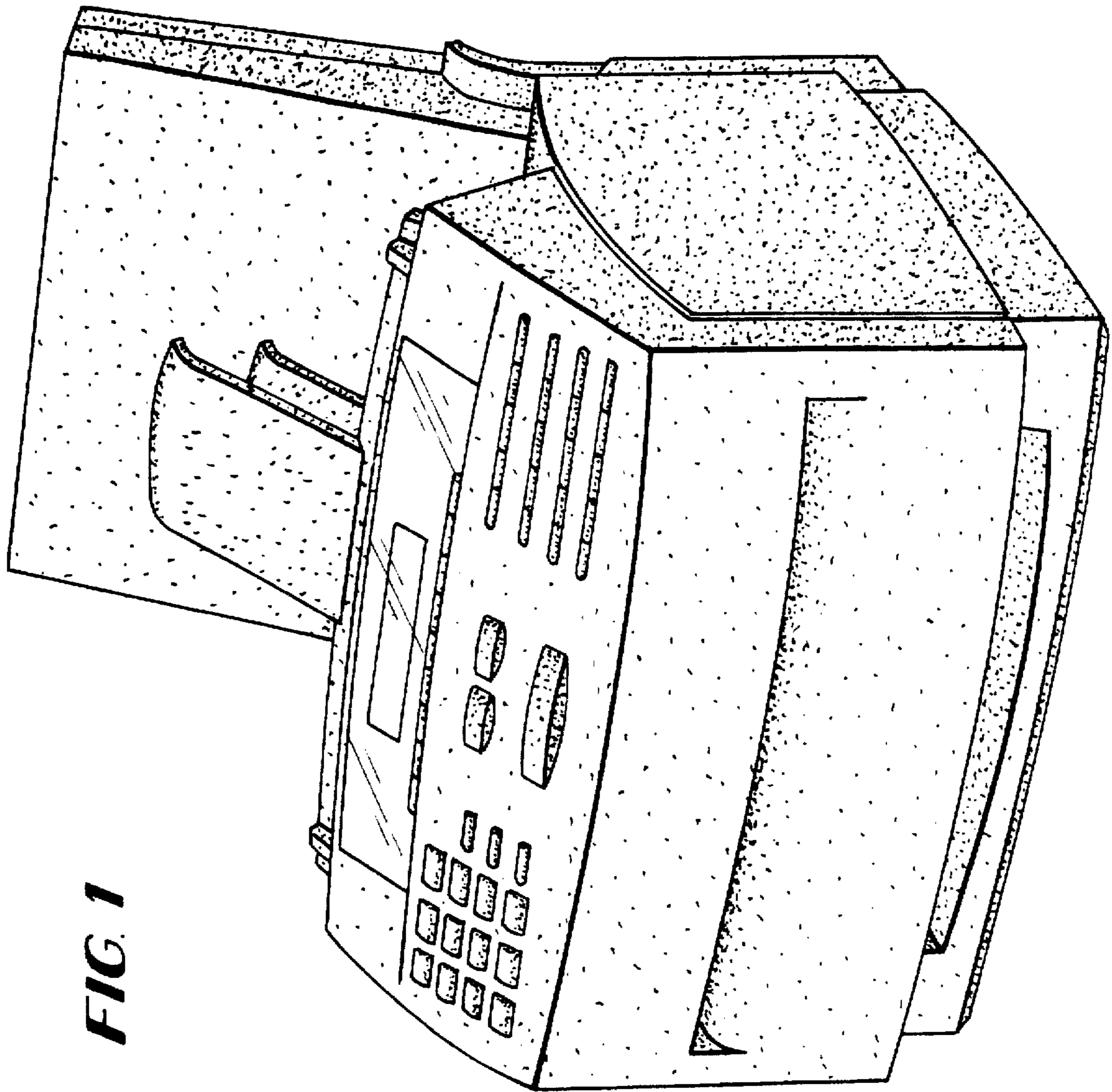
The ornamental design for a "printer", as shown and described.

**DESCRIPTION**

FIG. 1 is a top, front and right side perspective view of a printer according to my design;  
FIG. 2 is a top plan view thereof;  
FIG. 3 is a front elevational view thereof;  
FIG. 4 is a right side elevational thereof;  
FIG. 5 is a rear elevational view thereof;  
FIG. 6 is a left side elevational view thereof; and,  
FIG. 7 is a bottom plan view thereof.

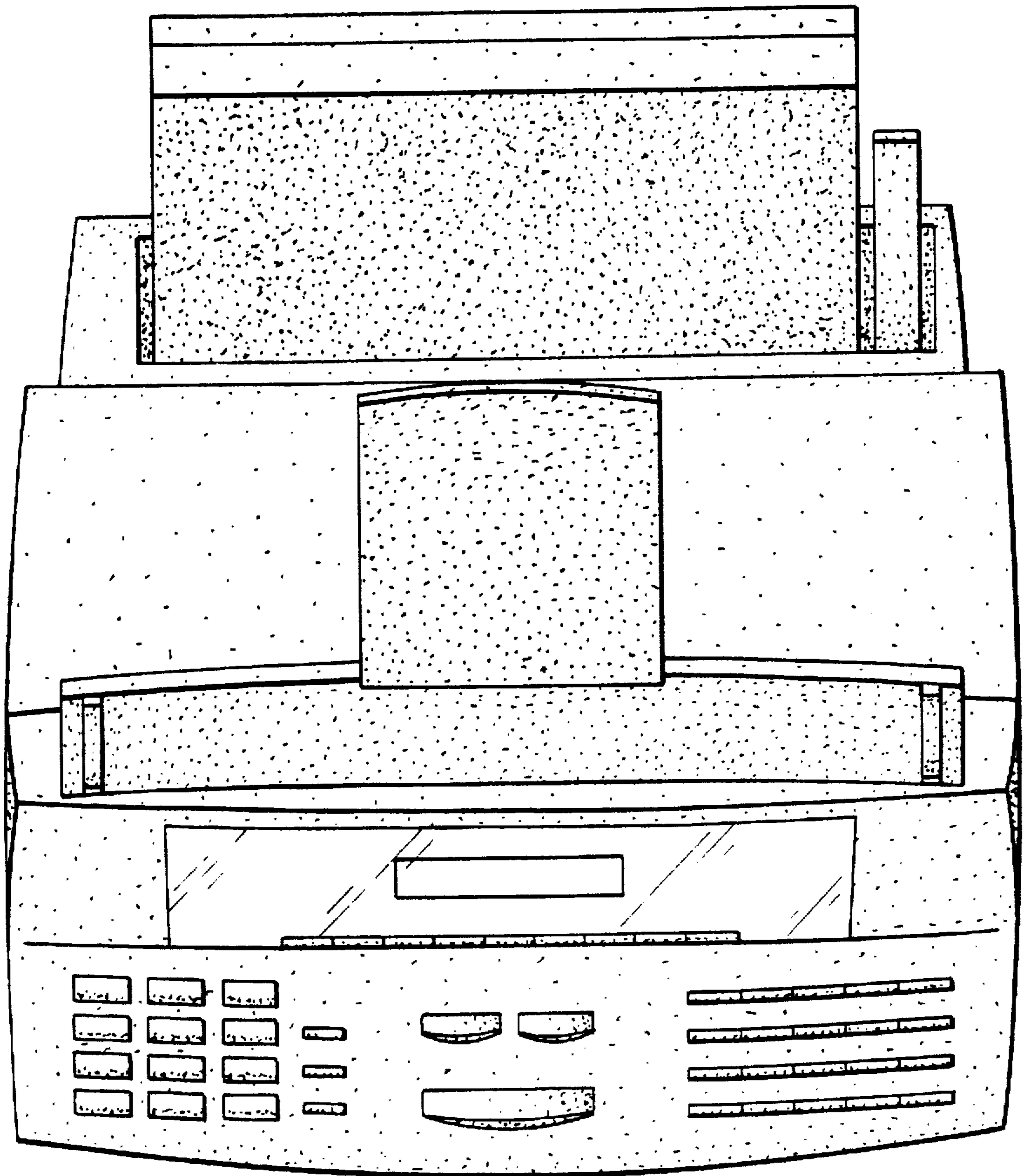
**1 Claim, 7 Drawing Sheets**



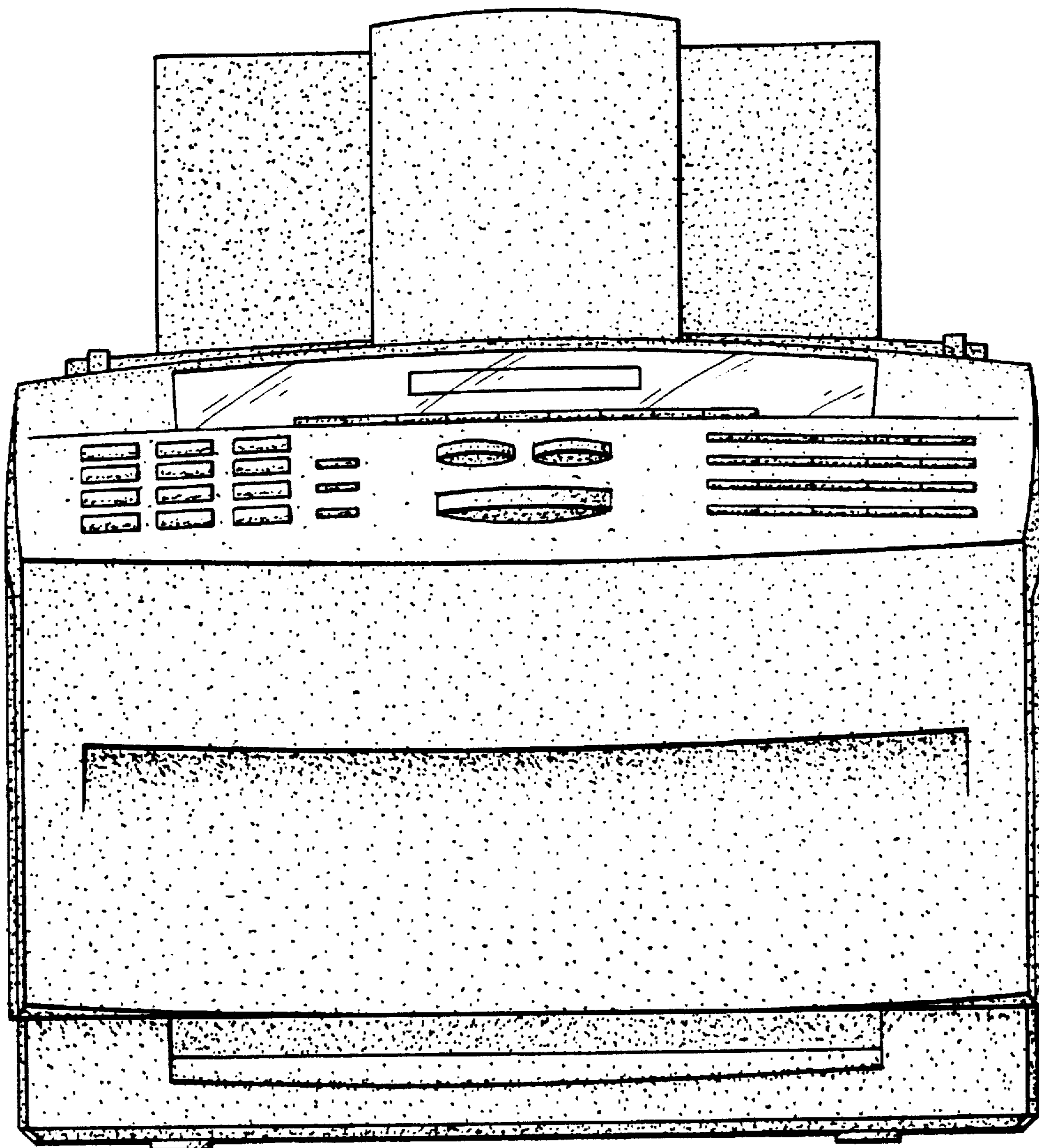


**FIG. 1**

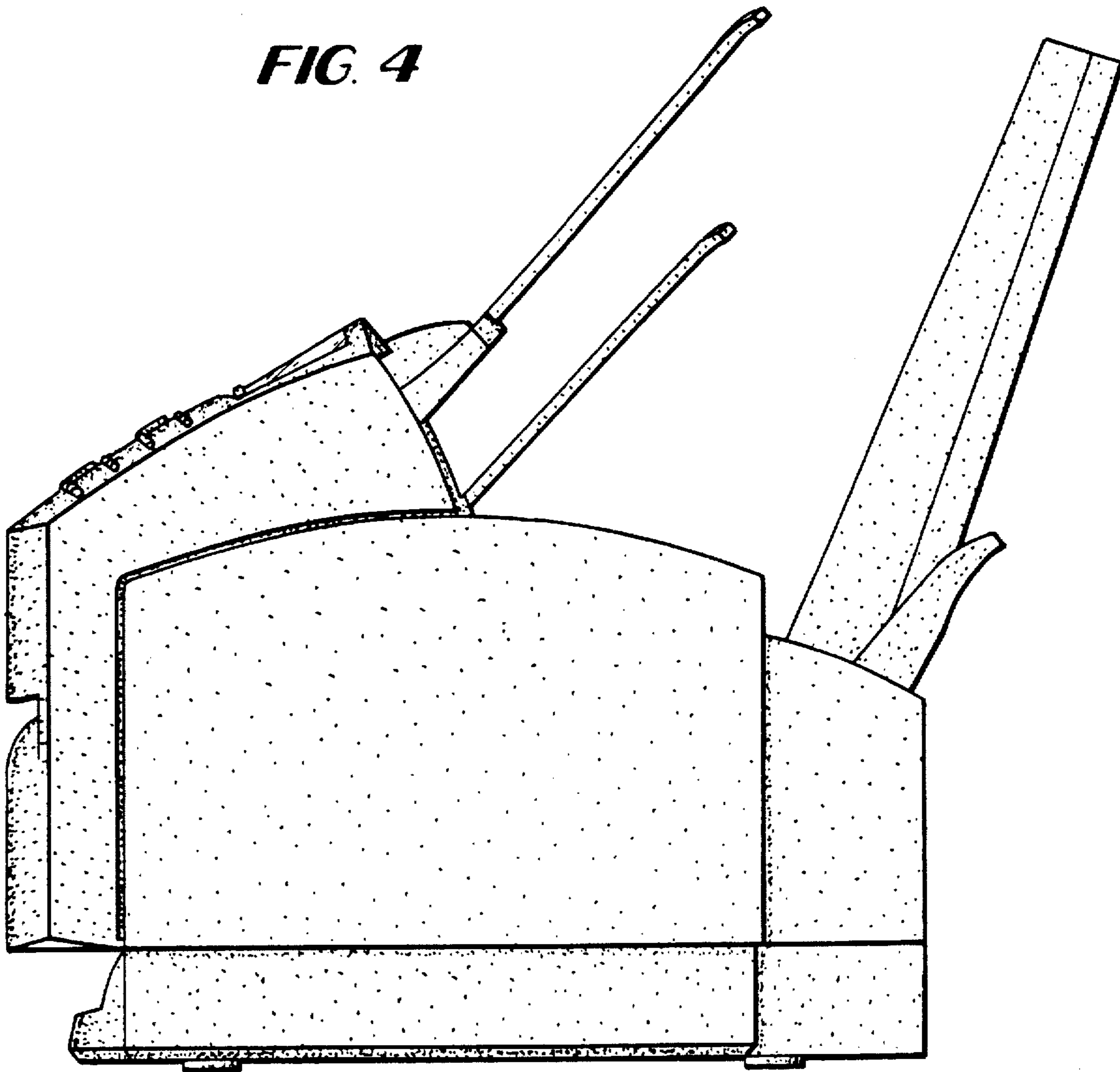
**FIG 2**



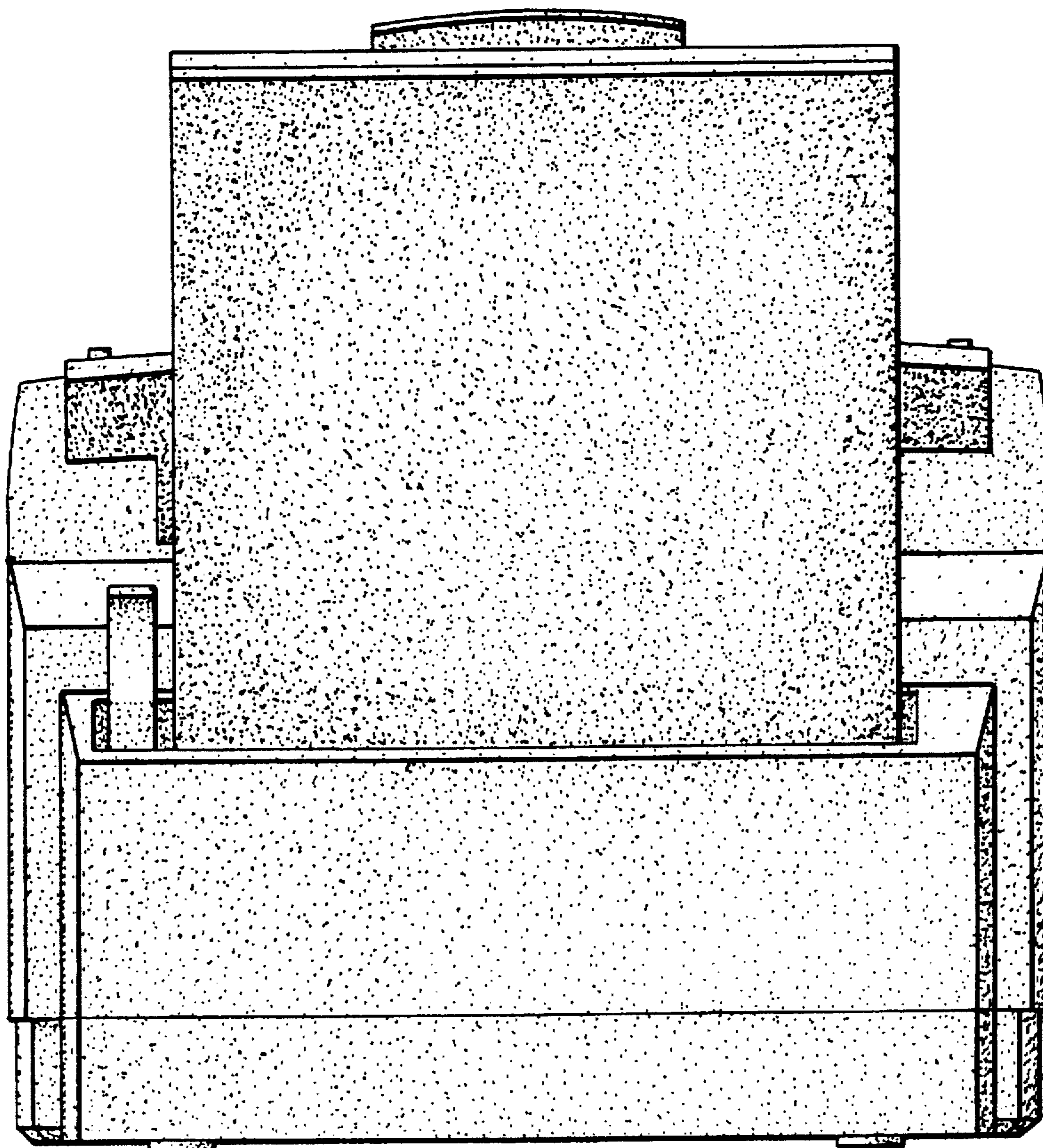
**FIG. 3**

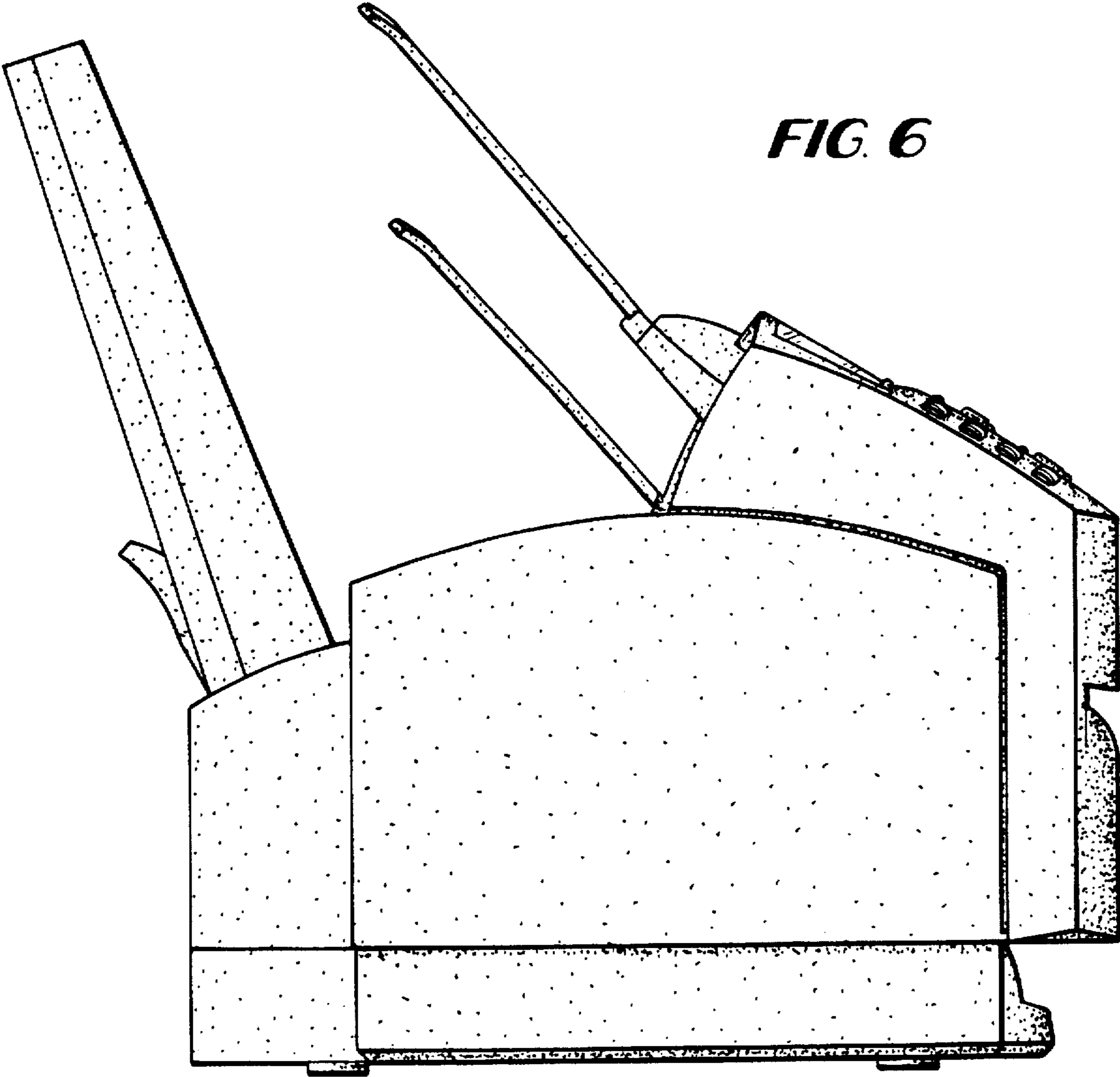


**FIG. 4**



**FIG. 5**





**FIG. 7**

