



US00D397709S

# United States Patent [19]

Park et al.

[11] Patent Number: **Des. 397,709**

[45] Date of Patent: **\*\*Sep. 1, 1998**

[54] **VIDEO PROJECTOR**

3,459,475 8/1969 Lucas ..... 353/DIG. 4

[75] Inventors: **Hee-Seong Park**, Kyungki-do; **Mi-Rae Mun**, Seoul, both of Rep. of Korea

[73] Assignee: **Samsung Aerospace Industries, Ltd.**, Kyeongsangnam-do, Rep. of Korea

[\*\*] Term: **14 Years**

[21] Appl. No.: **57,467**

[22] Filed: **Jul. 26, 1996**

[30] **Foreign Application Priority Data**

Jan. 26, 1996 [KR] Rep. of Korea ..... 1996-1201

[51] LOC (6) Cl. .... **16-02**

[52] U.S. Cl. .... **D16/232; D16/234**

[58] **Field of Search** ..... D16/221, 225, D16/229, 230, 231, 232, 233, 234; 353/61, 66, 119, 122, DIG. 3, DIG. 4, DIG. 5

[56] **References Cited**

**U.S. PATENT DOCUMENTS**

- D. 266,429 10/1982 Overman ..... D16/232
- D. 290,264 6/1987 Overman ..... D16/232
- D. 365,836 1/1996 Hasegawa ..... D16/232
- 3,293,982 12/1966 Appeldorn ..... 235/DIG. 4

**OTHER PUBLICATIONS**

Gallant Overhead Projectors Catalog, p. 5 (Model 88 Projector) Apr. 3, 1968.

*Primary Examiner*—Philip S. Hyder  
*Assistant Examiner*—Adir Aronovich  
*Attorney, Agent, or Firm*—Finnegan, Henderson, Farabow, Garrett & Dunner, L.L.P.

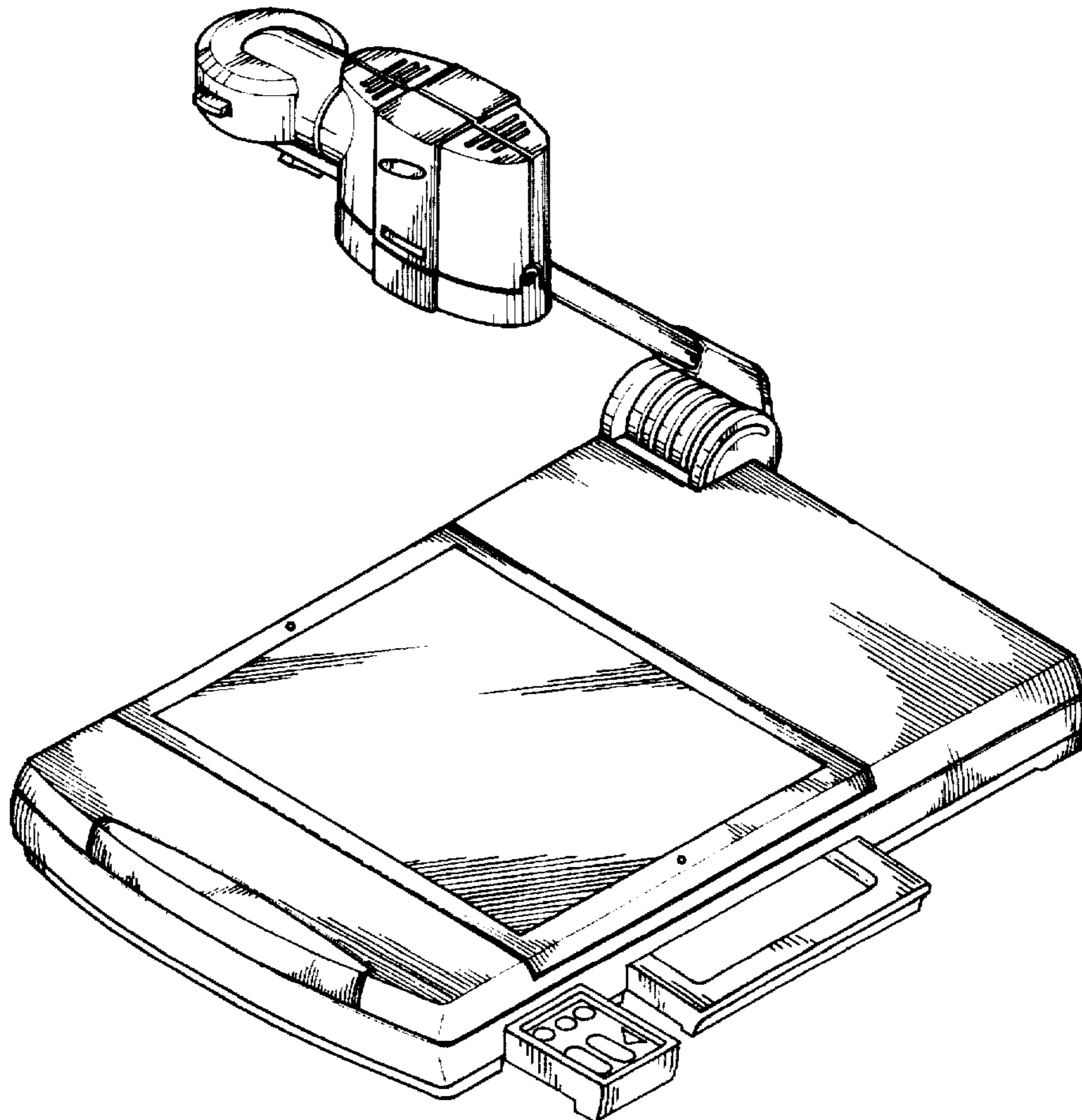
[57] **CLAIM**

The ornamental design for a video projector, as shown and described.

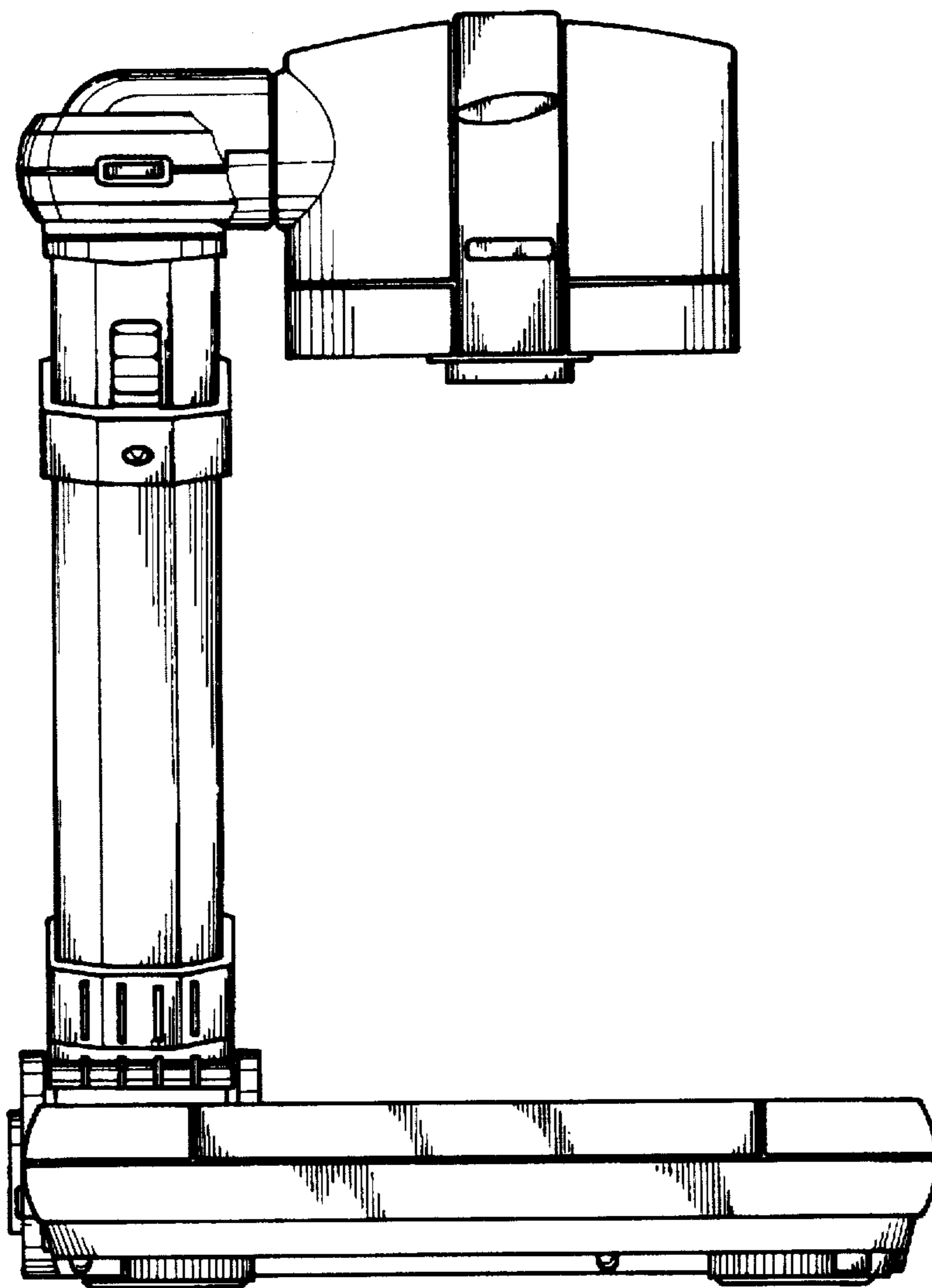
**DESCRIPTION**

FIG. 1 is a front elevational view of a video projector embodying our design;  
FIG. 2 is a rear elevational view thereof;  
FIG. 3 is a top plan view thereof;  
FIG. 4 is a bottom plan view thereof;  
FIG. 5 is a left side elevational view thereof;  
FIG. 6 is a right side elevational view thereof;  
FIG. 7 is a top-right-front perspective view thereof; and,  
FIG. 8 is a perspective view thereof, illustrating the handle and control panel of the video projector in an open position.

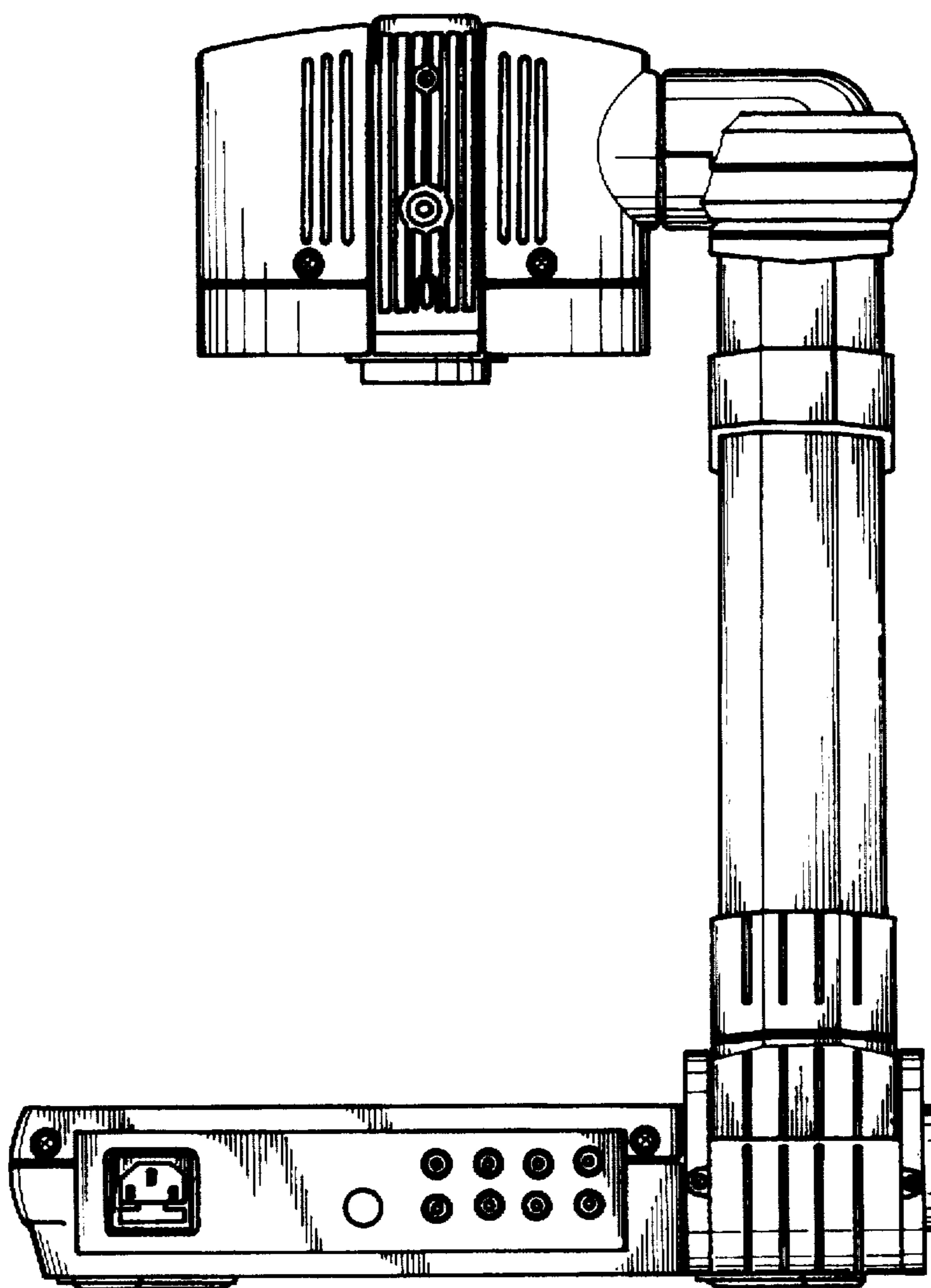
**1 Claim, 8 Drawing Sheets**



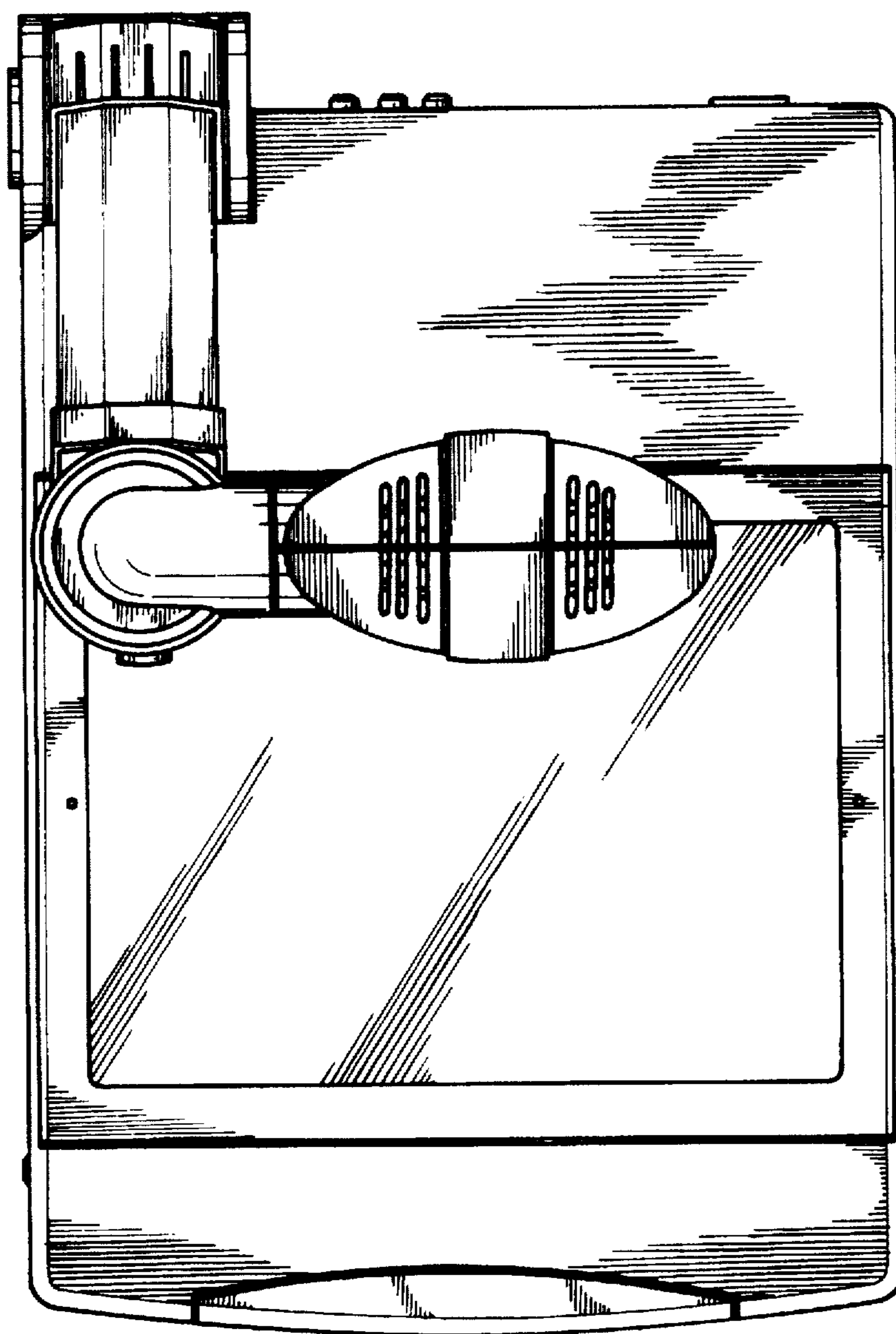
**FIG. 1**



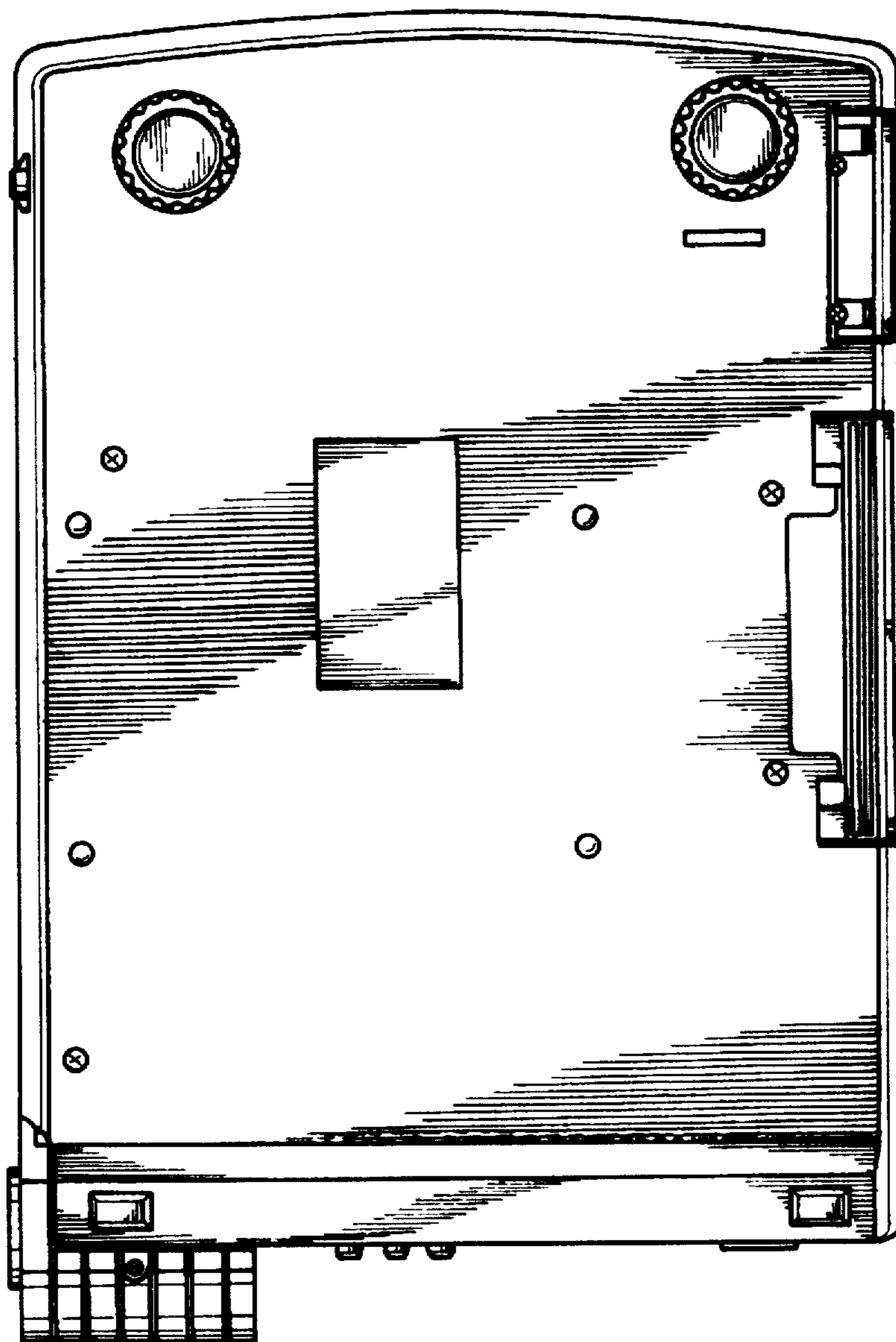
**FIG. 2**



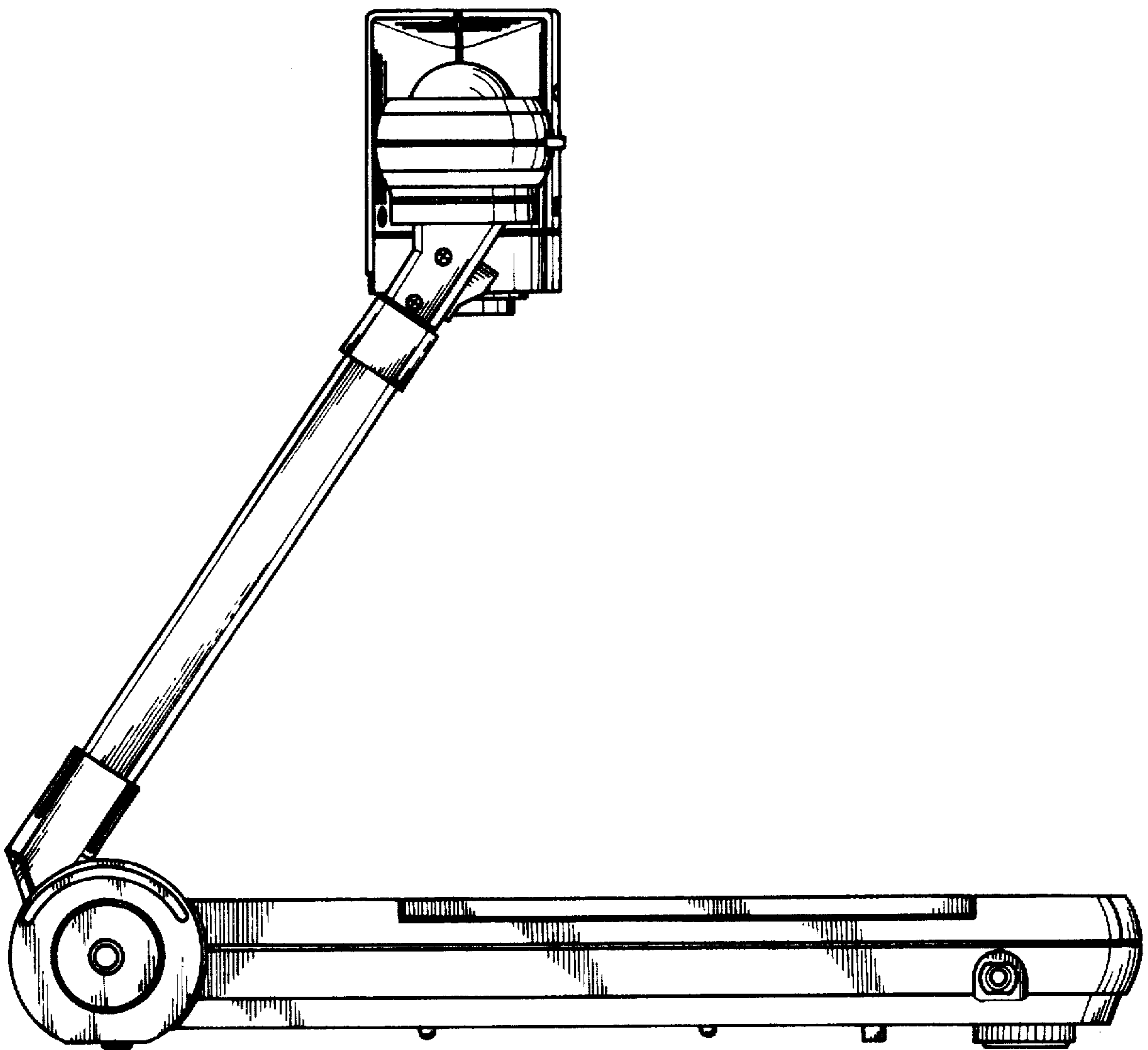
**FIG. 3**



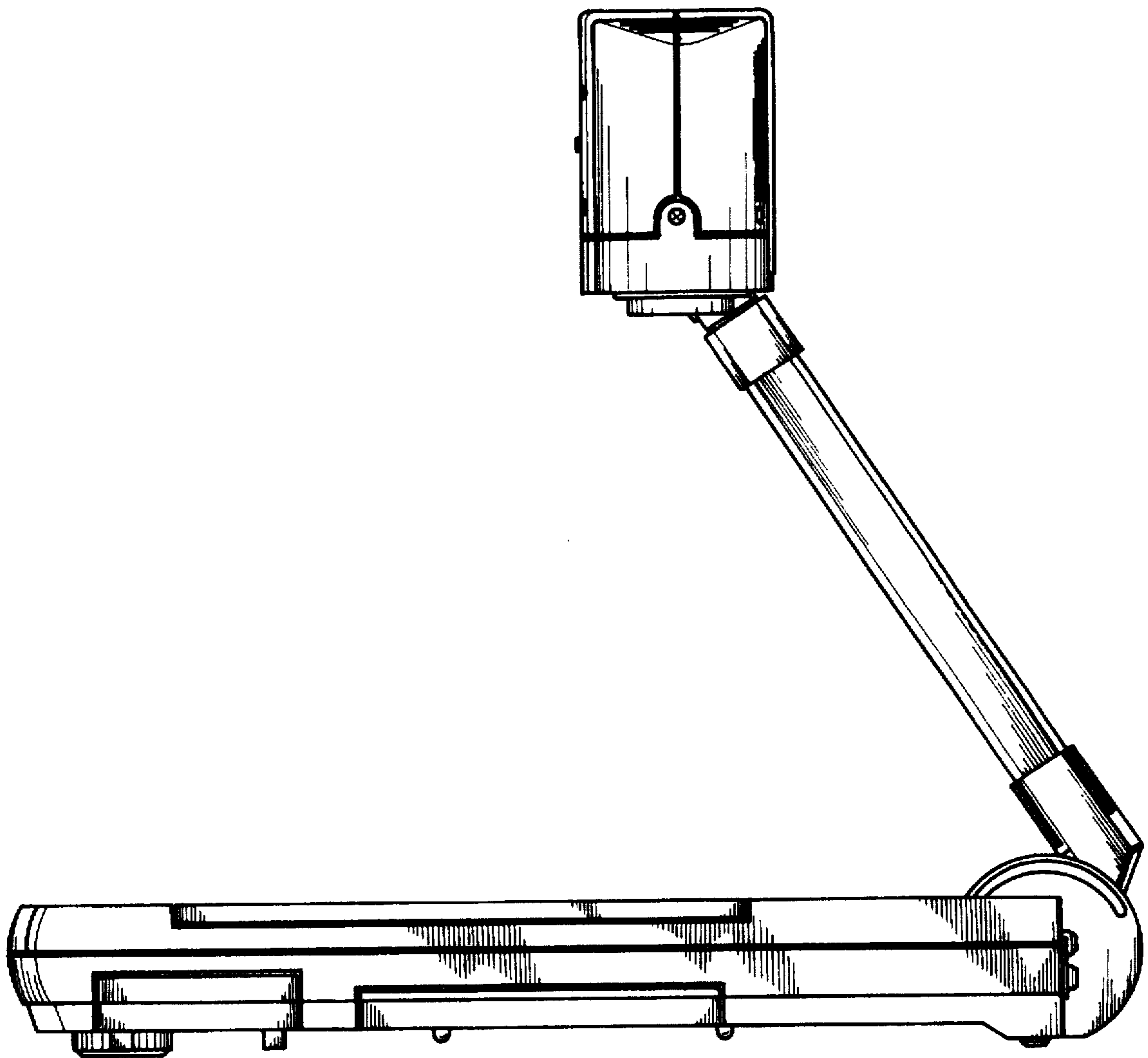
**FIG. 4**



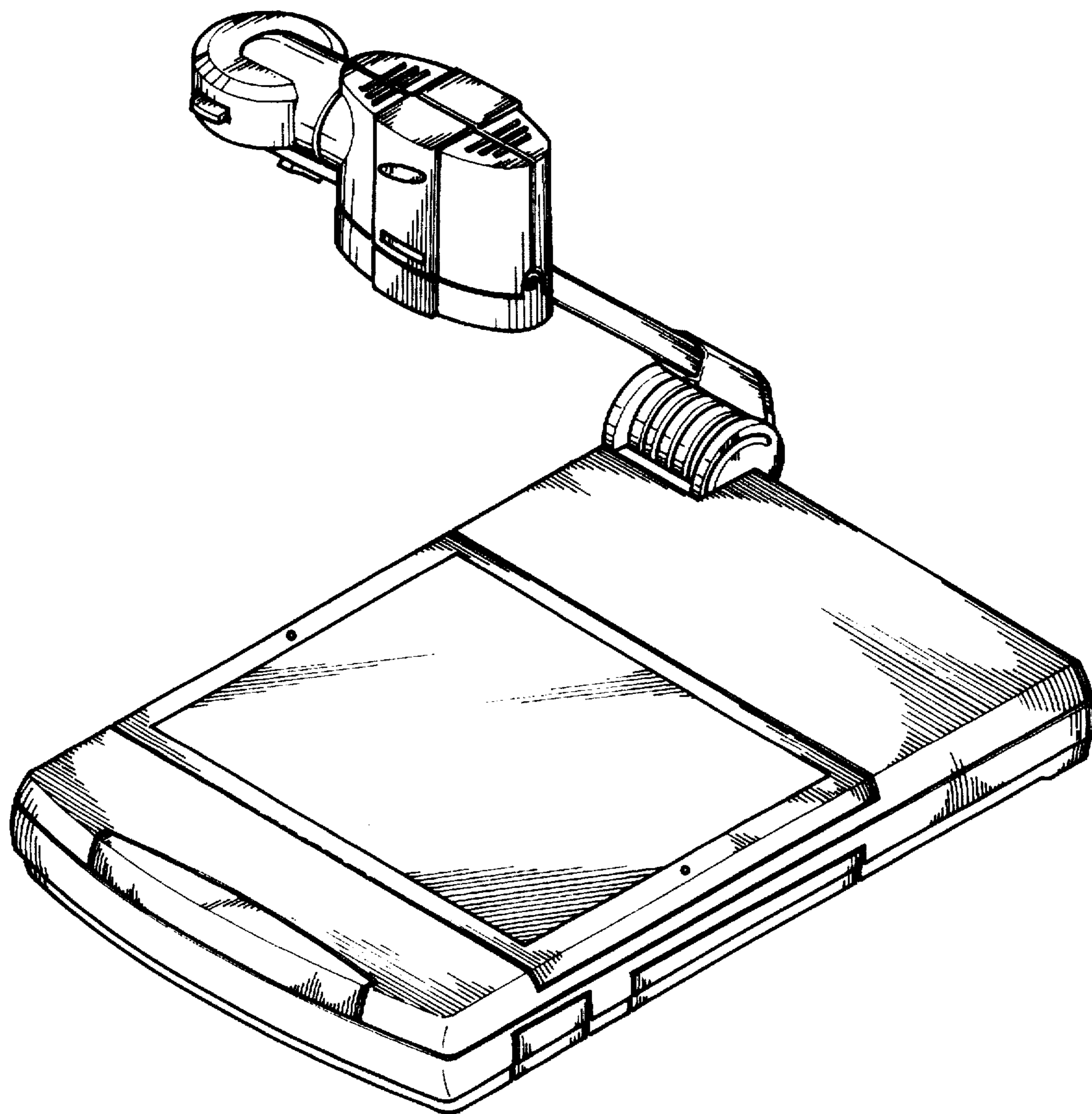
**FIG. 5**



**FIG. 6**

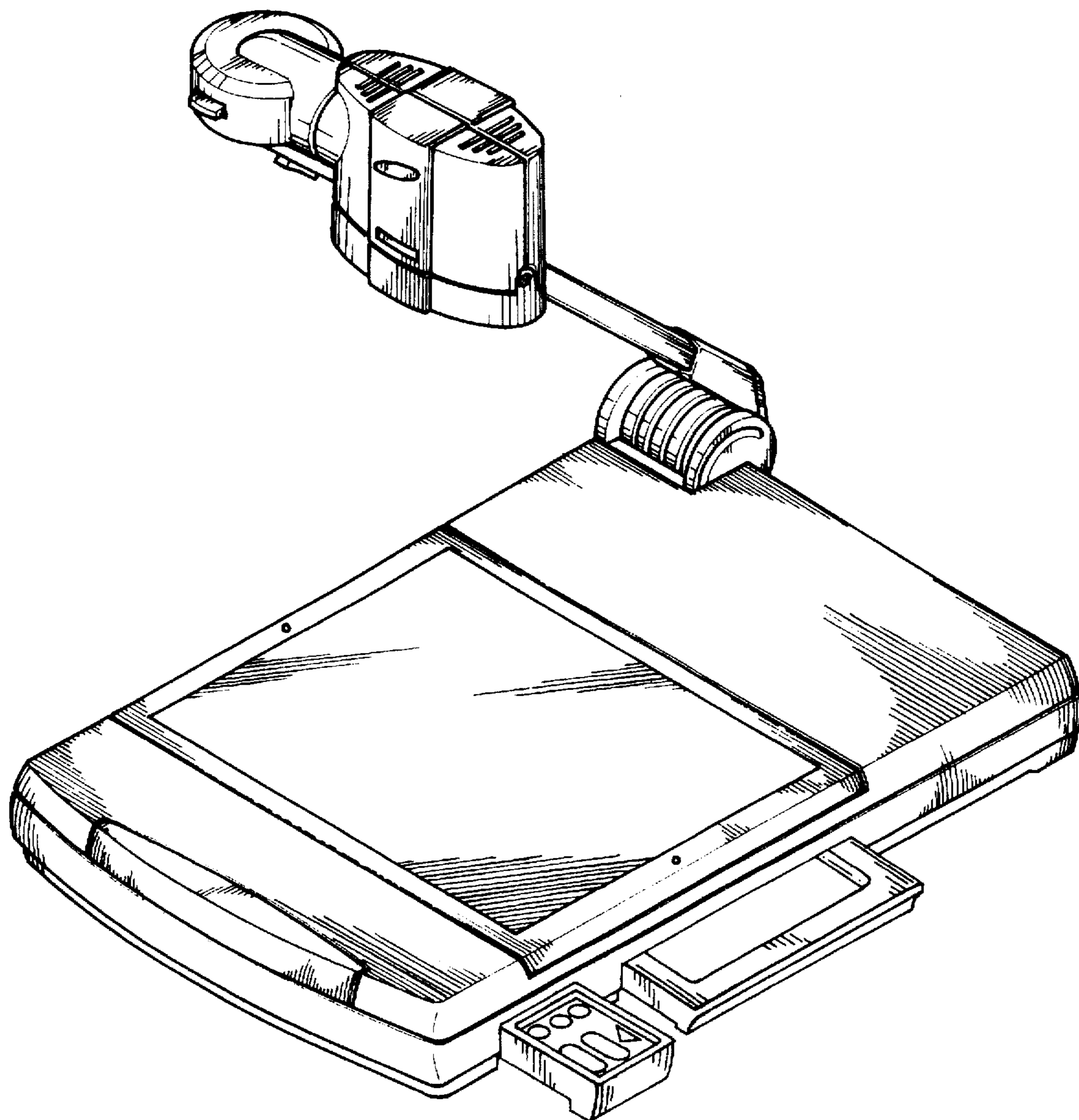


**FIG. 7**





**FIG. 8**



UNITED STATES PATENT AND TRADEMARK OFFICE  
**CERTIFICATE OF CORRECTION**

PATENT NO. : Des. 397,709  
DATED : September 1, 1998  
INVENTOR(S) : Hee-Seong PARK et al.

It is certified that error appears in the above-identified patent and that said Letters Patent is hereby corrected as shown below:

Title Page, Col. 1, item [54], in the title, "VIDEO PROJECTOR"  
should read --VIDEO PRESENTER--.

Signed and Sealed this  
Eighteenth Day of April, 2000

*Attest:*



Q. TODD DICKINSON

*Attesting Officer*

*Director of Patents and Trademarks*