



US00D397706S

United States Patent [19]
Shibata

[11] **Patent Number:** **Des. 397,706**
[45] **Date of Patent:** ****Sep. 1, 1998**

[54] **ELECTRONIC STILL CAMERA**

827486 1/1992 Japan .
8-125900 5/1996 Japan H04N 5/225

[75] **Inventor:** **Yuuki Shibata**, Yokohama, Japan

OTHER PUBLICATIONS

[73] **Assignee:** **Kabushiki Kaisha Toshiba**, Kawasaki, Japan

Denpa Shinbun (Newspaper) extract of Power shot 600, May 14, 1996.

[**] **Term:** **14 Years**

Seiko Epson Catalog of a digital camera CP-100, Jun. 7, 1996.

[21] **Appl. No.:** **72,472**

Primary Examiner—Sandra L. Morris

[22] **Filed:** **Jun. 25, 1997**

Assistant Examiner—Adir Aronovich

[30] **Foreign Application Priority Data**

Attorney, Agent, or Firm—Oblon, Spivak, McClelland, Maier & Neustadt, P.C.

Dec. 26, 1996 [JP] Japan 8-39034

[57] **CLAIM**

[51] **LOC (6) Cl.** **16-01**

The ornamental design for an electronic still camera, as shown and described.

[52] **U.S. Cl.** **D16/202; D16/208; D16/218**

[58] **Field of Search** **D16/200-206, D16/208, 209, 216-218; 348/373-376; 358/906, 909.1; 396/535-543; H04N 5/225**

DESCRIPTION

[56] **References Cited**

FIG. 1 is a front, top and right side perspective view of an electronic still camera, showing my new design;

U.S. PATENT DOCUMENTS

- D. 369,372 4/1996 Ishikawa D16/202
- D. 371,377 7/1996 Miyahara D16/202
- D. 387,078 12/1997 Akita D16/202
- D. 387,366 12/1997 Matsuda D16/209
- 4,530,014 7/1985 D'Alayer de Costemore d'Arc ... 358/909.1

FIG. 2 is a top plan view thereof;

FIG. 3 is a left side elevational view thereof;

FIG. 4 is a front elevational view thereof;

FIG. 5 is a right side elevational view thereof;

FIG. 6 is a bottom plan view thereof;

FIG. 7 is a rear elevational view thereof;

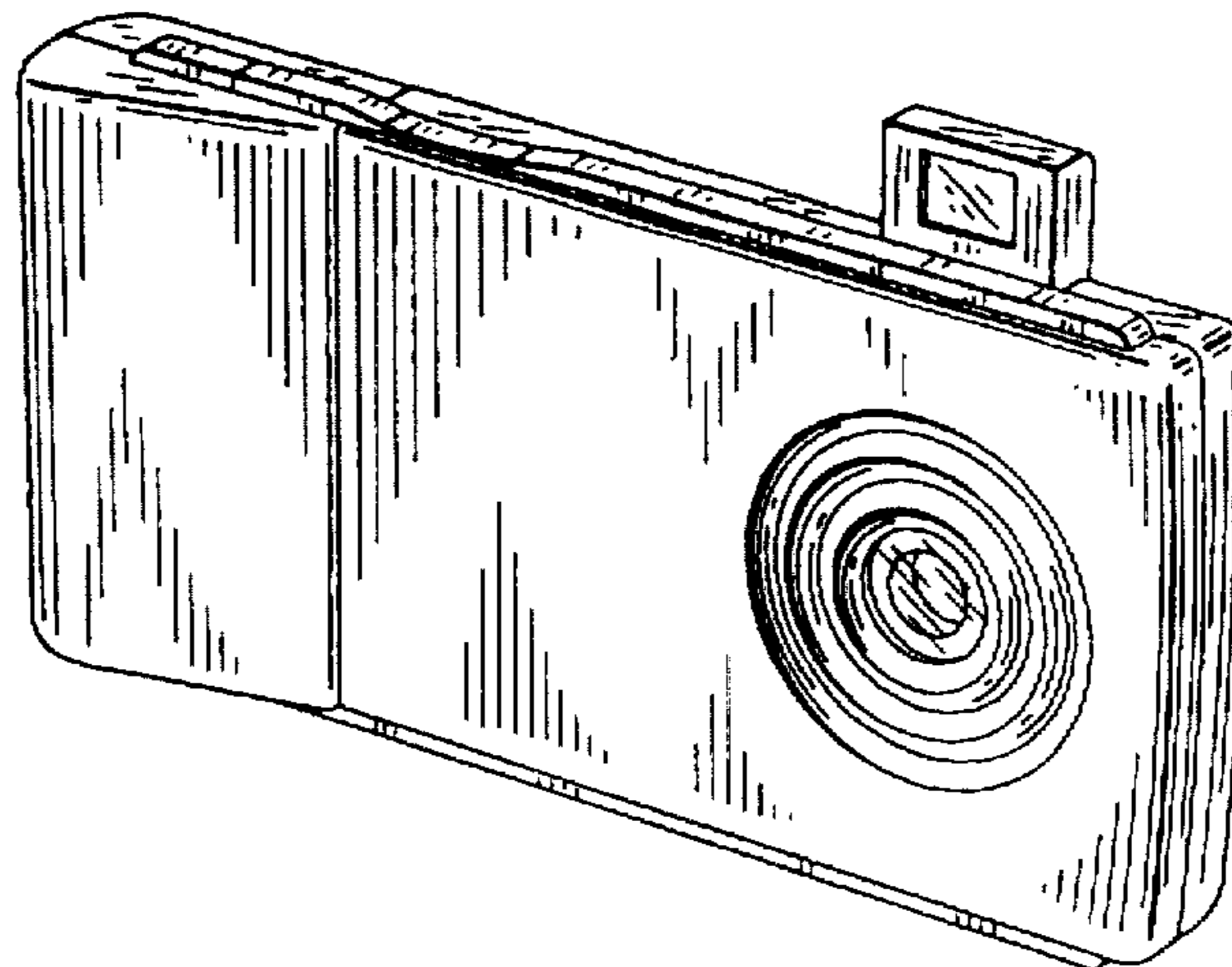
FIG. 8 is a top plan view with a battery case removed and a finder retracted; and,

FIG. 9 is a front elevational view with the battery case removed and the finder retracted.

FOREIGN PATENT DOCUMENTS

- 815382 8/1991 Japan .
- 827485 1/1992 Japan .

1 Claim, 2 Drawing Sheets



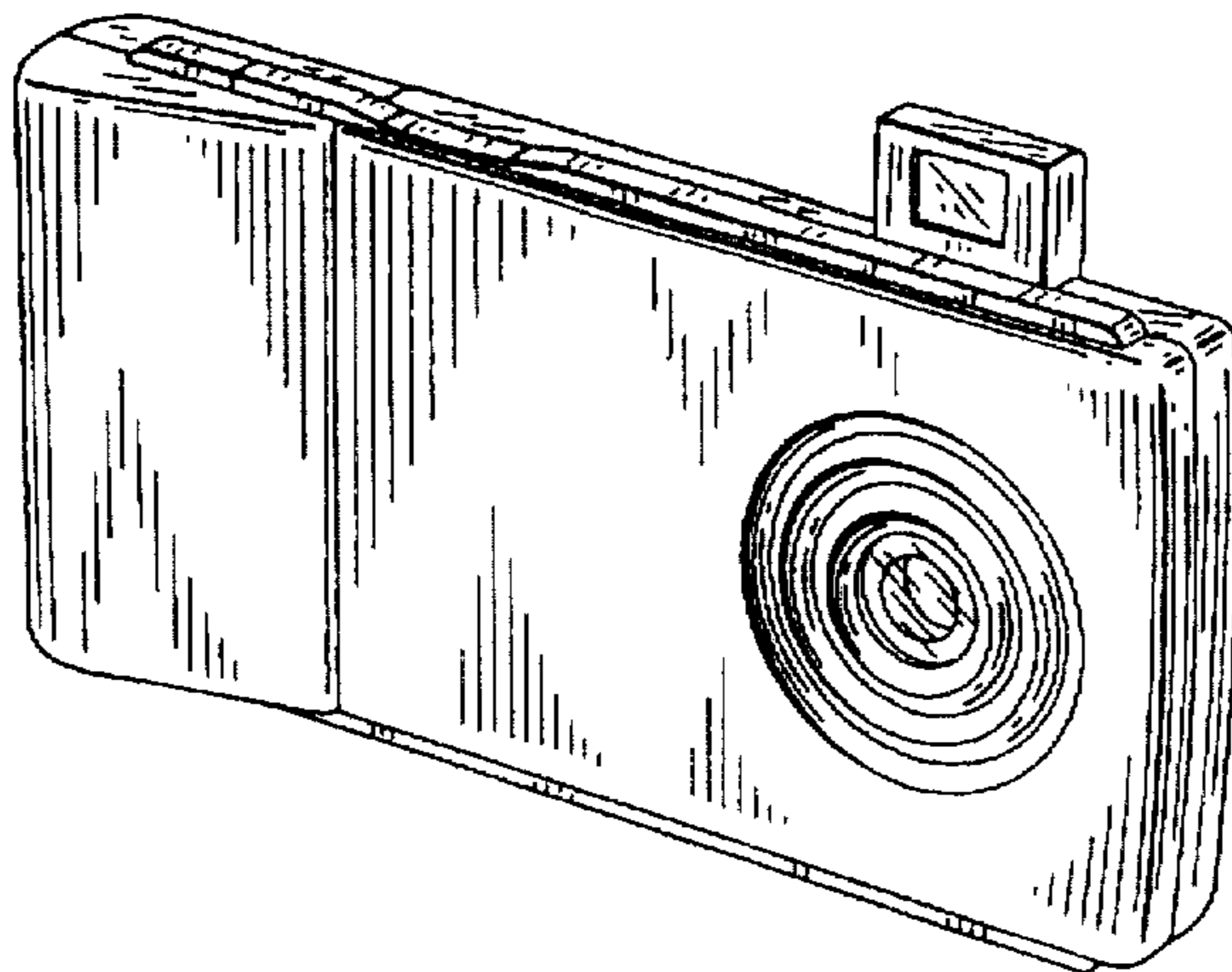


FIG. 1

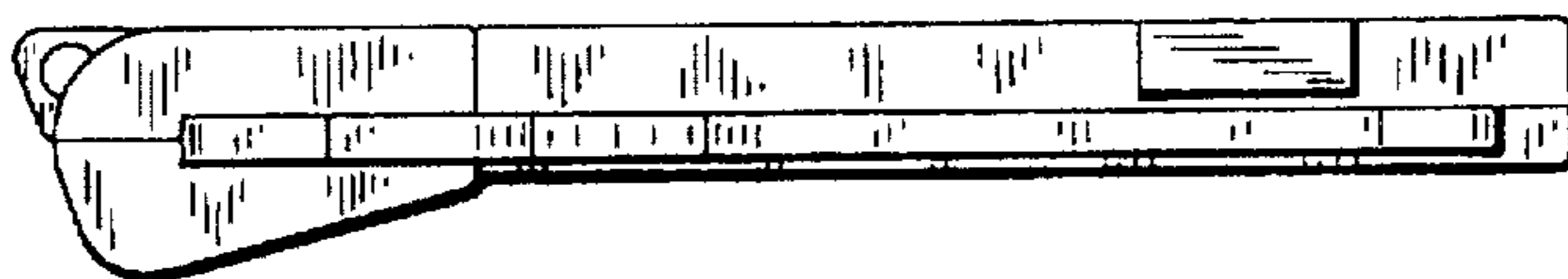


FIG. 2

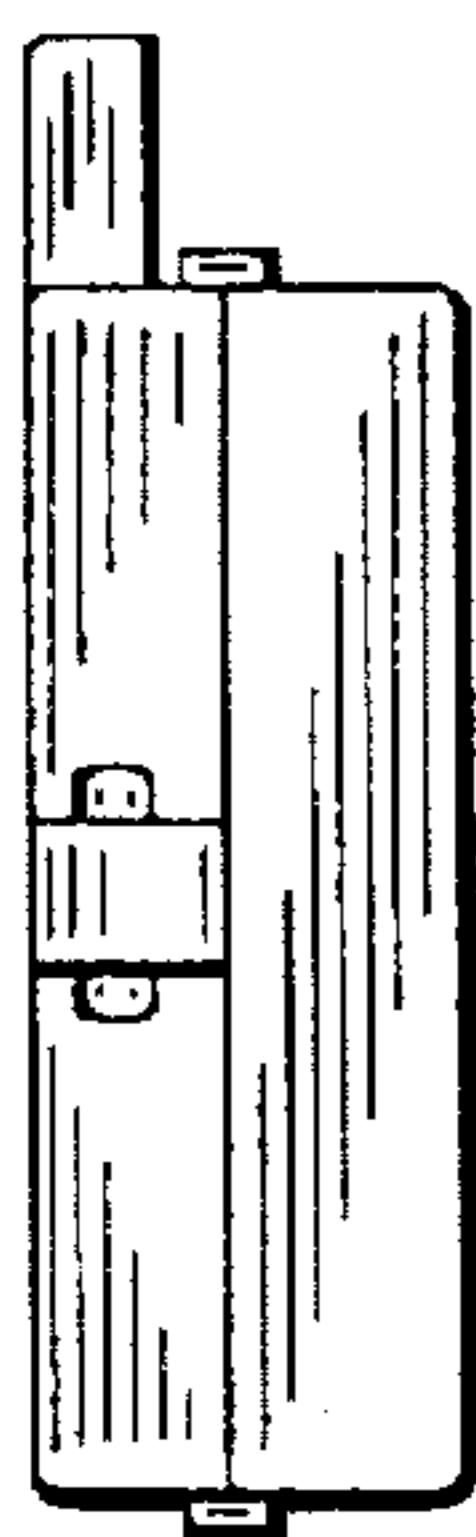


FIG. 3

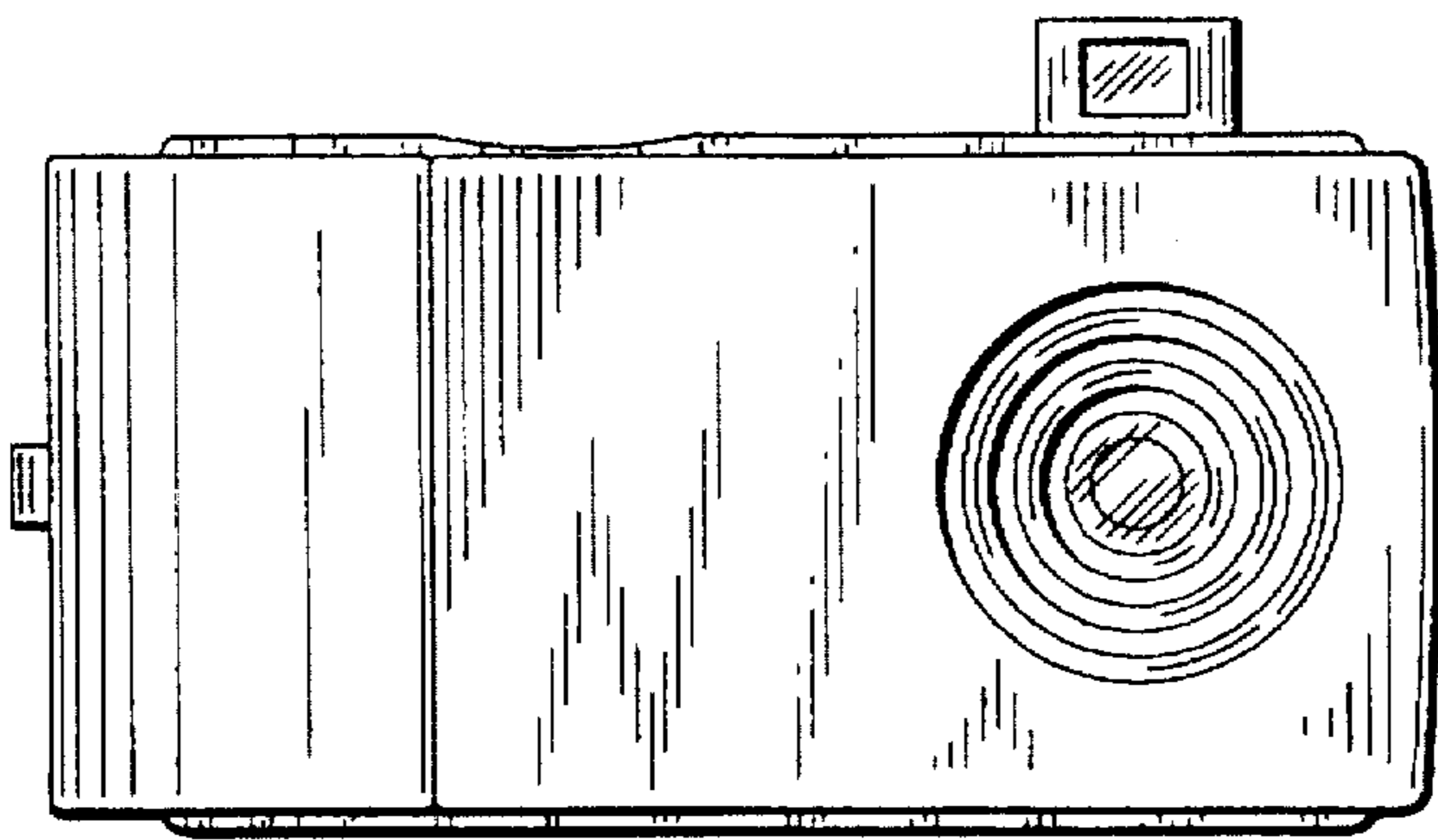


FIG. 4

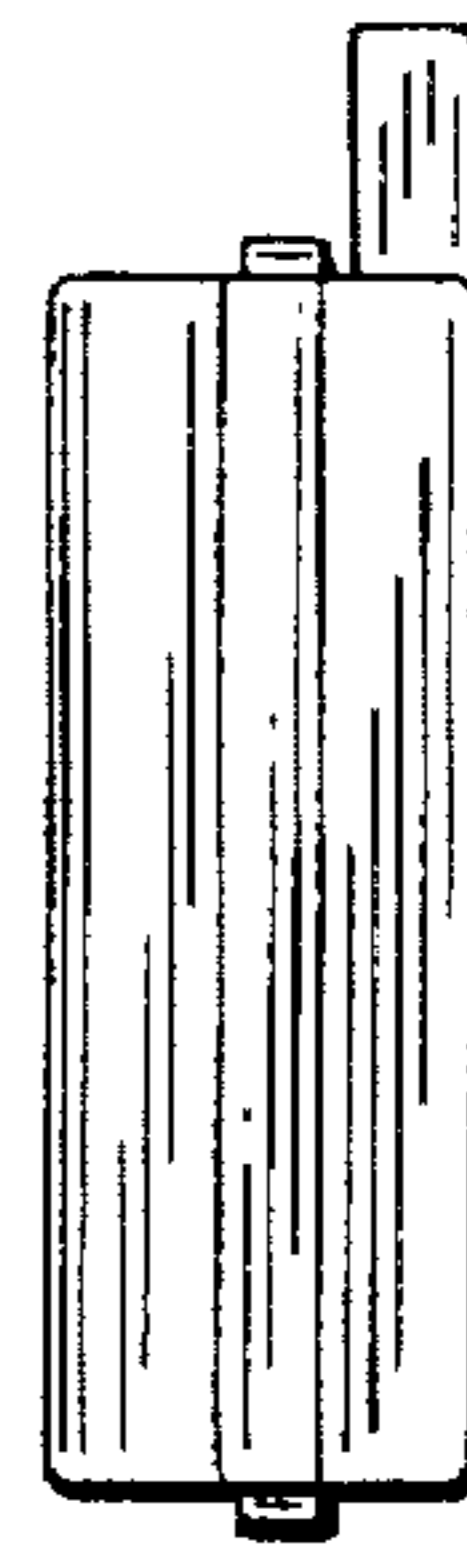


FIG. 5

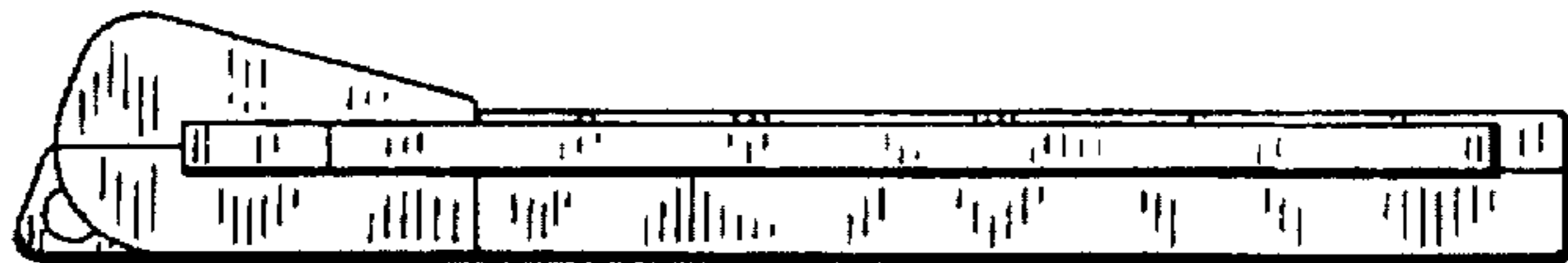


FIG. 6

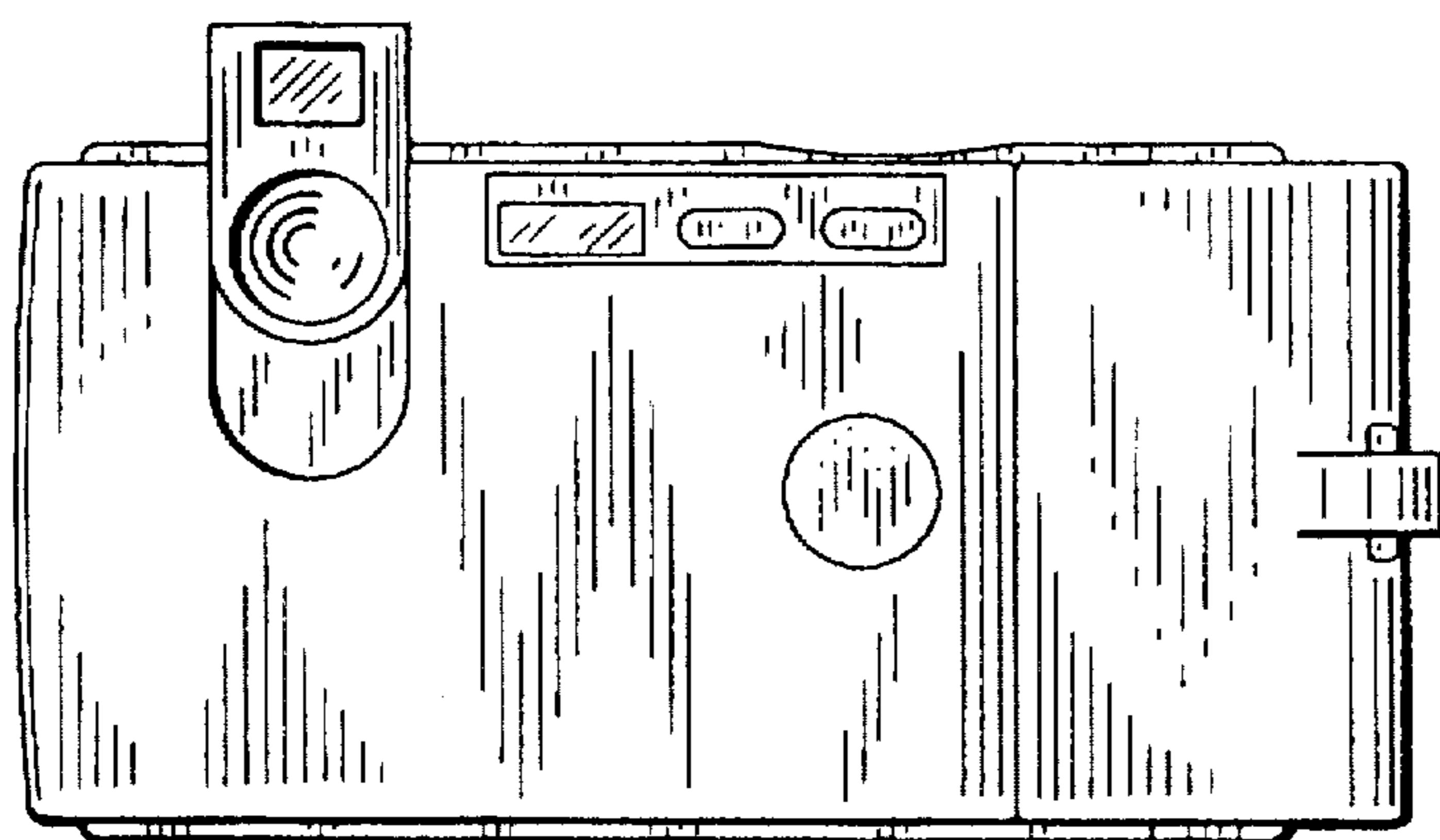


FIG. 7

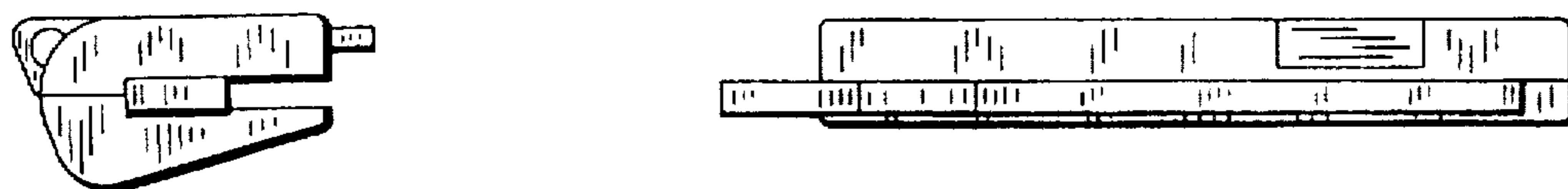


FIG. 8

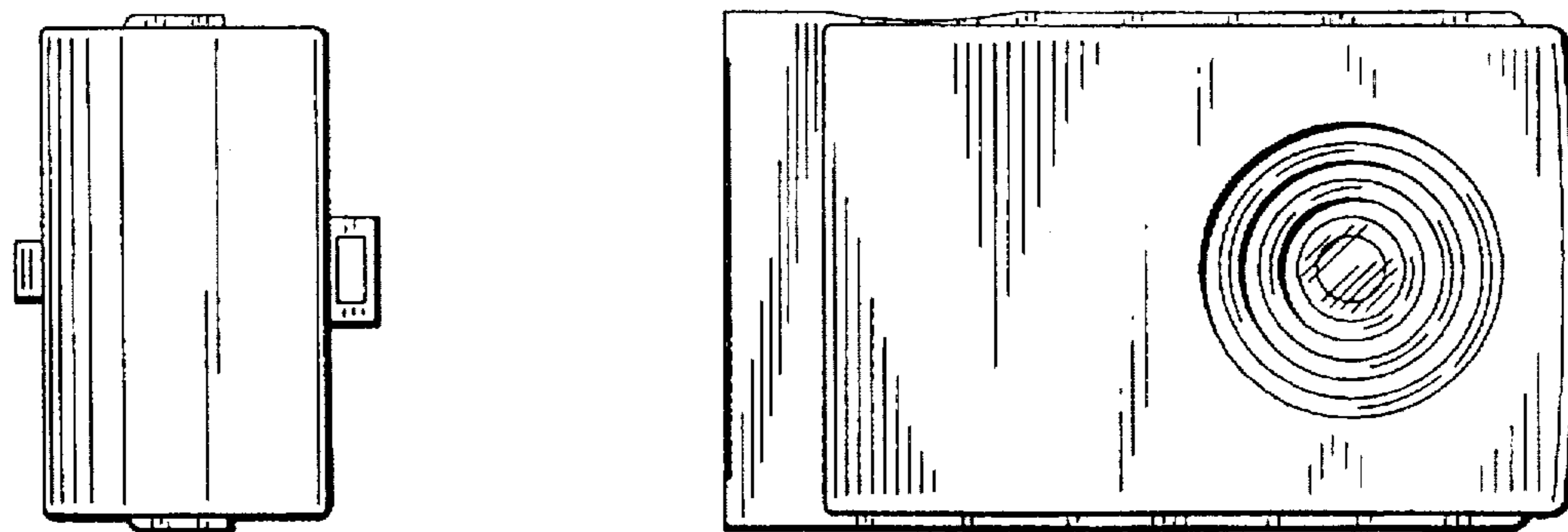


FIG. 9