



US00D397705S

United States Patent [19]

Yang et al.

[11] Patent Number: **Des. 397,705**

[45] Date of Patent: ****Sep. 1, 1998**

[54] SPHERICAL BINOCULARS

[76] Inventors: **Jianmin Yang; Chuan Wan**, both of Building 5, Room 205, So Jin Village, Nanjing, Jiangsu, China

[**] Term: **14 Years**

[21] Appl. No.: **69,937**

[22] Filed: **Apr. 18, 1997**

[51] LOC (6) Cl. **16-06**

[52] U.S. Cl. **D16/133**

[58] Field of Search D16/130, 131, D16/132, 133; D14/143; 359/407, 408, 409, 410, 411, 412, 413, 414, 415, 416, 417, 418, 480, 481, 482

[56] References Cited

U.S. PATENT DOCUMENTS

- D. 80,064 12/1929 Werkstell et al. .
- D. 119,558 3/1940 Rieger .
- D. 229,445 11/1973 Hornschou .
- D. 248,189 6/1978 Loomis .
- D. 288,211 2/1987 Rabhi .
- D. 291,562 8/1987 Lee .
- D. 297,242 8/1988 Yamanaka .
- D. 300,039 2/1989 Huckenbeck .
- D. 310,137 8/1990 Mays .
- D. 311,013 10/1990 Wakayama et al. D16/133
- D. 321,700 11/1991 Smith .
- D. 330,037 10/1992 Wakayama .
- D. 340,078 10/1993 Turner .
- D. 347,441 5/1994 Lutter et al. .
- D. 349,009 7/1994 Minor .

- D. 374,678 10/1996 Yang et al. .
- D. 374,680 10/1996 Yang et al. .
- D. 375,968 11/1996 Ushiyama D16/133
- D. 379,188 5/1997 Ushiyama D16/133
- 2,375,634 5/1945 Dunning .
- 4,770,519 9/1988 Jacques .
- 4,984,879 1/1991 Plunkett .

OTHER PUBLICATIONS

Popular Science, Mar.-1992, p. 10, see Designer Glasses. Spencer Gifts, 1973, p. 49, see Musical "Big League" Jewelry Boxes. Hong Kong Toys, Feb.-1995, p. 242, see item #KT 7123. Hong Kong Enterprise, Oct.-1993, p. 481, see Ball Binos.

Primary Examiner—Paula A. Mortimer
Attorney, Agent, or Firm—Graham & James LLP

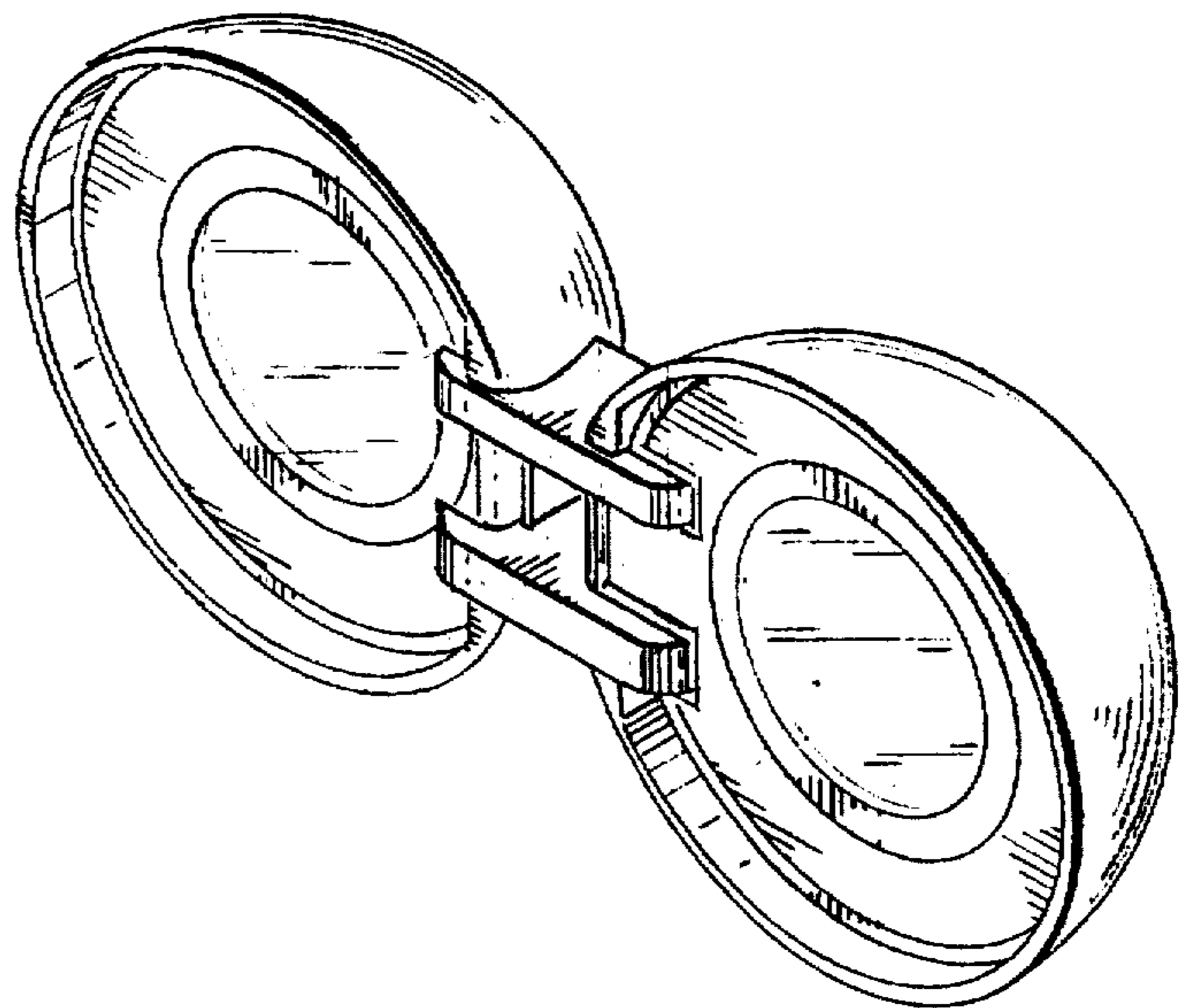
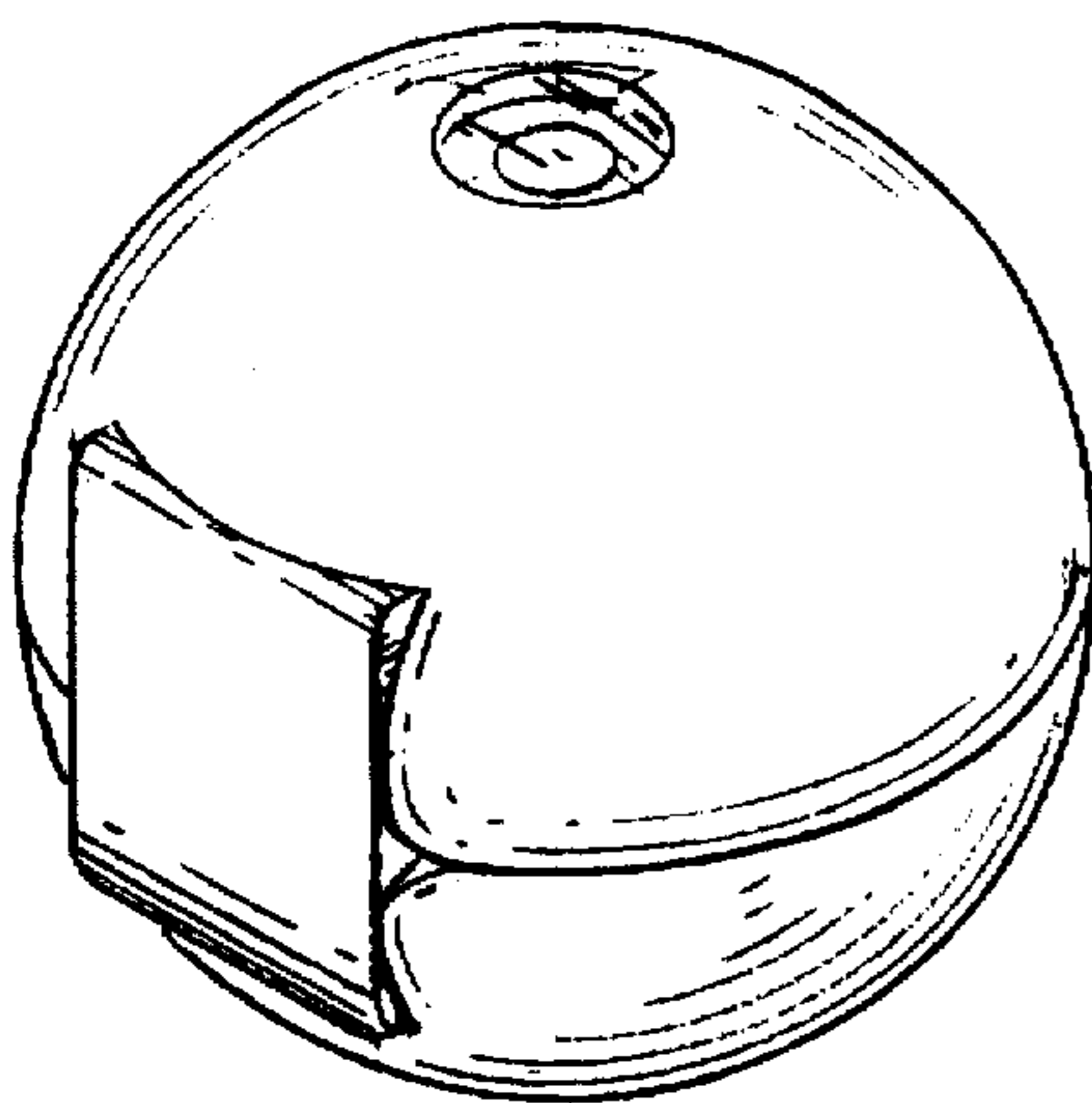
[57] CLAIM

The ornamental design for spherical binoculars, as shown and described.

DESCRIPTION

FIG. 1 is a rear perspective view of spherical binoculars showing our new design;
FIG. 2 is a front elevational view thereof;
FIG. 3 is a top plan view thereof;
FIG. 4 is a rear elevational view thereof;
FIG. 5 is a side elevational view thereof, the opposite side is a mirror image;
FIG. 6 is a front elevational view thereof, in an open position; and,
FIG. 7 is a front perspective view thereof.

1 Claim, 3 Drawing Sheets



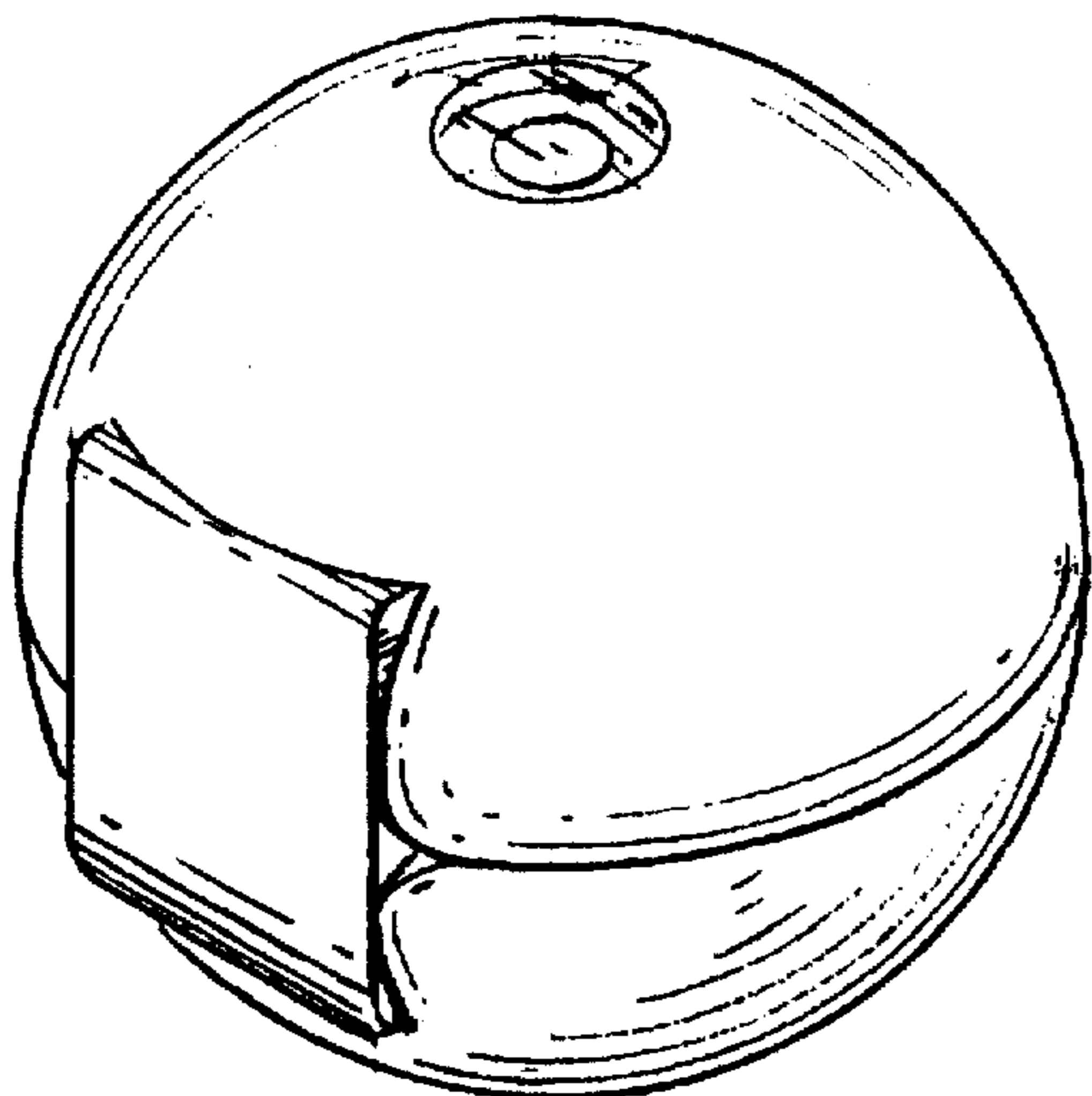


FIG. 1

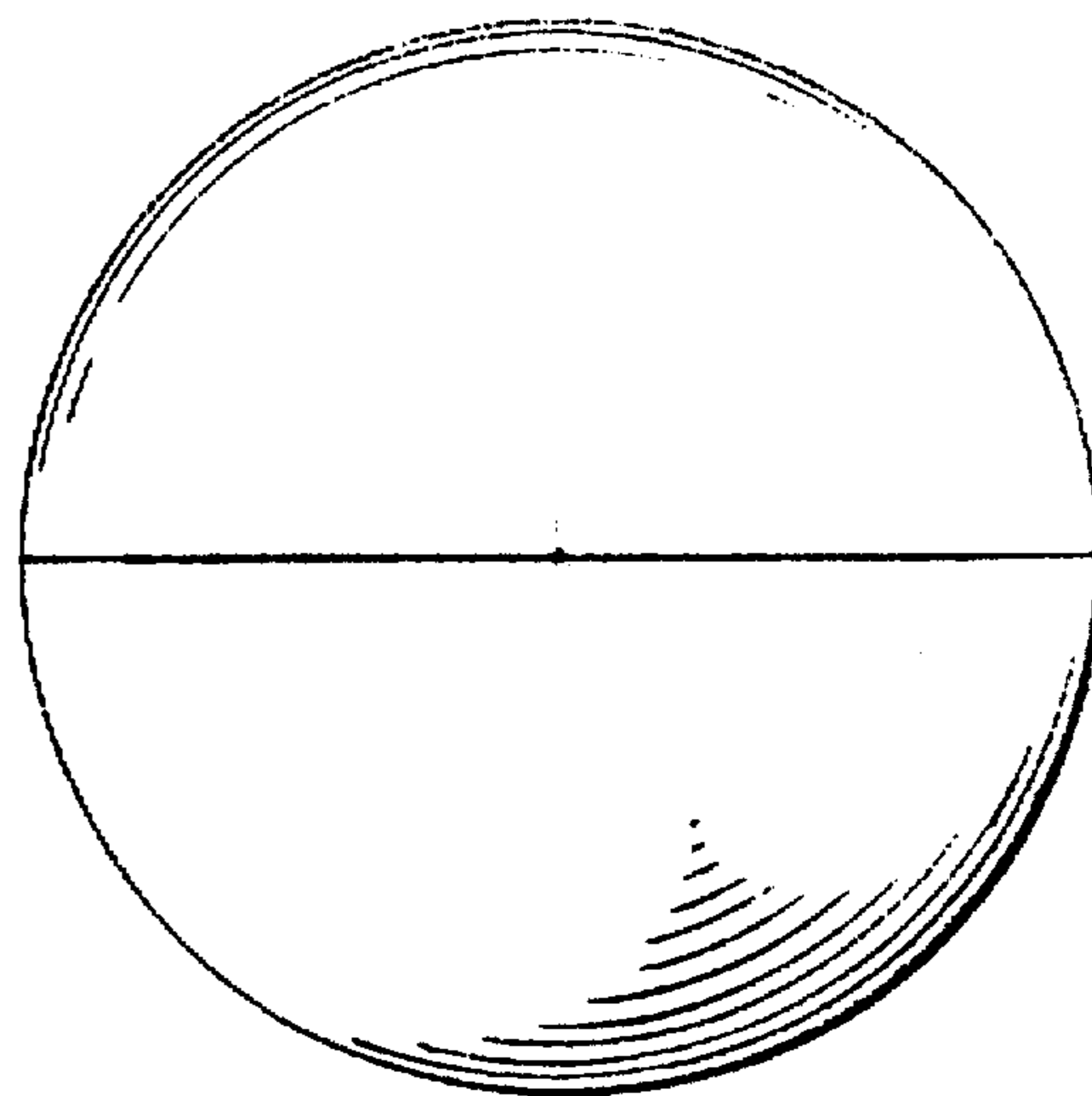


FIG. 2

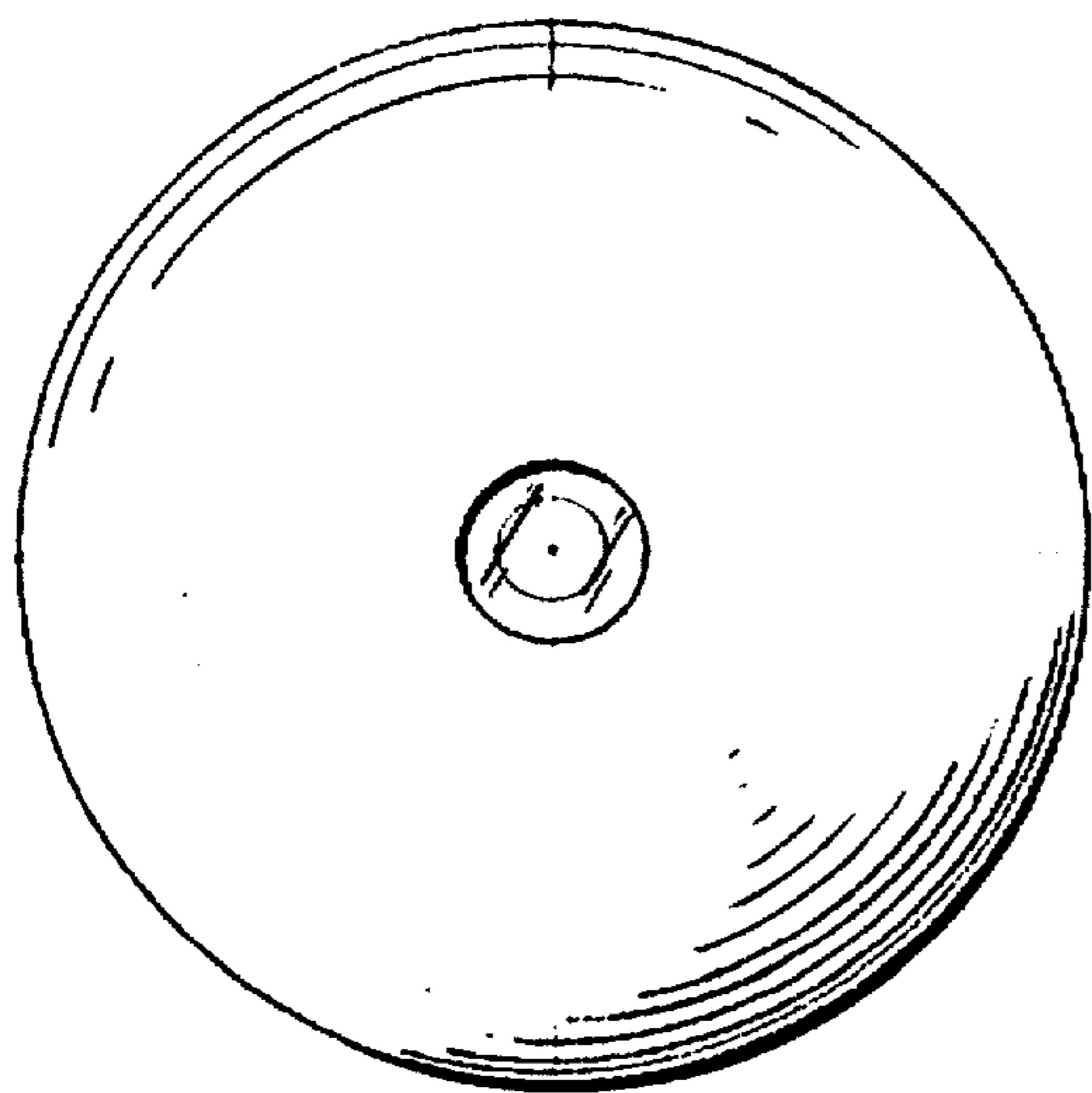


FIG. 3

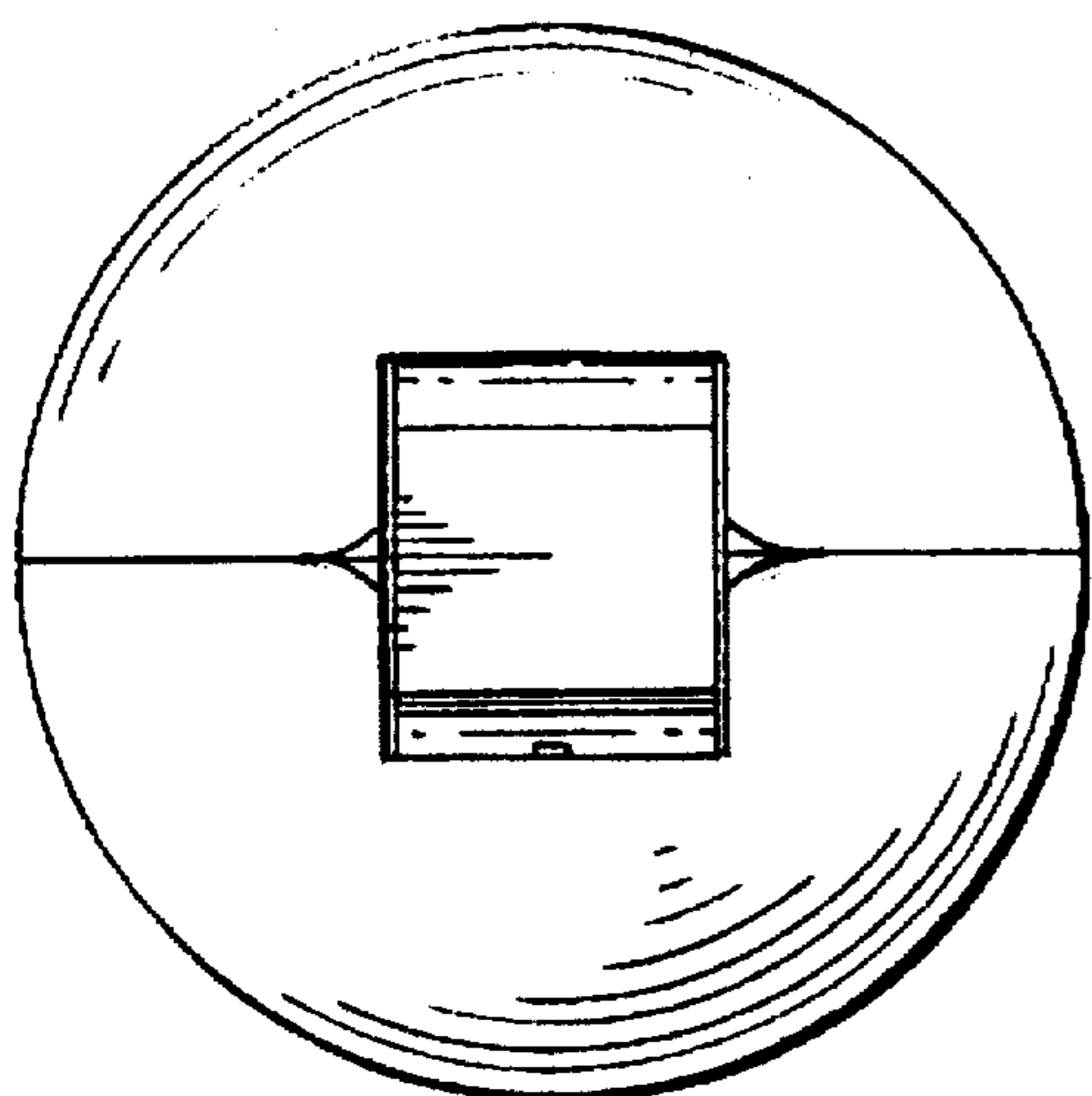


FIG. 4

FIG. 5

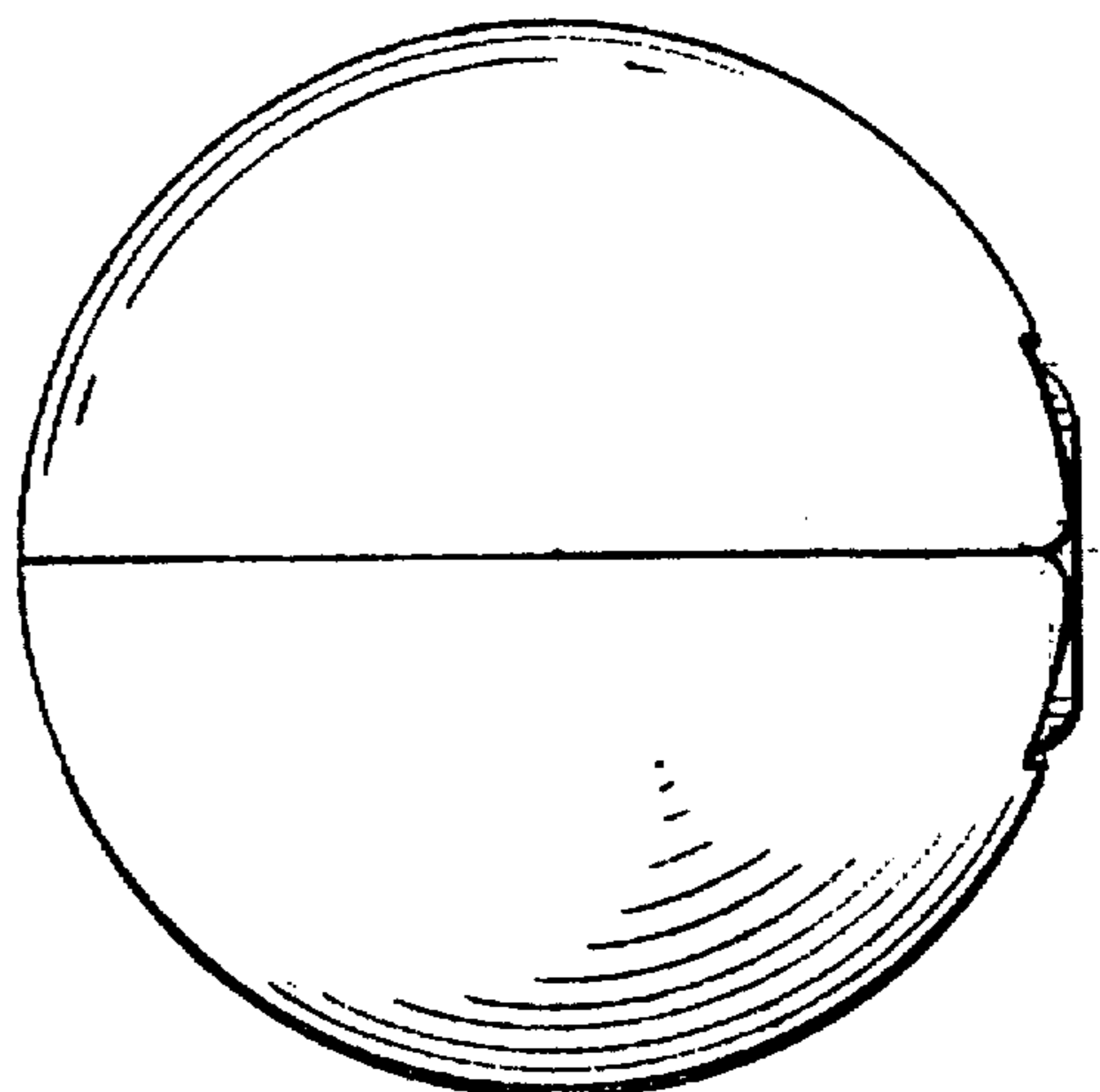
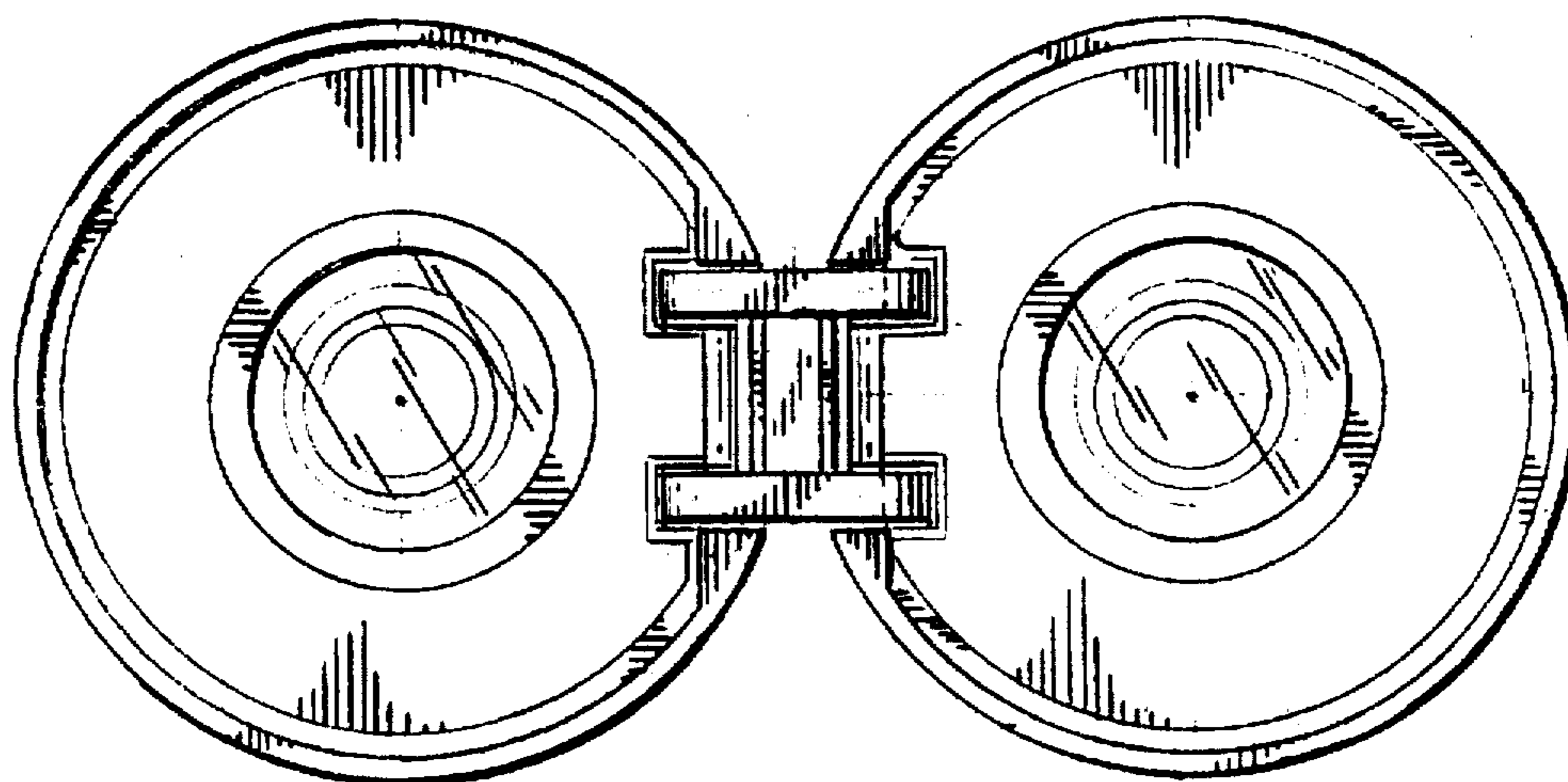


FIG. 6



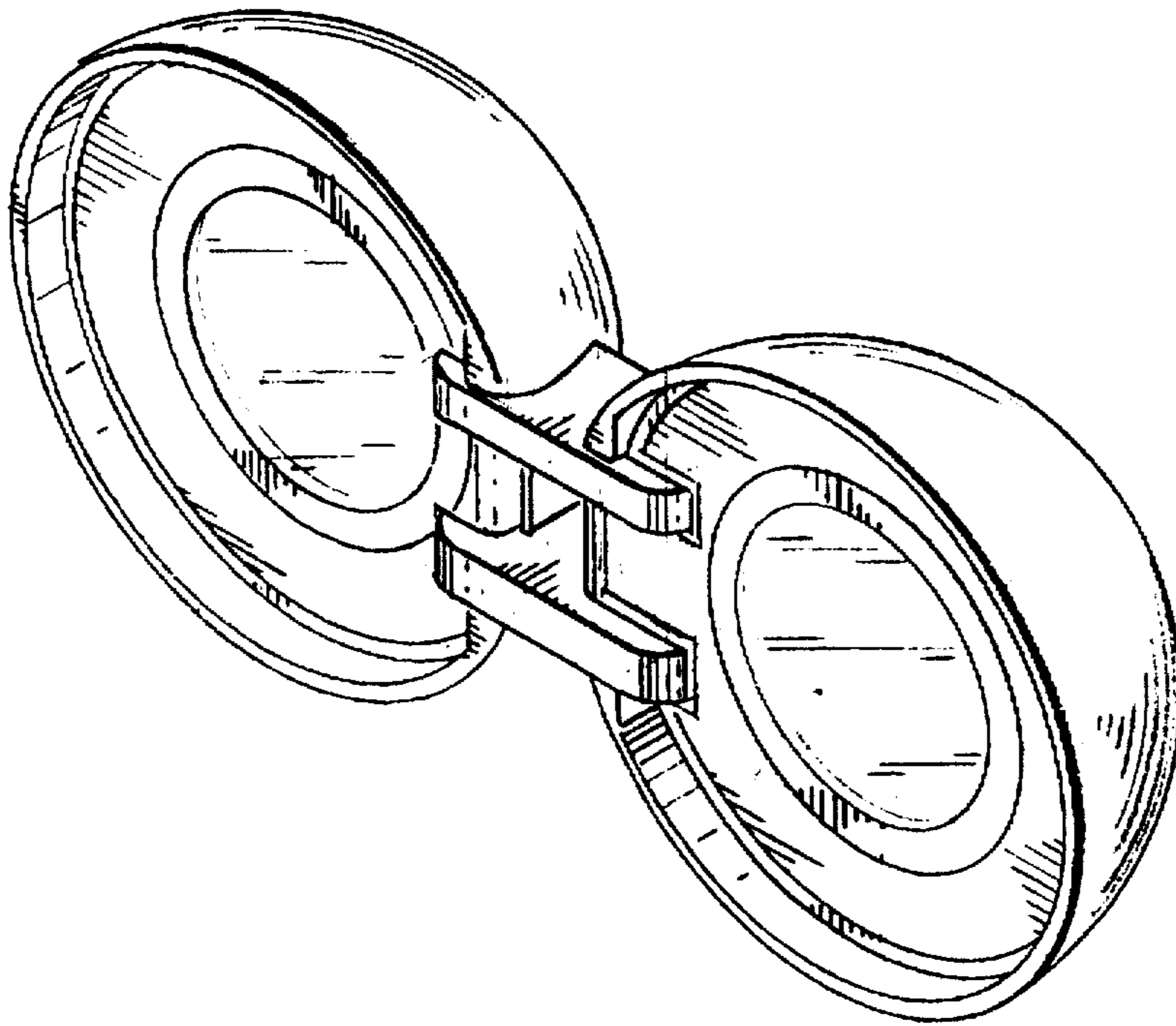


FIG. 7