



US00D397703S

United States Patent [19]
Williamson

[11] **Patent Number:** **Des. 397,703**
[45] **Date of Patent:** ****Sep. 1, 1998**

[54] **MOLDING TEMPLATE FOR CORRECTLY POSITIONING DECORATIVE MOLDING**

[76] **Inventor:** **Conrad Williamson**, 7206 SW. Montauk Cir., Lake Oswego, Oreg. 97035

[**] **Term:** **14 Years**

[21] **Appl. No.:** **68,336**

[22] **Filed:** **Apr. 3, 1997**

[51] **LOC (6) Cl.** **15-09**

[52] **U.S. Cl.** **D15/136**

[58] **Field of Search** D15/135-136; 249/15, 55; 425/412-423, DIG. 57, DIG. 59

[56] **References Cited**

U.S. PATENT DOCUMENTS

684,848 10/1901 Martin 425/412
4,437,828 3/1984 Tezuka 425/412

5,482,665 1/1996 Gill 425/412 X

Primary Examiner—Antoine Duval Davis
Attorney, Agent, or Firm—Chernoff, Vilhauer, McClung & Stenzel

[57] **CLAIM**

The ornamental design for a molding template for correctly positioning decorative molding, as shown and described.

DESCRIPTION

FIG. 1 is a top perspective view of the molding template for correctly positioning decorative molding showing my new design;

FIG. 2 is a side elevation view of the top portion, the opposite side being identical;

FIG. 3 is a front elevation view thereof, the opposite view being identical;

FIG. 4 is a top plan view of the bottom portion; and,

FIG. 5 is a bottom plan view thereof.

1 Claim, 1 Drawing Sheet

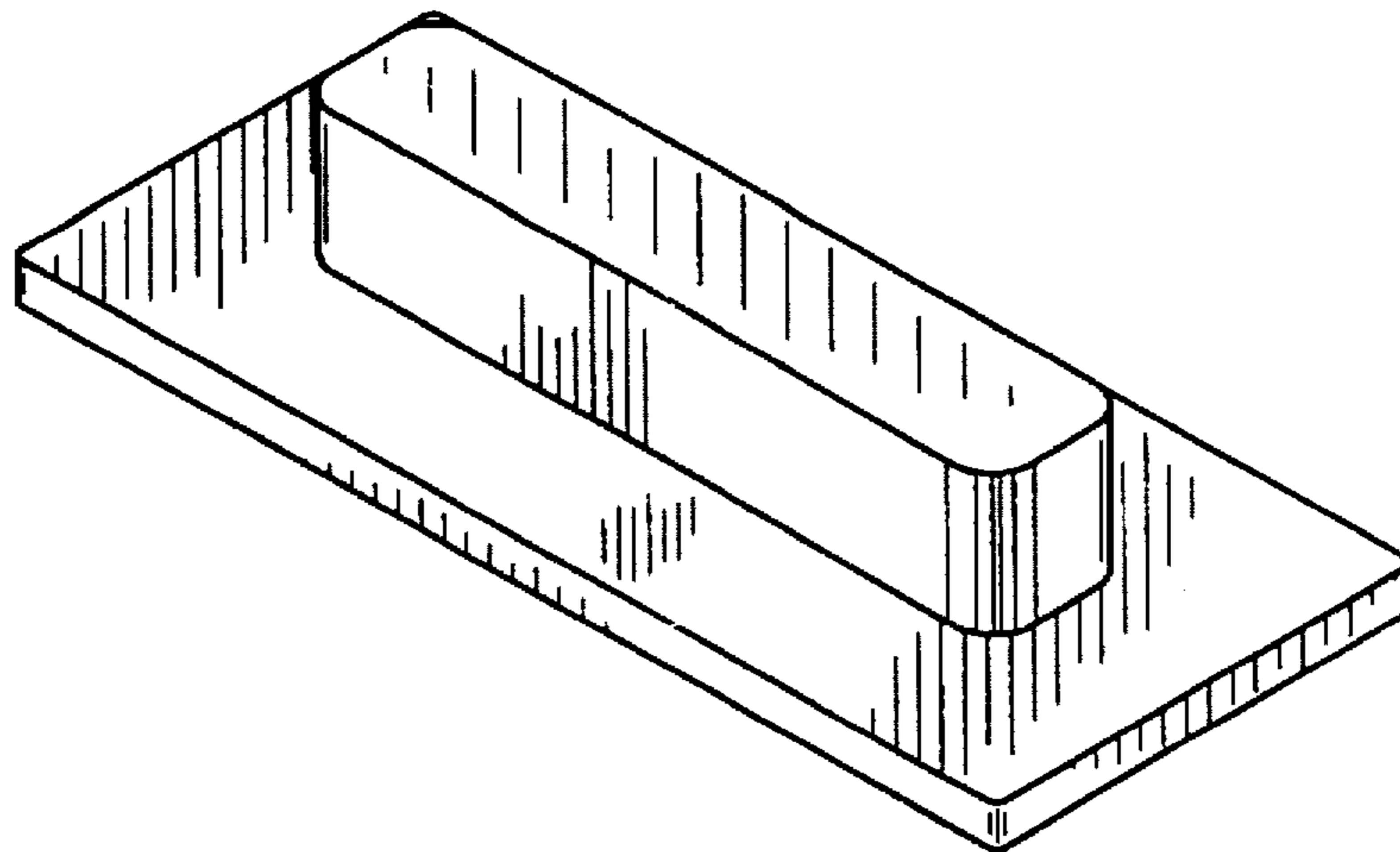


Fig. 1

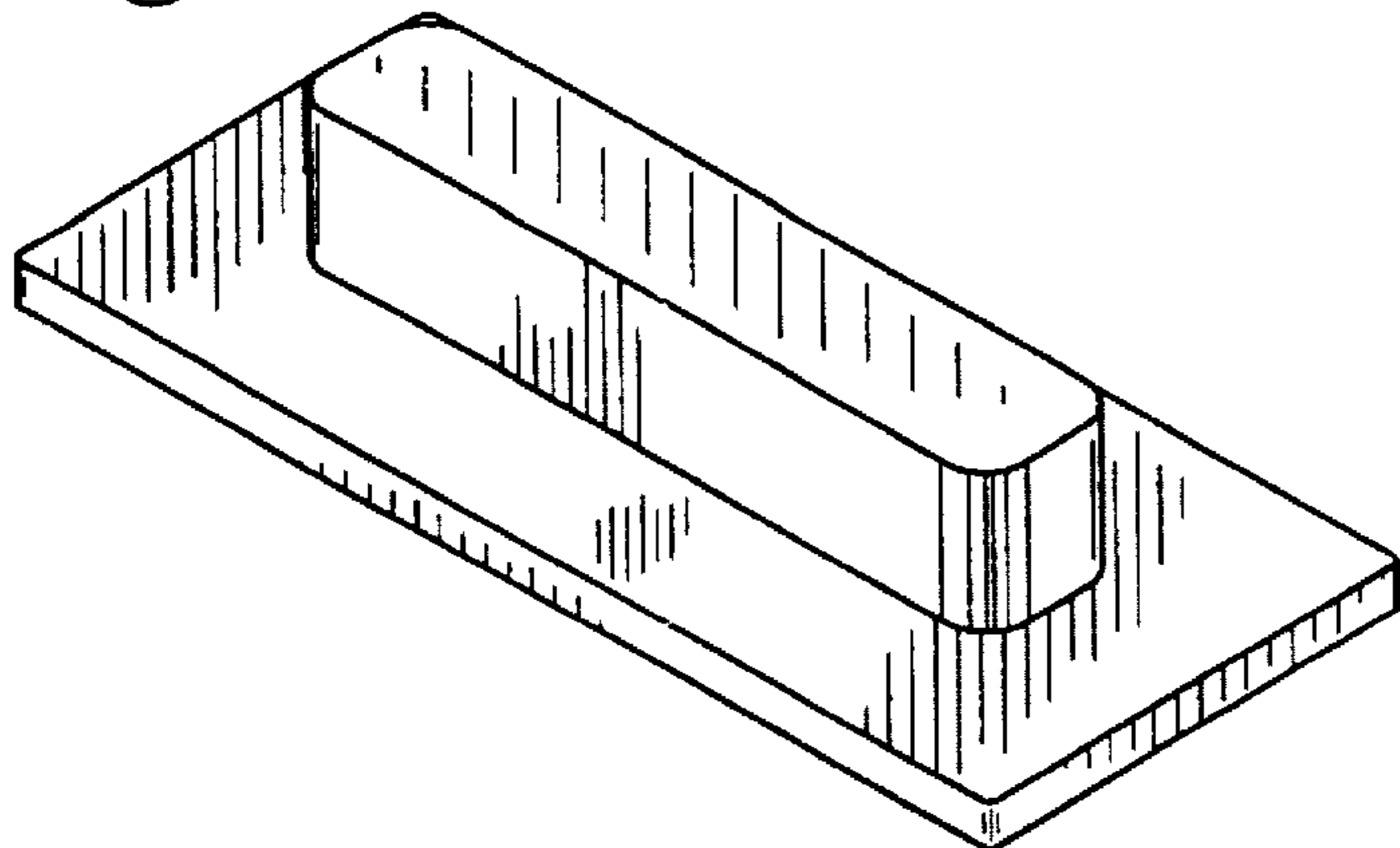


Fig. 3

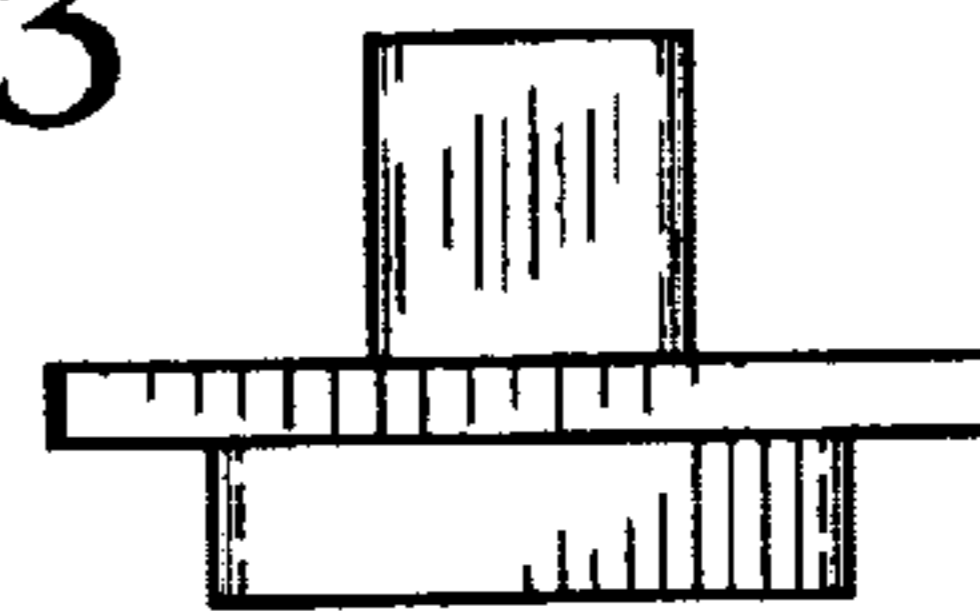


Fig. 4

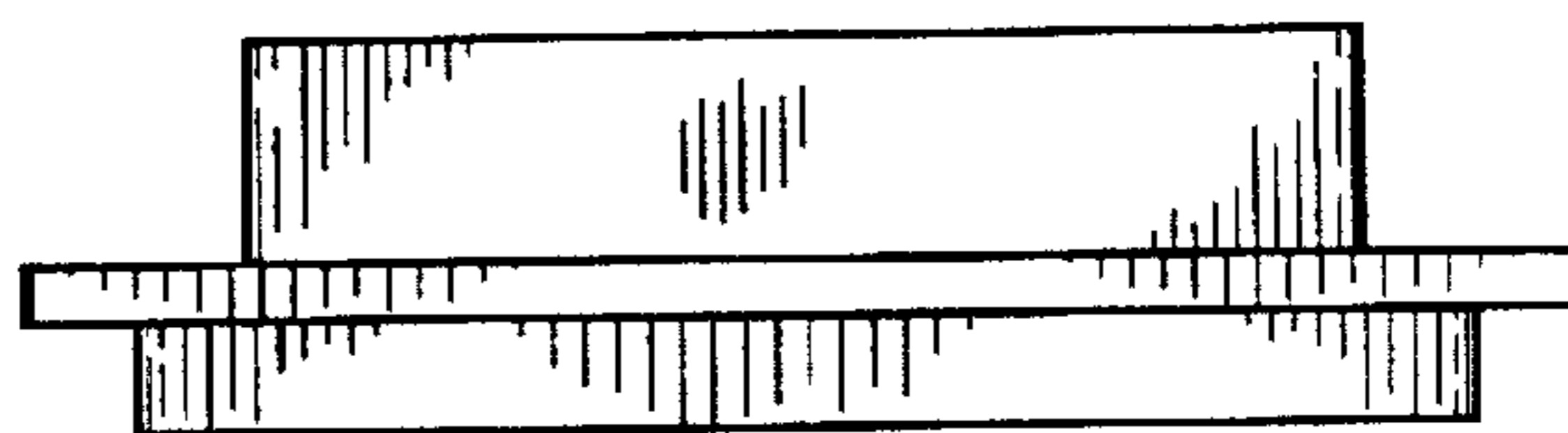


Fig. 2

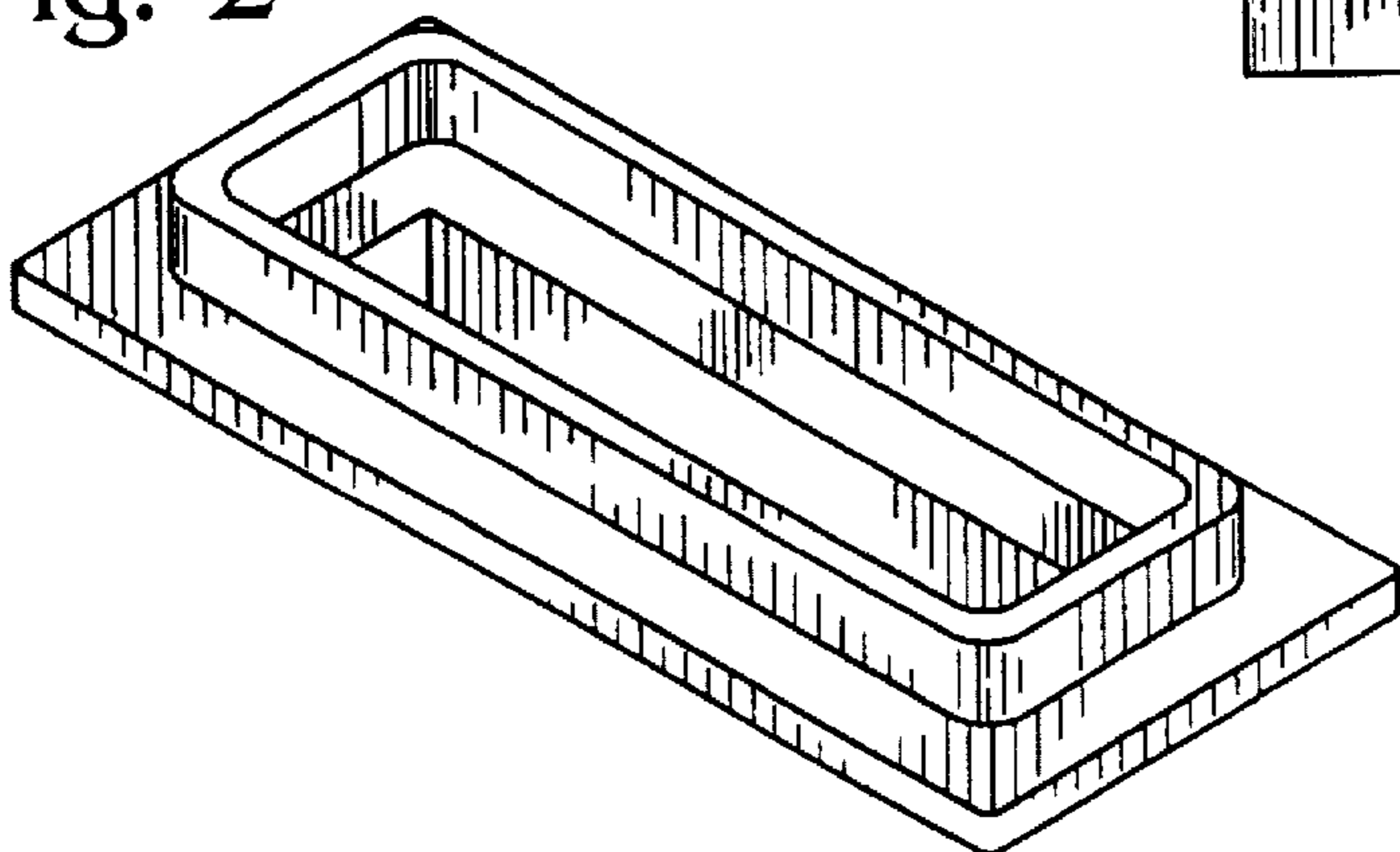


Fig. 5

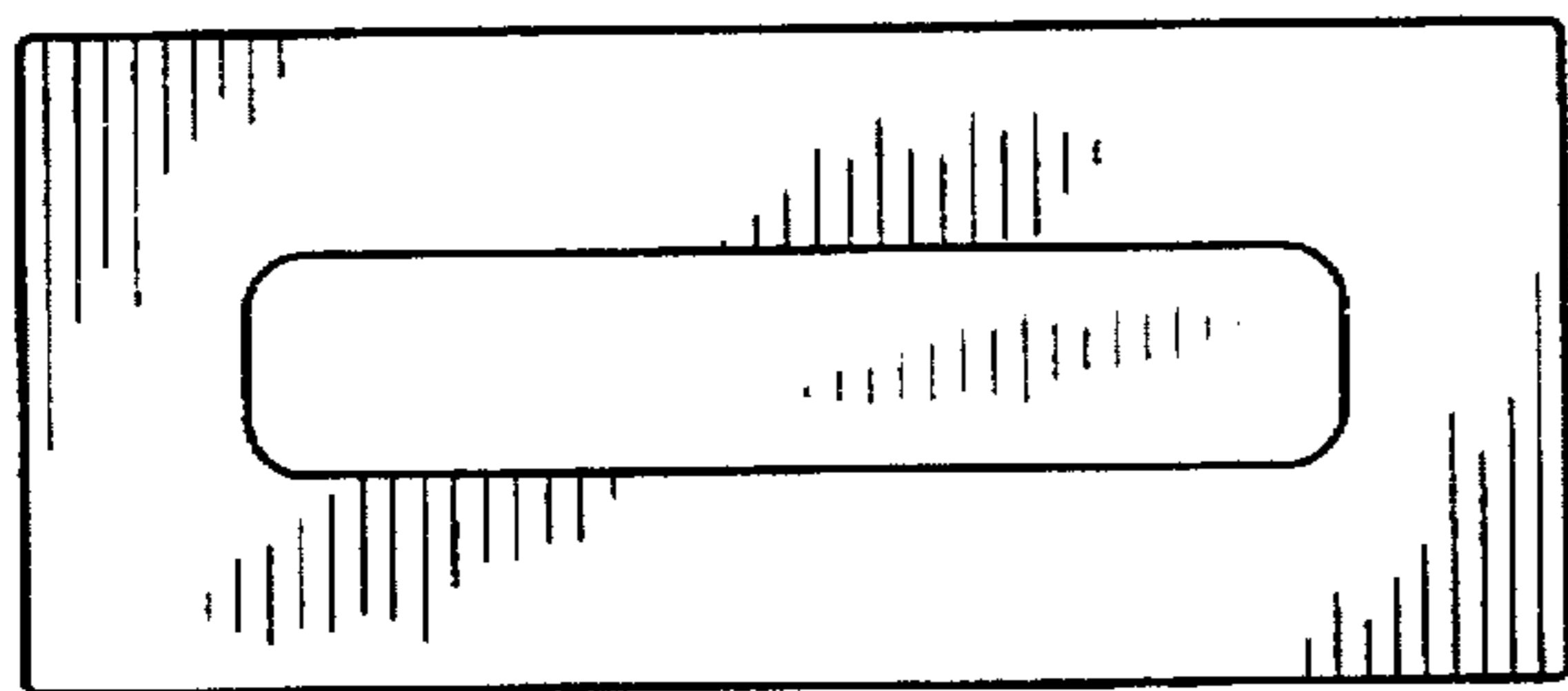


Fig. 6

