



US00D397702S

# United States Patent [19]

Aufderheide et al.

[11] Patent Number: **Des. 397,702**

[45] Date of Patent: **\*\*Sep. 1, 1998**

[54] RISER SLEEVE

1,175,555 3/1916 Nichols ..... 164/358  
5,425,410 6/1995 Reynolds ..... 164/358

[76] Inventors: **Ronald C. Aufderheide**, 8188 Crossgate Ct. North, Dublin, Ohio 43017; **David M. Gilson**, 7383 Bridewater Blvd., Columbus, Ohio 43235; **John L. Perrins**, 5 Chad Place, Guelph, Ontario, Canada, N1H 6V4

*Primary Examiner*—Antoine Duval Davis  
*Attorney, Agent, or Firm*—David L. Hedden

### [57] CLAIM

An ornamental design for a riser sleeve, as shown and described.

[\*\*] Term: **14 Years**

### DESCRIPTION

[21] Appl. No.: **72,282**

FIG. 1 is an isometric view of the riser sleeve;  
FIG. 2 is an end view of the riser sleeve;  
FIG. 3 is a side top view of the riser sleeve;  
FIG. 4 is a rear view of the riser sleeve;  
FIG. 5 is a front view of the riser sleeve;  
FIG. 6 is a longitudinal cross section taken on the line 6—6 of FIG. 4;  
FIG. 7 is a transverse cross-section taken on the line 7—7 of FIG. 3; and,  
FIG. 8 is a transverse cross-section taken on the line 8—8 of FIG. 3.

[22] Filed: **Jun. 13, 1997**

[51] LOC (6) Cl. .... **15-09**

[52] U.S. Cl. .... **D15/135**

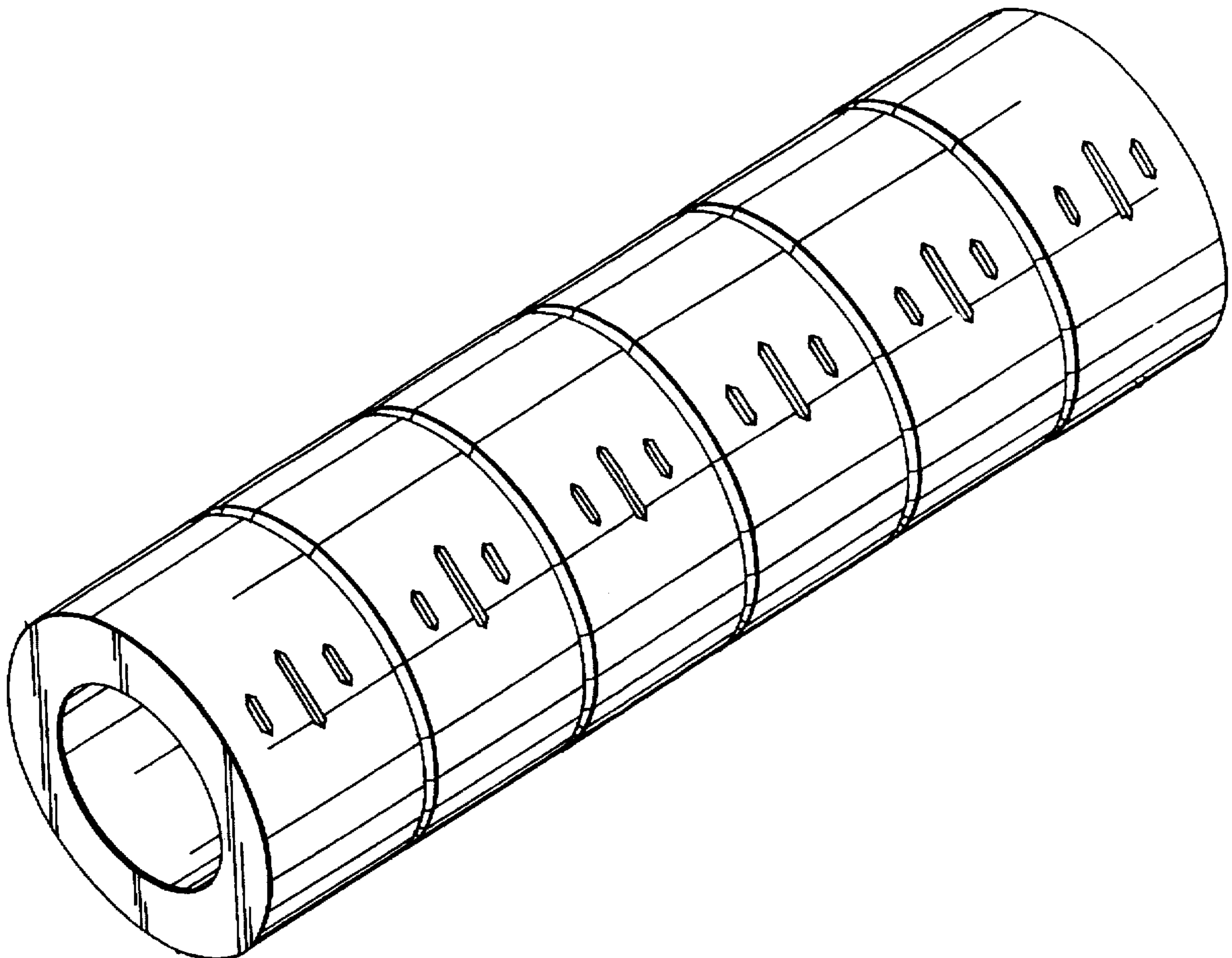
[58] Field of Search ..... D15/135-137;  
164/358, 63, 359, 122, 362, 134, 255, 360,  
361, 363, 137

### [56] References Cited

#### U.S. PATENT DOCUMENTS

D. 266,567 10/1982 Wukovich ..... D15/135

**1 Claim, 3 Drawing Sheets**



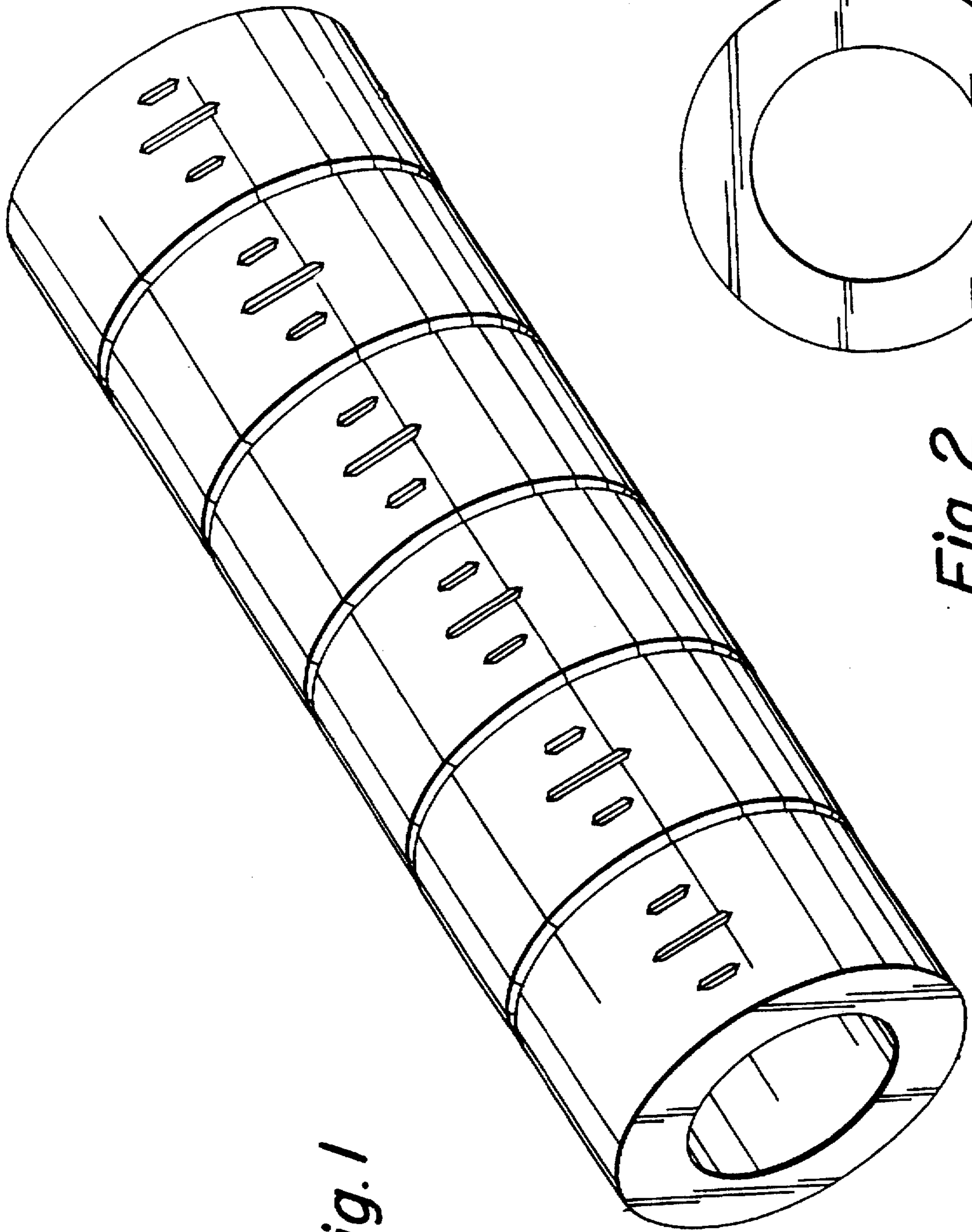
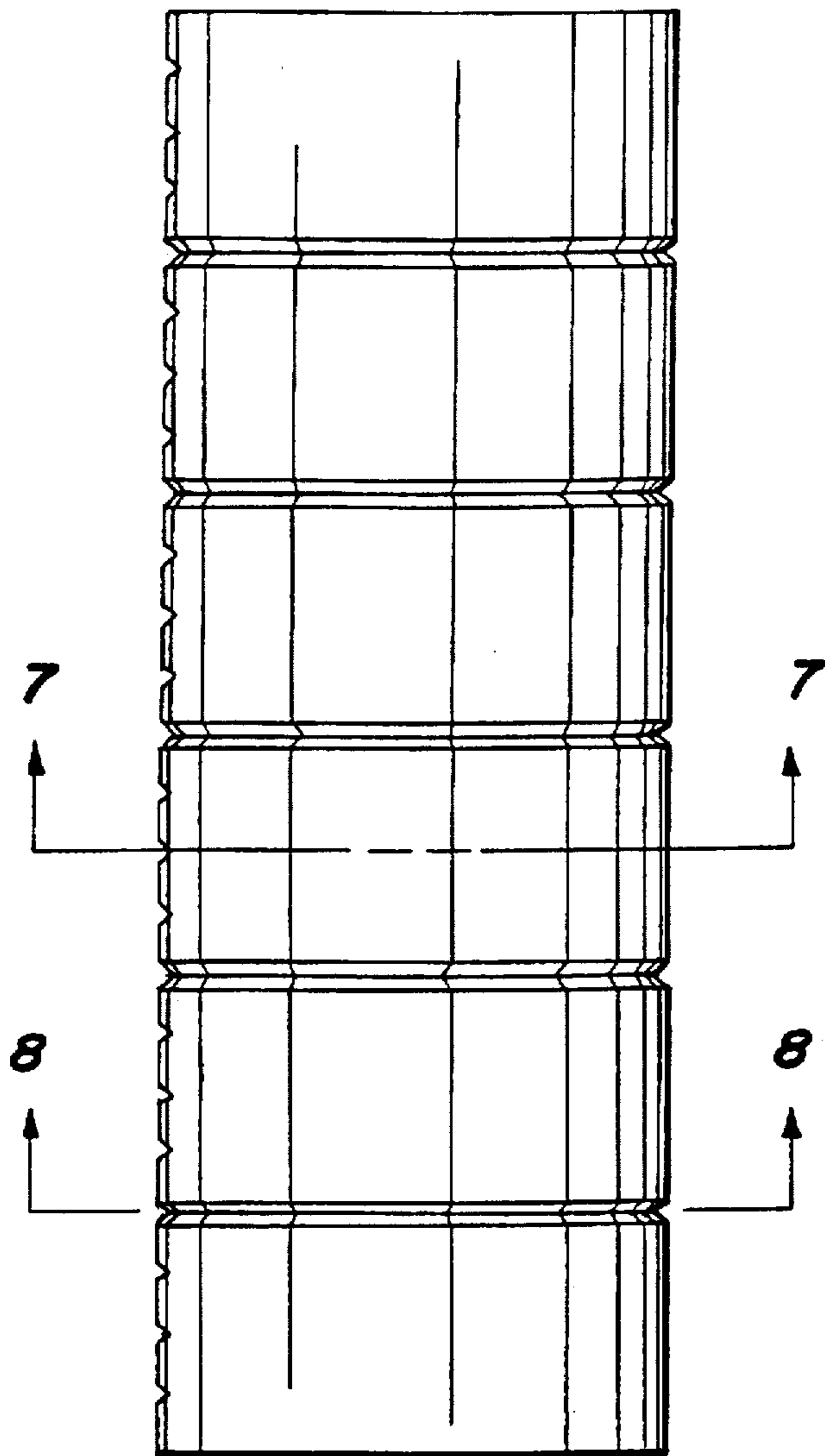


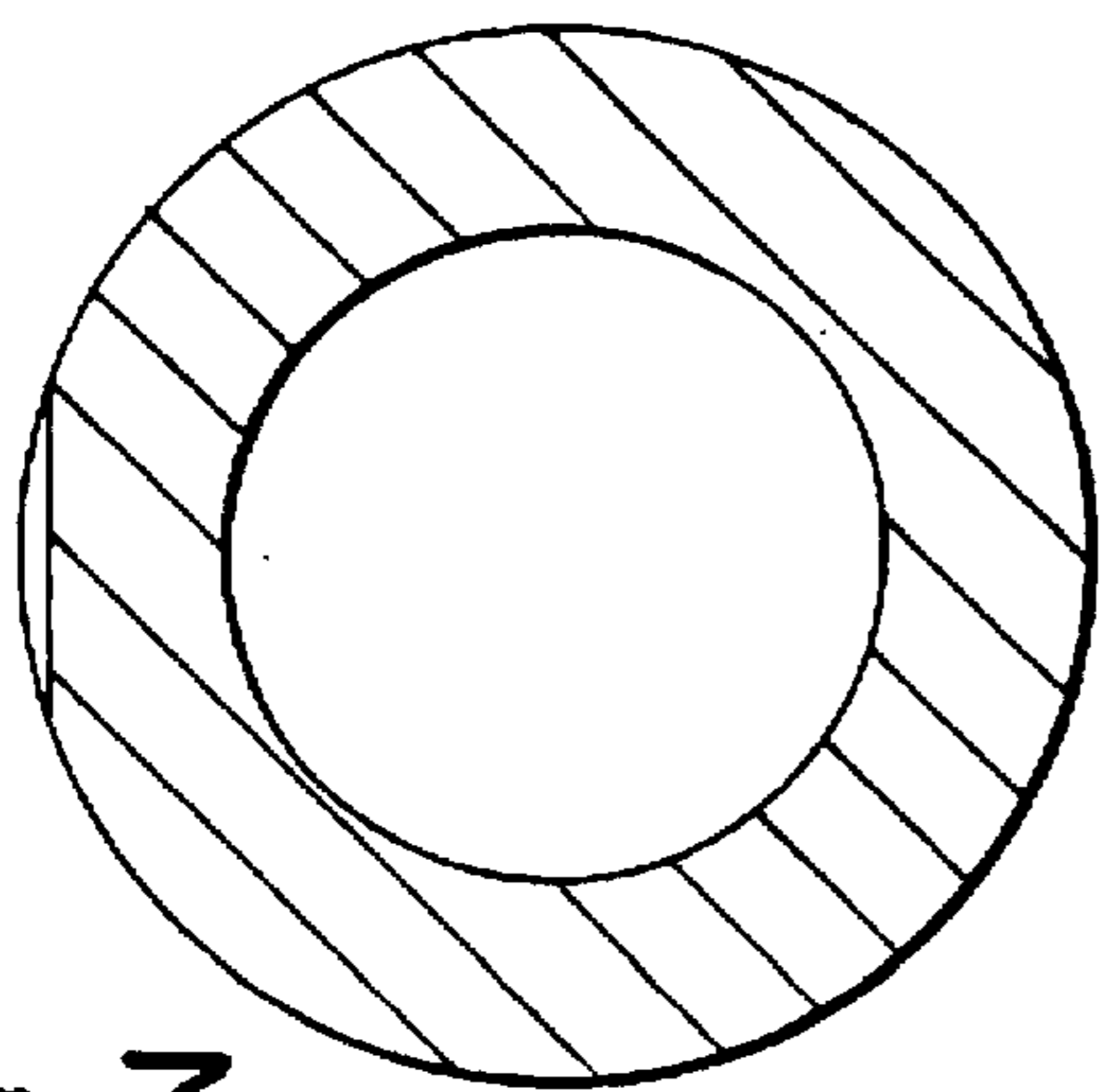
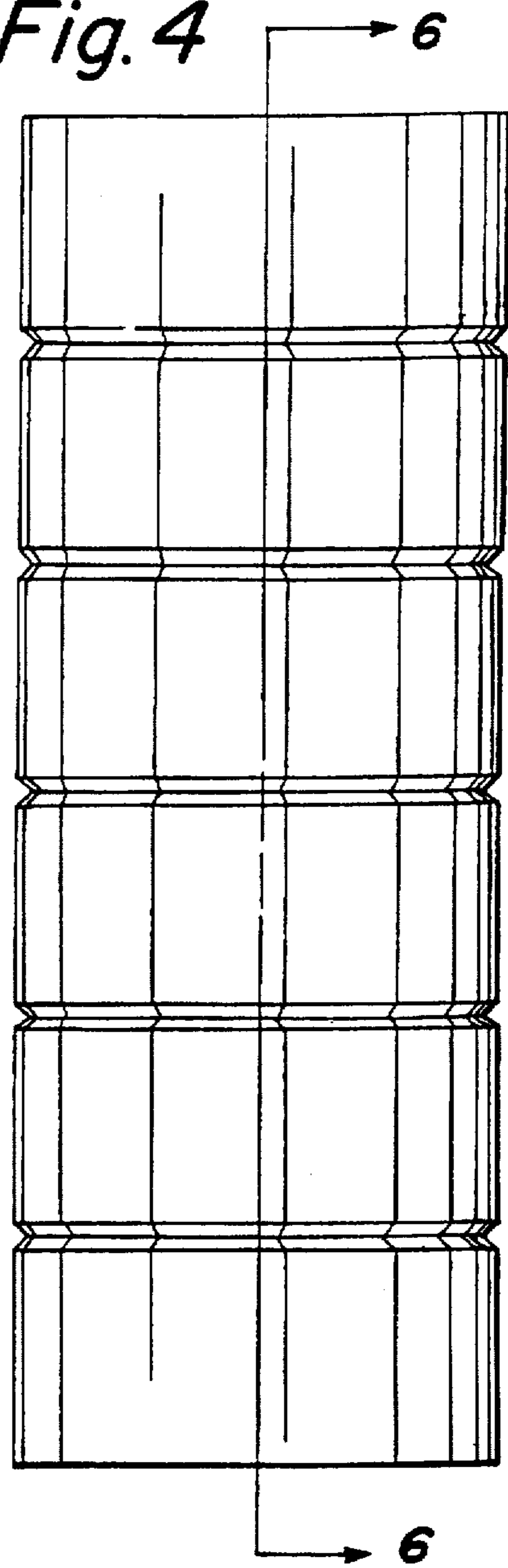
Fig. 1

Fig. 2

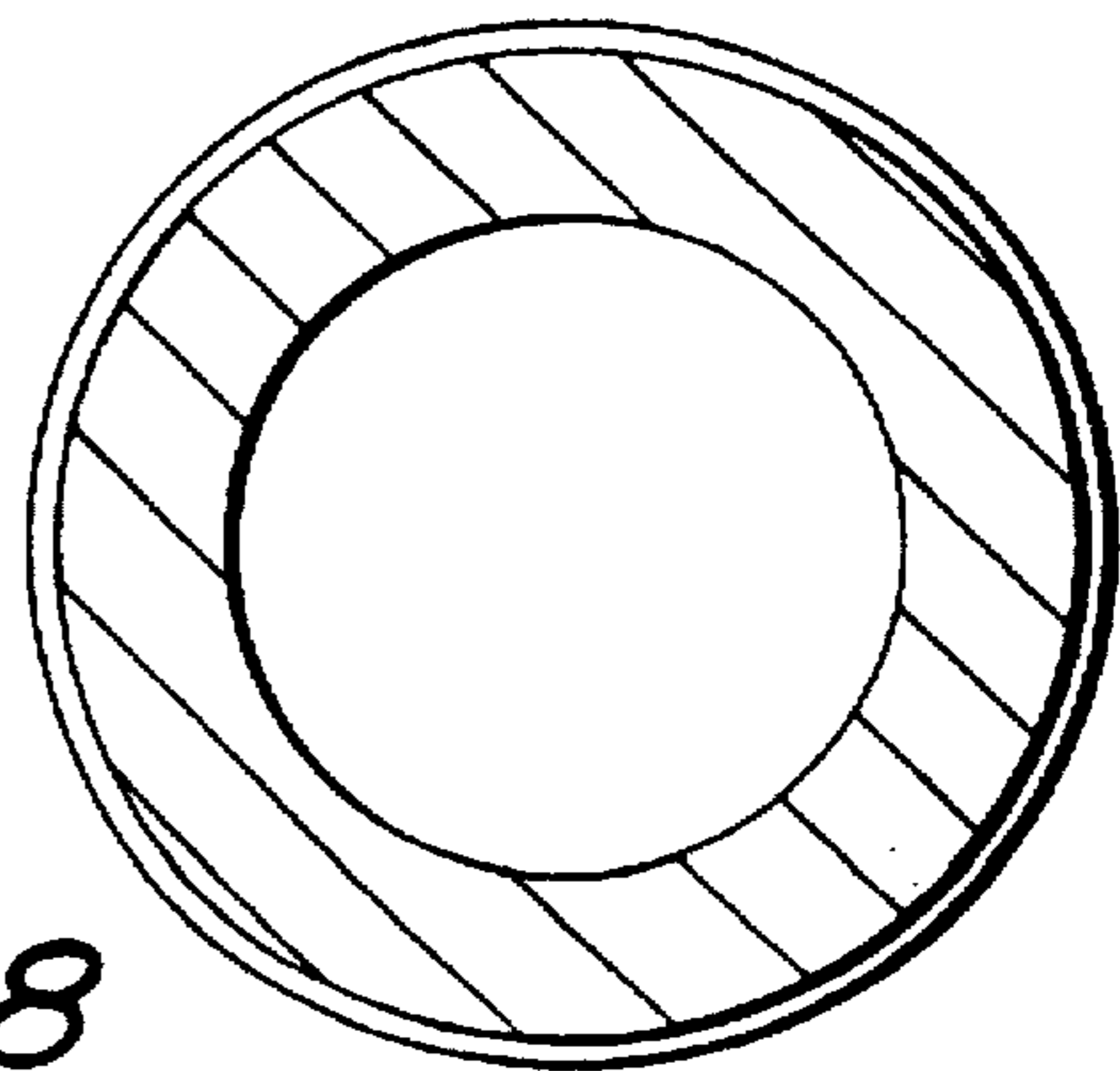
*Fig. 3*



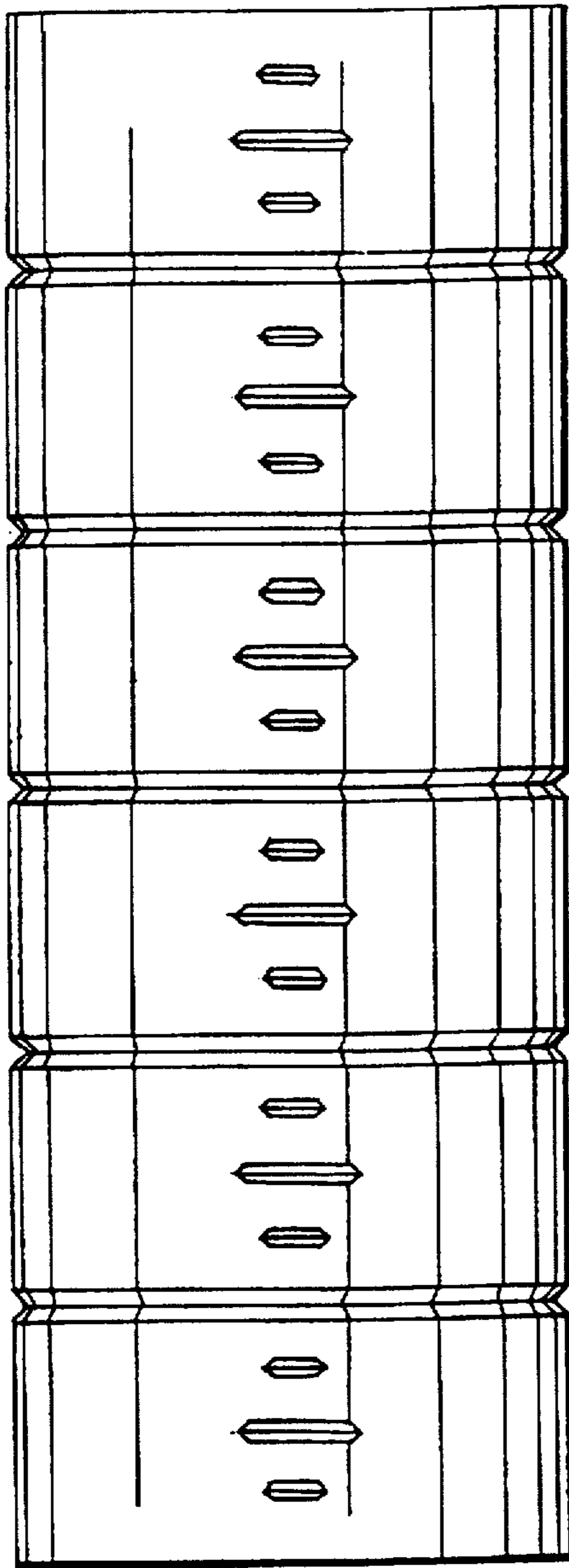
*Fig. 4*



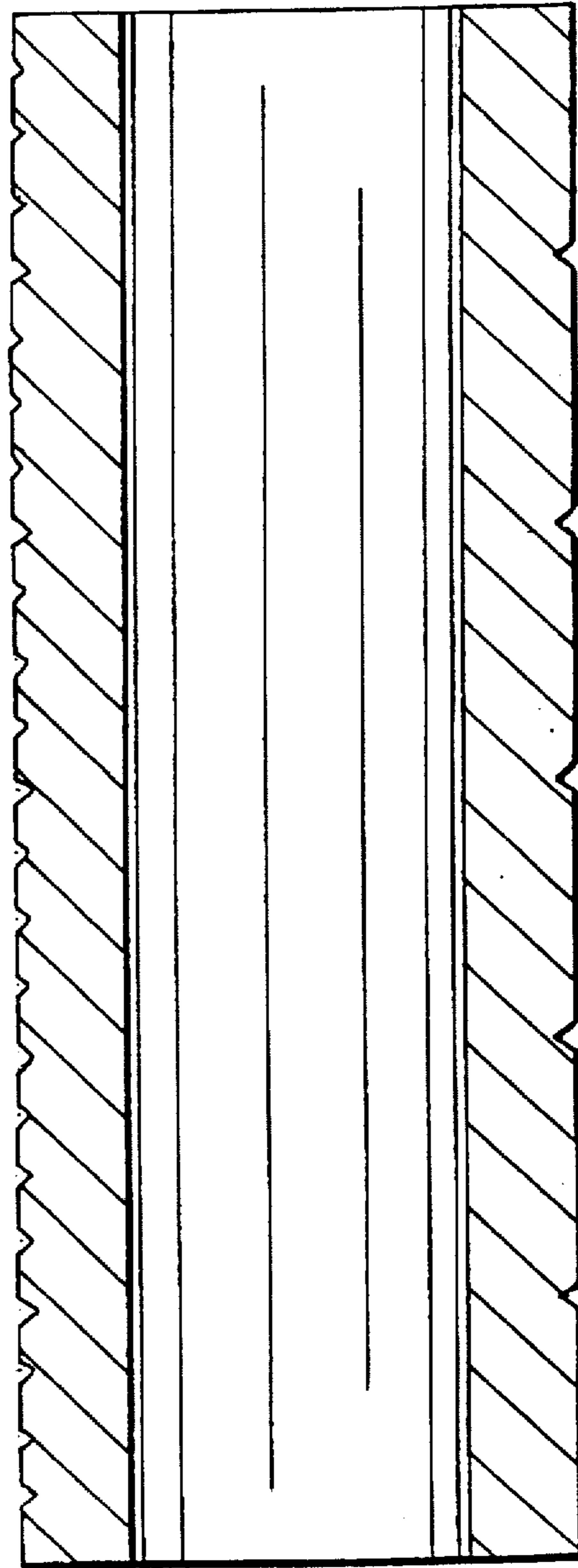
*Fig. 7*



*Fig. 8*



*Fig. 5*



*Fig. 6*