



US00D397698S

United States Patent [19]
Rendahl

[11] **Patent Number: Des. 397,698**

[45] **Date of Patent: **Sep. 1, 1998**

[54] **PRESSER FOOT FOR SEWING MACHINE**

[75] **Inventor: Ingvar Rendahl, Huskvarna, Sweden**

[73] **Assignee: Aktiebolaget Electrolux, Stockholm, Sweden**

[**] **Term: 14 Years**

[21] **Appl. No.: 56,046**

[22] **Filed: Jun. 20, 1996**

[30] **Foreign Application Priority Data**

Dec. 22, 1995 [SE] Sweden 952443

[51] **LOC (6) Cl. 15-06**

[52] **U.S. Cl. D15/72**

[58] **Field of Search D15/66, 69-72;
112/235-240**

[56] **References Cited**

U.S. PATENT DOCUMENTS

D. 336,477 6/1993 Rowley D15/72

4,630,557	12/1986	Russell	112/235
5,007,358	4/1991	Kawakubo et al.	112/235
5,515,797	5/1996	Janouschek et al.	112/235
5,596,947	1/1997	Landen	112/235

Primary Examiner—Sandra L. Morris
Attorney, Agent, or Firm—Pearne, Gordon, McCoy and Granger LLP

[57] **CLAIM**

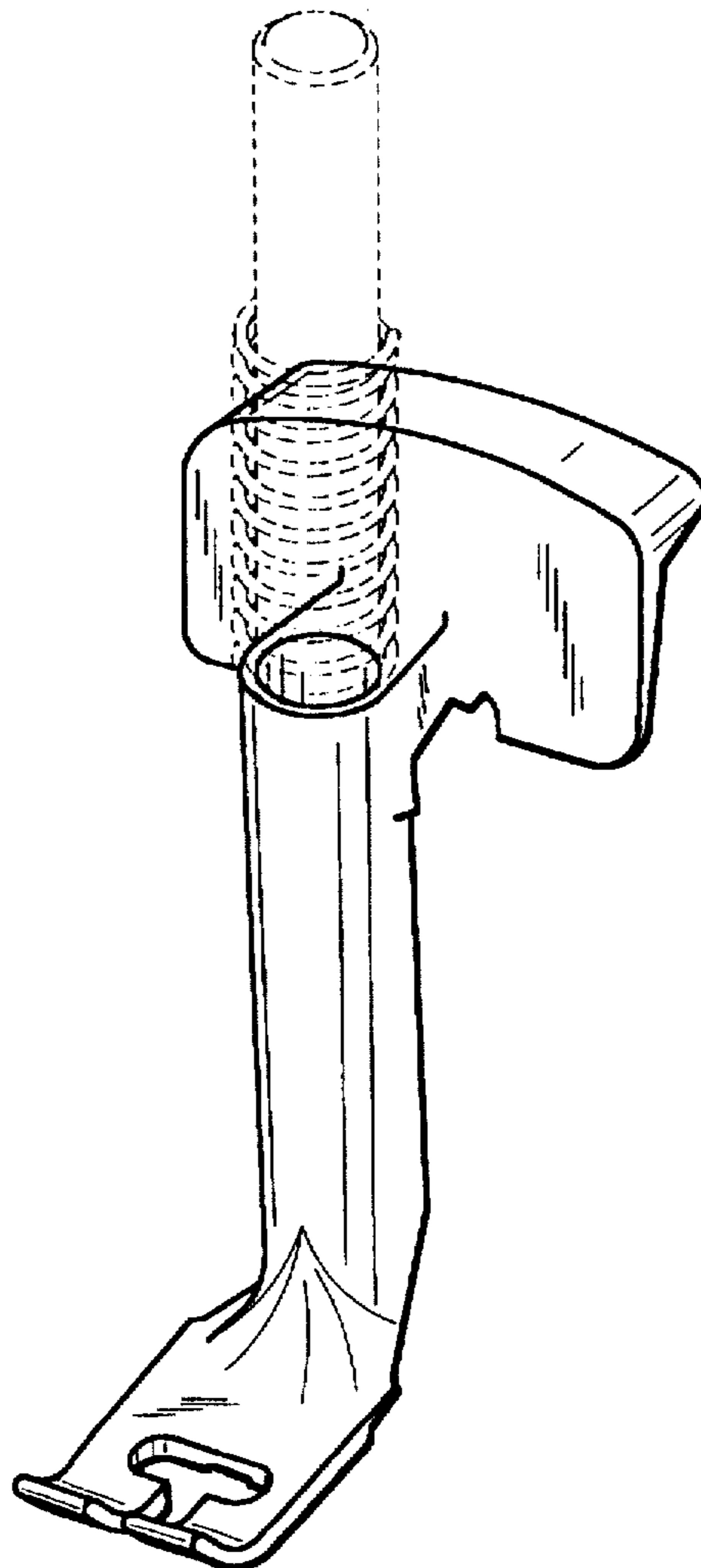
The ornamental design for the presser foot for sewing machine, as shown and described.

DESCRIPTION

FIG. 1 is a front perspective view of the presser foot for sewing machine showing my new design; FIG. 2 is a front elevation view thereof; FIG. 3 is a rear elevation view thereof; FIG. 4 is a right elevation view thereof; and, FIG. 5 is a left elevation view thereof.

The broken lines are for illustrative purposes only, and forms no part of the claimed design.

1 Claim, 3 Drawing Sheets



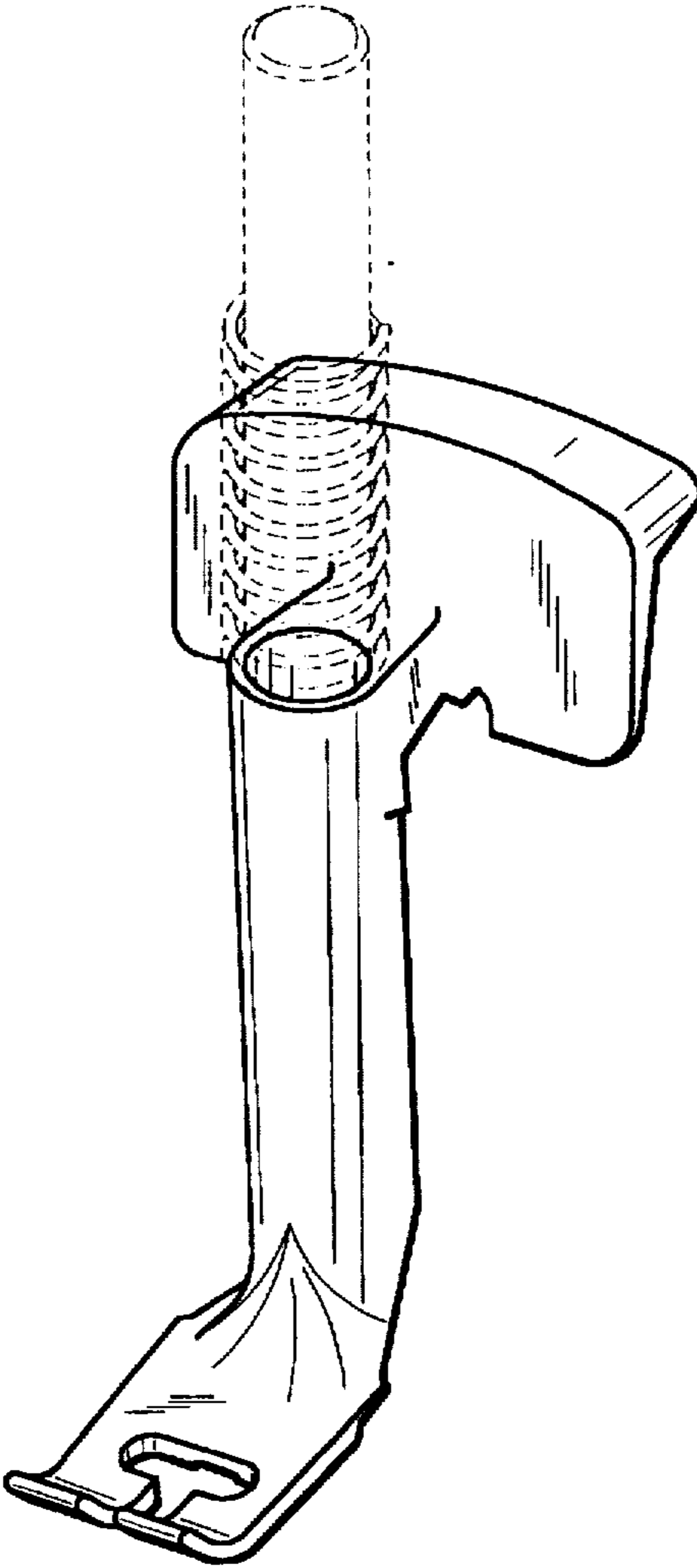


Fig. 1

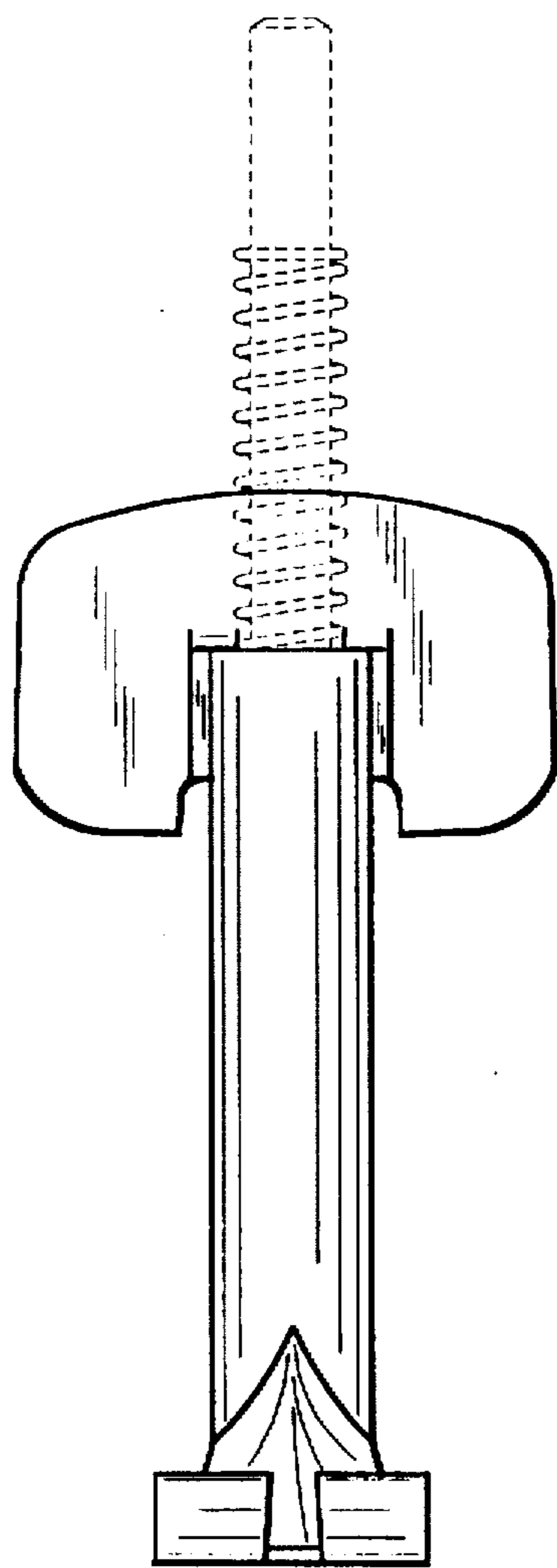


Fig. 2

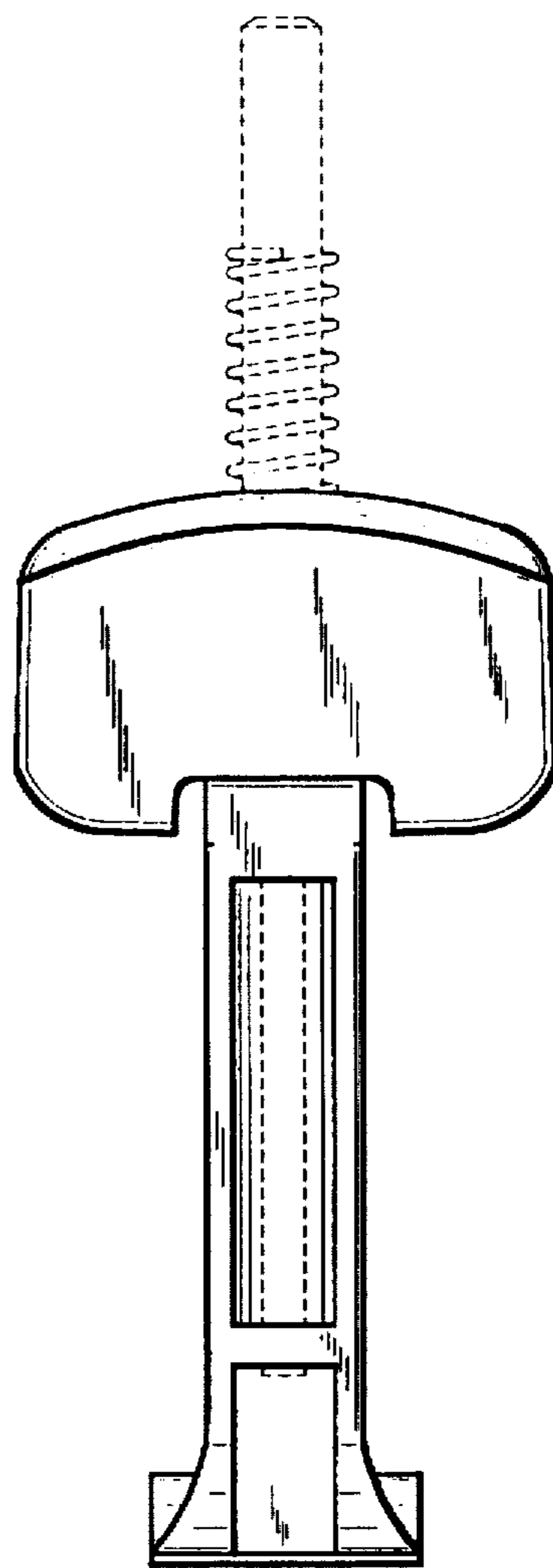


Fig. 3

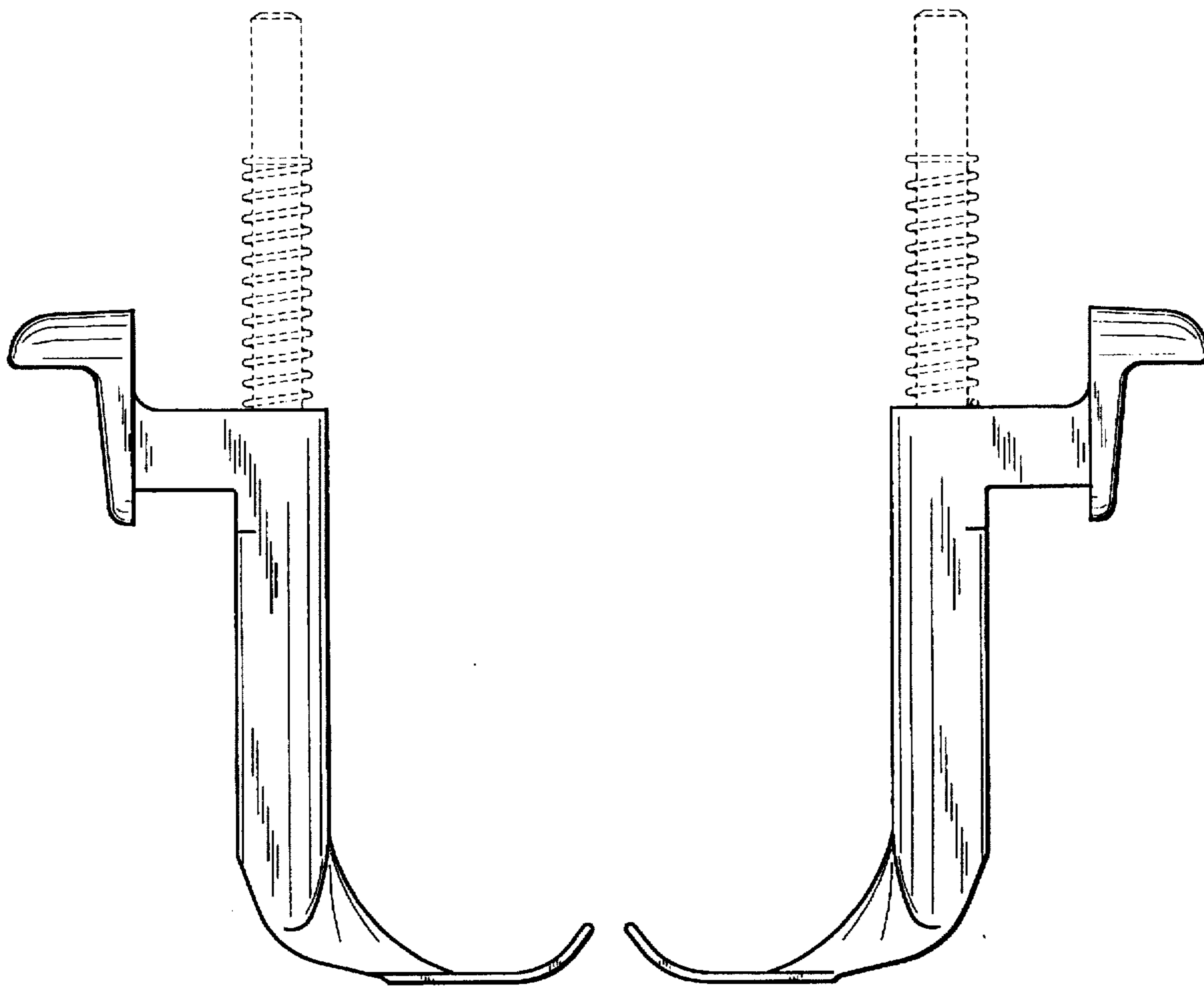


Fig. 4

Fig. 5