



US00D397697S

# United States Patent [19]

[11] Patent Number: Des. 397,697

Launder et al.

[45] Date of Patent: \*\*Sep. 1, 1998

## [54] MULTI-TINED DIGGING TOOTH

[75] Inventors: **Brian L. Launder**, Tulsa; **Charles Clendenning**, Broken Arrow, both of Okla.

[73] Assignee: **H&L Tooth Company**, Tulsa, Okla.

[\*\*] Term: **14 Years**

[21] Appl. No.: **62,977**

[22] Filed: **Oct. 4, 1996**

### Related U.S. Application Data

[63] Continuation-in-part of Ser. No. 53,123, Apr. 15, 1996, abandoned.

[51] LOC (6) CL ..... **15-03**

[52] U.S. Cl. .... **D15/29**

[58] Field of Search ..... D15/10, 11, 25, D15/28, 29; 37/446, 452-454; 172/699, 713

### [56] References Cited

#### U.S. PATENT DOCUMENTS

D. 251,431	3/1979	Klett et al. ....	D15/28
4,028,823	6/1977	Edwards et al. ....	37/452
4,170,267	10/1979	Bourlier ....	37/452
5,067,262	11/1991	Stiffler et al. ....	37/452
5,526,592	6/1996	Bierwith ....	37/446

*Primary Examiner*—Sandra L. Morris  
*Attorney, Agent, or Firm*—John W. Harbst

## [57] CLAIM

The ornamental design for a multi-tined digging tooth, as shown and described.

## DESCRIPTION

FIG. 1 is a perspective view of a multi-tined digging tooth showing one embodiment of our new design; FIG. 2 is a top plan view of the multi-tined digging tooth illustrated in FIG. 1; FIG. 3 is a bottom plan view thereof; FIG. 4 is a left side view thereof with the right side view being a mirror image thereof; FIG. 5 is a rear elevational view thereof; FIG. 6 is a front elevational view thereof; FIG. 7 is a perspective view of a multi-tined digging tooth showing a second embodiment of our new design; FIG. 8 is a top plan view of the multi-tined digging tooth illustrated in FIG. 7; FIG. 9 is a bottom plan view thereof; FIG. 10 is a left side view thereof with the right side view being a mirror image thereof; FIG. 11 is rear elevational view thereof; and, FIG. 12 is a front elevational view thereof. FIGS. 2 through 6 and 8 through 12 are shown on an enlarged scale relative to FIGS. 1 and 7, respectively.

**1 Claim, 4 Drawing Sheets**

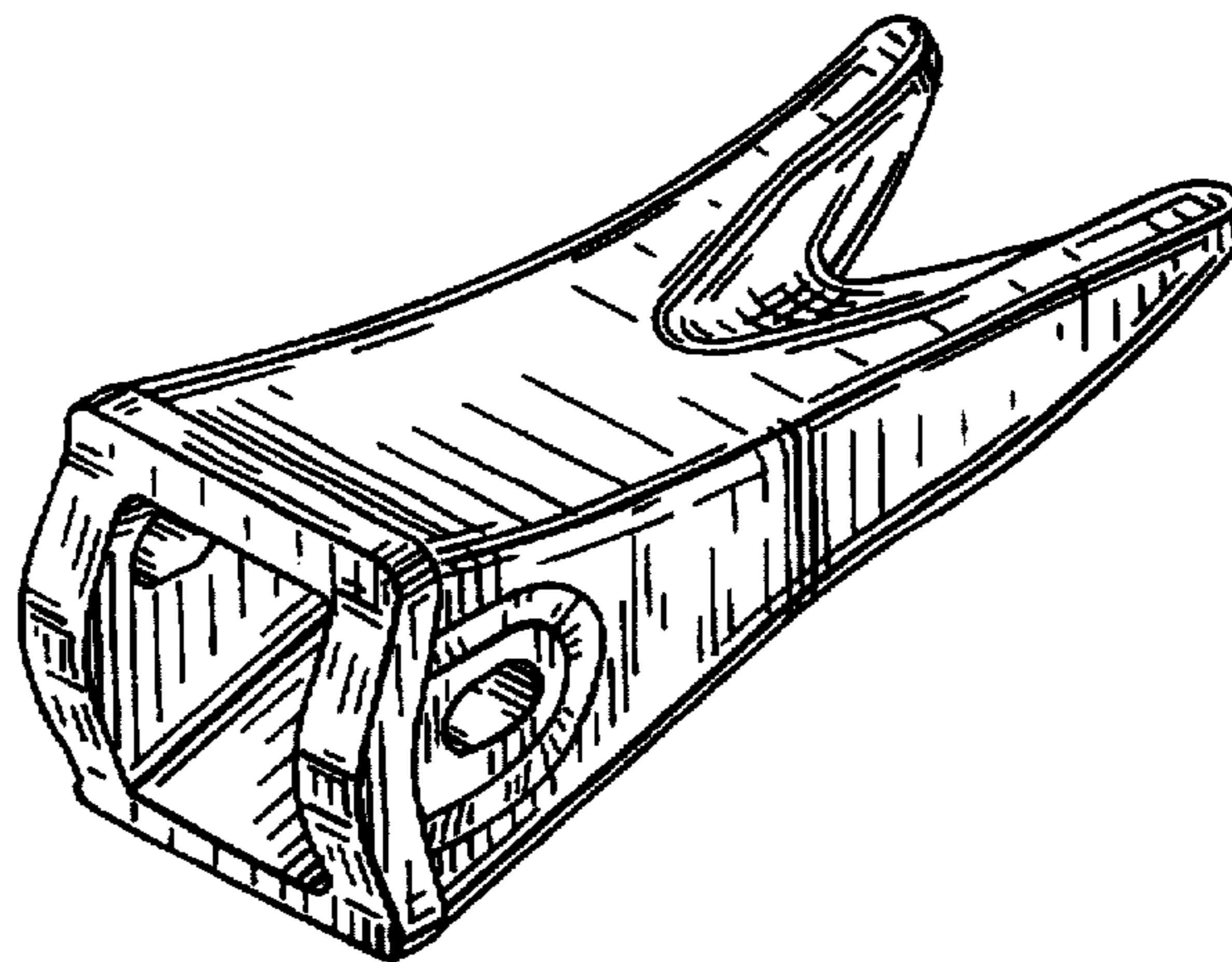


FIG. 1

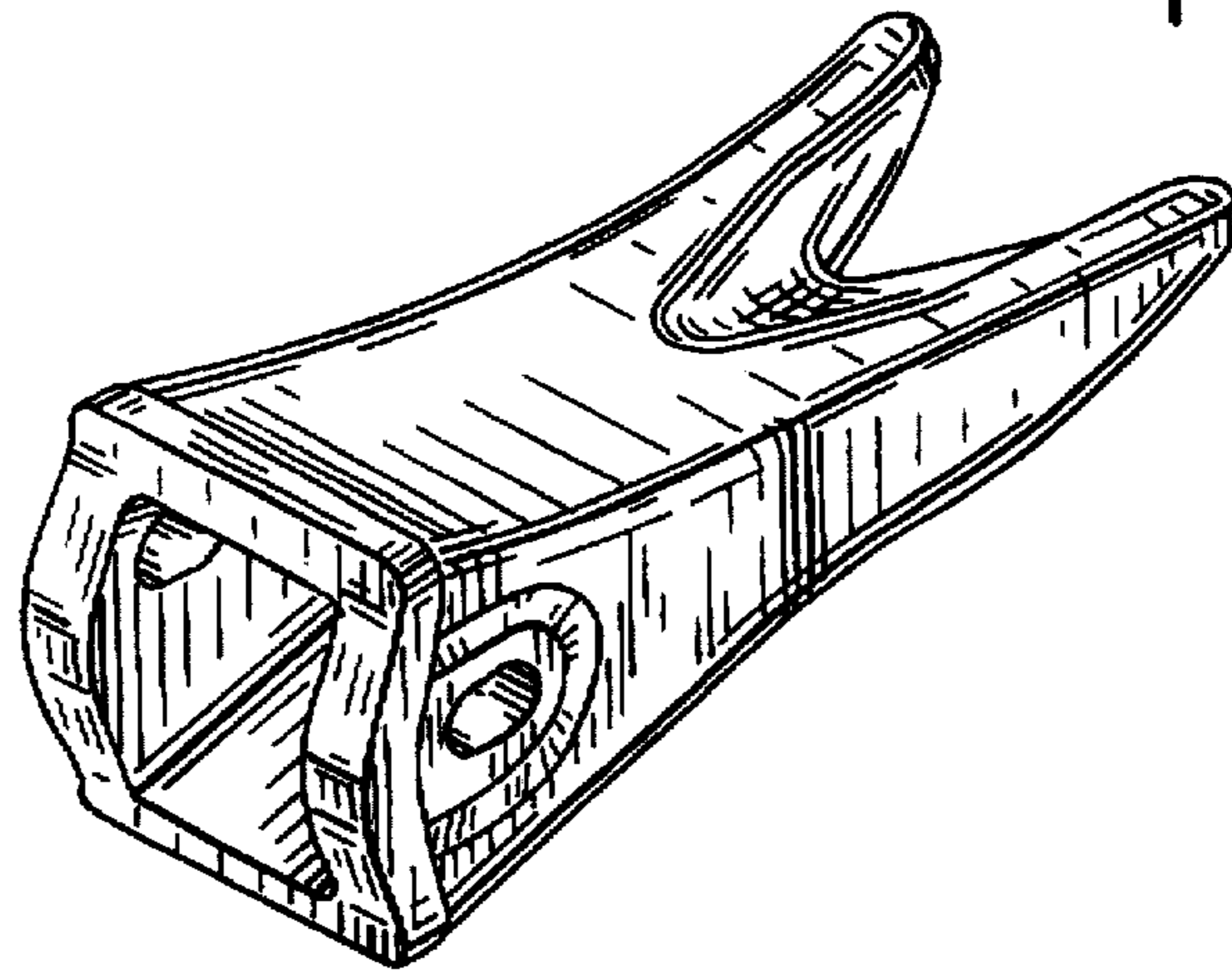


FIG. 2

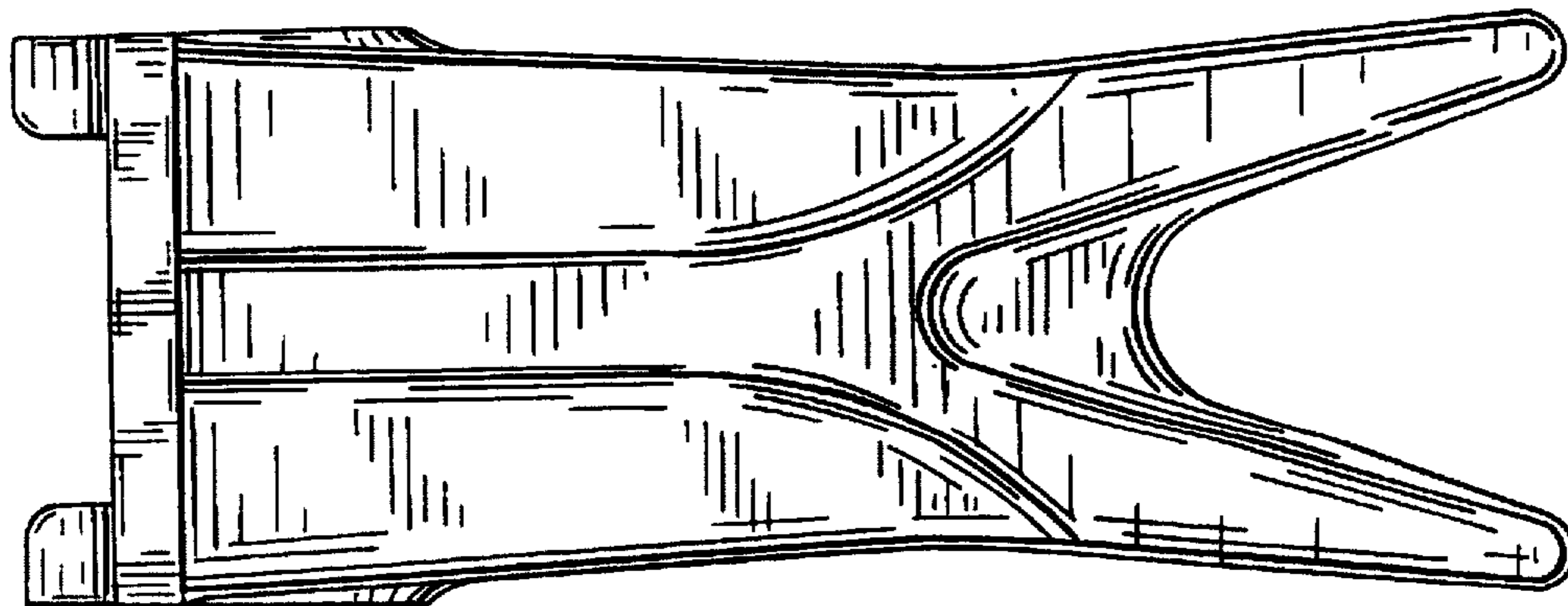
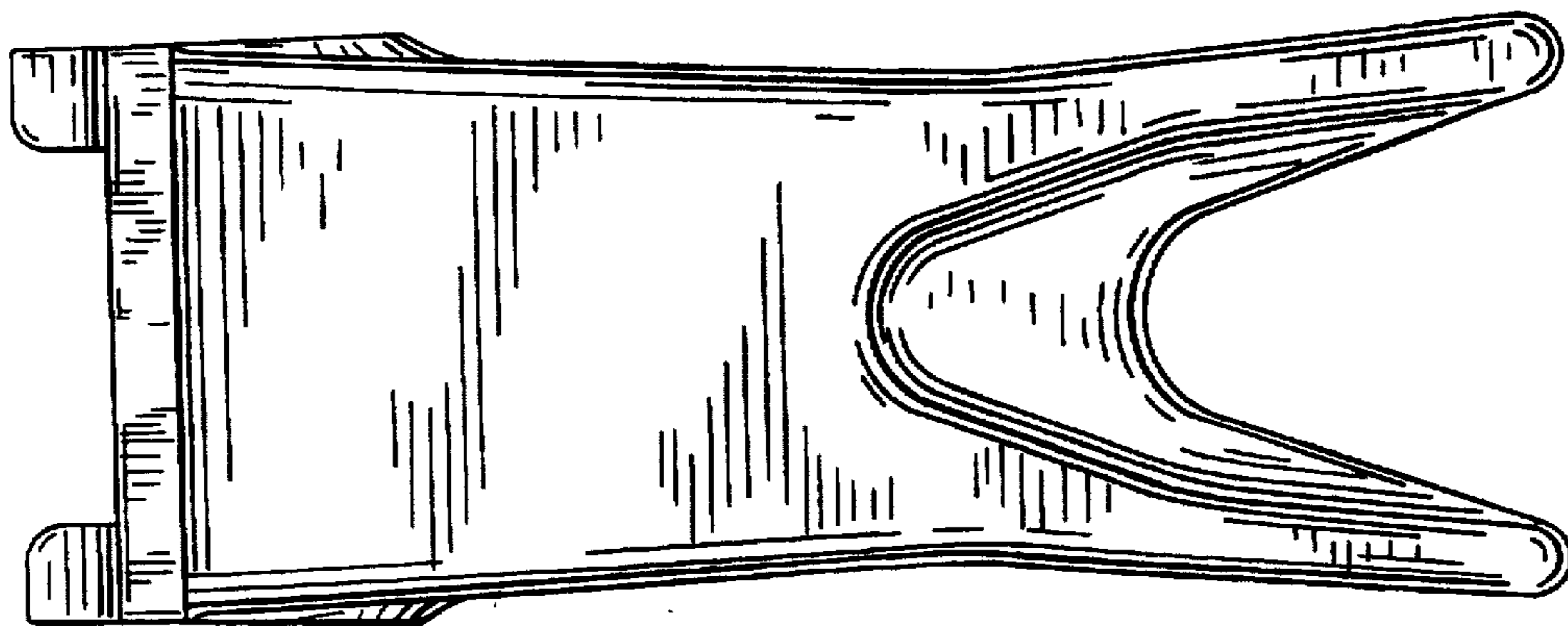


FIG. 3

FIG. 4

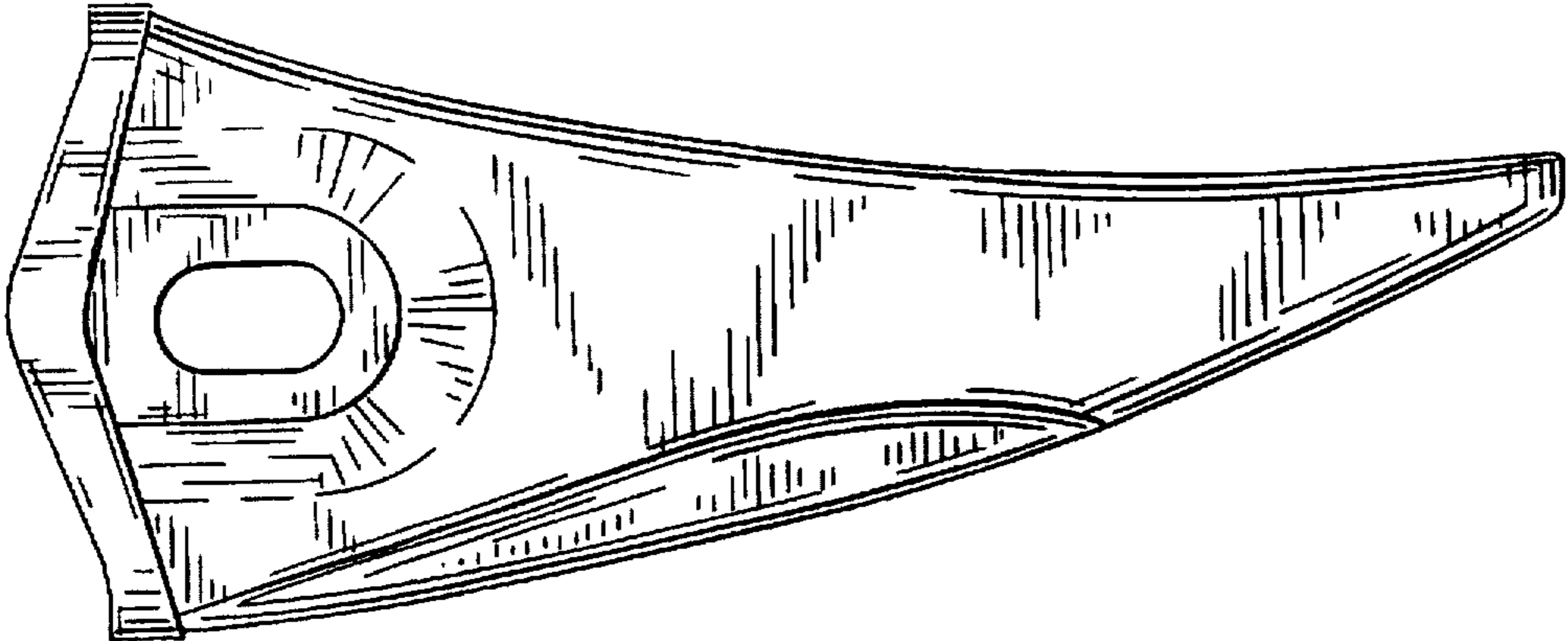


FIG. 5

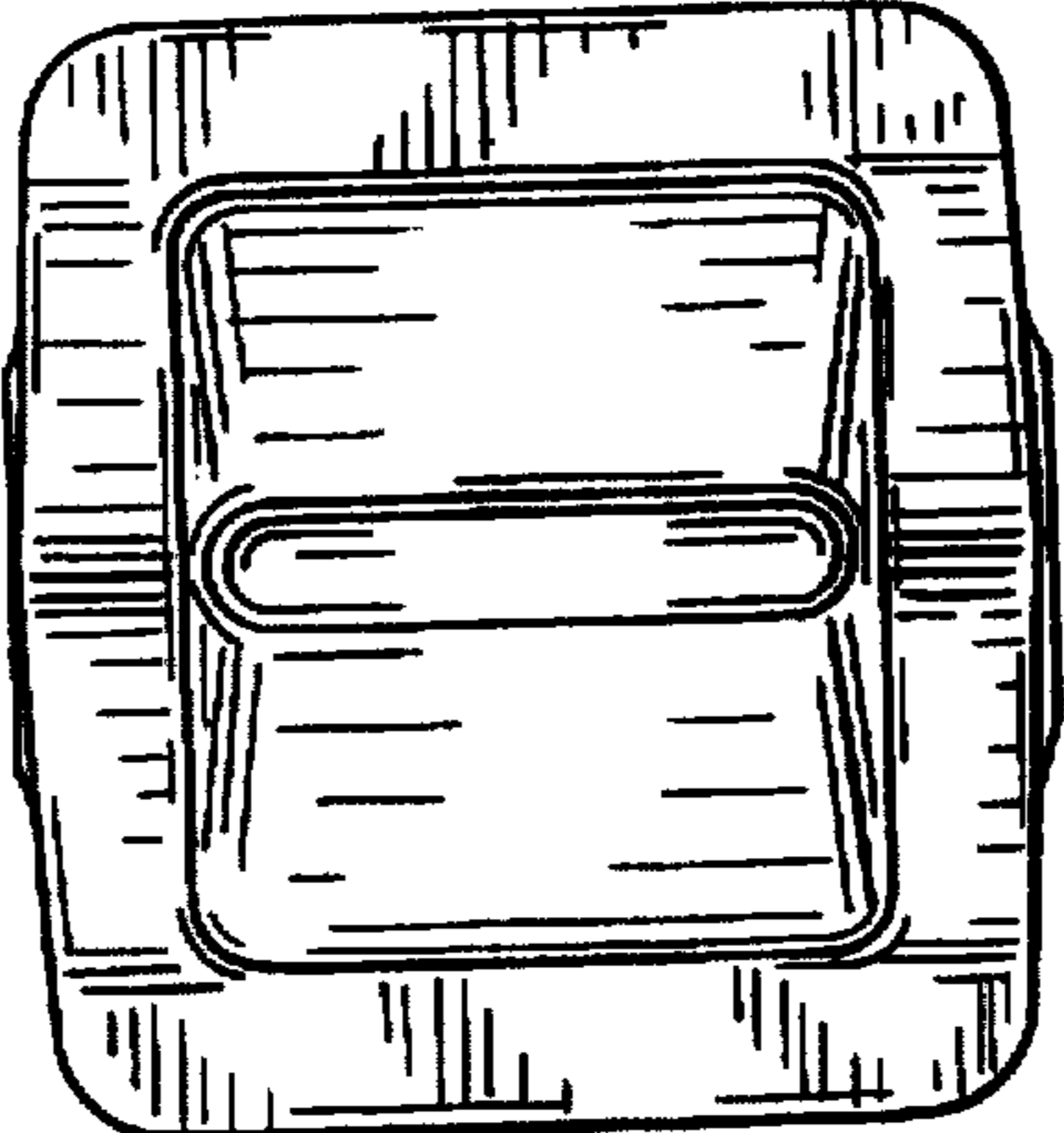
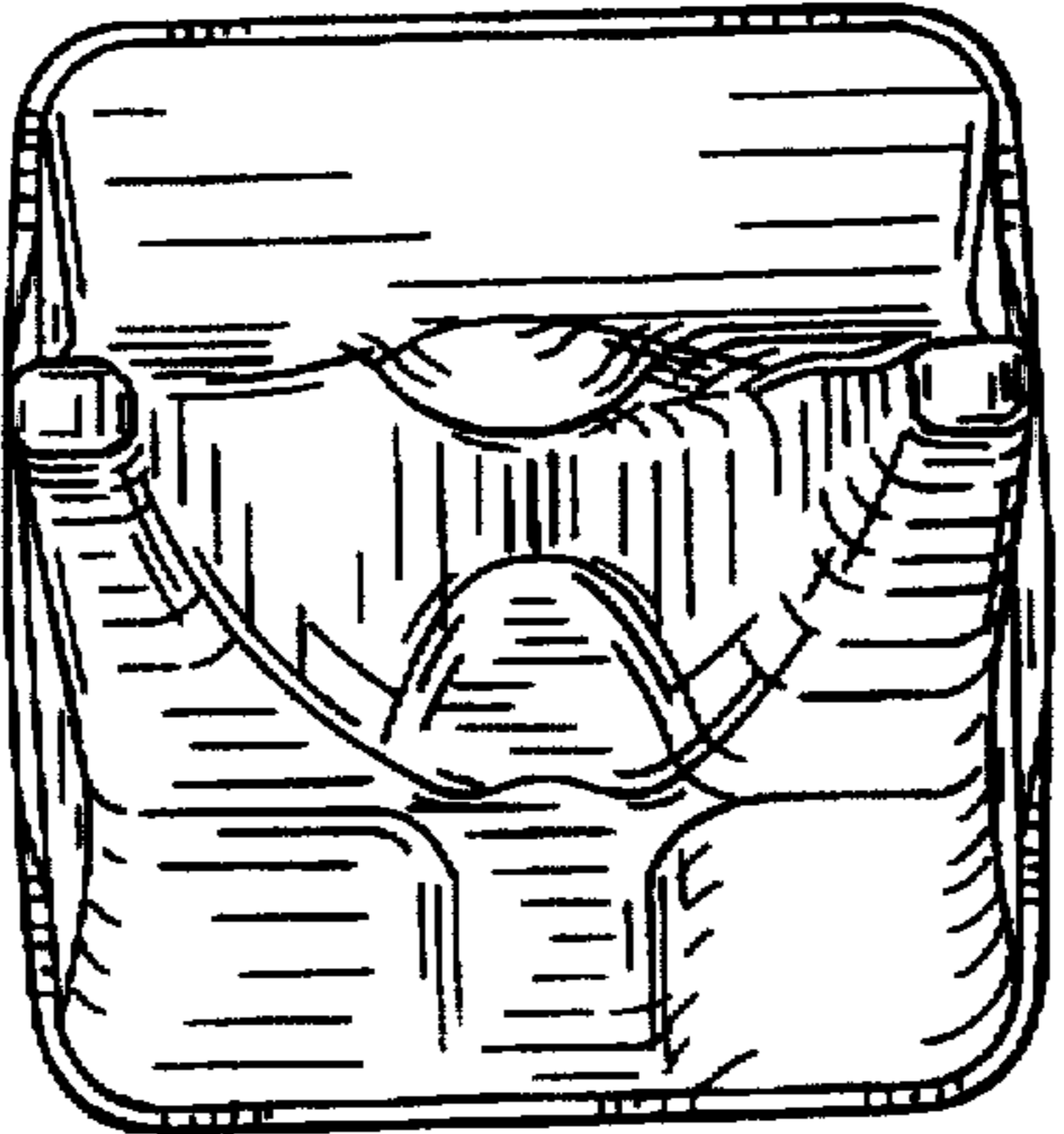


FIG. 6



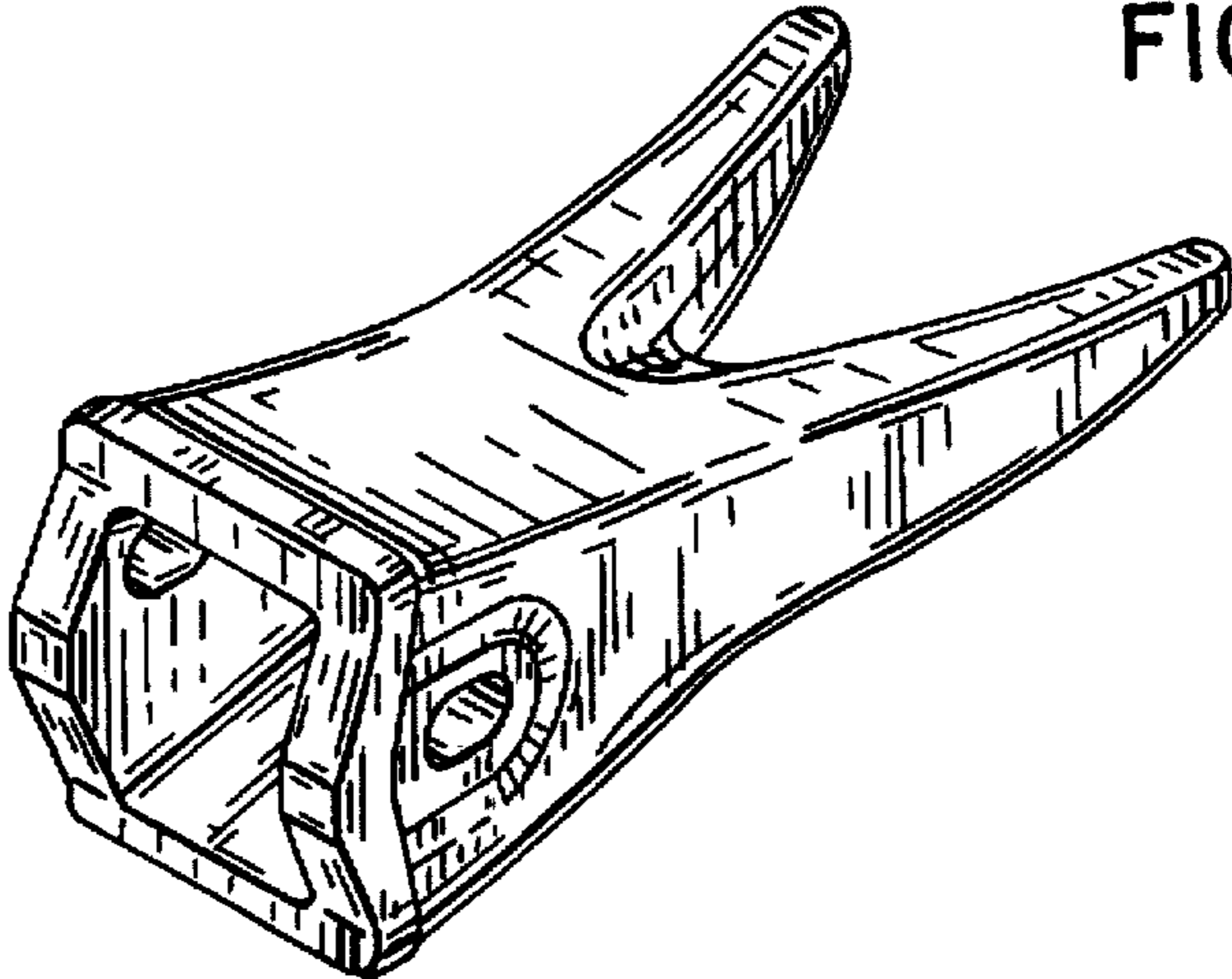


FIG. 7

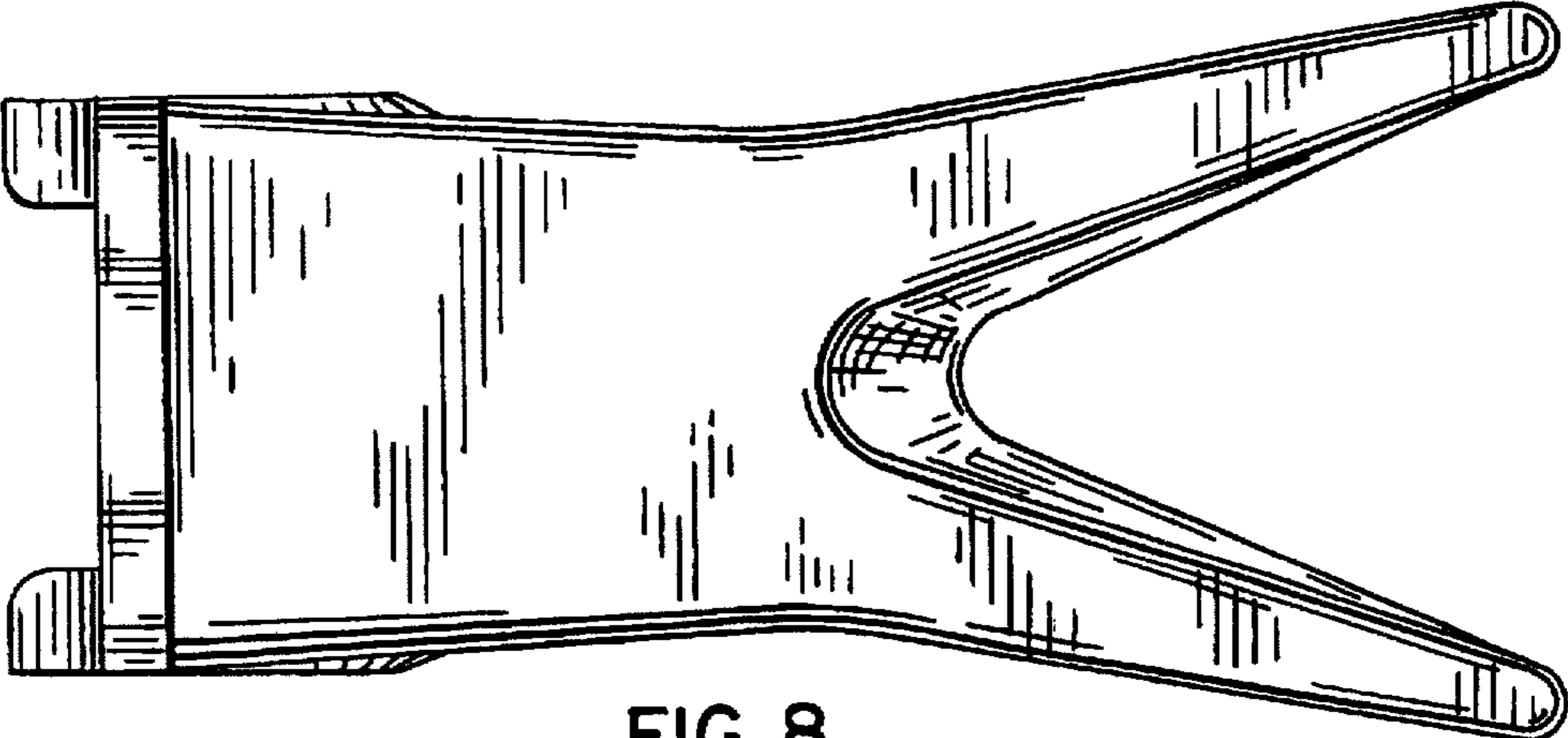


FIG. 8

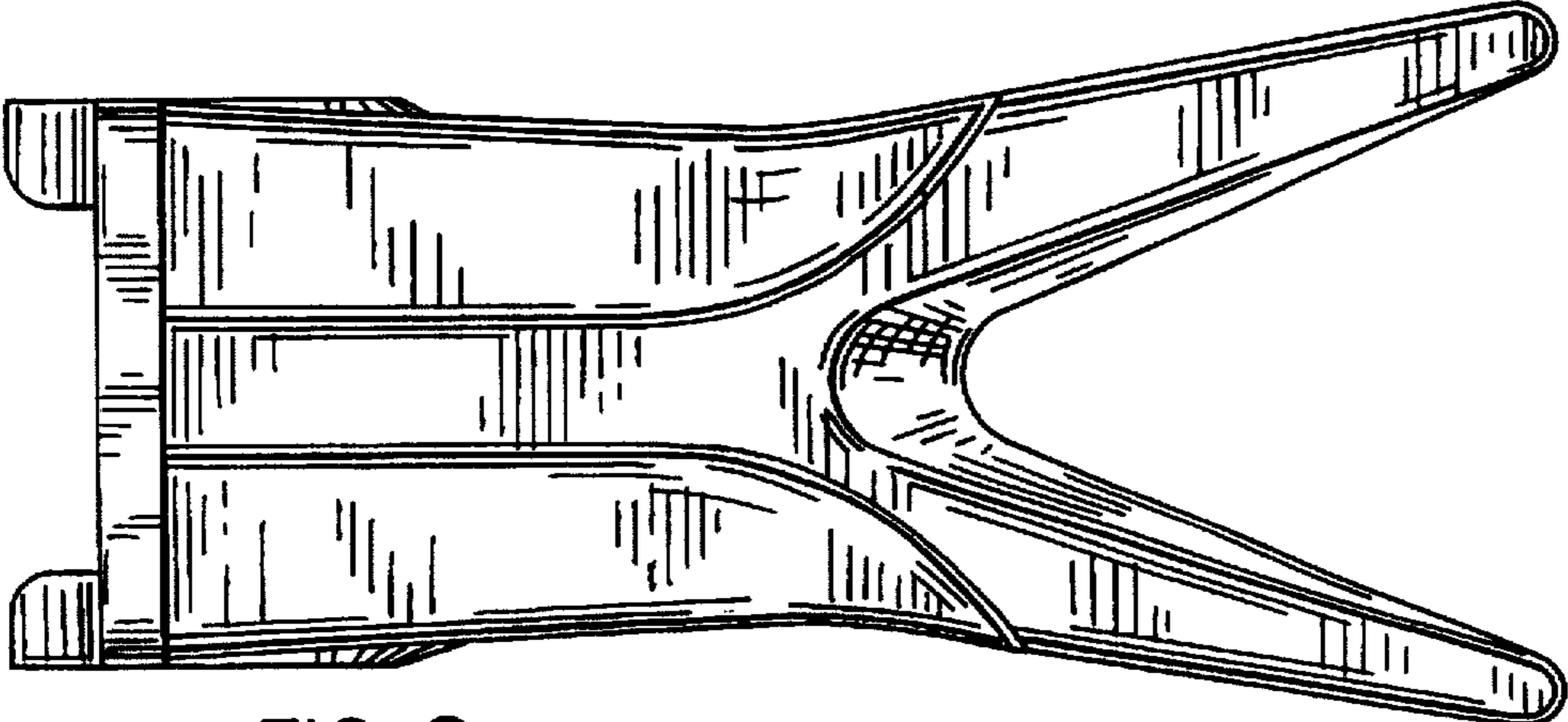


FIG. 9

FIG. 10

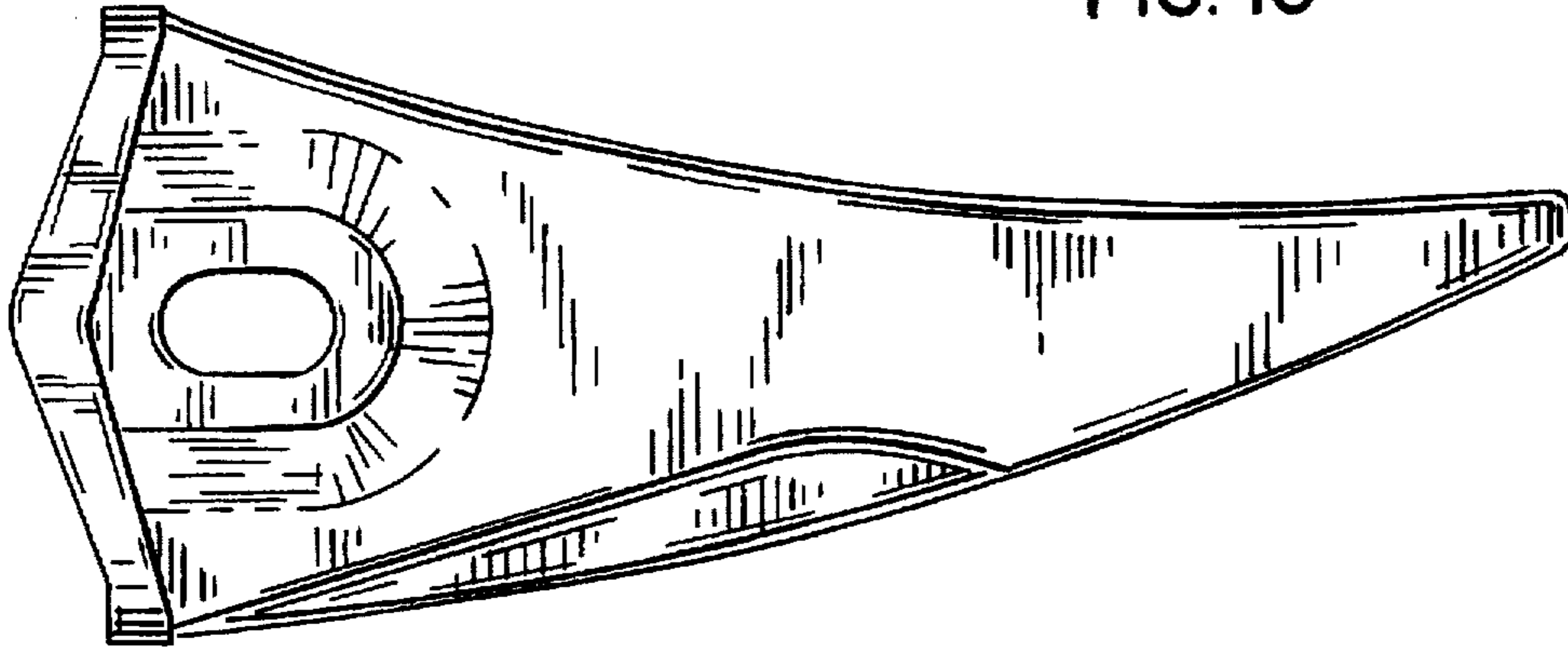


FIG. 11

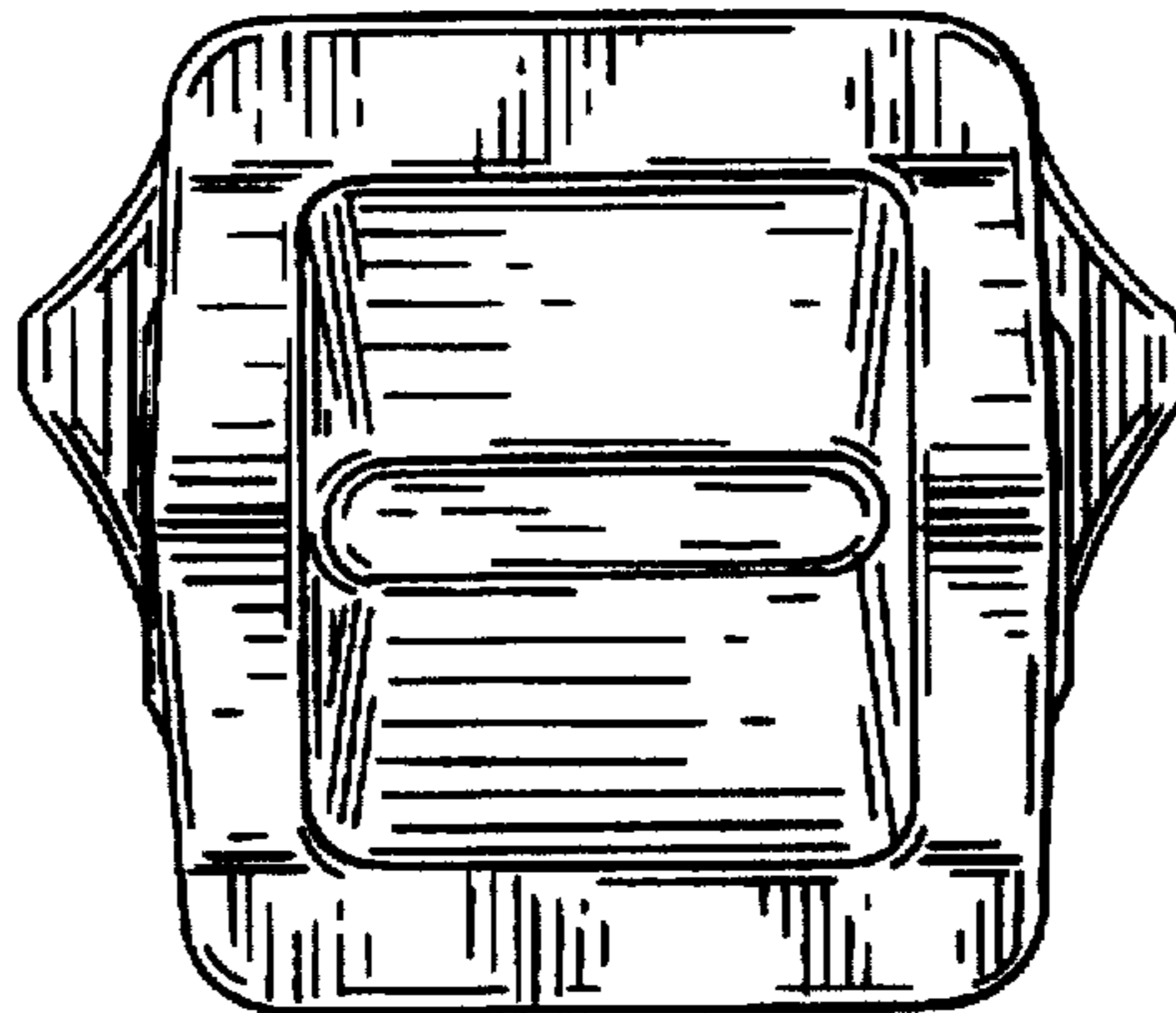


FIG. 12

