



US00D397695S

United States Patent [19]

Wittmeier, II et al.

[11] Patent Number: **Des. 397,695**

[45] Date of Patent: ****Sep. 1, 1998**

[54] **TELECOMMUNICATIONS TERMINAL**

[75] Inventors: **David Arthur Wittmeier, II; William Norris Beauchamp**, both of Raleigh, N.C.

[73] Assignee: **Raychem Corporation**, Menlo Park, Calif.

[**] Term: **14 Years**

[21] Appl. No.: **60,009**

[22] Filed: **Sep. 19, 1996**

[51] **LOC (6) Cl.** **14-03**

[52] **U.S. Cl.** **D14/256; D13/147; D14/240**

[58] **Field of Search** **D13/133, 137, D13/146, 147, 151, 152, 177, 184; D14/240, 140, 256, 299; 439/676, 535, 607, 638, 76.1**

[56] **References Cited**

U.S. PATENT DOCUMENTS

D. 278,624	4/1985	Stone	D13/146
D. 313,970	1/1991	Reeves	D13/147
D. 372,703	8/1996	Hannon et al.	D13/152
D. 382,274	8/1997	Lo et al.	D14/256
5,328,390	7/1994	Johnston et al.	439/676 X
5,417,583	5/1995	Ishizaki	D13/147 X

OTHER PUBLICATIONS

B.A. Pargh catalog Spring/Summer 1992, p. 340, 2-line Dual Modular Adaptor at top right.
Suttle Apparatus Catalog, pp. 54 and 55, Jun. 1992.

Primary Examiner—Jeffrey Asch
Attorney, Agent, or Firm—Herbert G. Burkard

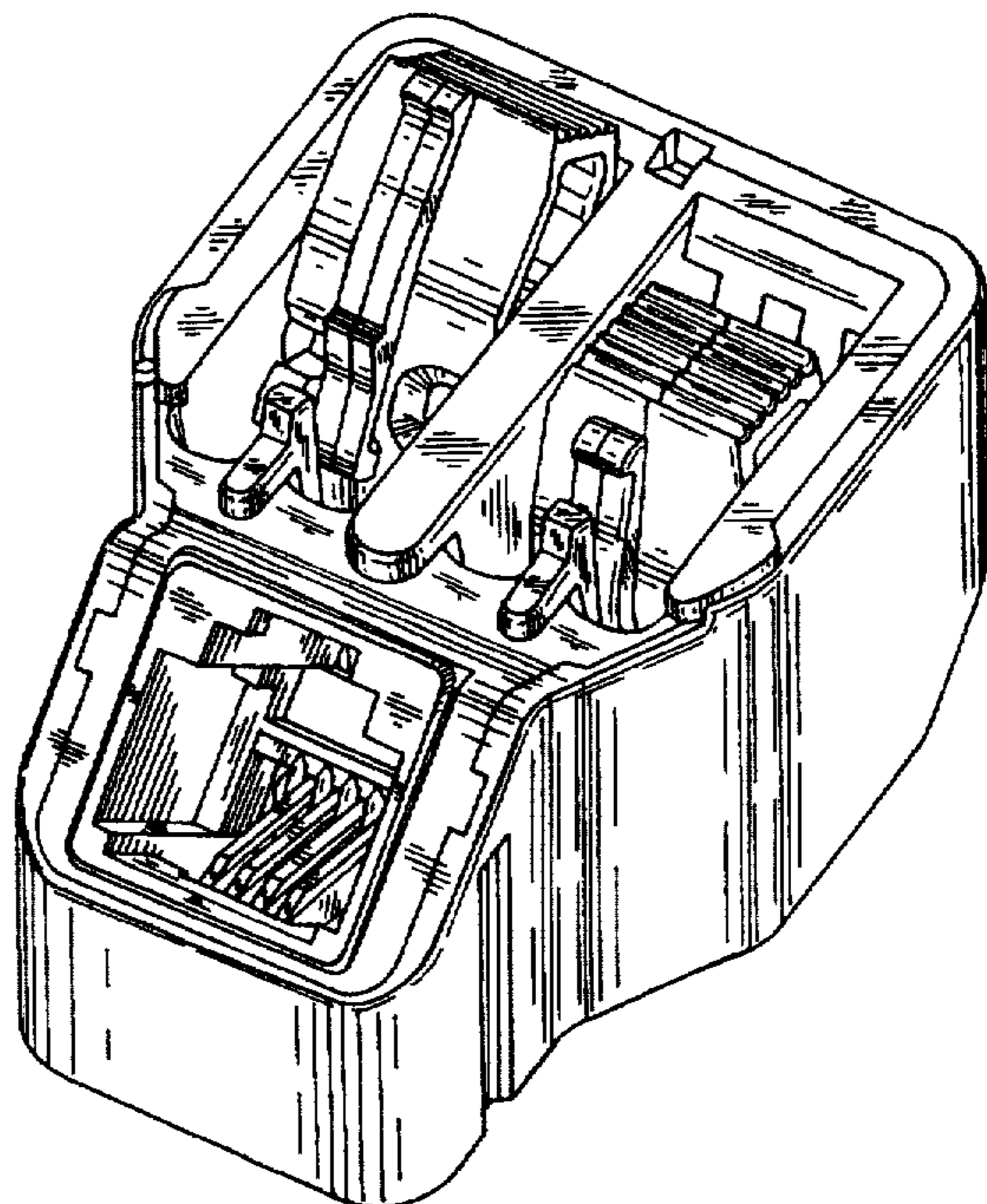
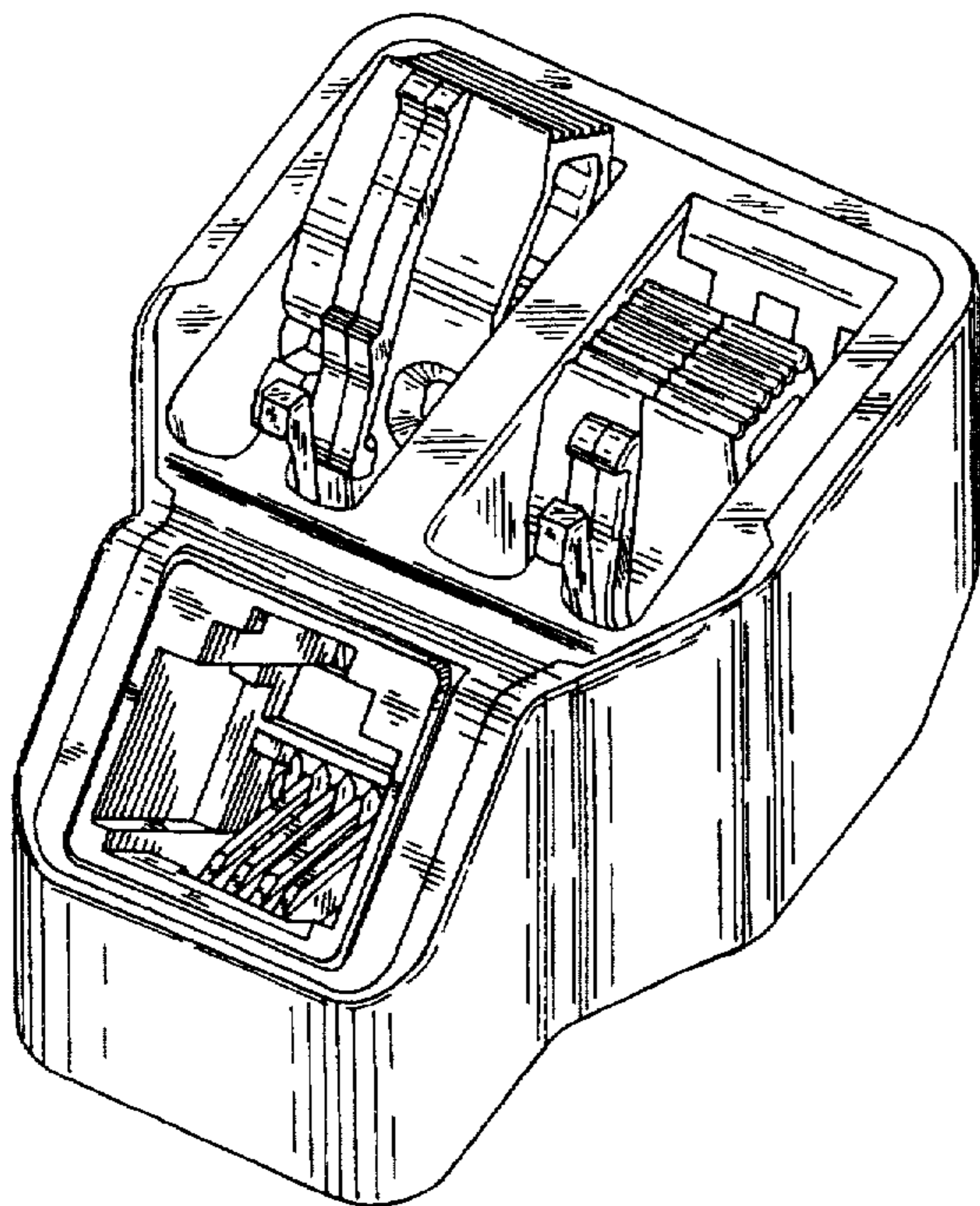
[57] **CLAIM**

The ornamental design for a telecommunications terminal, as shown and described.

DESCRIPTION

FIG. 1 is an upper front right isometric view of the telecommunications terminal showing our new design;
 FIG. 2 is a front elevational view thereof;
 FIG. 3 is a left side elevational view thereof;
 FIG. 4 is a right side elevational view thereof;
 FIG. 5 is a rear elevational view thereof;
 FIG. 6 is a top plan view thereof;
 FIG. 7 is a bottom plan view thereof;
 FIG. 8 is an upper front right isometric view of a second embodiment of our new design;
 FIG. 9 is a front elevational view of the embodiment shown in FIG. 8;
 FIG. 10 is a left side elevational view thereof;
 FIG. 11 is a right side elevational view thereof;
 FIG. 12 is a rear elevational view thereof;
 FIG. 13 is a top plan view thereof; and
 FIG. 14 is a bottom plan view thereof.

1 Claim, 14 Drawing Sheets



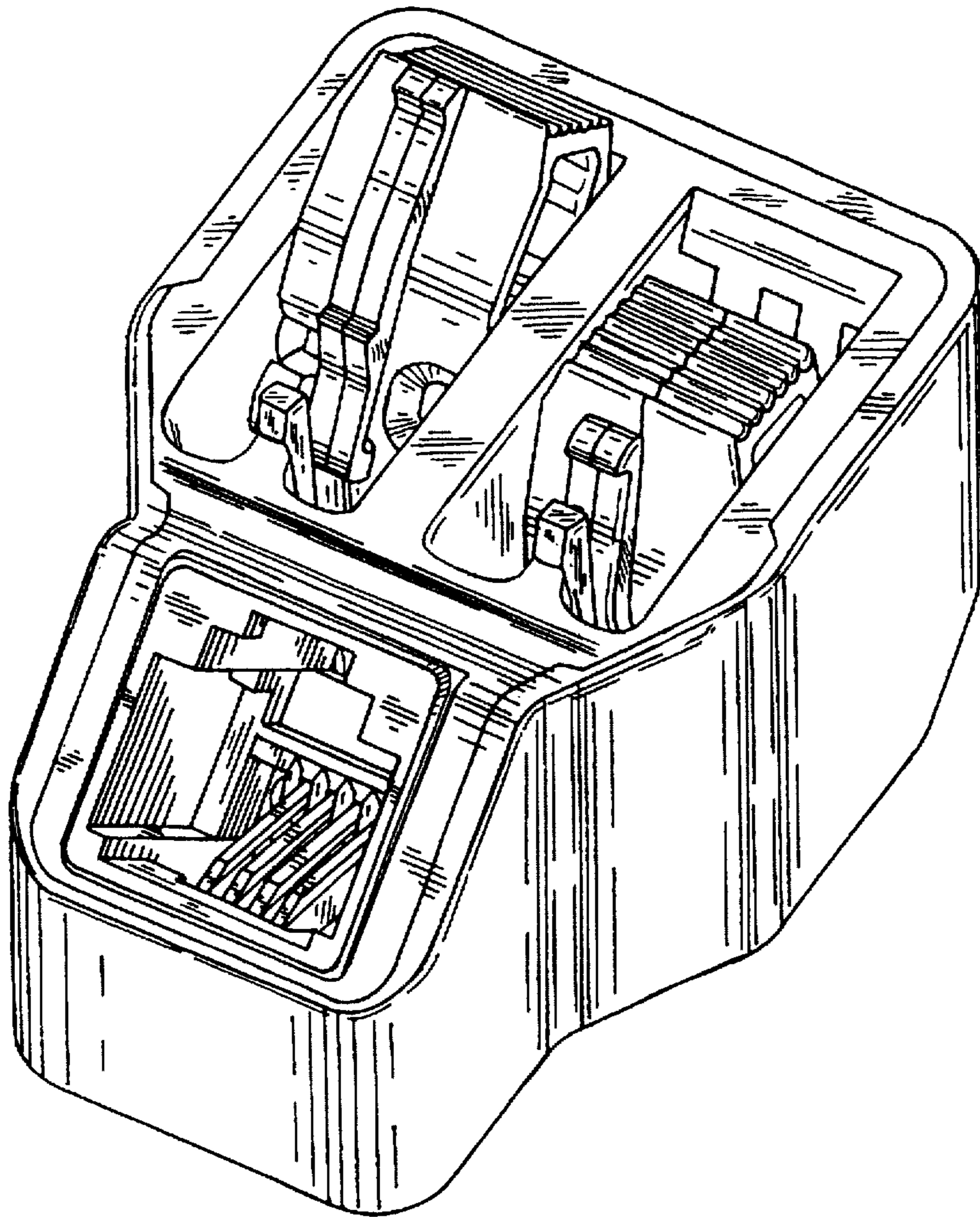


FIG. 1.

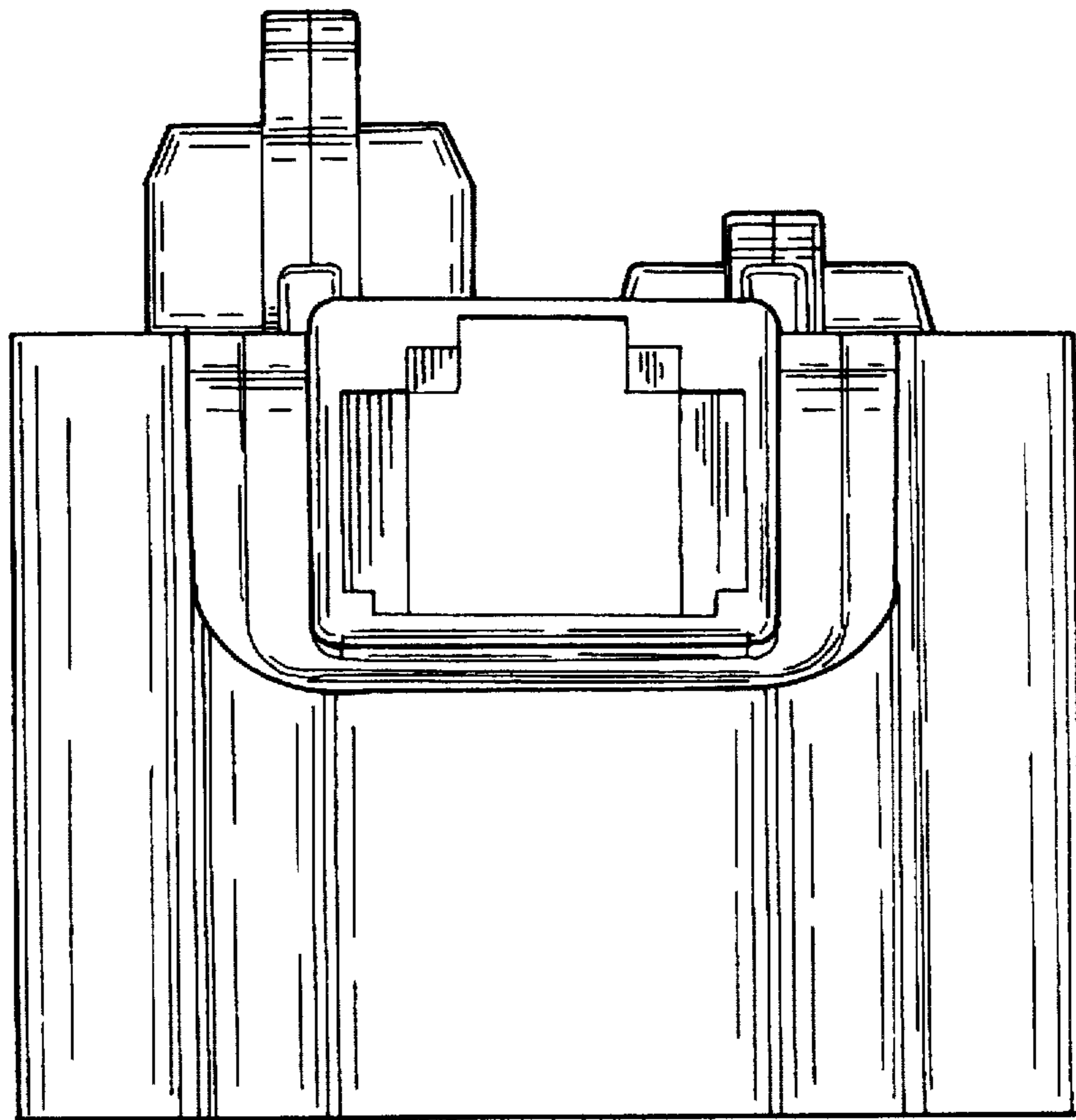


FIG. 2.

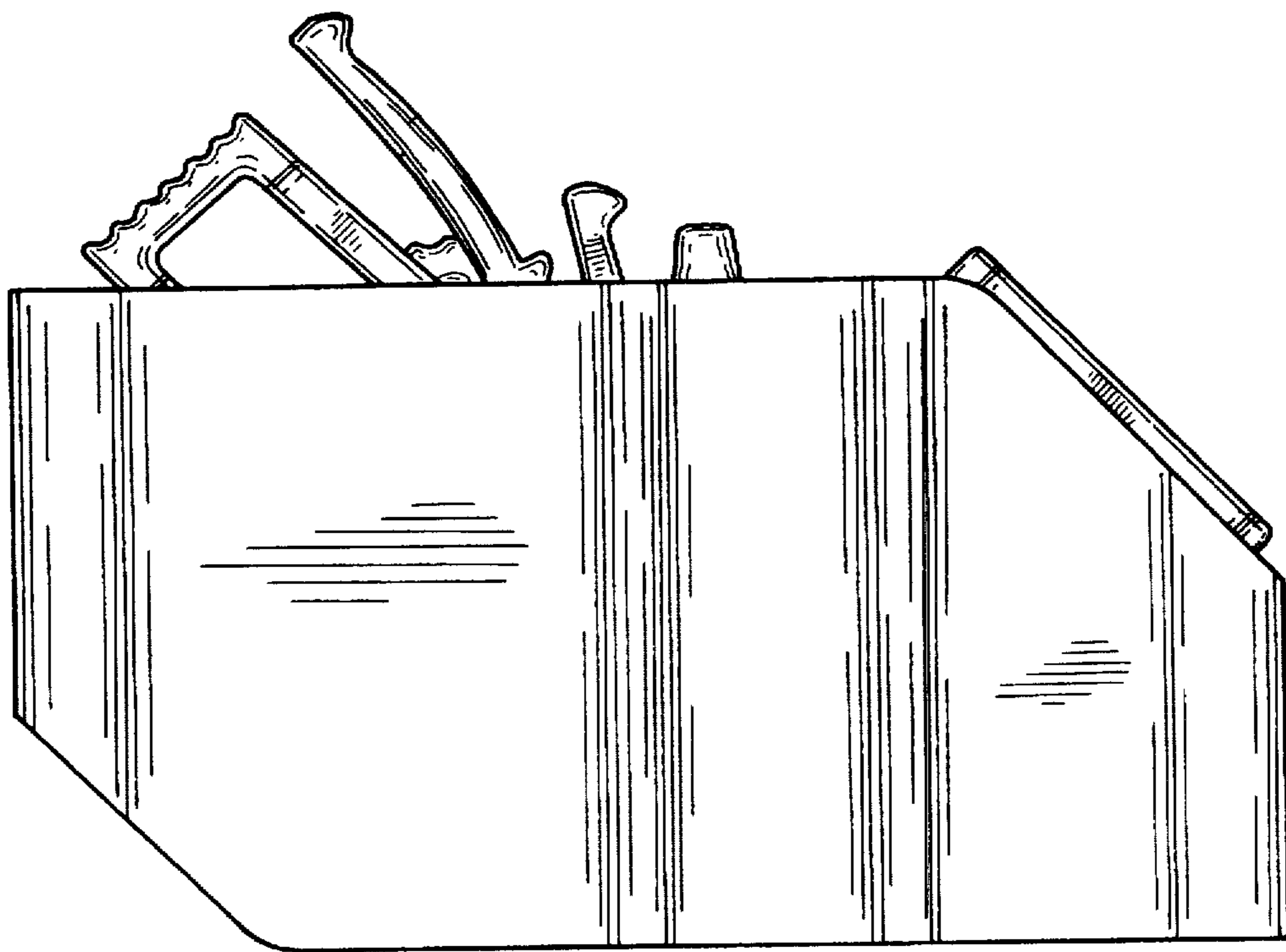


FIG. 3.

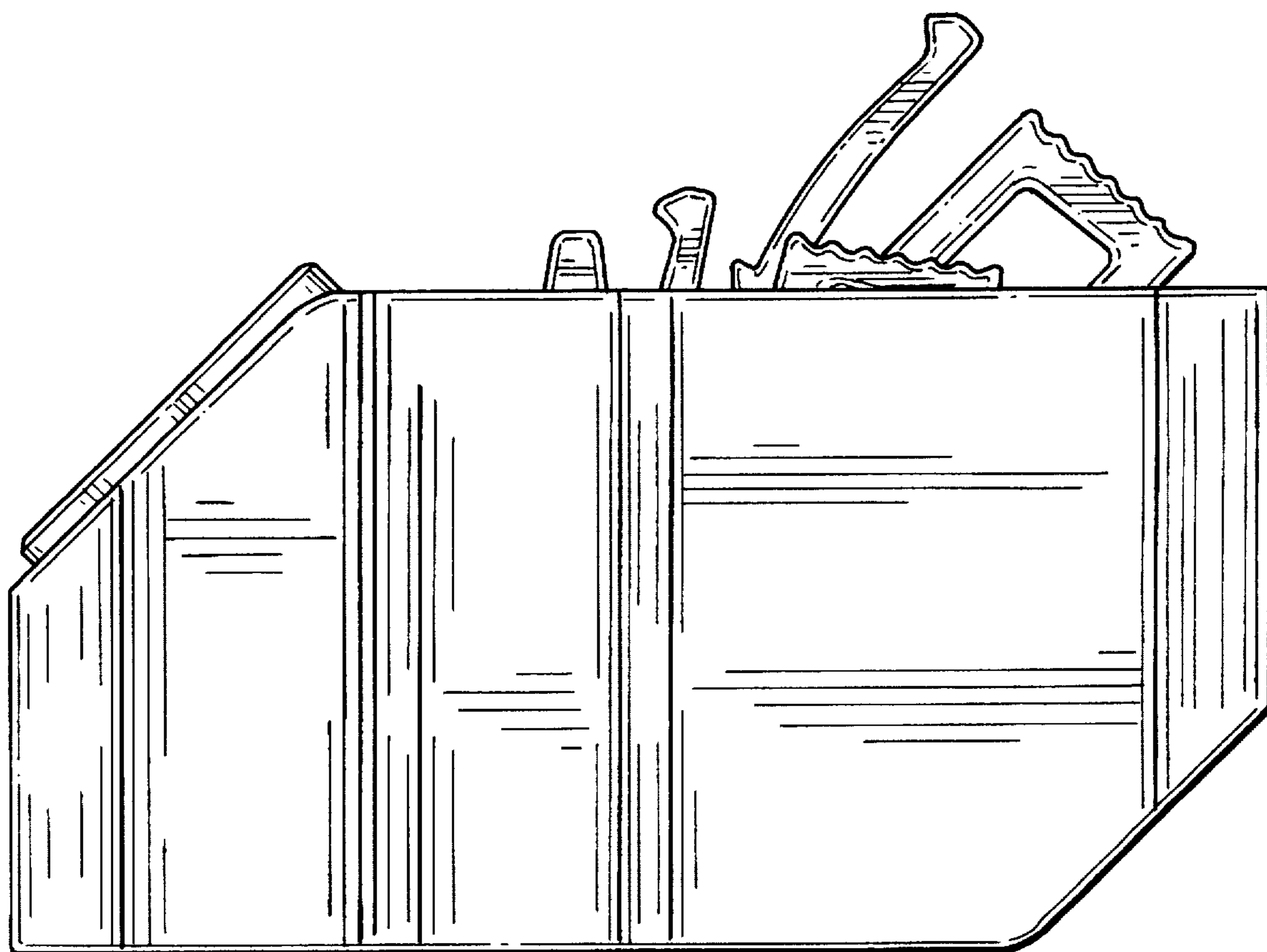


FIG. 4.

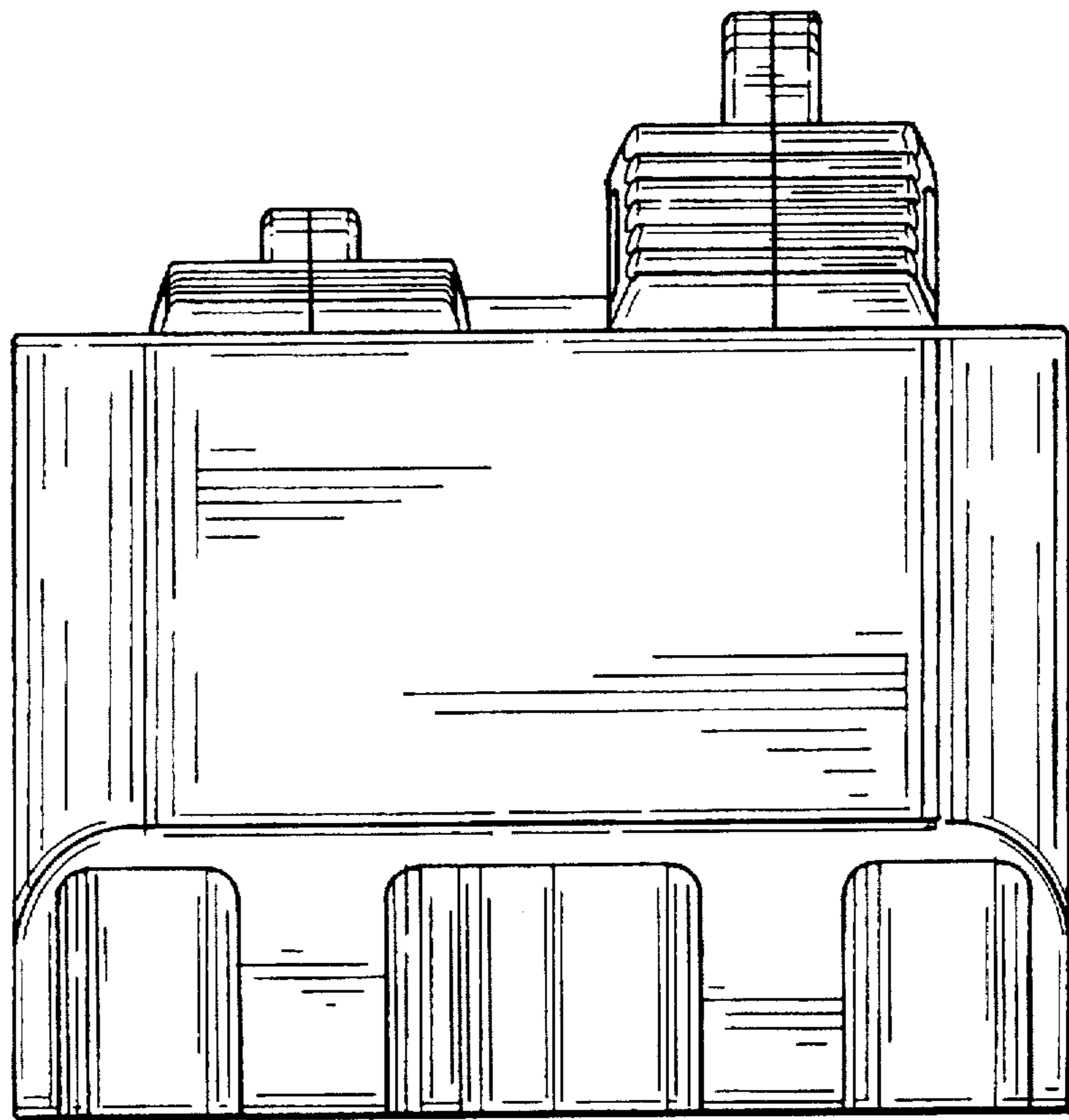


FIG. 5.

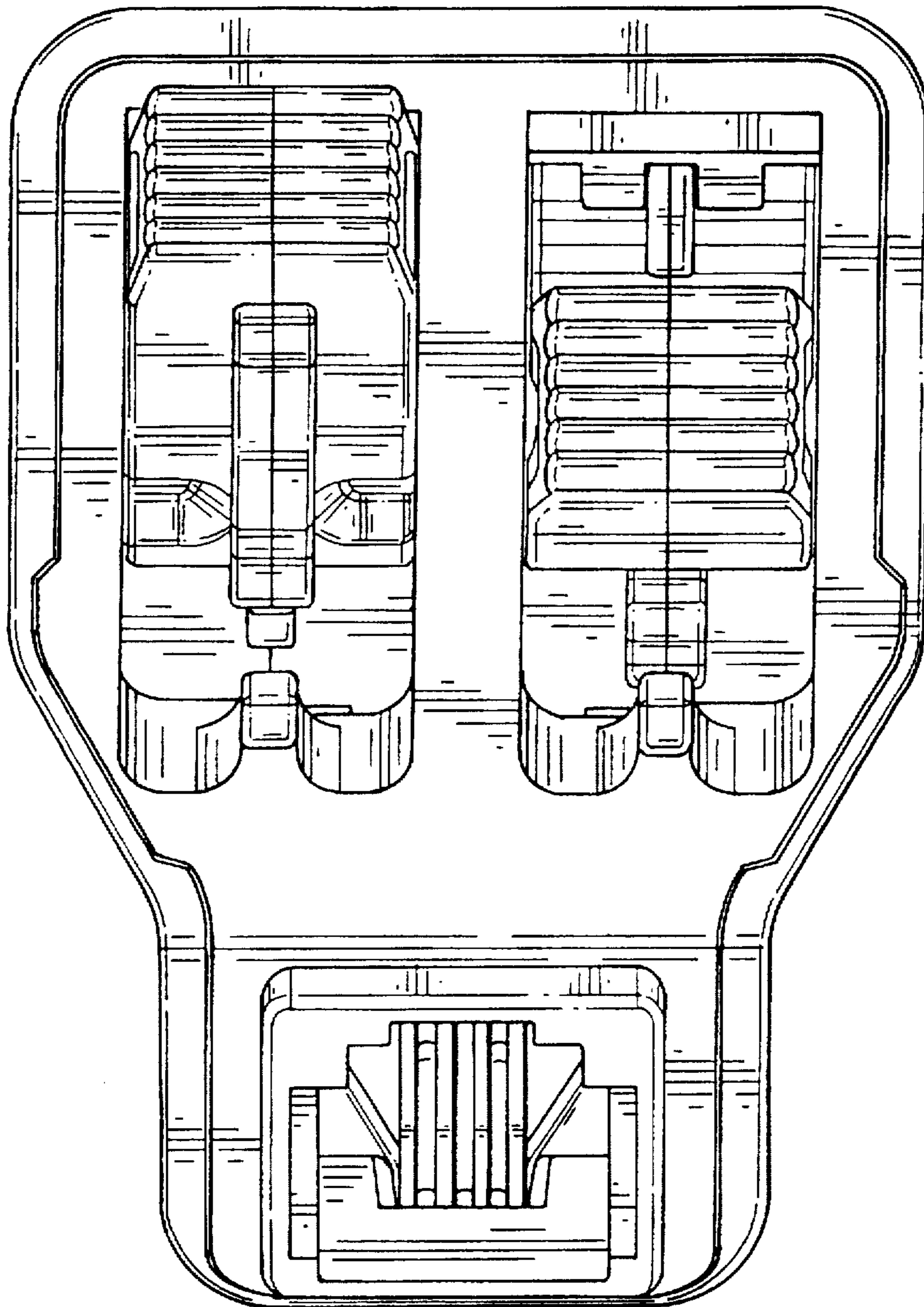


FIG. 6.

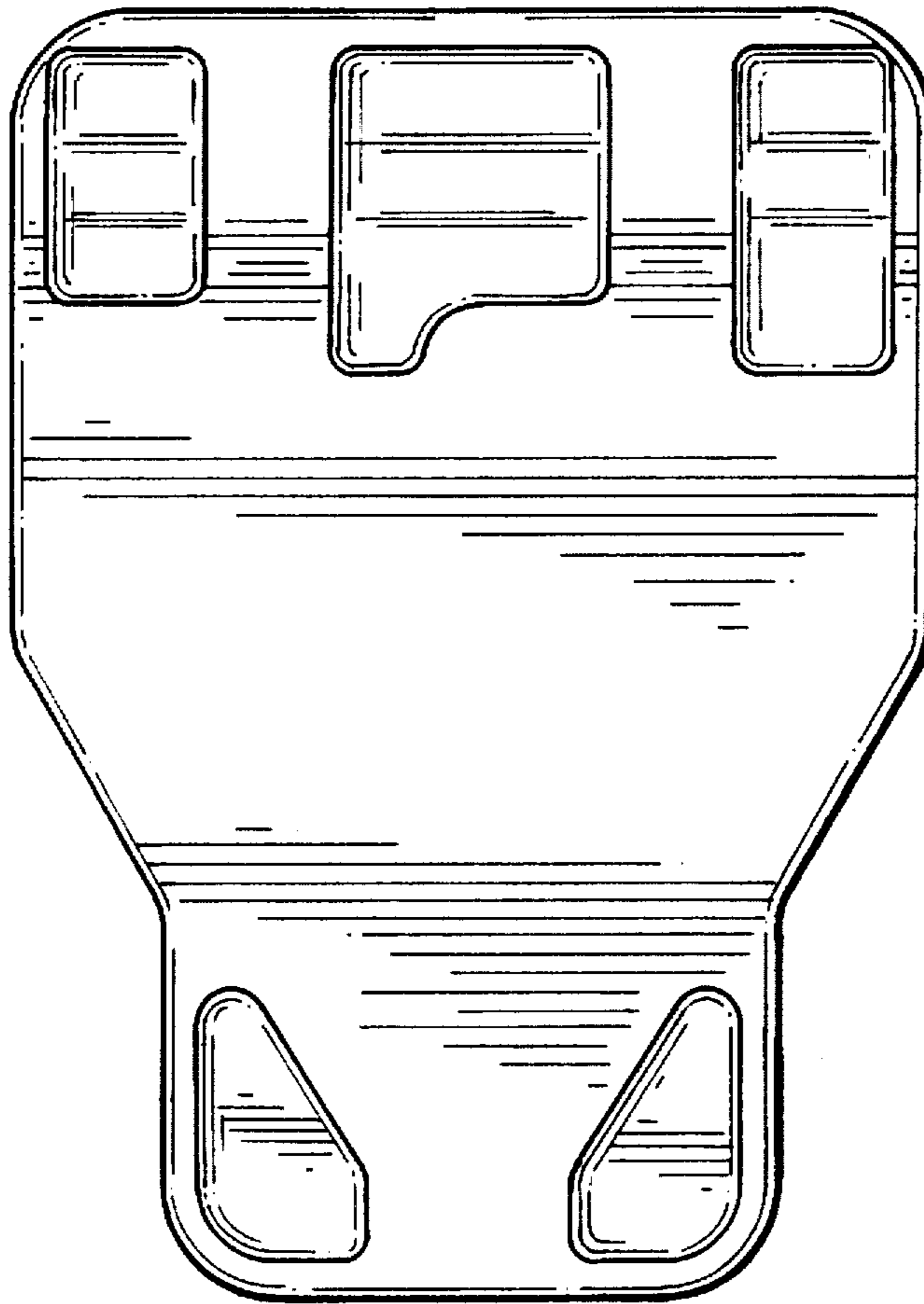


FIG. 7.

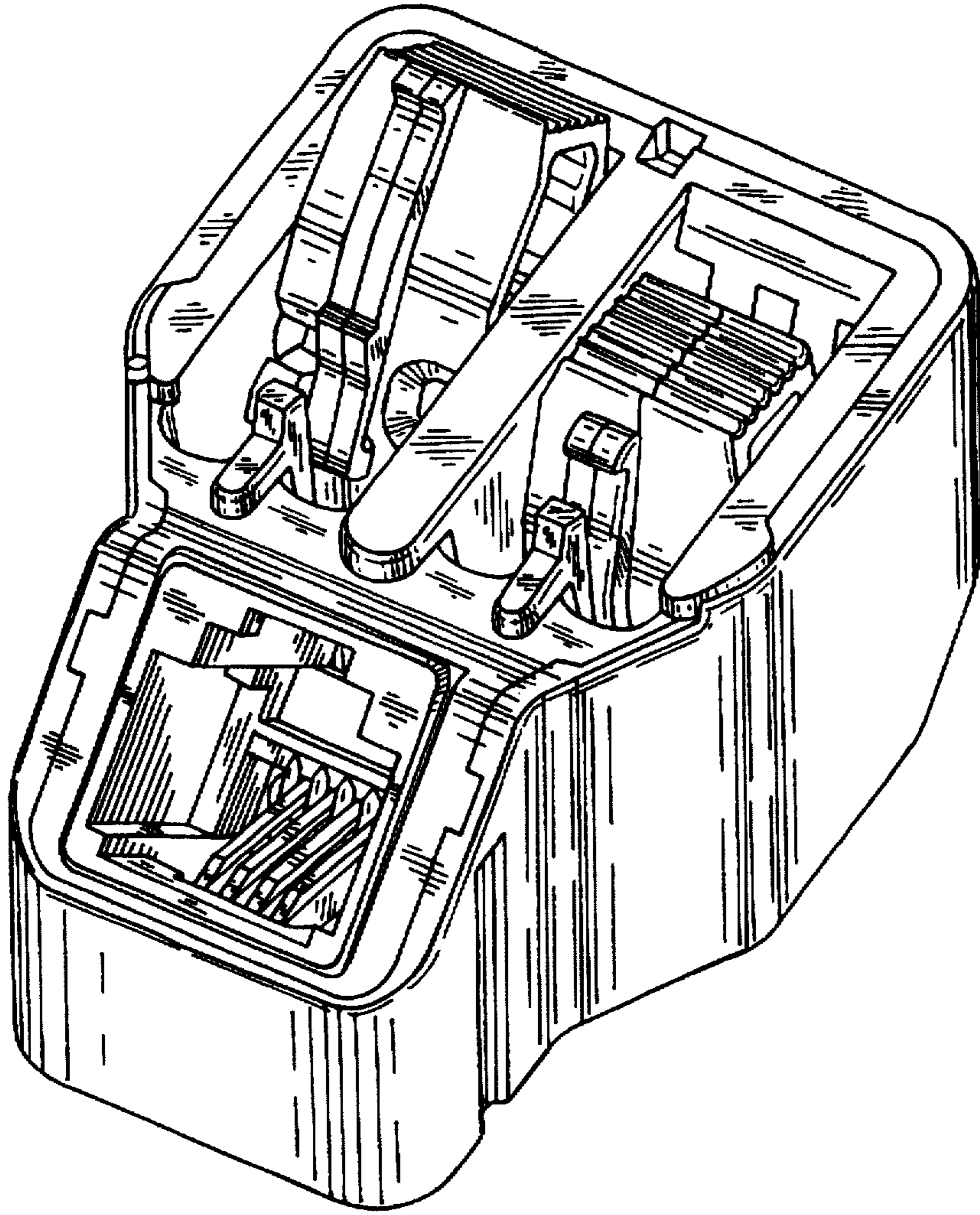


FIG. 8.

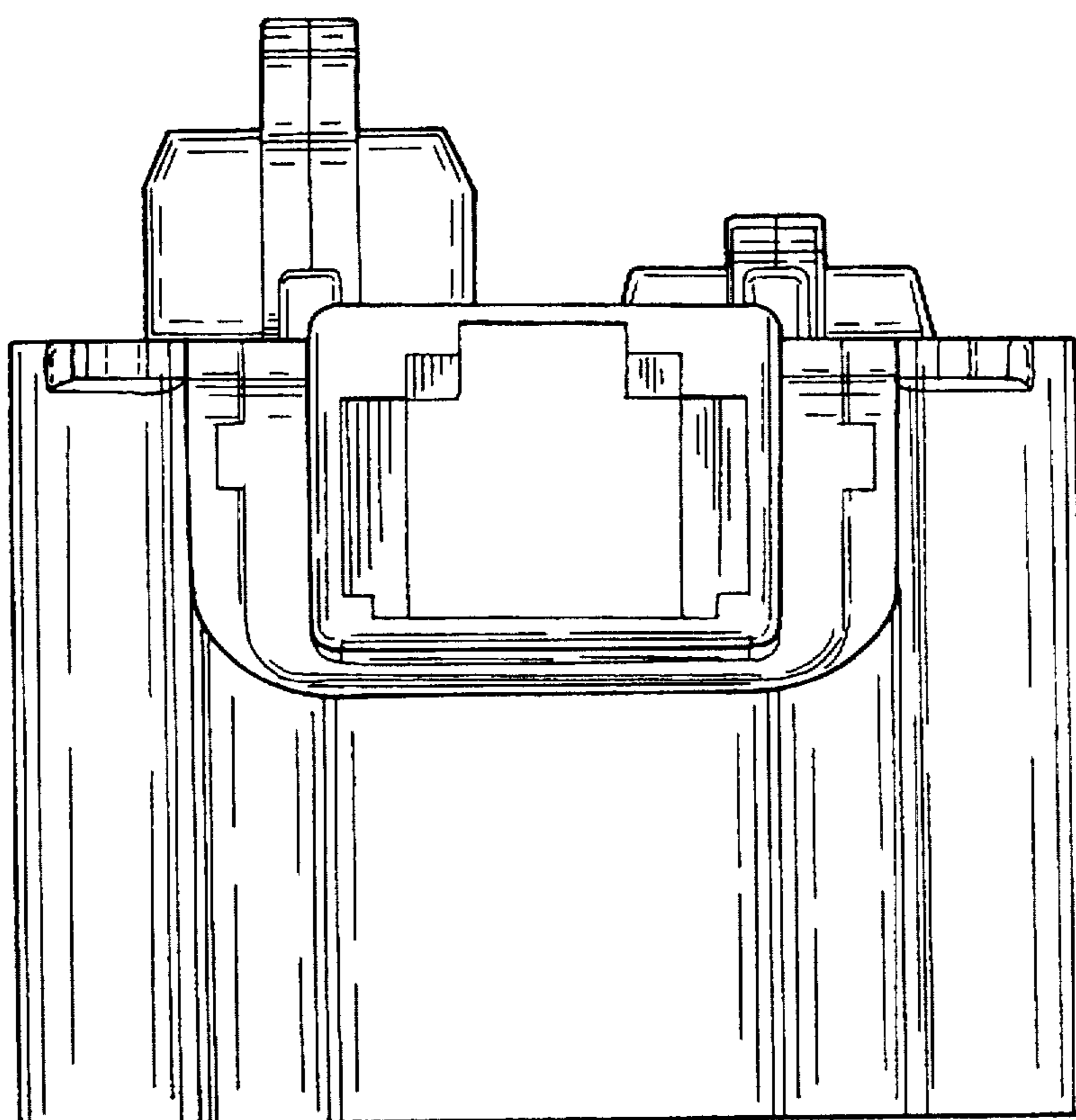


FIG. 9.

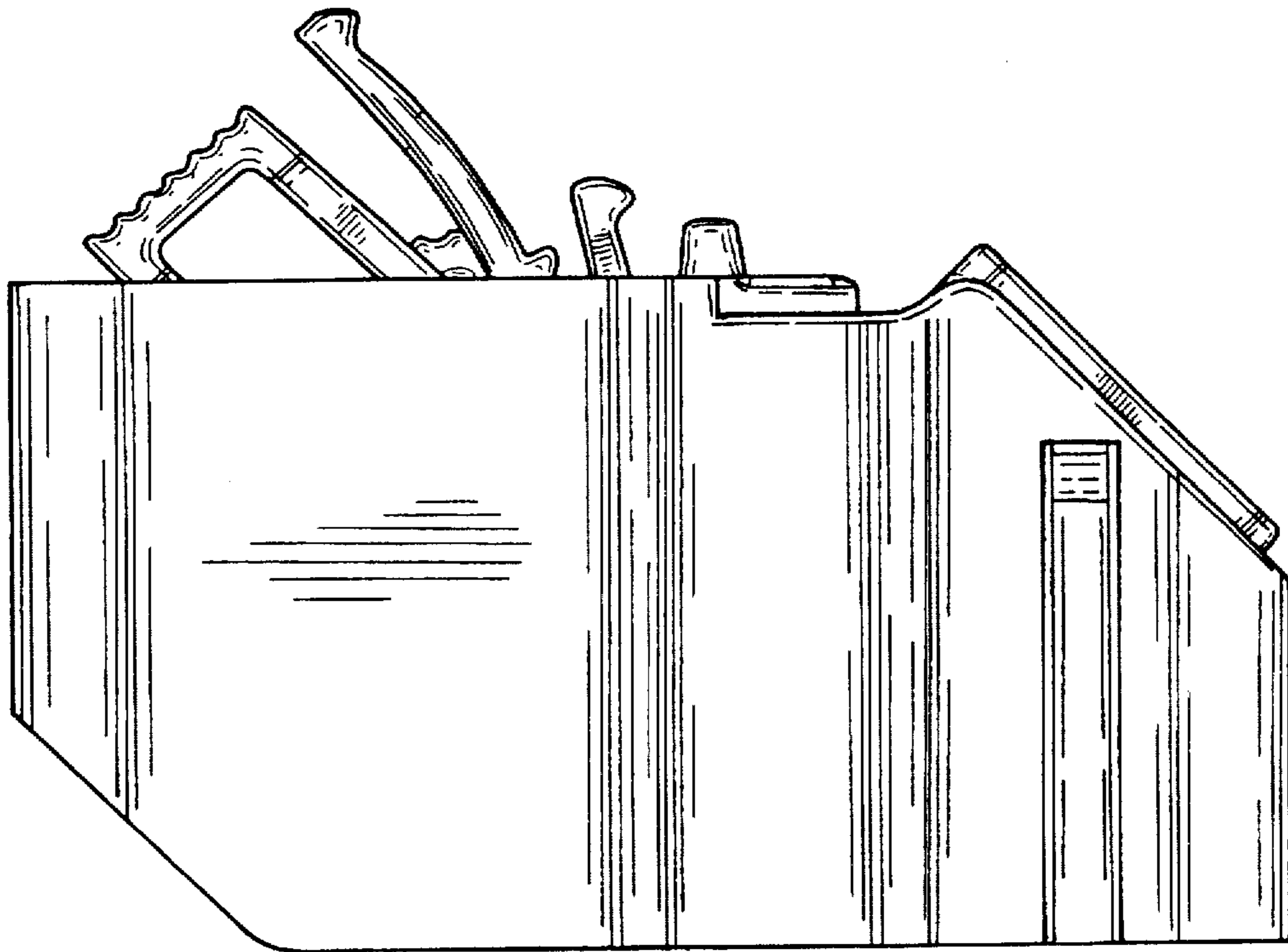


FIG. 10.

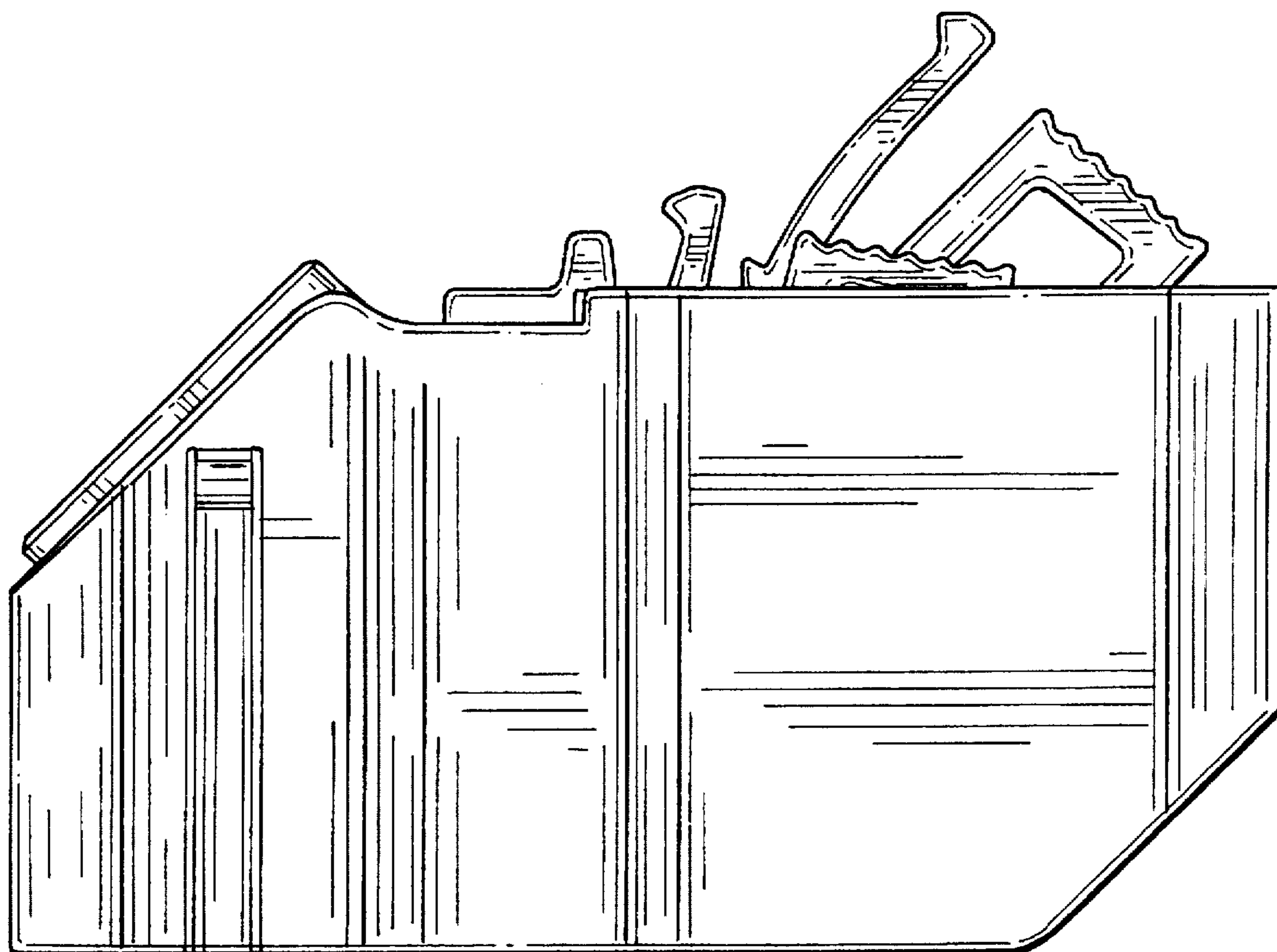


FIG. II.

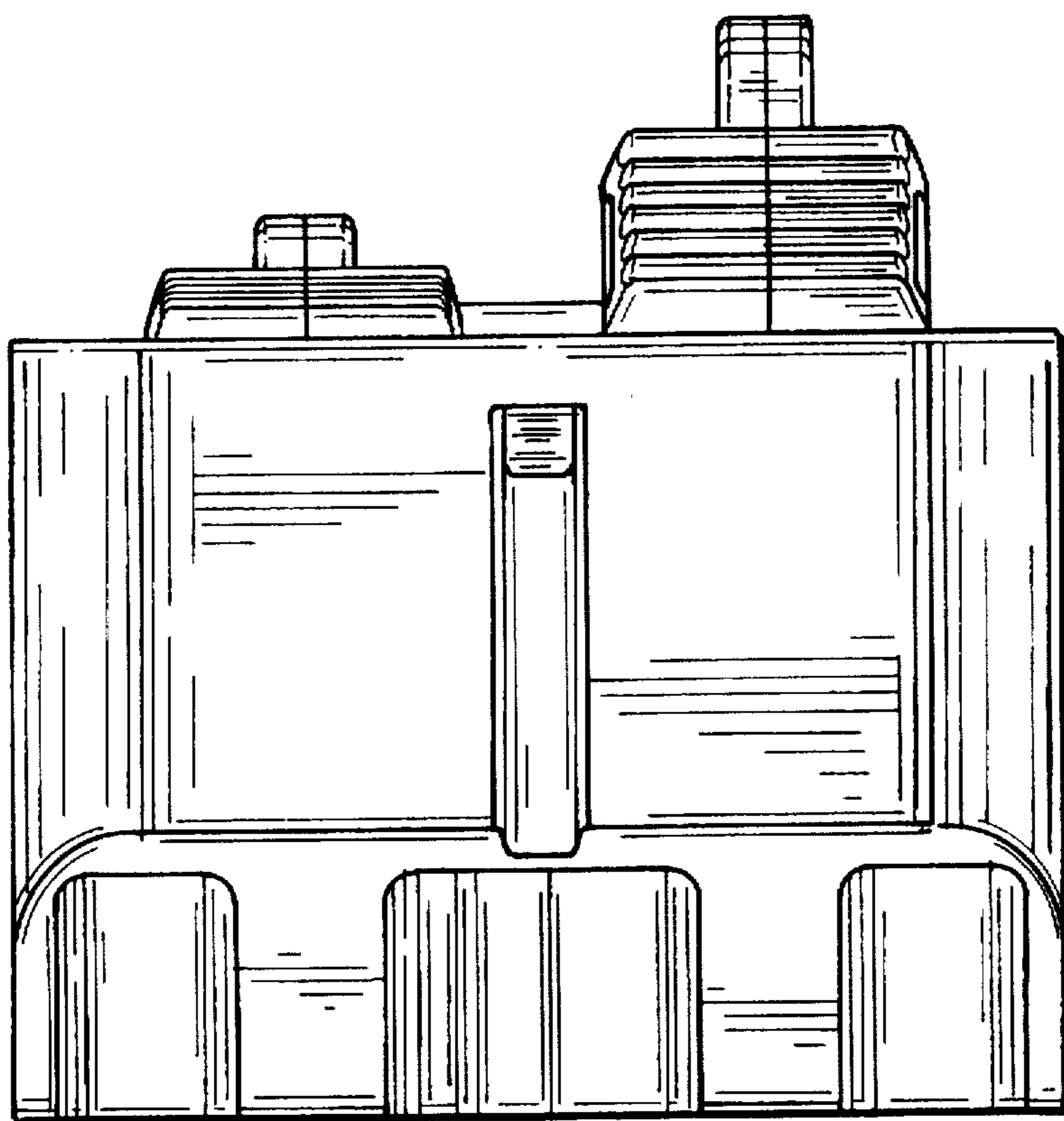


FIG. 12.

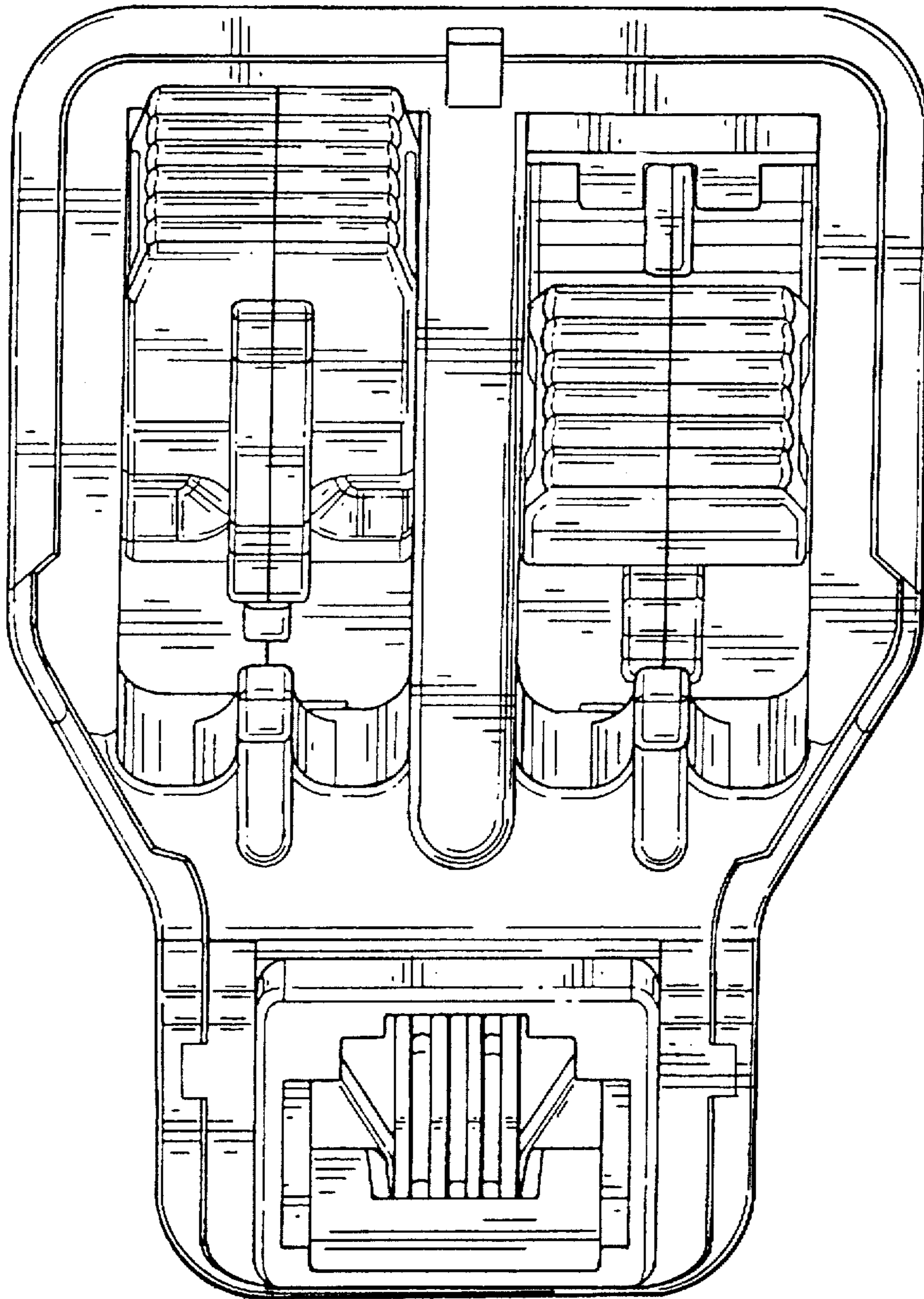


FIG. 13.

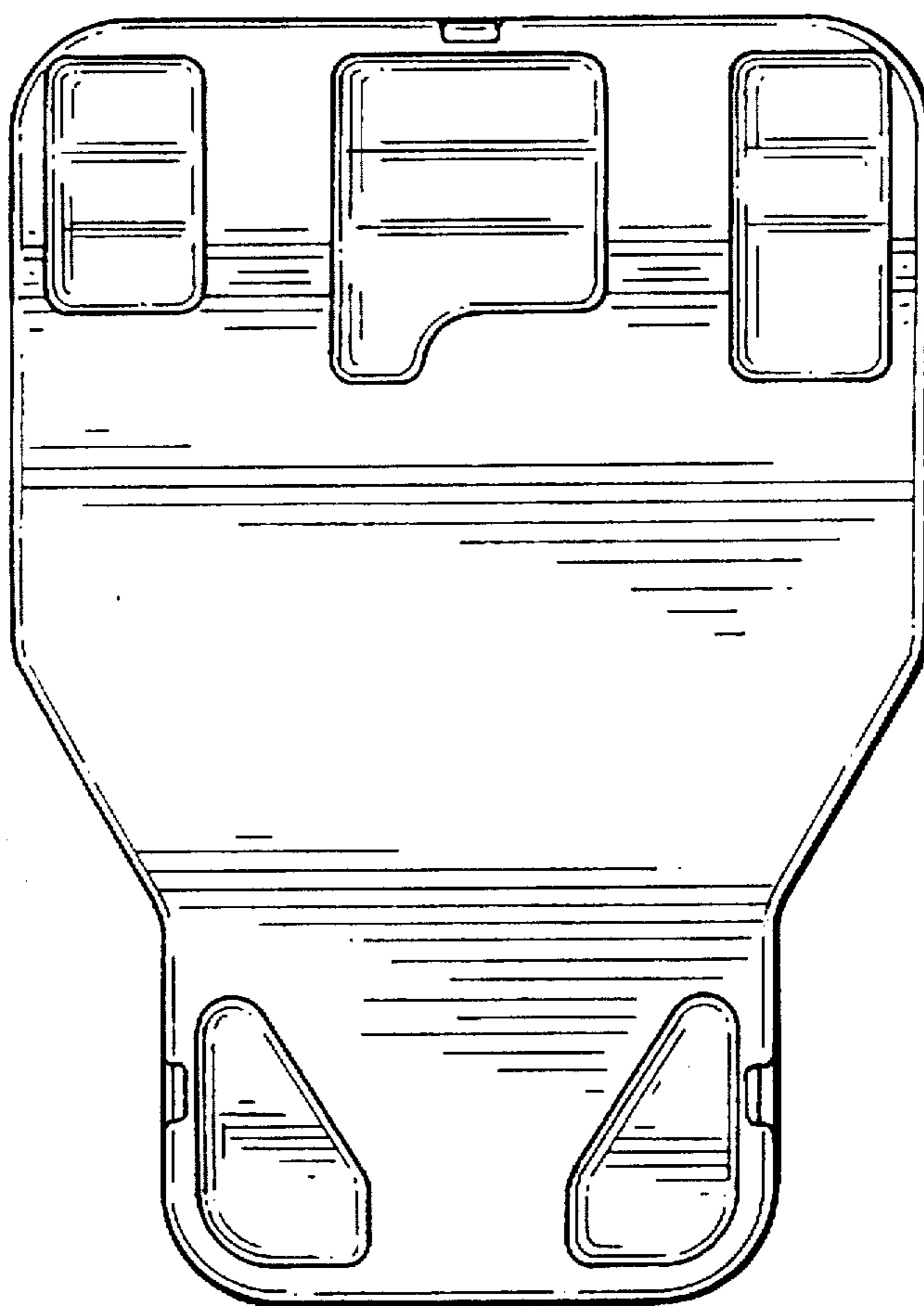


FIG. 14.