



US00D397690S

United States Patent [19]

Mercer et al.

[11] Patent Number: Des. 397,690

[45] Date of Patent: **Sep. 1, 1998

[54] **COMBINED HIGH SENSITIVITY ELECTRONIC AUDIO RECEIVER AND AMPLIFIER**

[75] Inventors: **Jeffrey L. Mercer**, Hendersonville; **Jerrell J. Duckworth**, Chattannoga, both of Tenn.

[73] Assignee: **Go Pro, Inc.**, Hendersonville, Tenn.

[**] Term: **14 Years**

[21] Appl. No.: **77,356**

[22] Filed: **Sep. 30, 1997**

[51] **LOC (6) Cl.** **14-03**

[52] **U.S. Cl.** **D14/188; D14/194**

[58] **Field of Search** **D14/160-168, D14/188, 191, 193-198, 204, 208, 299; 455/344, 347, 350, 351**

[56] References Cited

U.S. PATENT DOCUMENTS

D. 274,328	6/1984	Phelps	D14/204
D. 281,975	12/1985	Oyamada	D14/197
D. 288,440	2/1987	Sakamoto	D14/165
D. 300,539	4/1989	Kobayashi	D14/198
D. 310,669	9/1990	Sogabe	D14/188 X

Primary Examiner—Sandra L. Morris
Assistant Examiner—Nanda Bondade

Attorney, Agent, or Firm—Waddey & Patterson; Laura K. Thomas

[57] CLAIM

The ornamental design for a combined high sensitivity electronic audio receiver and amplifier, as shown and described.

DESCRIPTION

FIG. 1 is a front view of the combined high sensitivity electronic audio receiver and amplifier of the present invention;

FIG. 2 is a bottom view of the combined high sensitivity electronic audio receiver and amplifier of the present invention;

FIG. 3 is a back view of the combined high sensitivity electronic audio receiver and amplifier of the present invention;

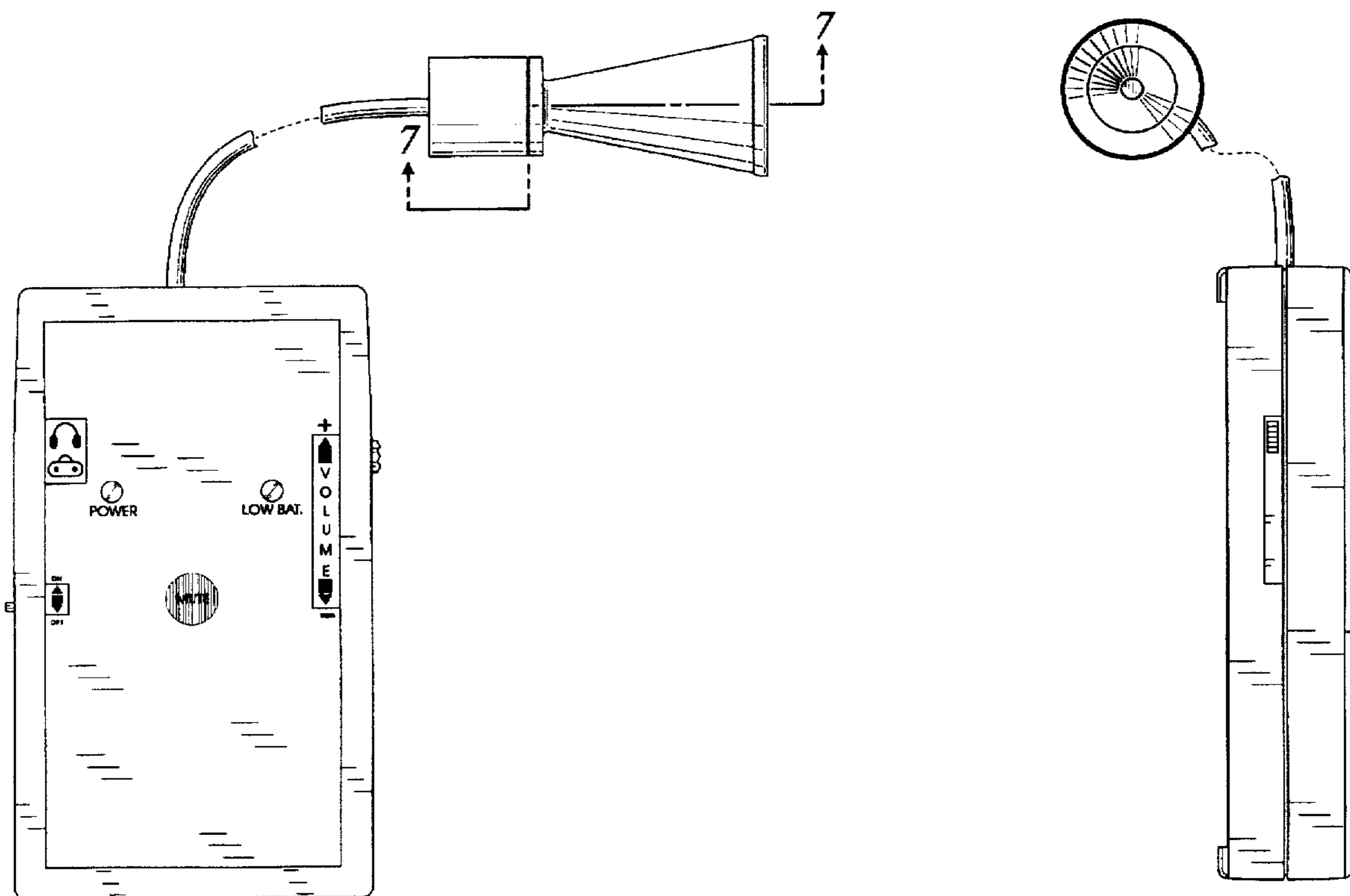
FIG. 4 is a top view of the combined high sensitivity electronic audio receiver and amplifier of the present invention;

FIG. 5 is a left side view of the combined high sensitivity electronic audio receiver and amplifier of the present invention;

FIG. 6 is a right side view of the combined high sensitivity electronic audio receiver and amplifier of the present invention; and,

FIG. 7 is a partial sectional view thereof, taken along the lines of 7—7 on FIG. 1.

1 Claim, 3 Drawing Sheets



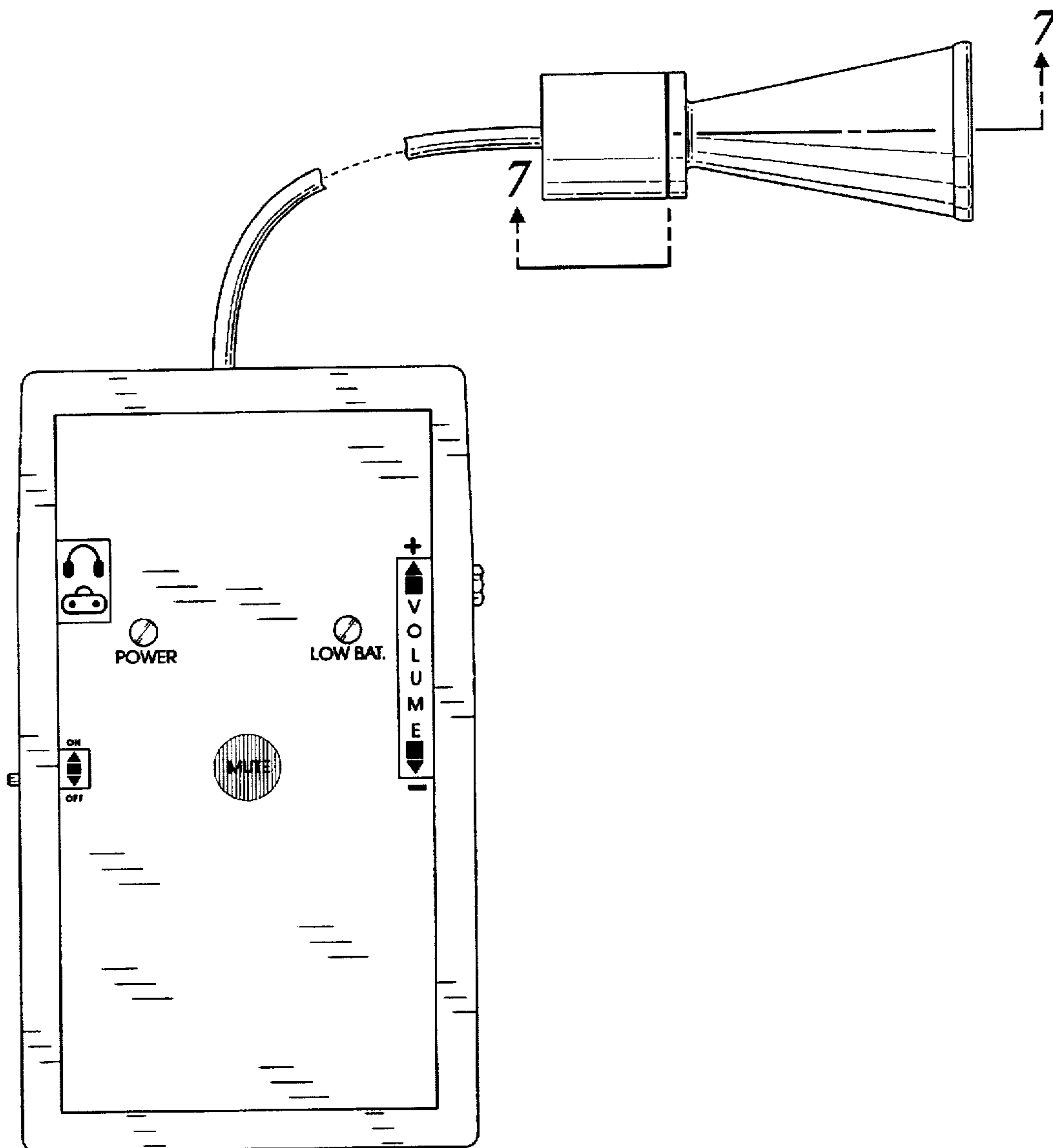


FIG. 1

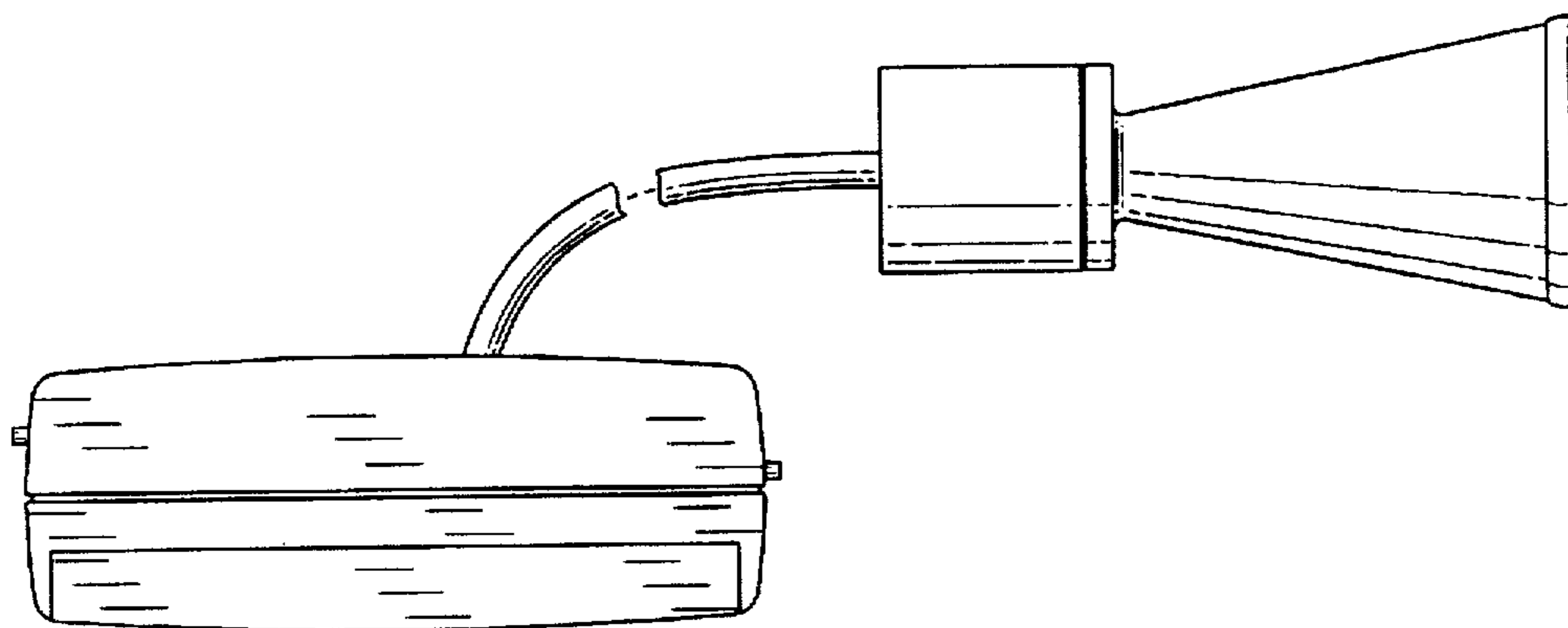


FIG. 2

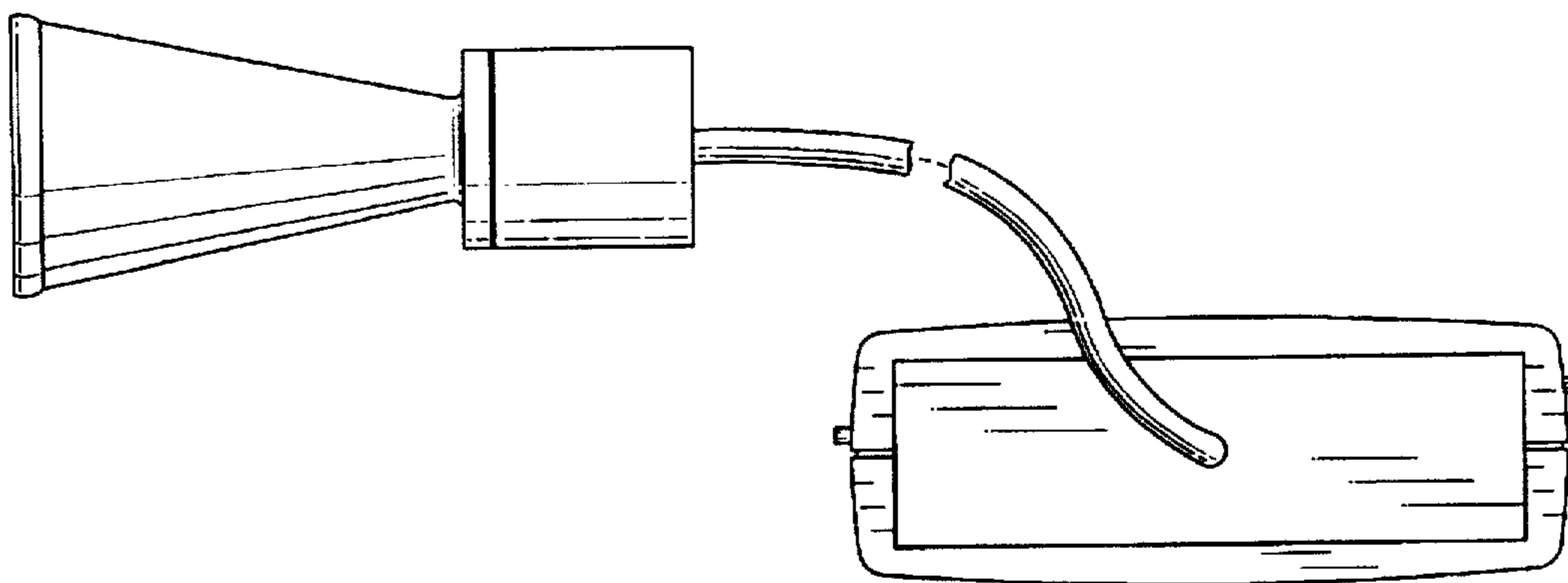


FIG. 4

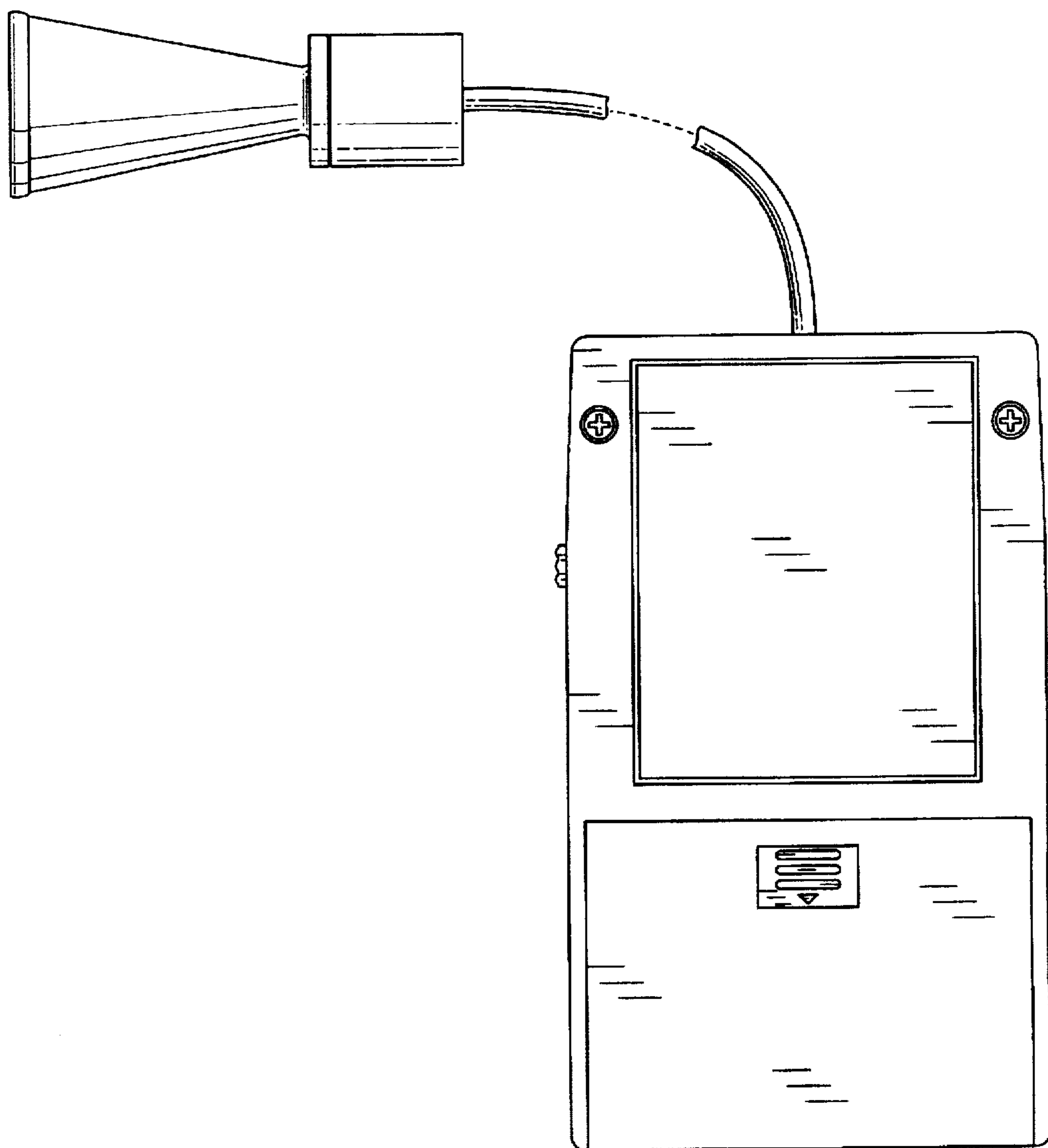


FIG. 3

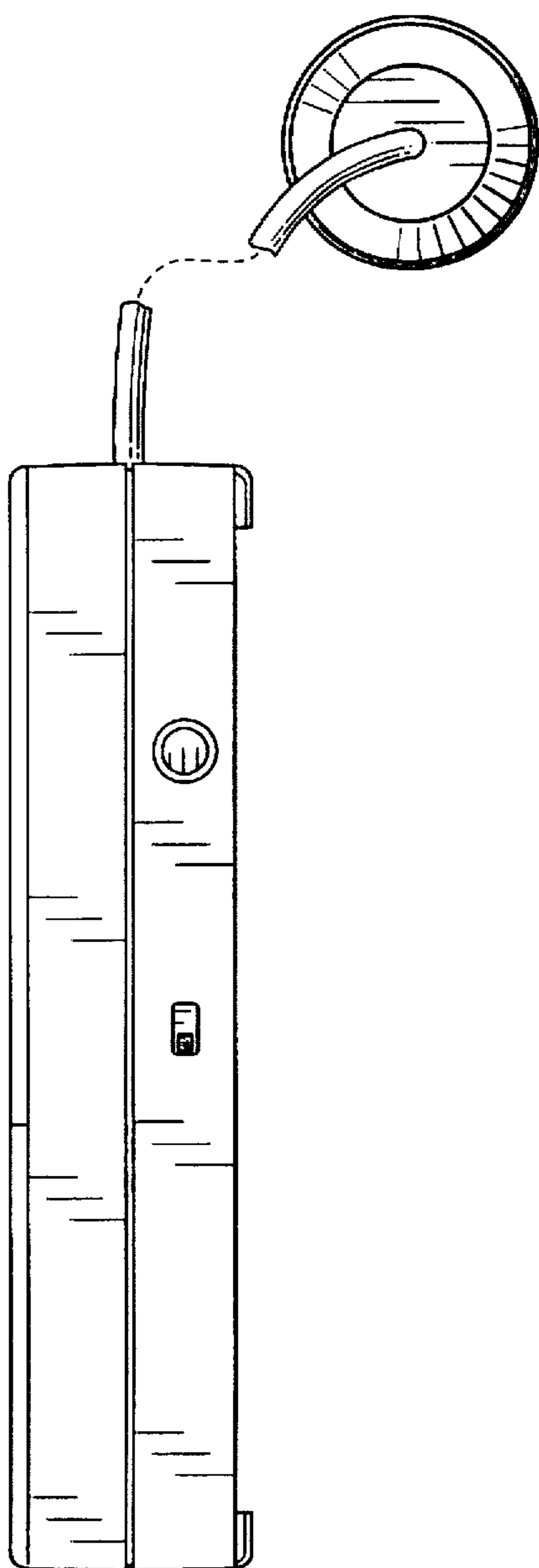


FIG. 5

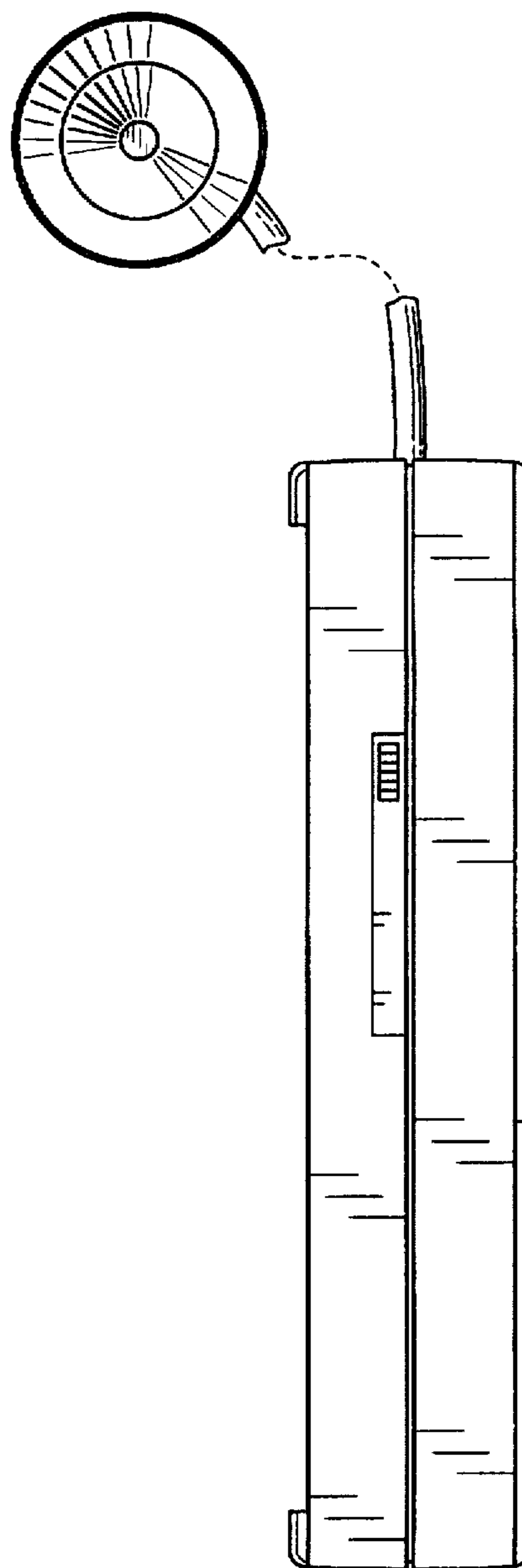


FIG. 6

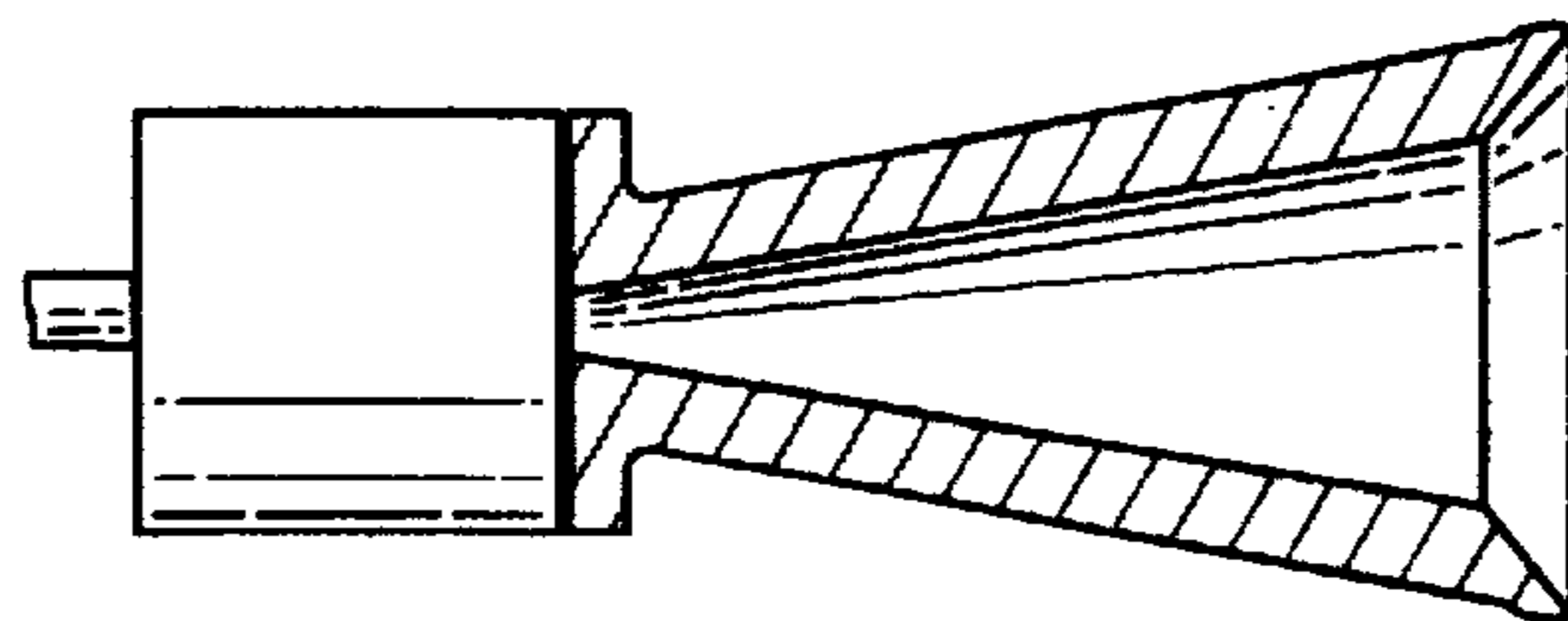


FIG. 7