



US00D397684S

**United States Patent** [19]  
**Kow**

[11] **Patent Number: Des. 397,684**

[45] **Date of Patent: \*\*Sep. 1, 1998**

[54] **SCANNER**

[75] **Inventor: David Kow, Hsin Chu, Taiwan**

[73] **Assignee: Spot Technology, Inc., HsinChu, Taiwan**

[\*\*] **Term: 14 Years**

[21] **Appl. No.: 72,155**

[22] **Filed: May 20, 1997**

[51] **LOC (6) Cl. .... 14-02**

[52] **U.S. Cl. .... D14/107**

[58] **Field of Search .... D14/100, 107, D14/114, 116; 358/490-1, 494, 496, 498, 474; 382/312-15; D18/36-7, 50, 54-5**

[56] **References Cited**

**U.S. PATENT DOCUMENTS**

- D. 339,157 9/1993 Miyamoto et al. .... D18/50
- D. 339,158 9/1993 Sato ..... D18/50

- D. 340,039 10/1993 Tashiro et al. .... D14/107
- D. 340,065 10/1993 Fukuda ..... D18/50
- D. 357,907 5/1995 Kosako et al. .... D14/107
- D. 366,467 1/1996 Misujima et al. .... D14/107
- D. 375,487 11/1996 Tashiro et al. .... D14/107

*Primary Examiner*—M. H. Tung

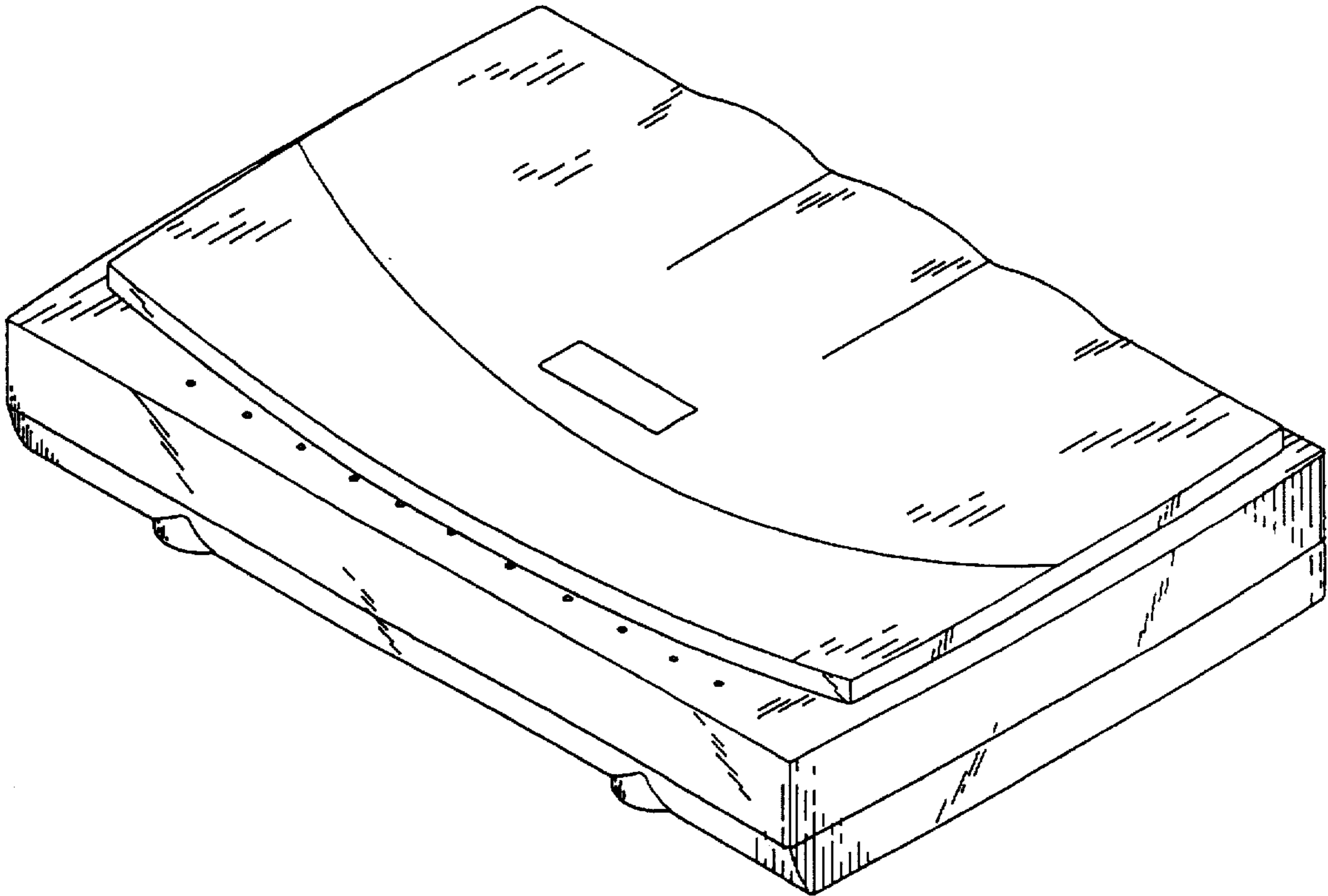
[57] **CLAIM**

The ornamental design for a scanner, as shown.

**DESCRIPTION**

FIG. 1 is a top perspective view of a scanner showing my design;  
 FIG. 2 is a front elevational view thereof;  
 FIG. 3 is a rear elevational view thereof;  
 FIG. 4 is a left elevational view thereof;  
 FIG. 5 is a right view thereof;  
 FIG. 6 is a top view thereof; and,  
 FIG. 7 is a bottom view thereof.

**1 Claim, 7 Drawing Sheets**



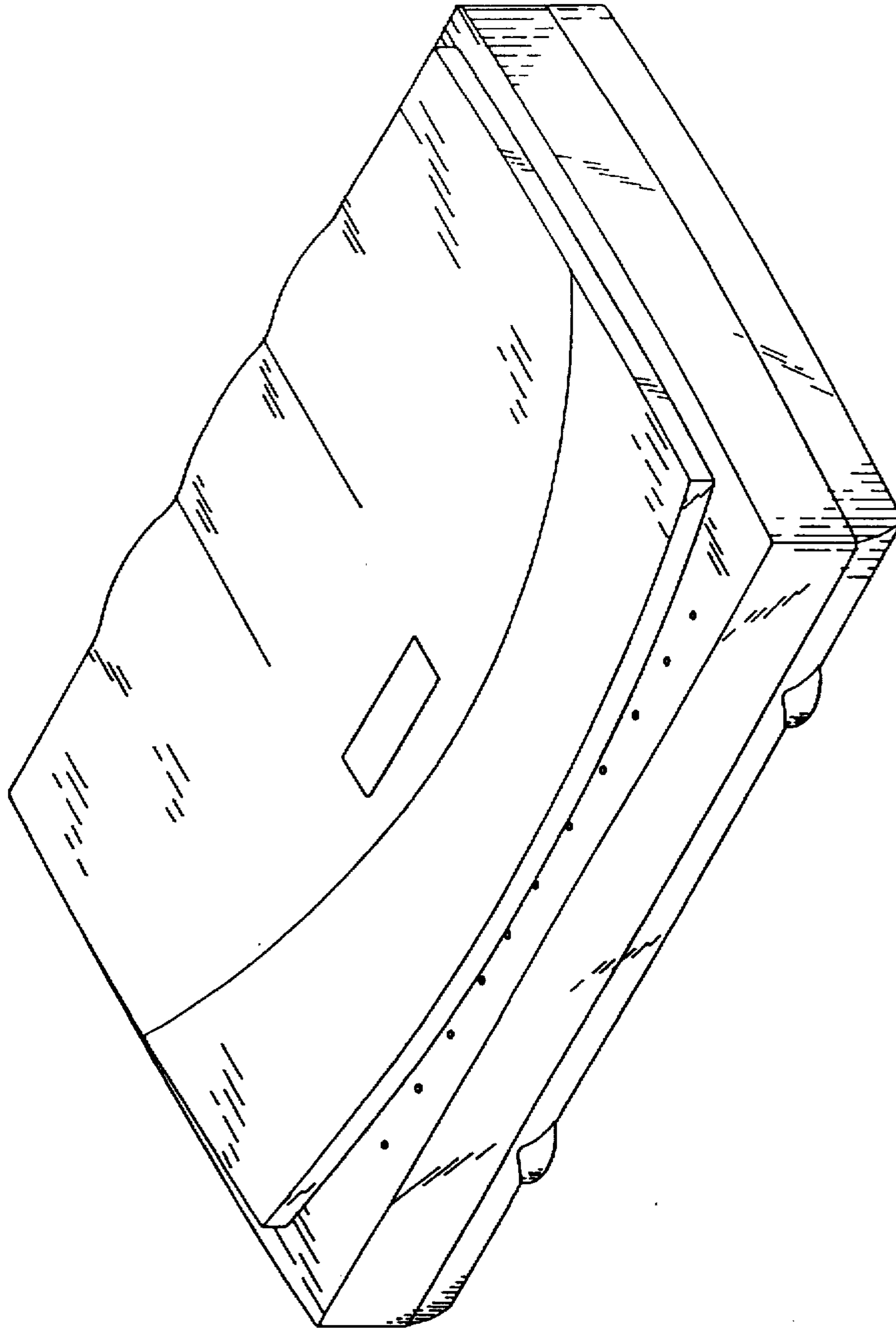


FIG. 1

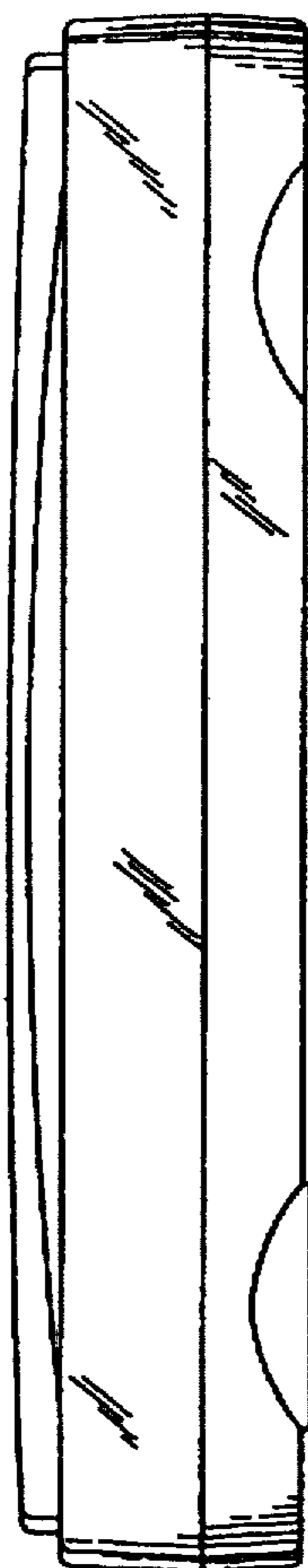


FIG. 2

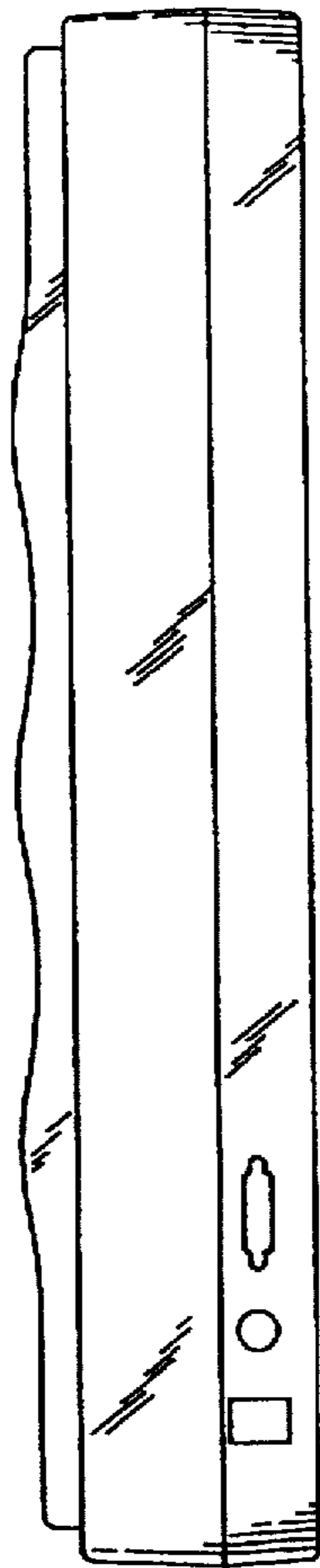


FIG. 3

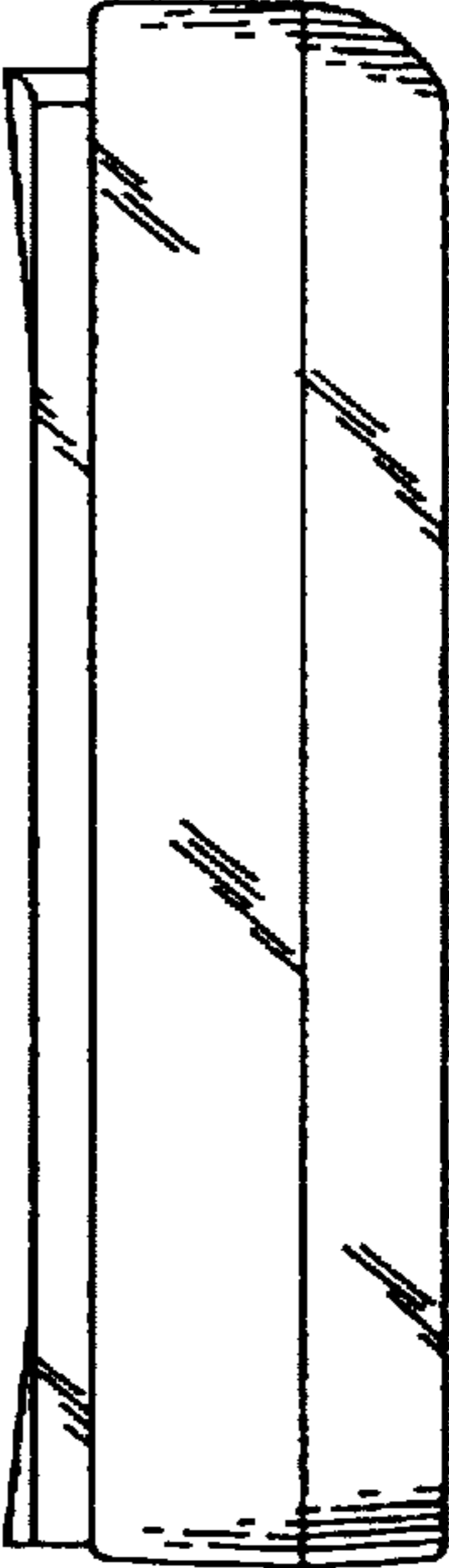


FIG. 4

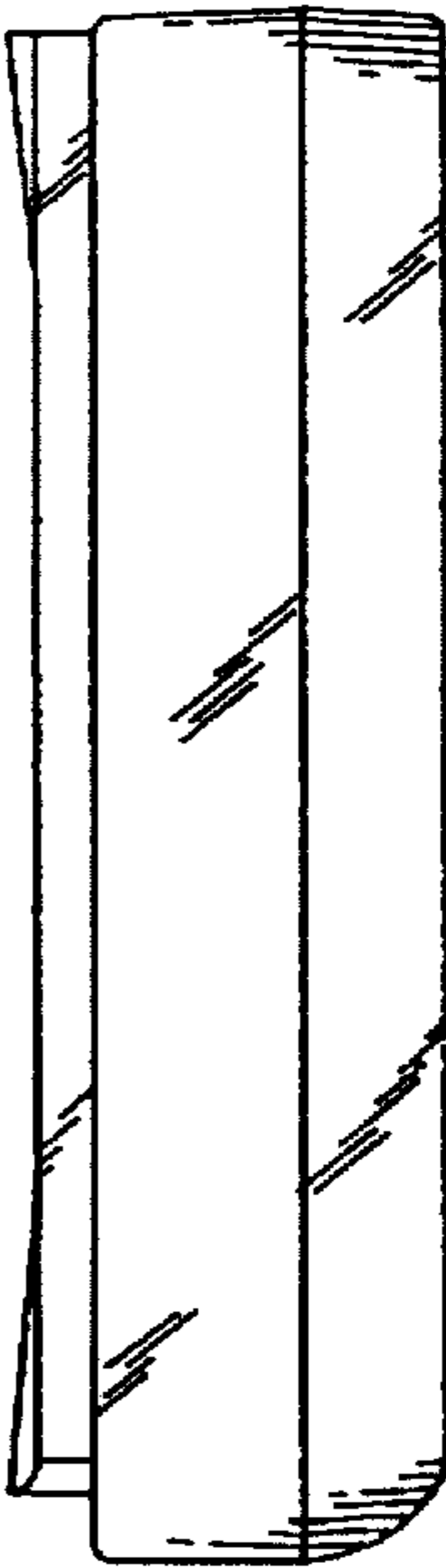


FIG. 5

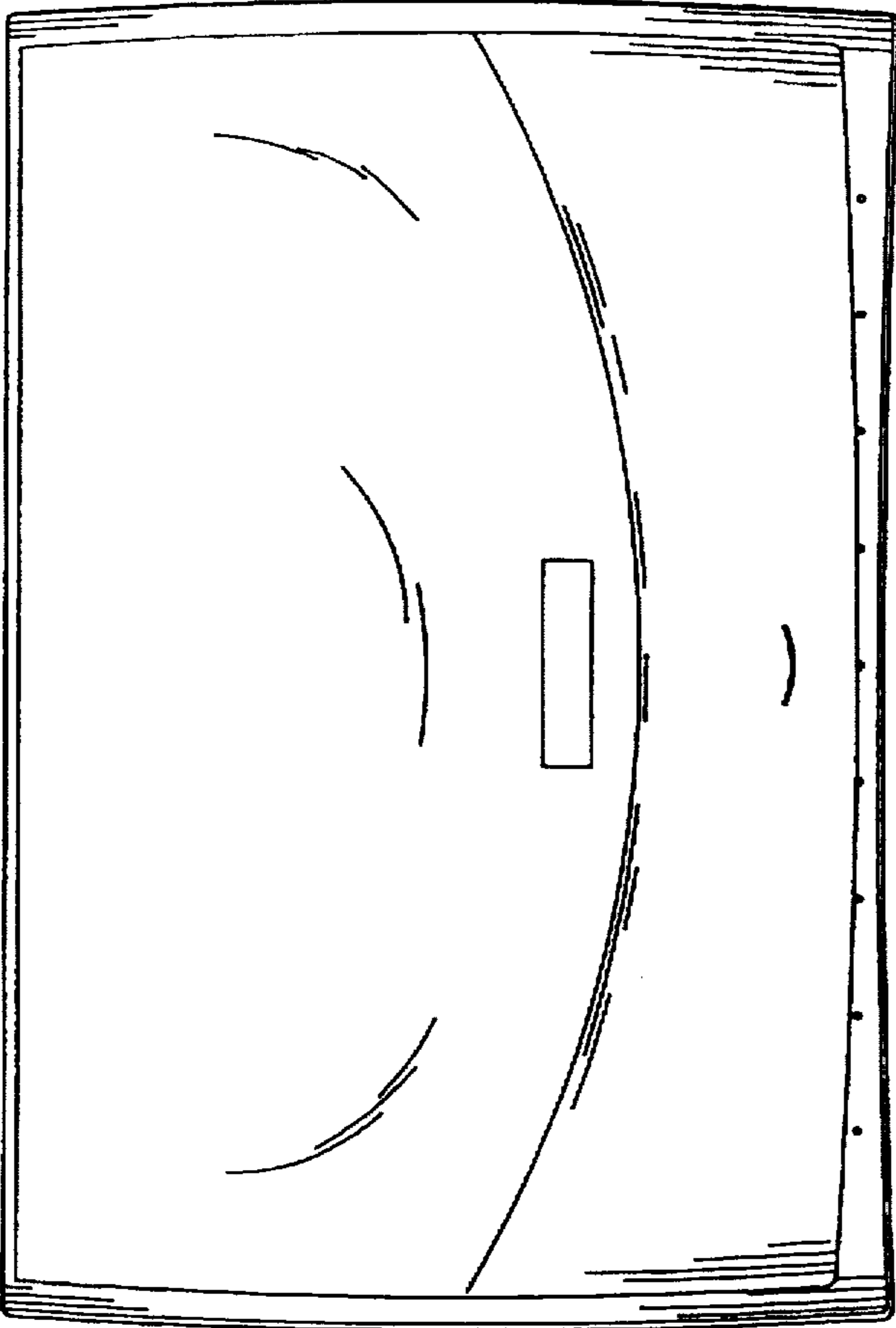


FIG. 6

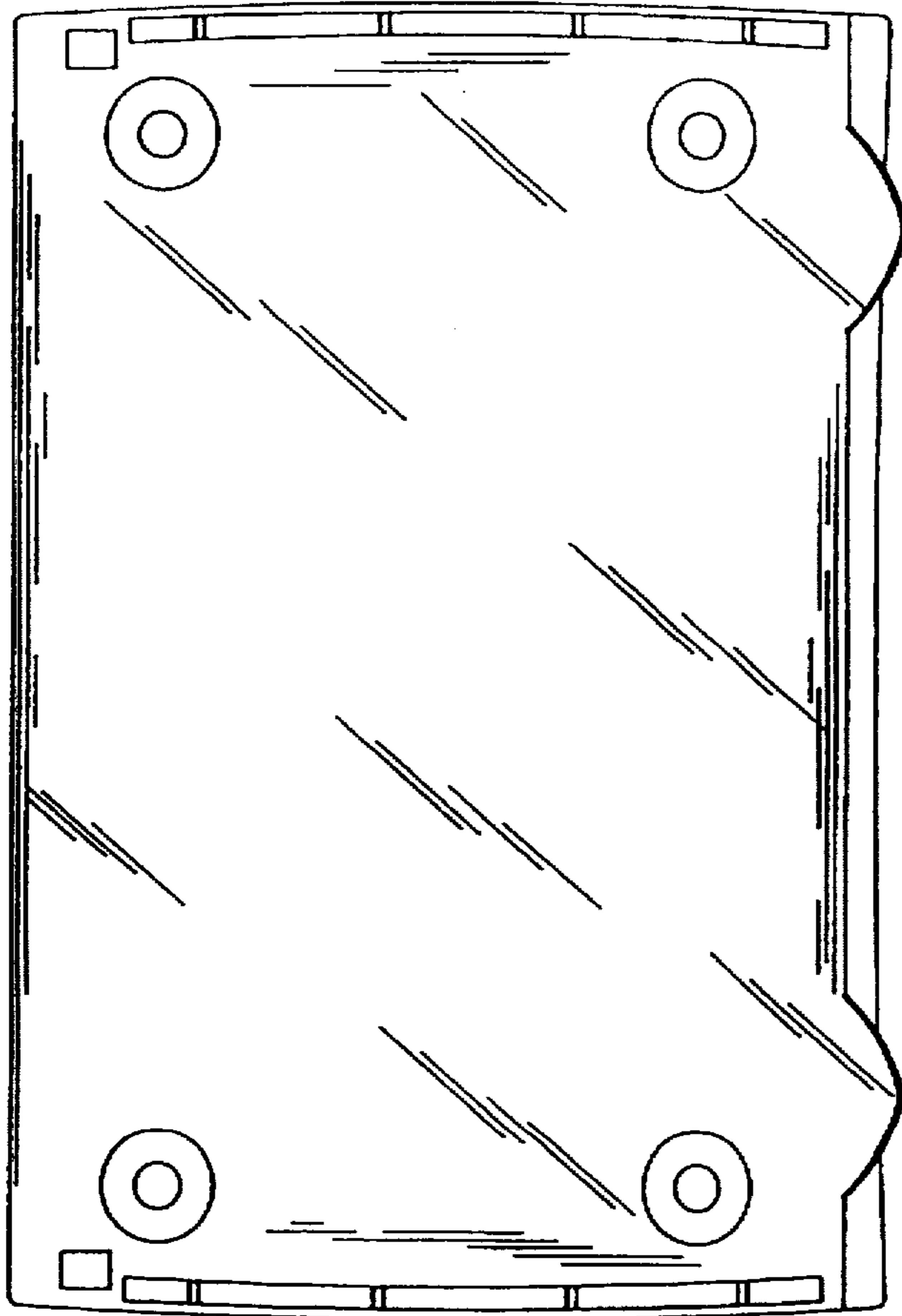


FIG. 7