



US00D397683S

United States Patent [19]

Sakamoto et al.

[11] Patent Number: Des. 397,683

[45] Date of Patent: **Sep. 1, 1998

[54] **SENSOR PLATE FOR A FINGERPRINT IDENTIFYING MACHINE**

[75] Inventors: **Mitsuo Sakamoto; Takeshi Tsuji**, both of Tokyo, Japan

[73] Assignee: **Sony Corporation**, Tokyo, Japan

[**] Term: **14 Years**

[21] Appl. No.: **68,366**

[22] Filed: **Apr. 8, 1997**

Related U.S. Application Data

[63] Continuation-in-part of Ser. No. 52,148, Mar. 25, 1996, Pat. No. Des. 382,862.

[51] **LOC (6) Cl.** **14-02**

[52] **U.S. Cl.** **D14/107**

[58] **Field of Search** D14/105, 107, D14/114; 356/71; 382/124, 126, 116, 181, 312; 283/68-70, 72, 74, 75, 78; 235/380, 382, 382.5; 118/31.5

[56] References Cited

U.S. PATENT DOCUMENTS

- D. 308,863 6/1990 Soren et al. D14/107
- D. 351,144 10/1994 Fishbine et al. D14/100 X
- D. 367,270 2/1996 Levering D14/107

- D. 382,862 8/1997 Nakayama et al. D14/107
- 5,193,855 3/1993 Shamos 283/68 X

Primary Examiner—Freda Nunn
Attorney, Agent, or Firm—Foley & Lardner

[57] CLAIM

The ornamental design for a sensor plate for a fingerprint identifying machine, as shown and described.

DESCRIPTION

FIG. 1 is a perspective view of a first embodiment of a sensor plate for a fingerprint identifying machine showing our new design;

FIG. 2 is a perspective view a second embodiment of a sensor plate for a fingerprint identifying machine showing our new design in the using condition inverted with respect to FIG. 1;

FIG. 3 is a top plan view thereof;

FIG. 4 is a left side elevational view thereof; the right side elevational view thereof being a mirror image;

FIG. 5 is a front elevational view thereof; and,

FIG. 6 is a perspective view of a third embodiment of a sensor plate for a fingerprint identifying machine showing our new design.

The base portion thereof shown in broken lines in FIGS. 1 through 6 and the hand portion shown in FIG. 2 are for illustrative purpose only and form no part of the claimed design.

1 Claim, 2 Drawing Sheets

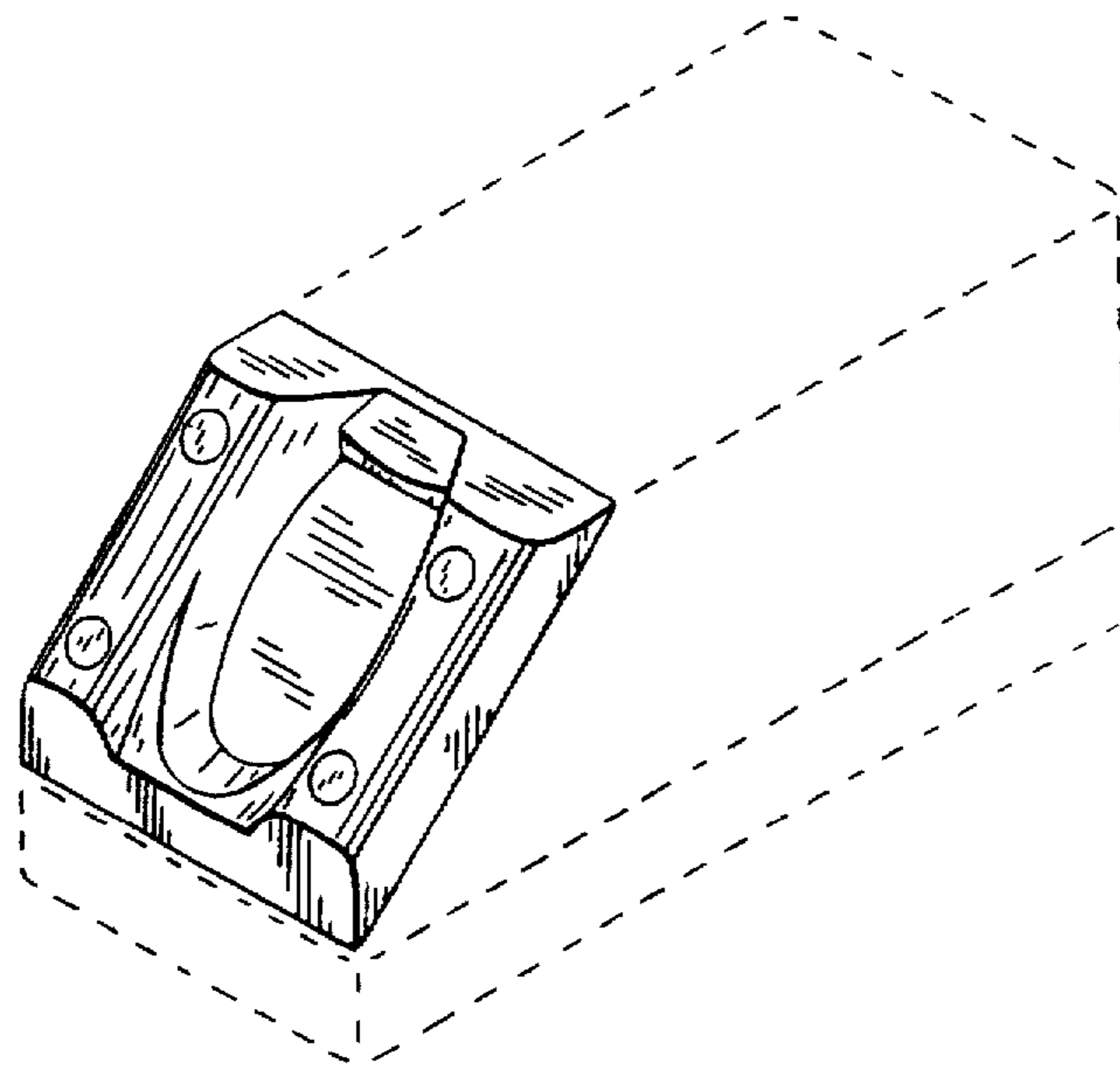


FIG. 1

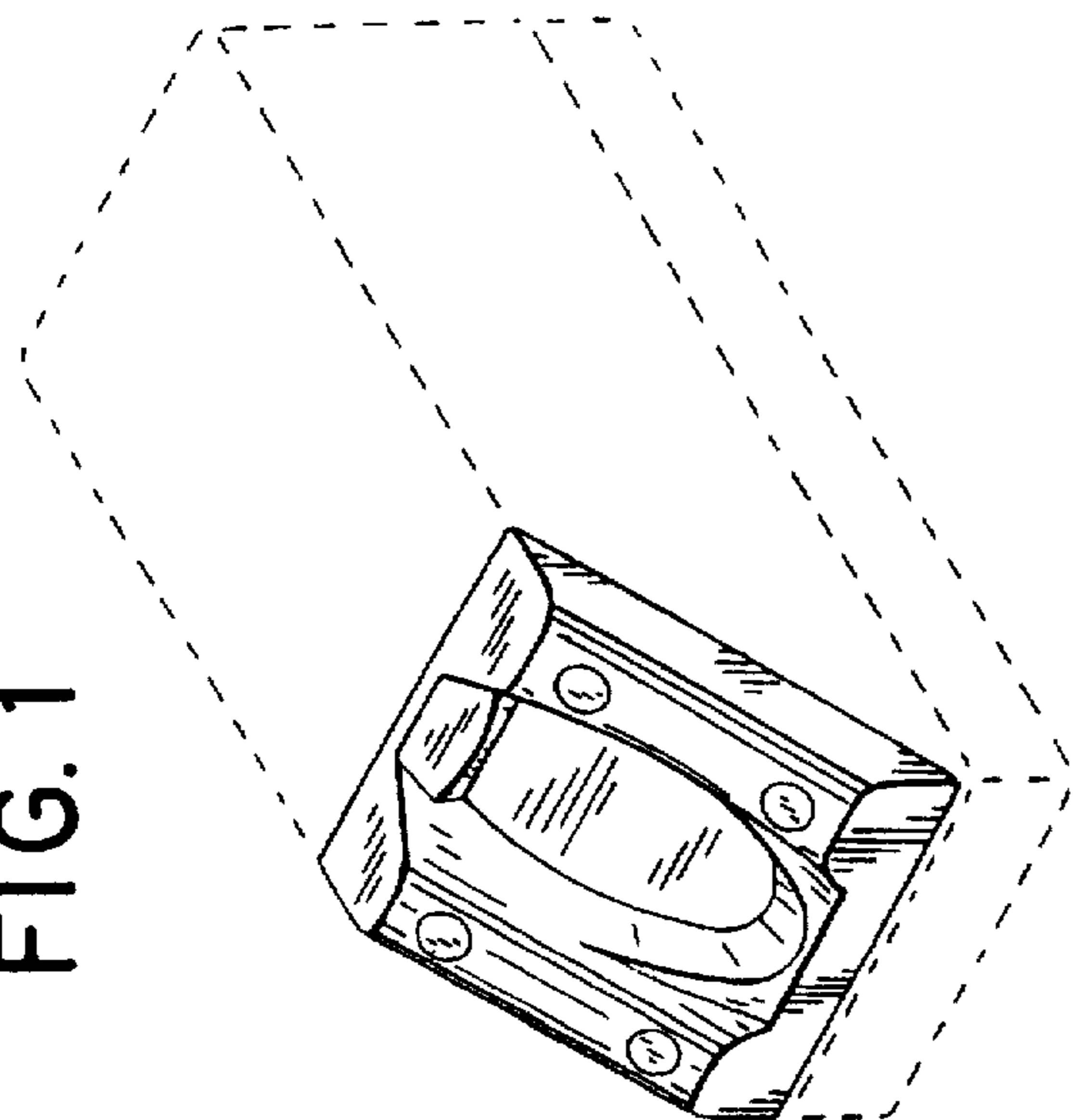


FIG. 2

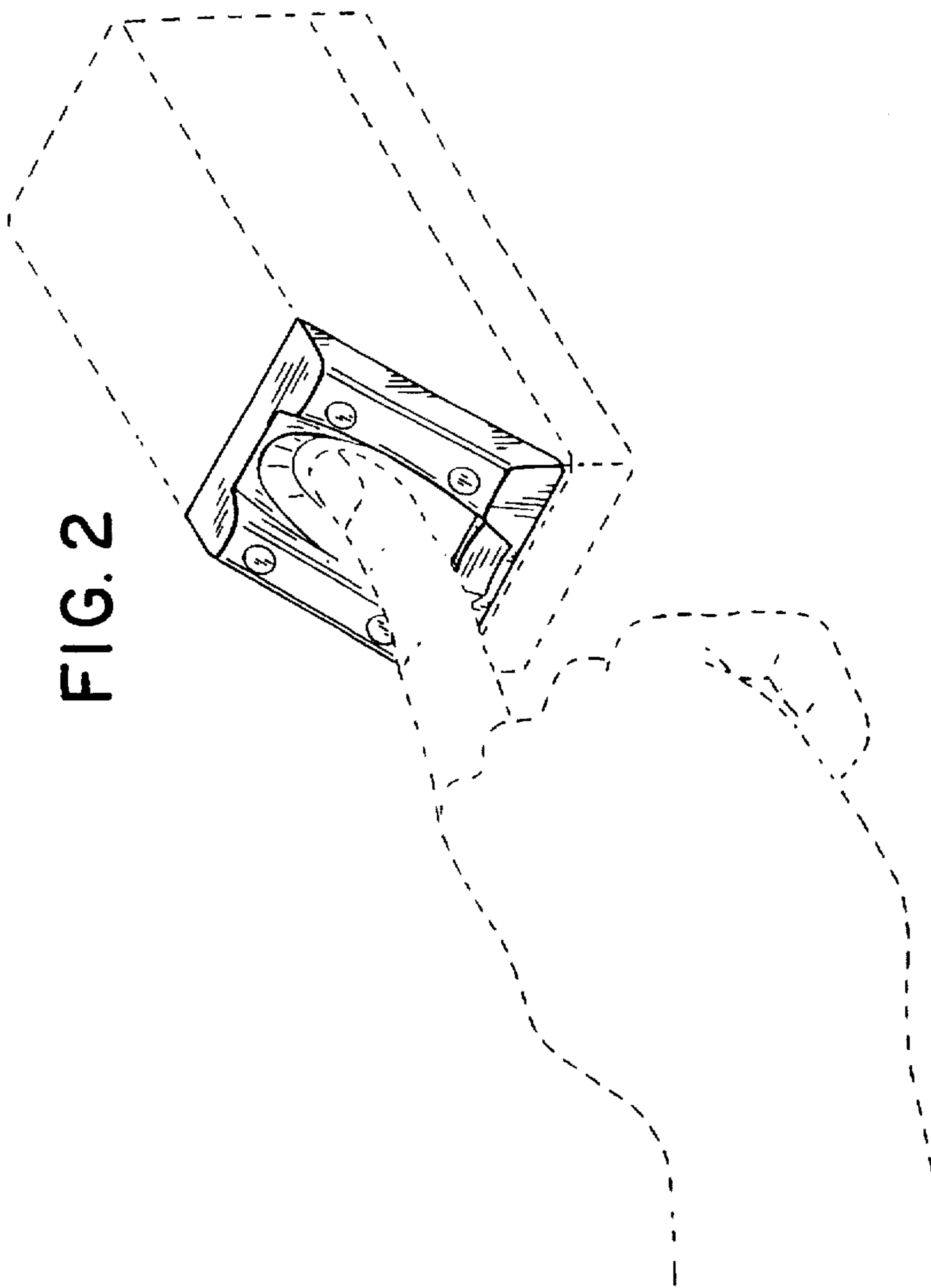


FIG. 3

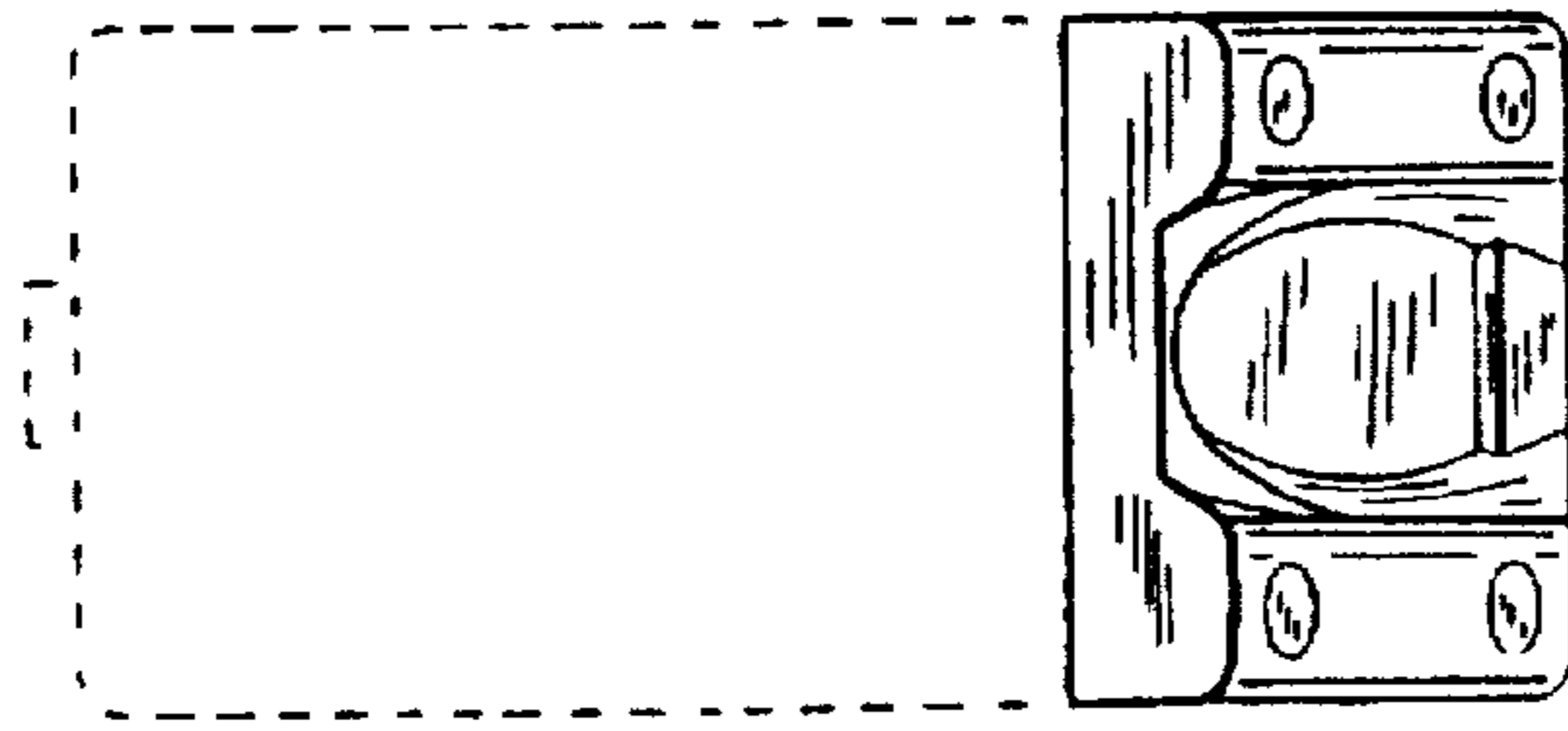


FIG. 5

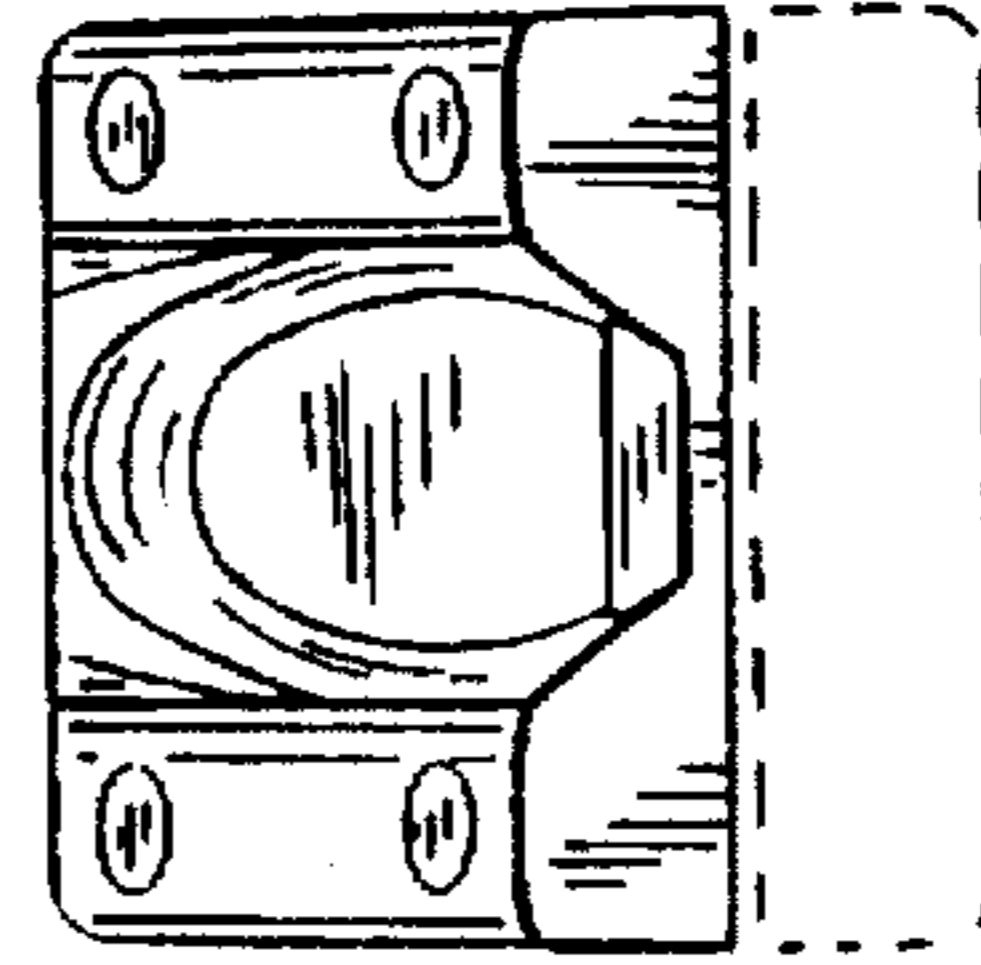


FIG. 4

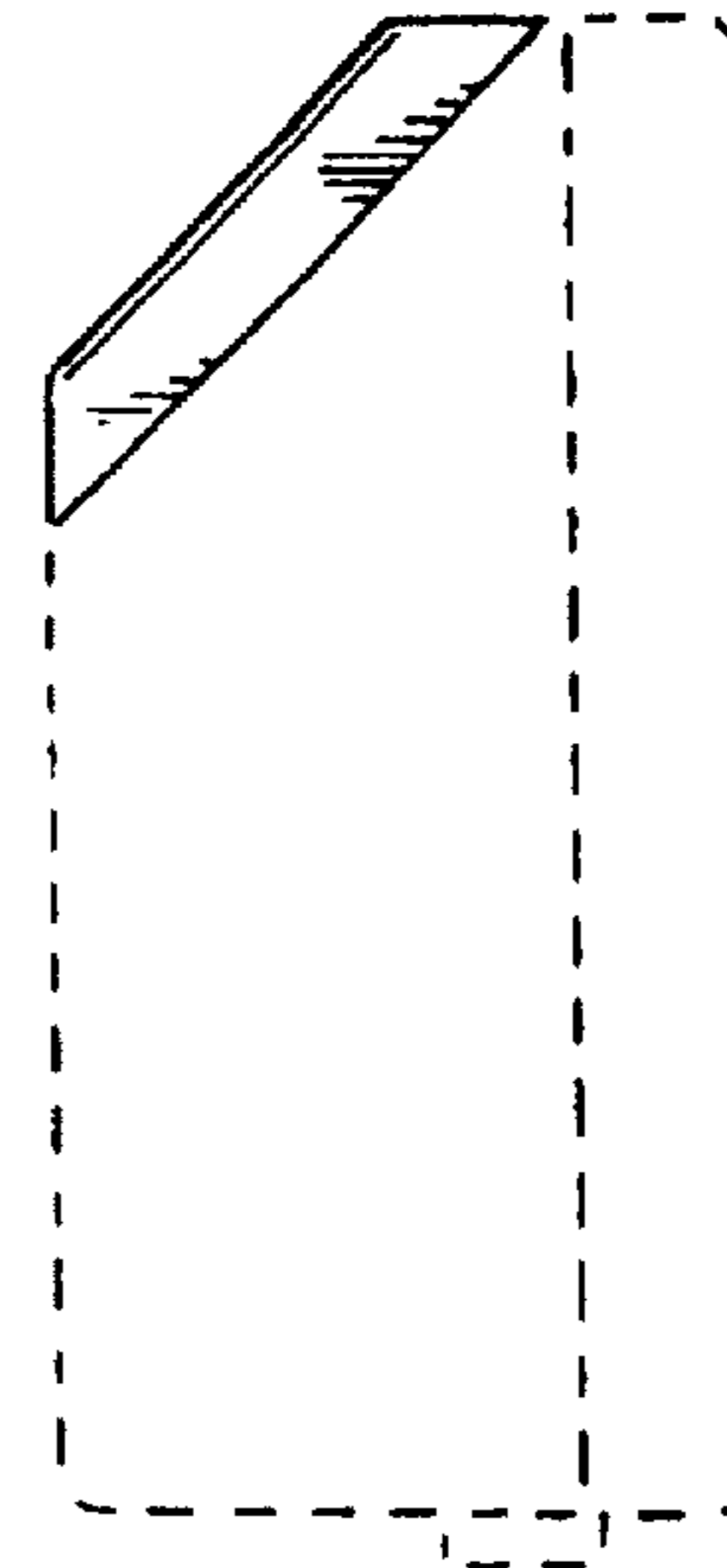


FIG. 6

