



US00D397677S

United States Patent [19]

Brawne et al.

[11] Patent Number: **Des. 397,677**

[45] Date of Patent: *****Sep. 1, 1998**

[54] MEMORY DEVICE

[75] Inventors: **Nichols Brawne**, Columbus, Ohio;
George Meyer, Ogden; **Michael D. Johnson**, Kaysville, both of Utah

[73] Assignee: **Iomega Corporation**, Roy, Utah

[*] Notice: The portion of the term of this patent subsequent to Jan. 27, 2012, has been disclaimed.

[**] Term: **14 Years**

[21] Appl. No.: **49,696**

[22] Filed: **Jan. 29, 1996**

[51] LOC (6) Cl. **14-02**

[52] U.S. Cl. **D14/107; D14/100**

[58] Field of Search D14/100, 106,
D14/107, 109; D13/162, 184, 199; 361/679-686;
364/708.1, 709.04, 709.12

[56] References Cited

U.S. PATENT DOCUMENTS

D. 306,432	3/1990	Kato et al.	D14/100
D. 313,011	12/1990	Searle et al.	D14/100
D. 318,466	7/1991	Grundstrom et al.	D14/107
D. 332,445	1/1993	Lin	D14/109
D. 334,917	4/1993	Miyamoto	D14/108
D. 337,997	8/1993	Brunner et al.	D14/109
D. 346,593	5/1994	Mizusugi et al.	D14/109
D. 352,702	11/1994	Austin	D14/108
D. 354,500	1/1995	Georgopoulos	D14/242
D. 356,784	3/1995	Hill et al.	D14/108
D. 358,138	5/1995	Koyanagi et al.	D14/109
D. 359,852	7/1995	Wicks	D14/109
D. 360,197	7/1995	Ikenaga	D14/107
D. 365,338	12/1995	Kabasawa et al.	D14/109

D. 365,808	1/1996	Alden et al.	D14/107
D. 366,470	1/1996	Youens et al.	D14/107
D. 368,468	4/1996	Kobayashi	D14/100
4,051,735	10/1977	Brawne et al.	74/25
4,504,879	3/1985	Toldi et al.	360/105
4,571,646	2/1986	Bauck et al.	360/99
4,663,677	5/1987	Griffith et al.	360/71
4,722,012	1/1988	Toldi et al.	360/97
4,740,851	4/1988	Jones et al.	360/97
5,140,478	8/1992	Yoshida	360/97.01
5,182,698	1/1993	Kobayashi et al.	361/395
5,204,793	4/1993	Plonczak	360/97.01
5,363,273	11/1994	Ma	361/686
5,422,775	6/1995	Martin	360/133

FOREIGN PATENT DOCUMENTS

WO 93/18507 9/1993 WIPO .

Primary Examiner—Freda Nunn

Attorney, Agent, or Firm—Woodcock Washburn Kurtz
Mackiewicz & Norris LLP

[57] CLAIM

The ornamental design for a memory device, as shown and described.

DESCRIPTION

FIG. 1 is a perspective view of a memory device incorporating our new design;

FIG. 2 is a front elevational view;

FIG. 3 is a rear elevational view;

FIG. 4 is a first side elevational view;

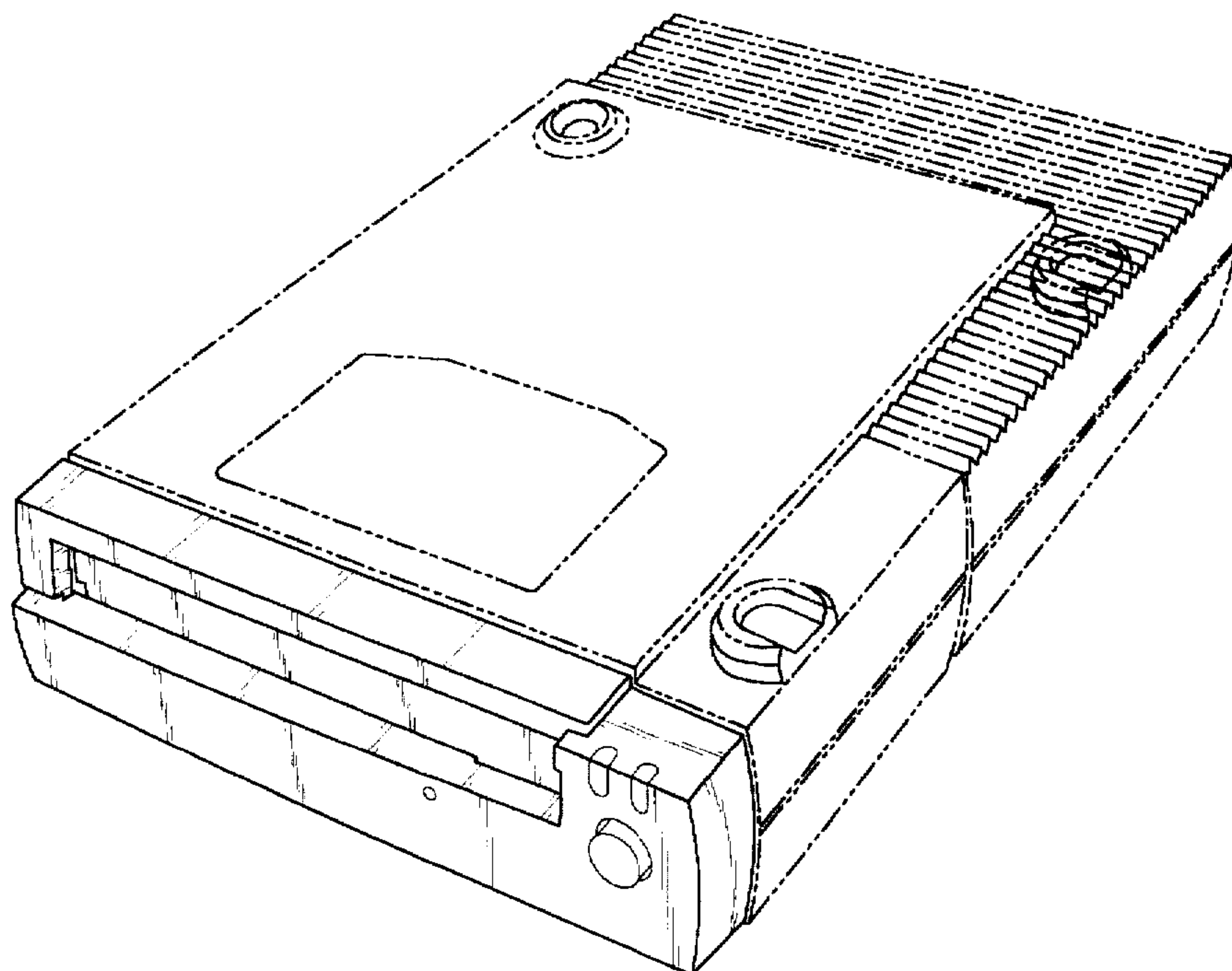
FIG. 5 is a second side elevational view;

FIG. 6 is a top plan view; and,

FIG. 7 is a bottom plan view.

The broken lines are shown in the views for illustrative purposes only and form no part of the claimed design.

1 Claim, 5 Drawing Sheets



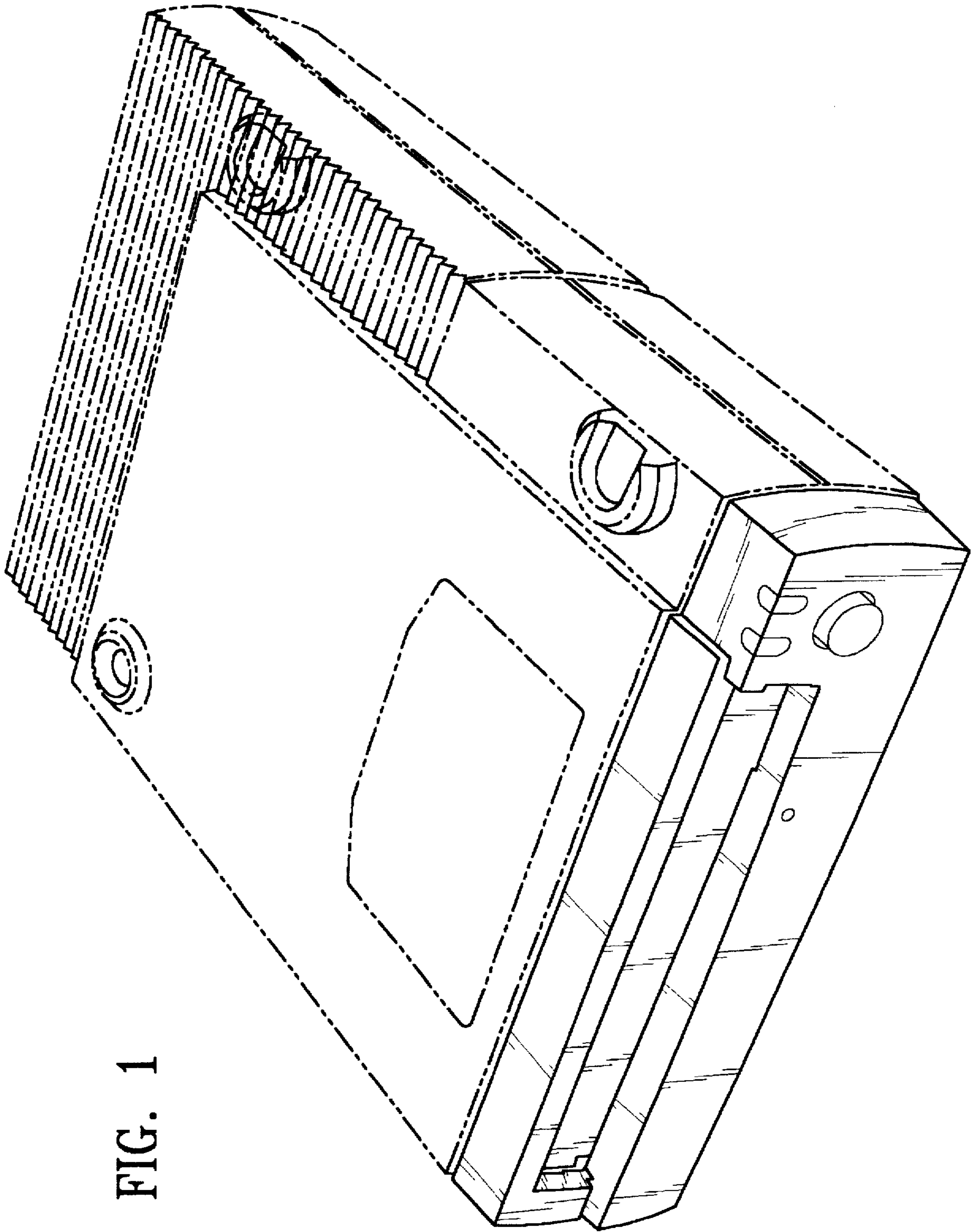


FIG. 1

FIG. 2

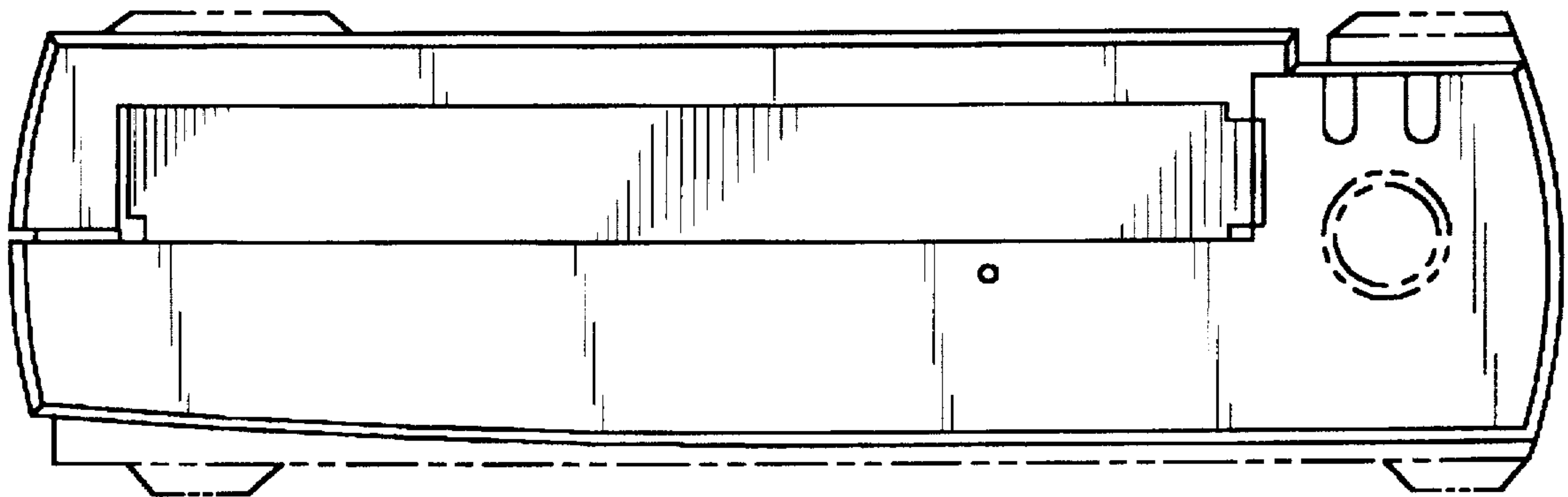


FIG. 3

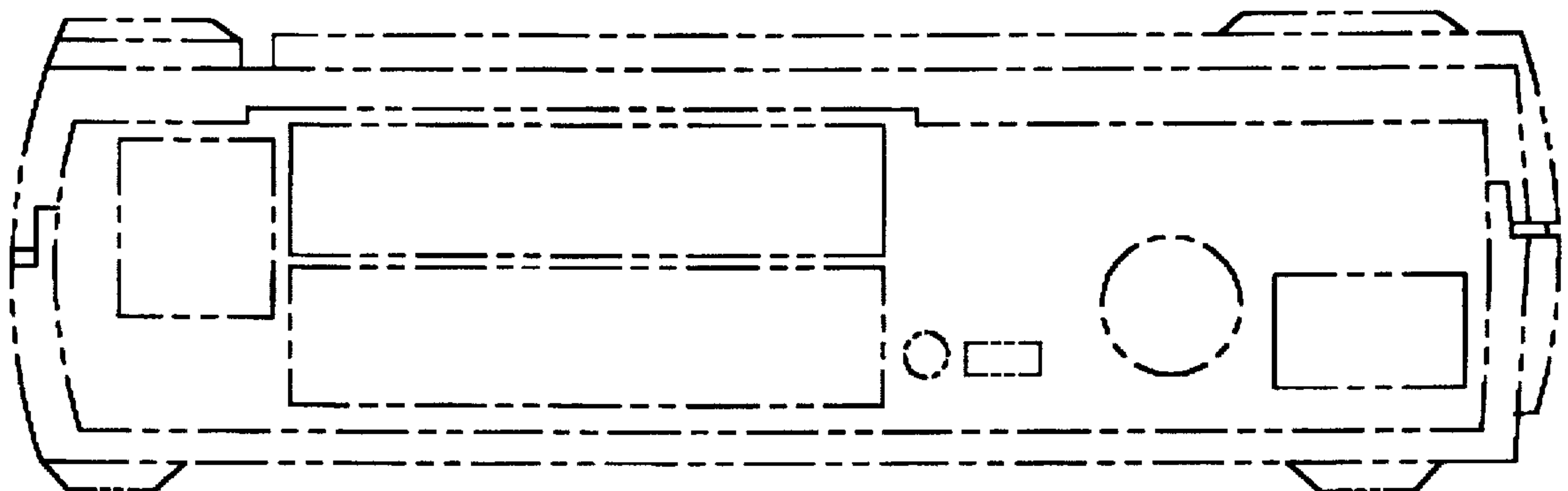


FIG. 4

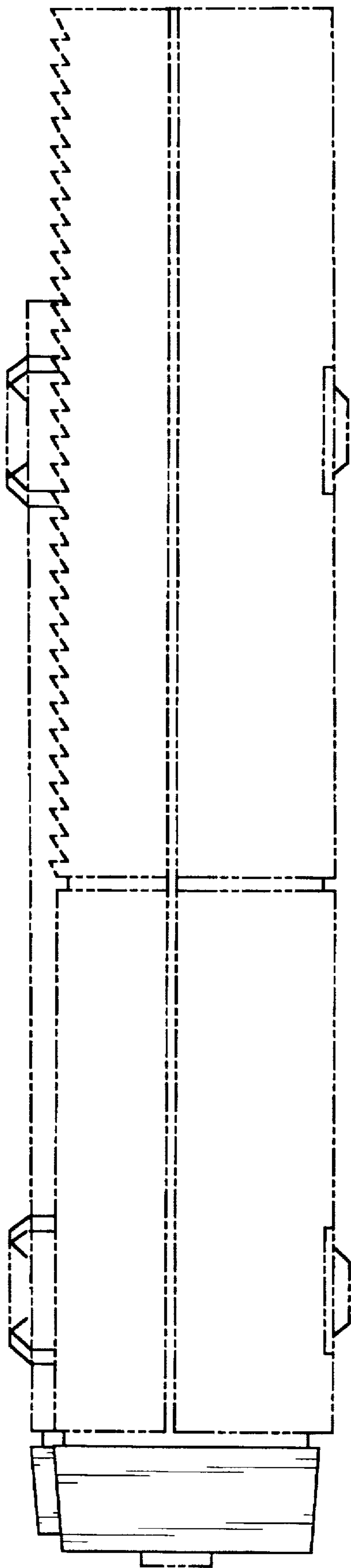


FIG. 5

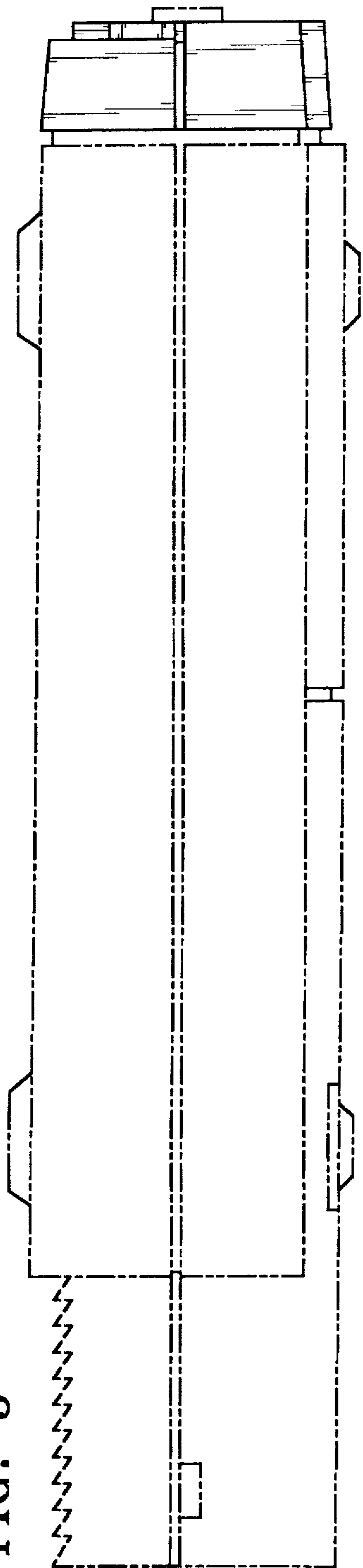


FIG. 6

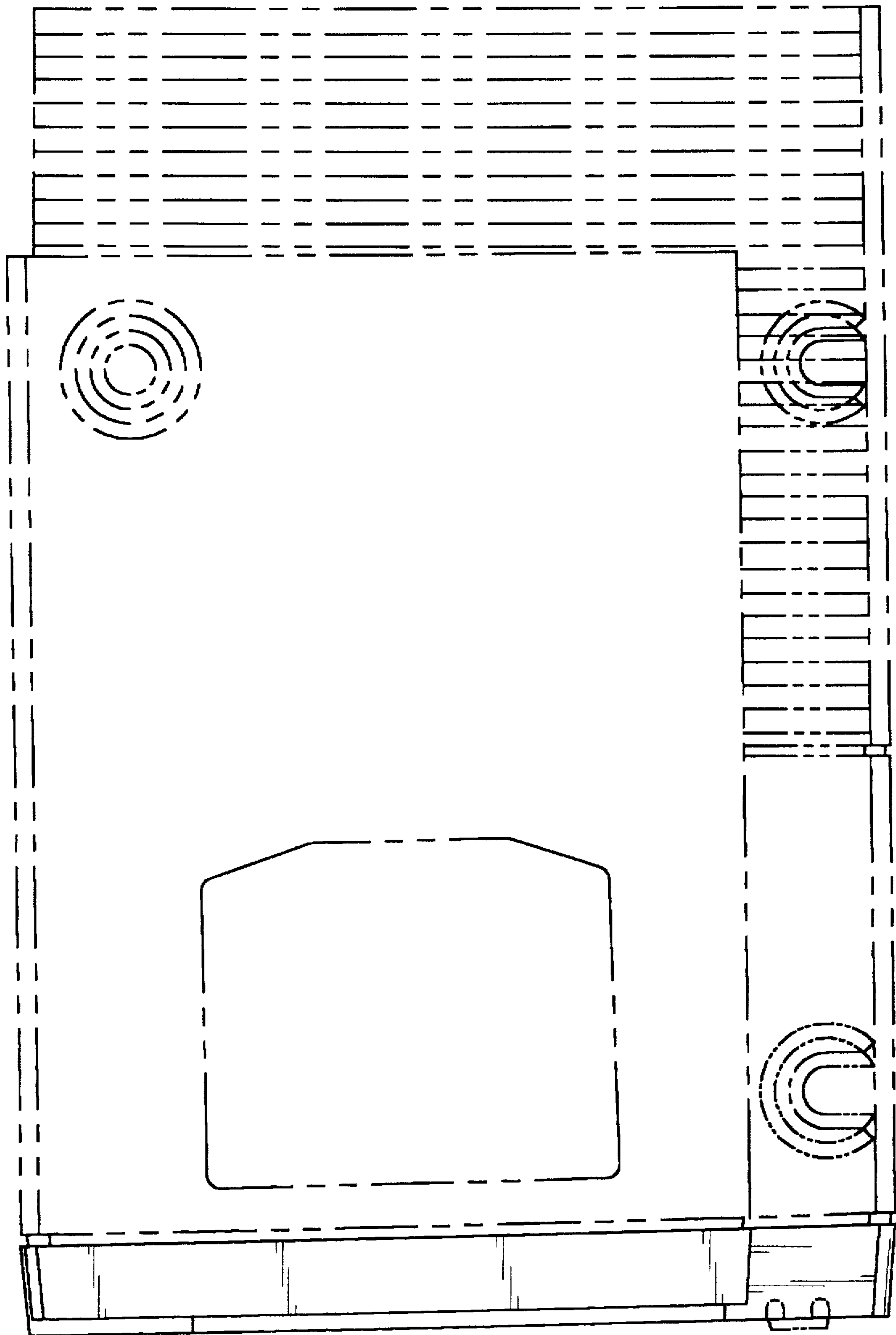


FIG. 7

