



US00D397675S

United States Patent [19]
Brunner

[11] **Patent Number:** **Des. 397,675**
[45] **Date of Patent:** ****Sep. 1, 1998**

[54] **BASE FOR COMPUTER HOUSING**

[75] **Inventor:** **Robert Brunner**, Los Gatos, Calif.

[73] **Assignee:** **Toshiba America Information Systems, Inc.**, Irvine, Calif.

[**] **Term:** **14 Years**

[21] **Appl. No.:** **58,873**

[22] **Filed:** **Aug. 27, 1996**

[51] **LOC (6) Cl.** **14-02**

[52] **U.S. Cl.** **D14/114**

[58] **Field of Search** D14/100, 102,
D14/107-109, 114; D13/162, 184, 199;
D6/432, 436, 445, 448; 312/208.1, 223.2,
223.3, 254, 292; 360/99.12; 361/690-695;
248/917-924

[56] **References Cited**

U.S. PATENT DOCUMENTS

- D. 349,696 8/1994 Hames D14/114
- D. 370,467 6/1996 Barthelemy et al. D14/102

Primary Examiner—Freda Nunn
Attorney, Agent, or Firm—Limbach & Limbach L.L.P.

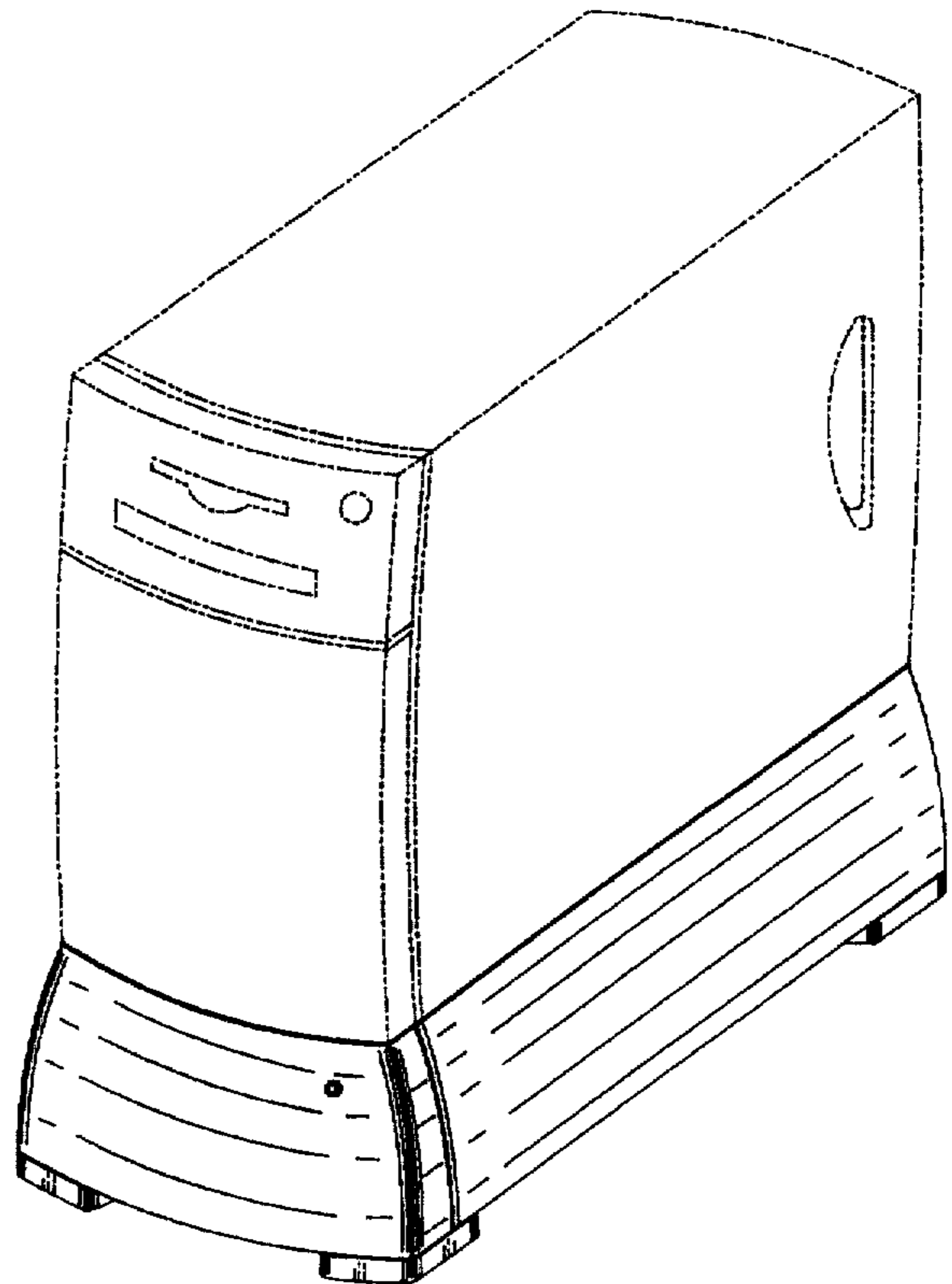
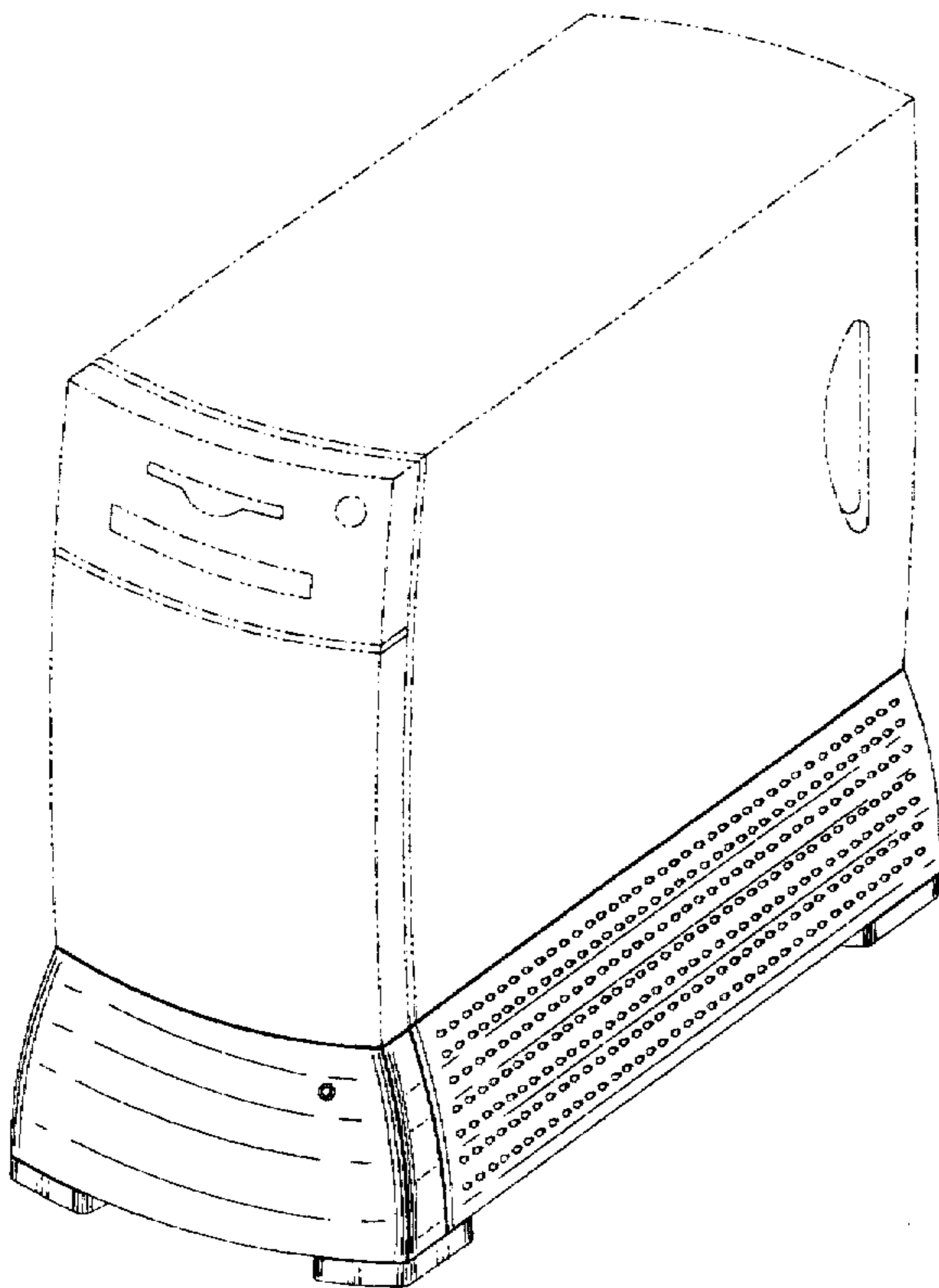
[57] **CLAIM**

The ornamental design for a base for computer housing, as shown and described.

DESCRIPTION

FIG. 1 is a front, top, perspective view of a first embodiment of a base for computer housing showing the new design; FIG. 2 is a front view of the first embodiment; FIG. 3 is a right side view of the first embodiment of which the left side view is symmetrical thereto; FIG. 4 is a top view of the first embodiment; FIG. 5 is a rear view of the first embodiment; FIG. 6 is a bottom view of the first embodiment; FIG. 7 is a front, top perspective view of the second embodiment of a base for computer housing showing the design; FIG. 8 is a right side view of the second embodiment of which the left side view is symmetrical thereto; and, FIG. 9 is a top view of the second embodiment. The undisclosed rear and bottom views of the second embodiment are identical to those of the first. The computer housing is shown in broken lines for illustrative purposes only and forms no part of the claimed design.

1 Claim, 5 Drawing Sheets



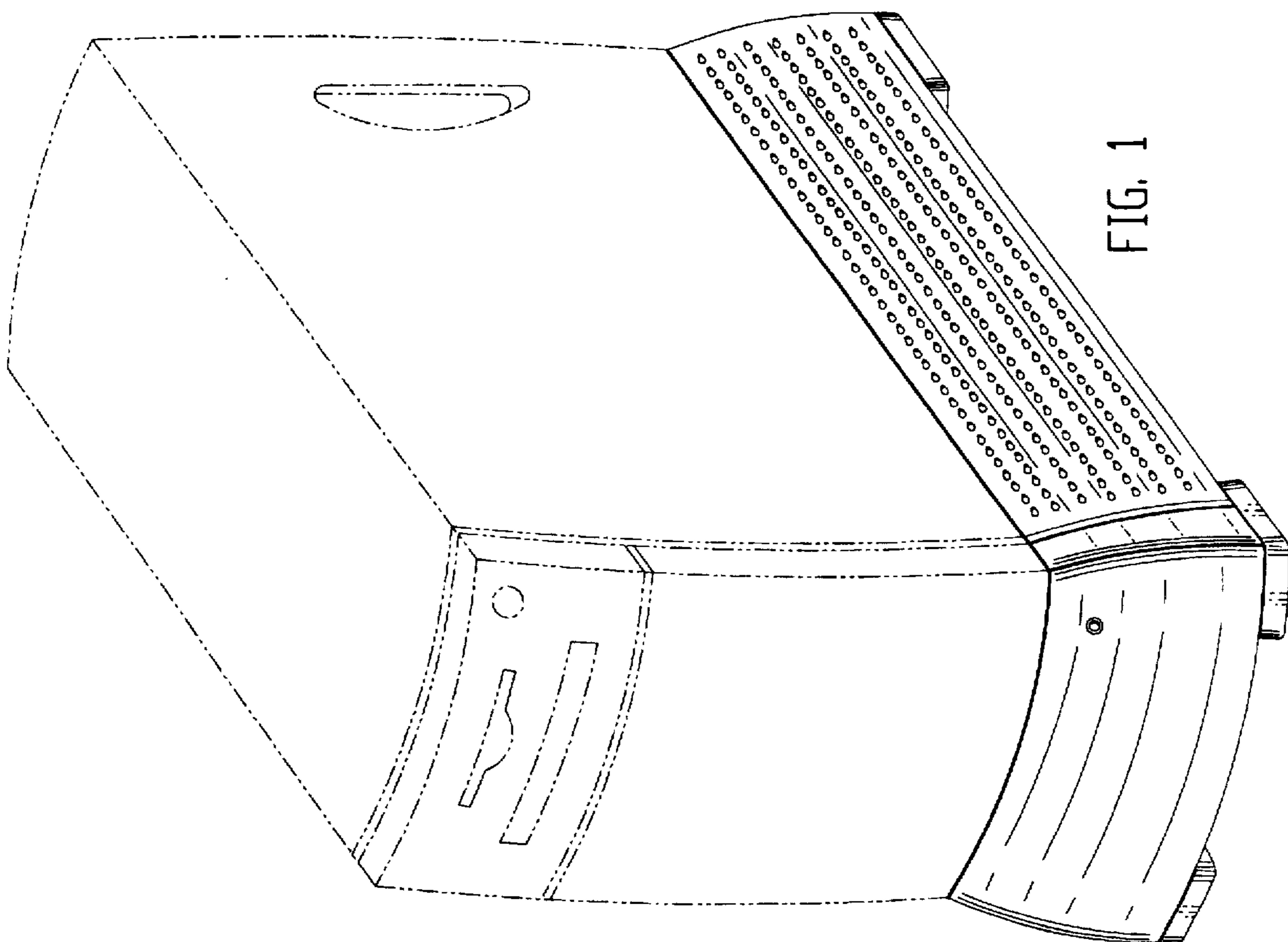


FIG. 1

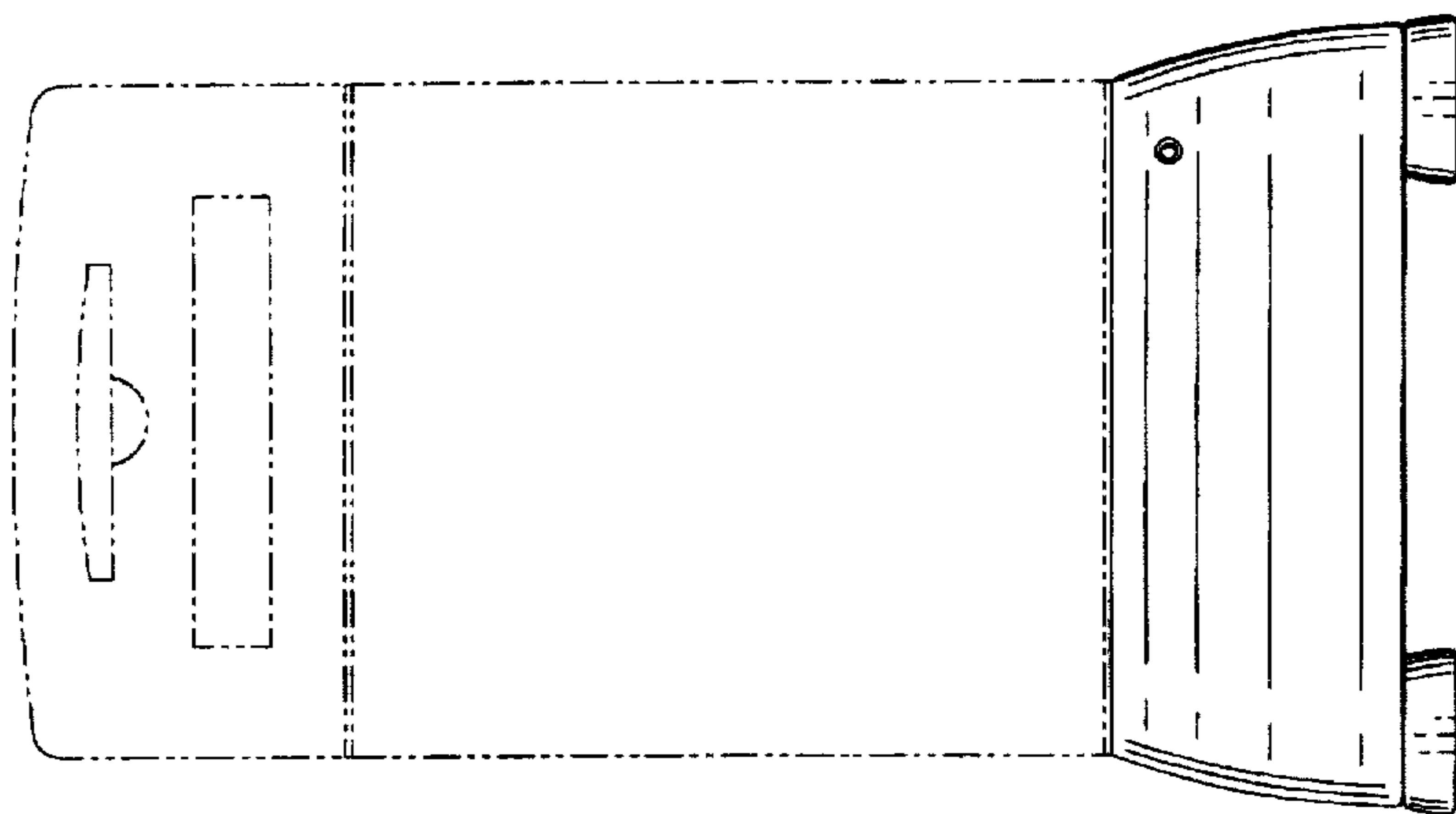


FIG. 2

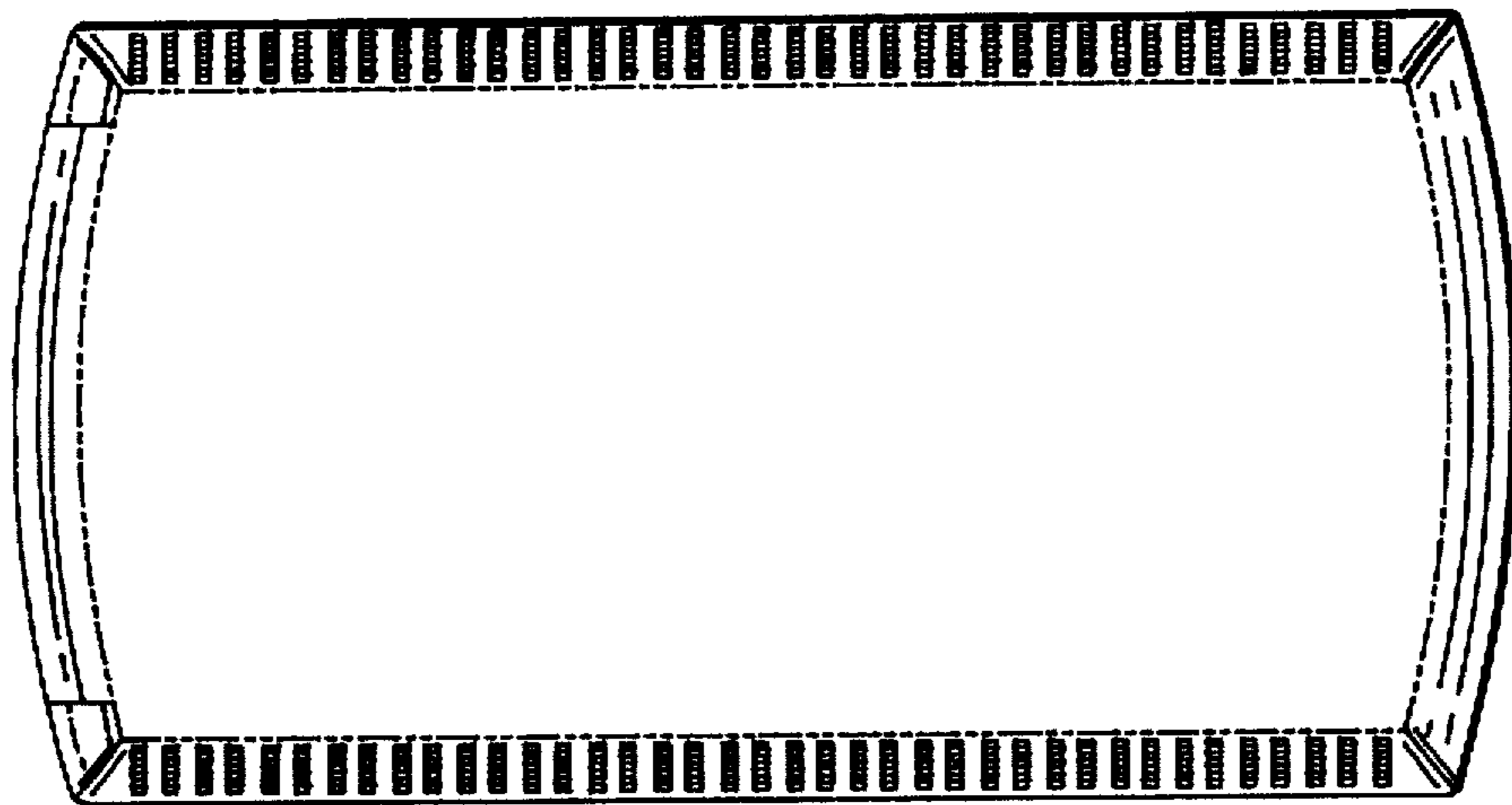


FIG. 4

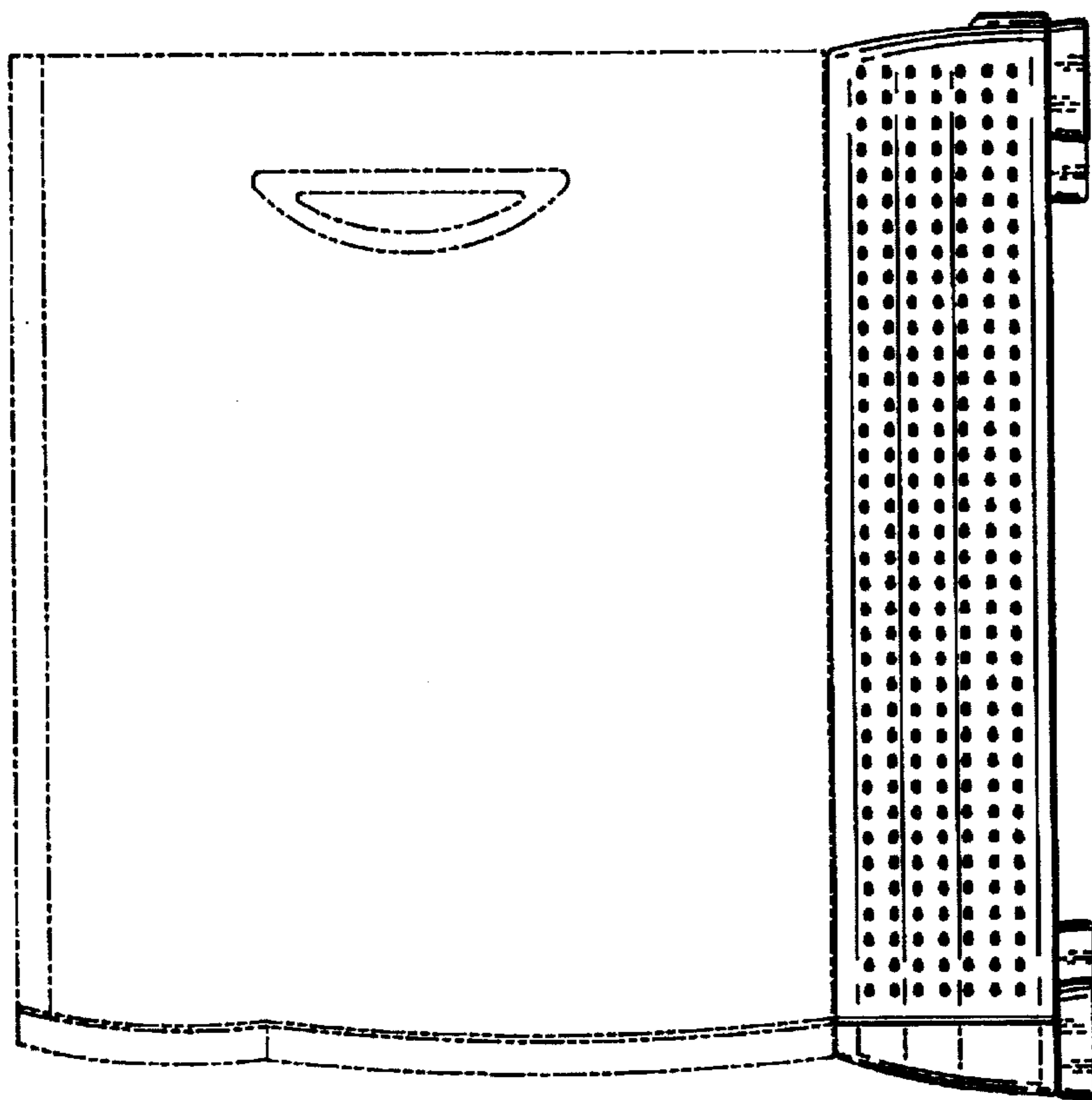


FIG. 3

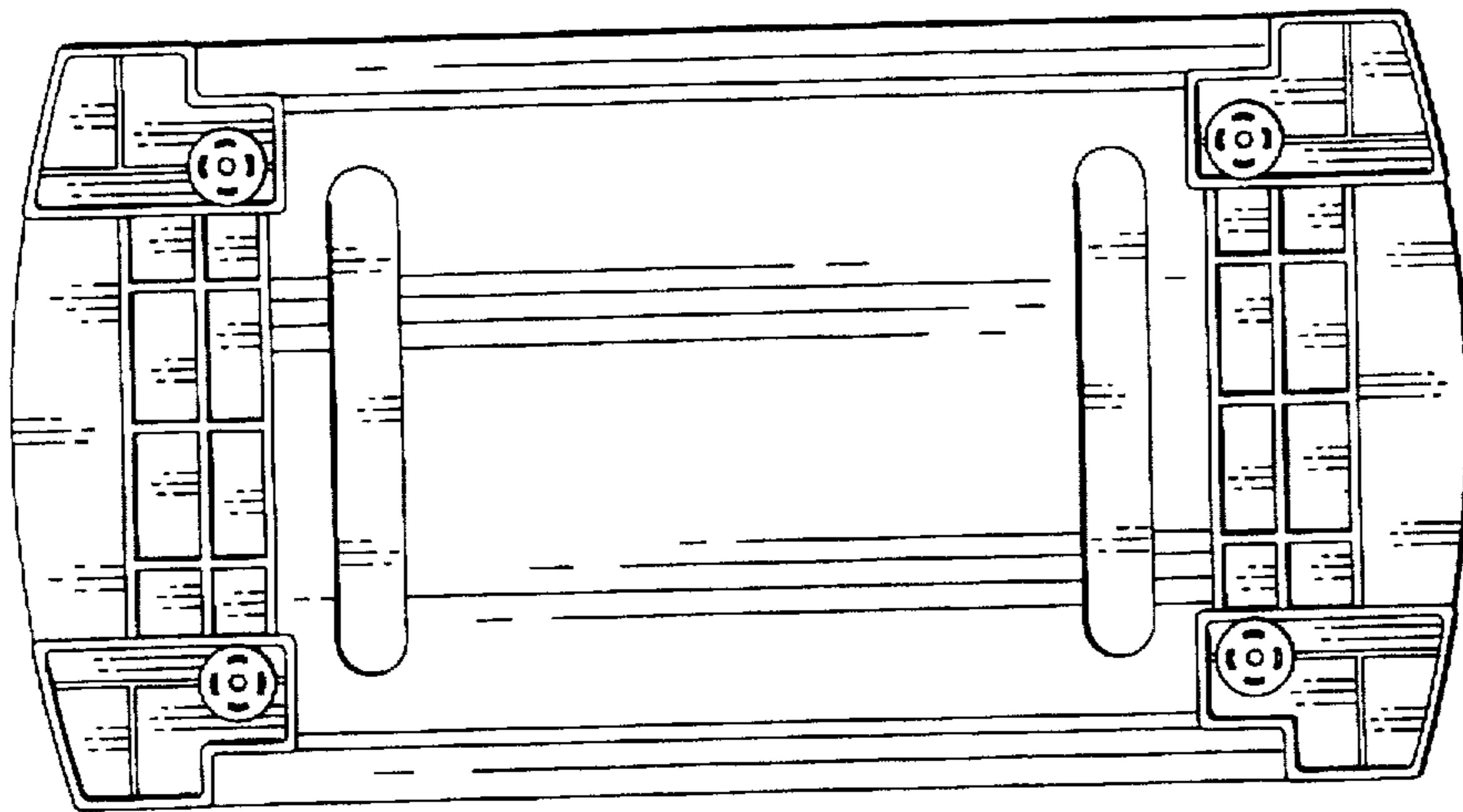


FIG. 6

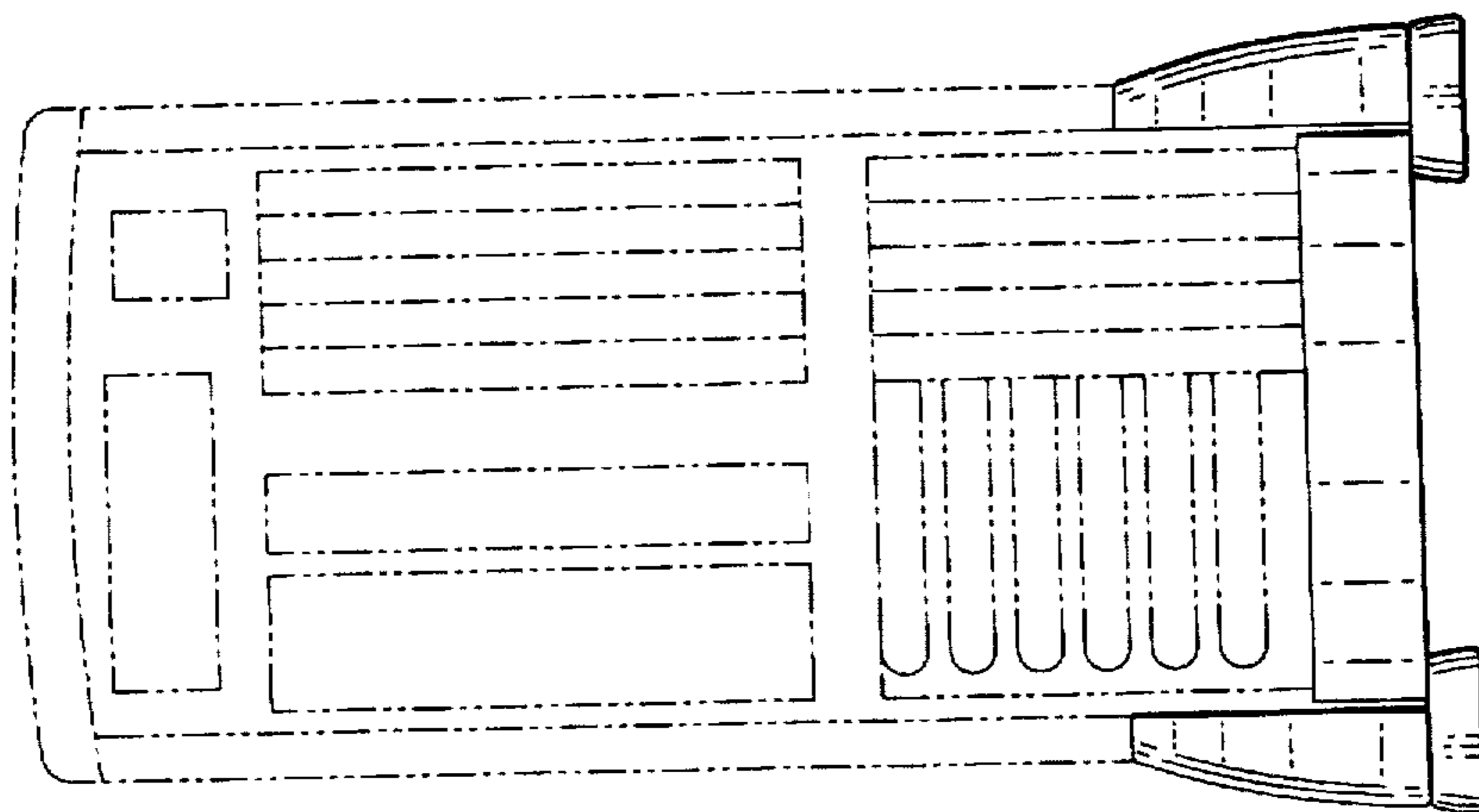


FIG. 5

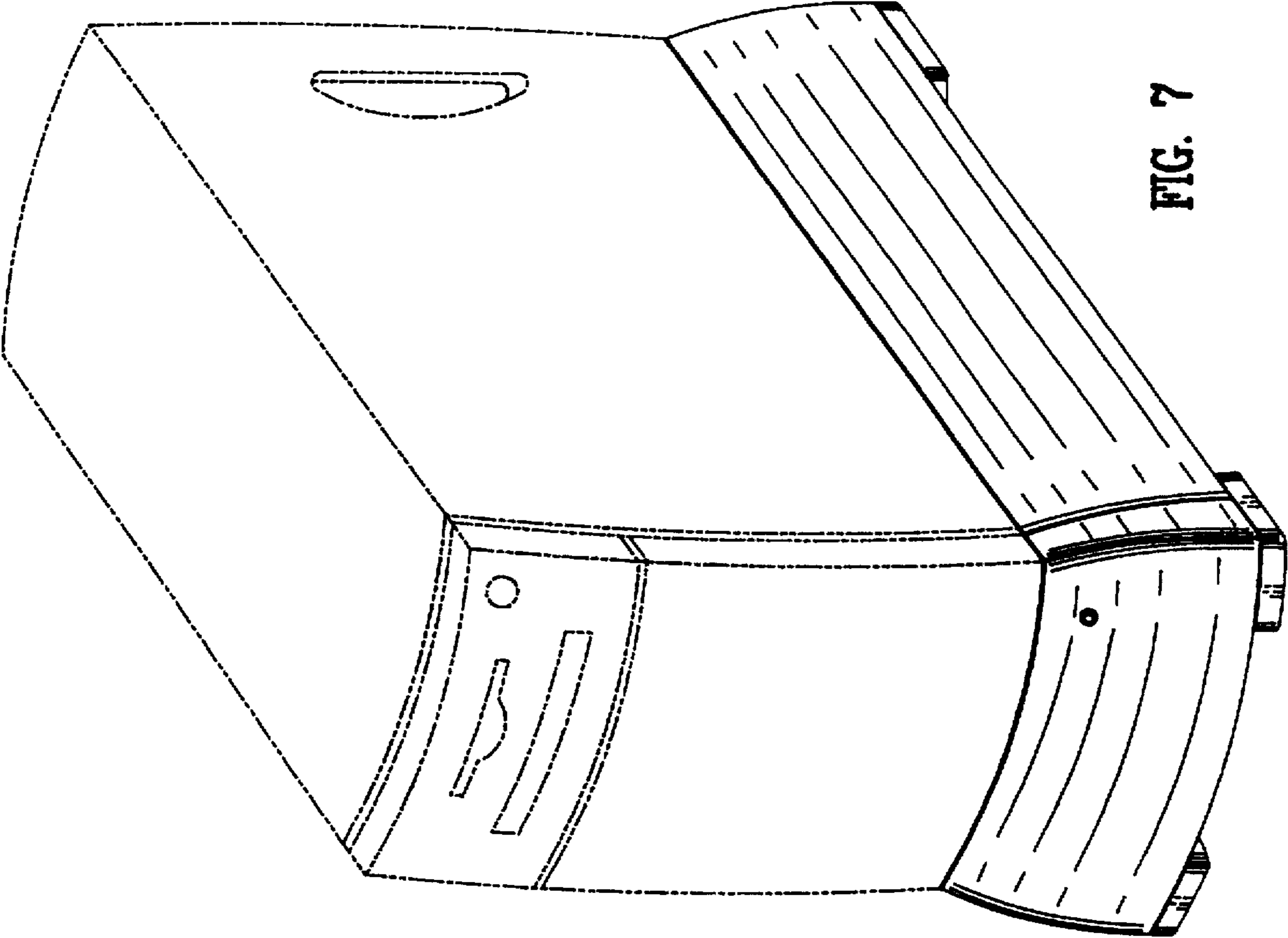


FIG. 7

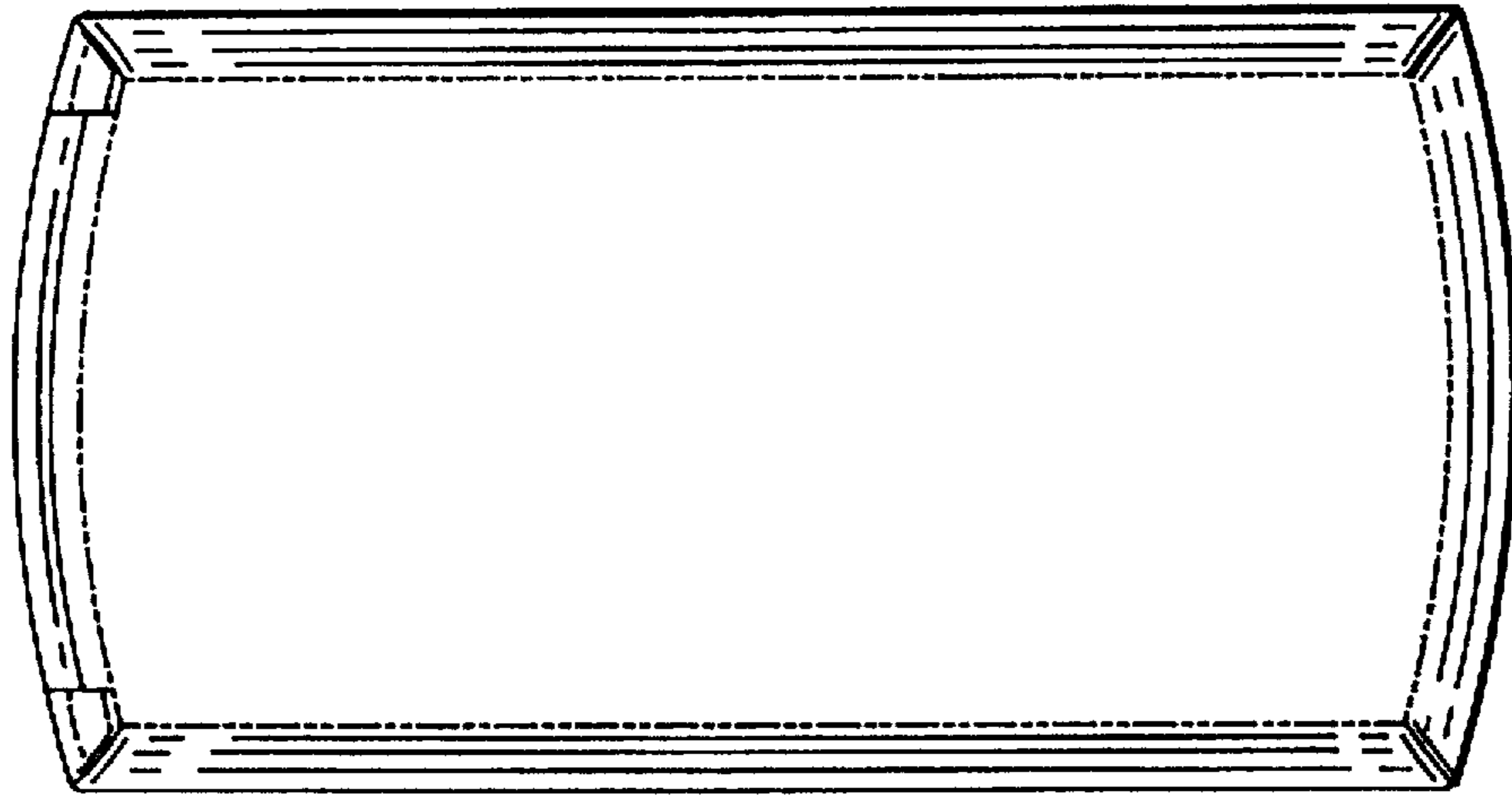


FIG. 9

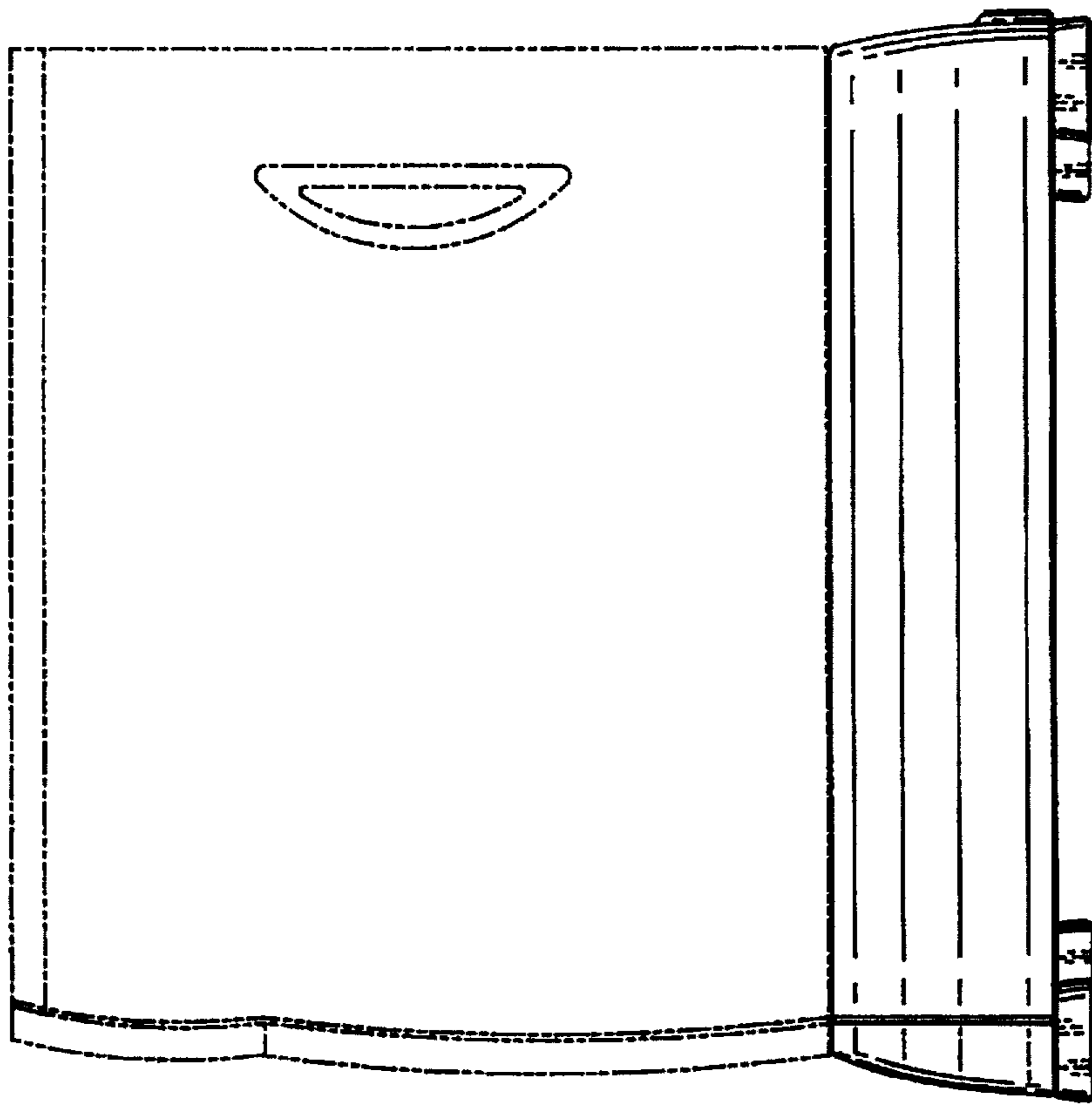


FIG. 8