



US00D397672S

United States Patent [19]

Johnson et al.

[11] Patent Number: **Des. 397,672**

[45] Date of Patent: ****Sep. 1, 1998**

[54] **CENTER PORTION OF A TOP SURFACE FOR A DOOR FOR A VIDEOCASSETTE**

[75] Inventors: **Gregory H. Johnson, Oakdale, Minn.; Mark J. Ciesko, Hilliard, Ohio**

[73] Assignee: **Minnesota Mining and Manufacturing Company, St. Paul, Minn.**

[**] Term: **14 Years**

[21] Appl. No.: **20,916**

[22] Filed: **Apr. 5, 1994**

[51] LOC (6) CL **14-99**

[52] U.S. Cl. **D14/121**

[58] Field of Search **D14/120-123, D14/299; 206/387.1, 387.12-387.15; 242/342-345, 345.1-345.3, 346, 346.2; 360/132**

[56] **References Cited**

U.S. PATENT DOCUMENTS

D. 266,419 10/1982 Hashimoto et al. D14/121

D. 351,379	10/1994	Suzuki	D14/121
4,501,396	2/1985	Tomsyck et al.	242/199
4,754,357	6/1988	Nelson	360/132
4,858,848	8/1989	Katoku et al.	242/346.2 X
4,911,298	3/1990	Miyagawa et al.	206/387.1
5,269,412	12/1993	Doodson	242/344 X

Primary Examiner—Ted Shooman
Assistant Examiner—Nanda Bondade
Attorney, Agent, or Firm—Gary L. Griswold; Walter N. Kirn; Charles D. Levine

[57] **CLAIM**

The ornamental design for a center portion of a top surface for a door for a videocassette, as shown and described.

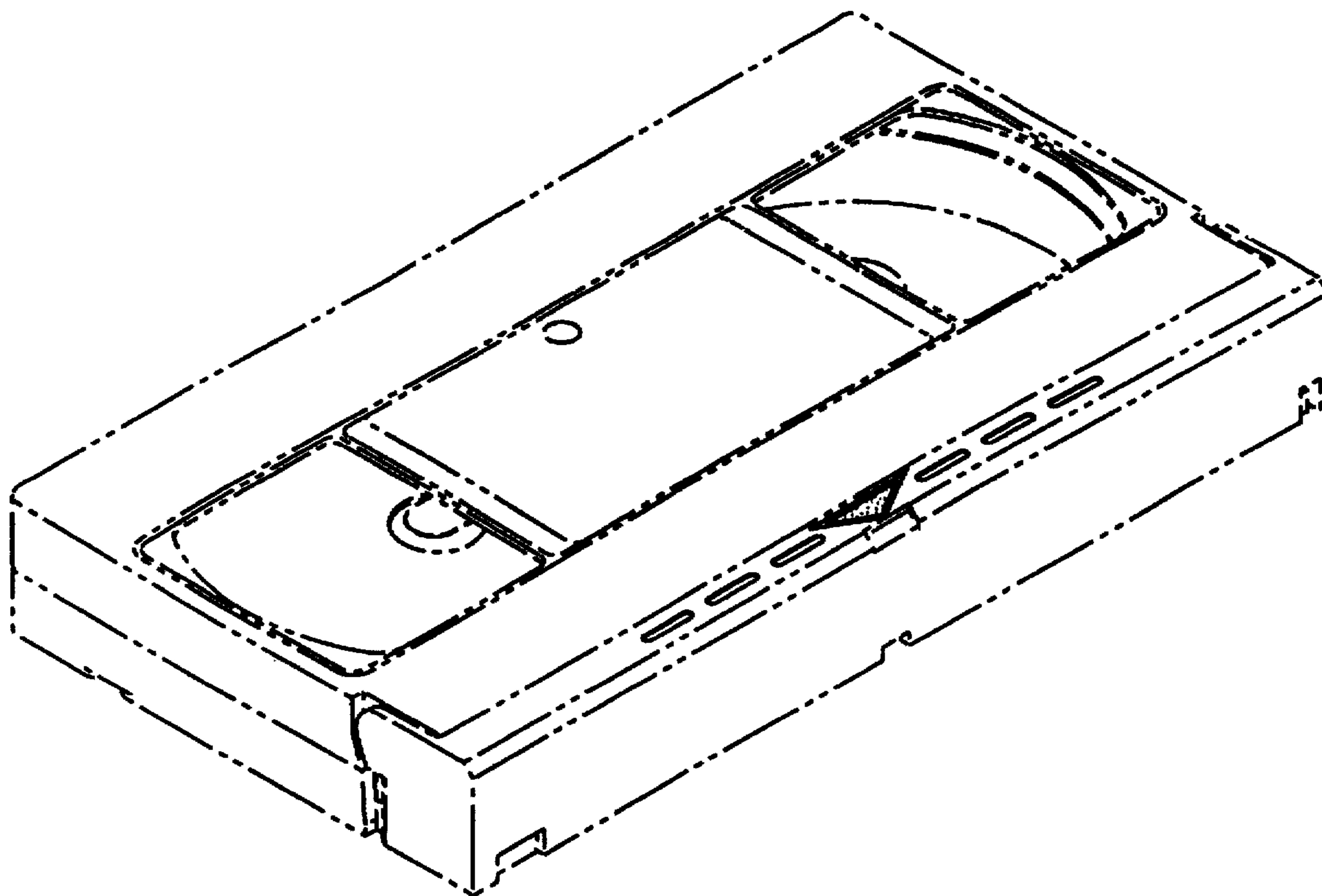
DESCRIPTION

FIG. 1 is a perspective view of a center portion of a top surface for a door for a videocassette showing our new design; and,

FIG. 2 is a top plan view thereof.

The broken line showing of the videocassette and tape reel is for illustrative purposes only and forms no part of the claimed design.

1 Claim, 1 Drawing Sheet



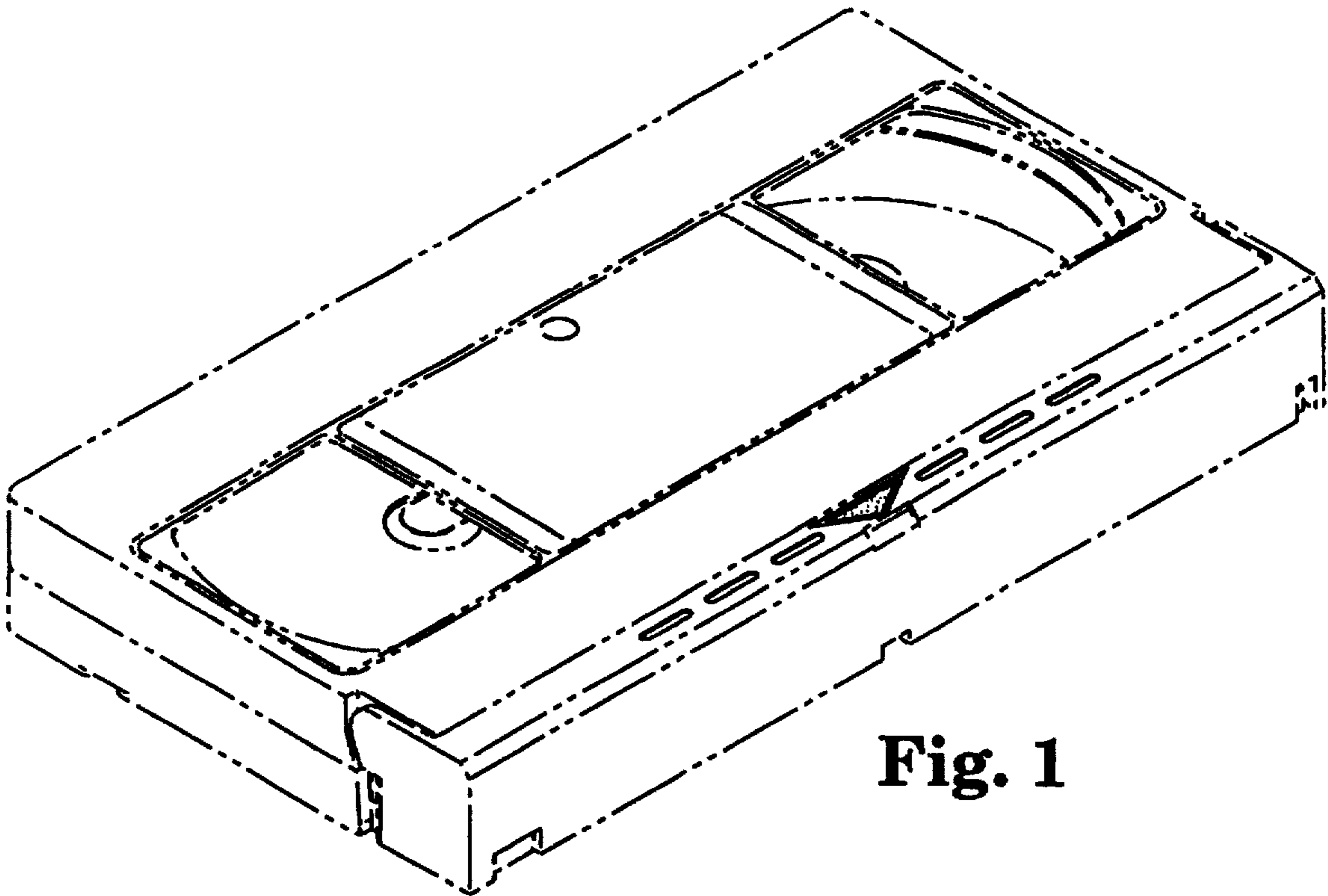


Fig. 1

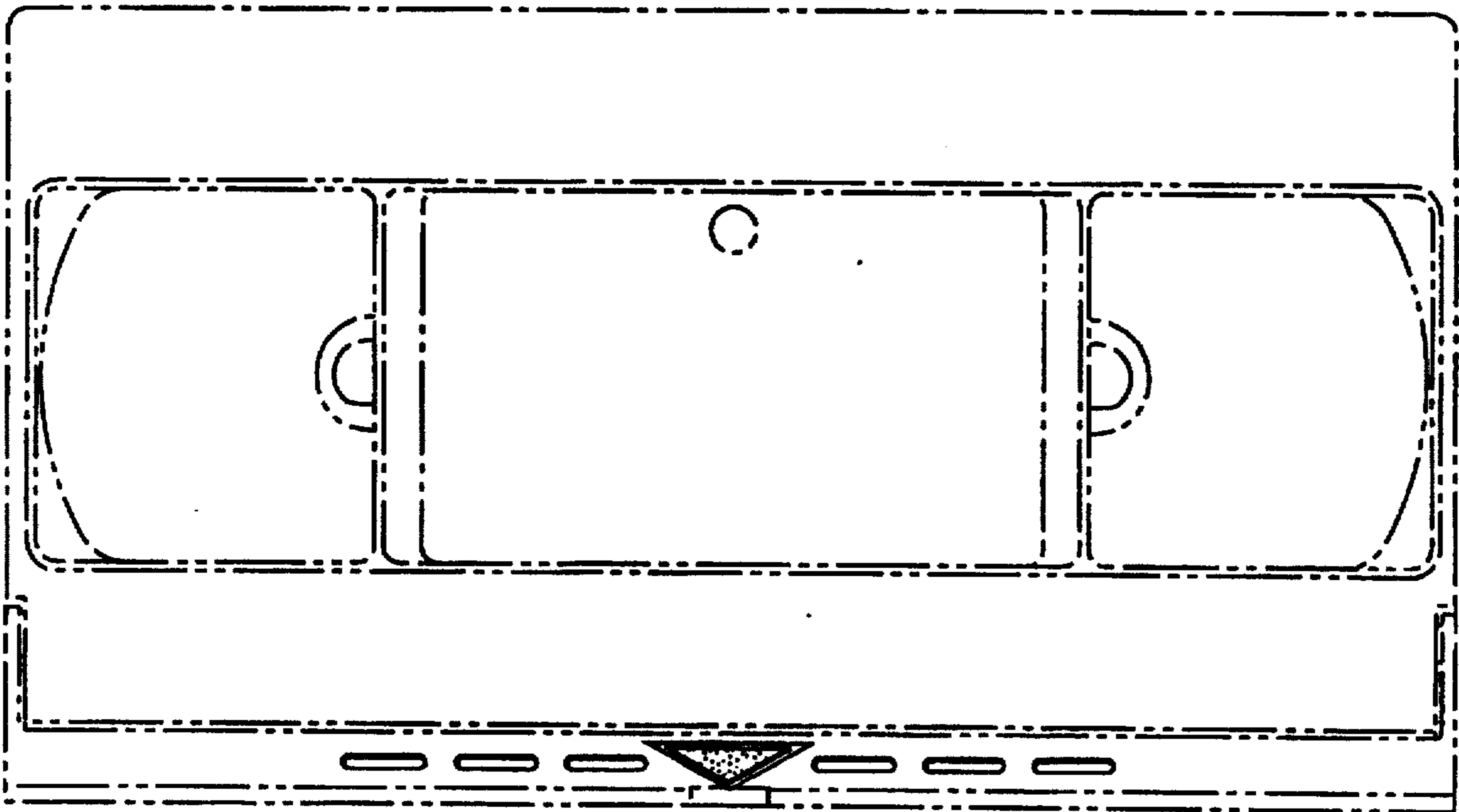


Fig. 2