



US00D397670S

United States Patent [19]

Davies et al.

[11] Patent Number: **Des. 397,670**

[45] Date of Patent: ****Sep. 1, 1998**

[54] **BATTERY PACK FOR A PORTABLE ELECTRONIC DEVICE**

5,234,186	8/1993	Powell	248/118.1
5,506,749	4/1996	Matsuda	361/683
5,621,299	4/1997	Knoll	320/5

[75] Inventors: **Philip Davies**, Epsom; **Suzy Stone**, St. Albans; **Lloyd Vincent**, Horsmonden; **Geoff Grey**, Bushey, all of England

OTHER PUBLICATIONS

Batteries on p. 303 of Hong Kong Enterprise, Oct. 1993.

[73] Assignee: **AER Energy Resources, Inc.**, Smyrna, Ga.

Primary Examiner—Joel Sincavage
Attorney, Agent, or Firm—Jones & Askew, LLP

[**] Term: **14 Years**

[57] CLAIM

[21] Appl. No.: **54,557**

The ornamental design for a battery pack for a portable electronic device, as shown.

[22] Filed: **May 16, 1996**

DESCRIPTION

[51] LOC (6) CL **13-02**

FIG. 1 is a top, front, left side perspective view of a battery pack for a portable electronic device showing our design;

[52] U.S. Cl. **D13/103**

FIG. 2 is a top plan view thereof;

[58] Field of Search D13/103; 429/96-100, 429/163, 176

FIG. 3 is a front elevation view thereof;

FIG. 4 is a bottom plan view thereof;

FIG. 5 is a rear side elevation view thereof;

FIG. 6 is a right side elevation view thereof; and,

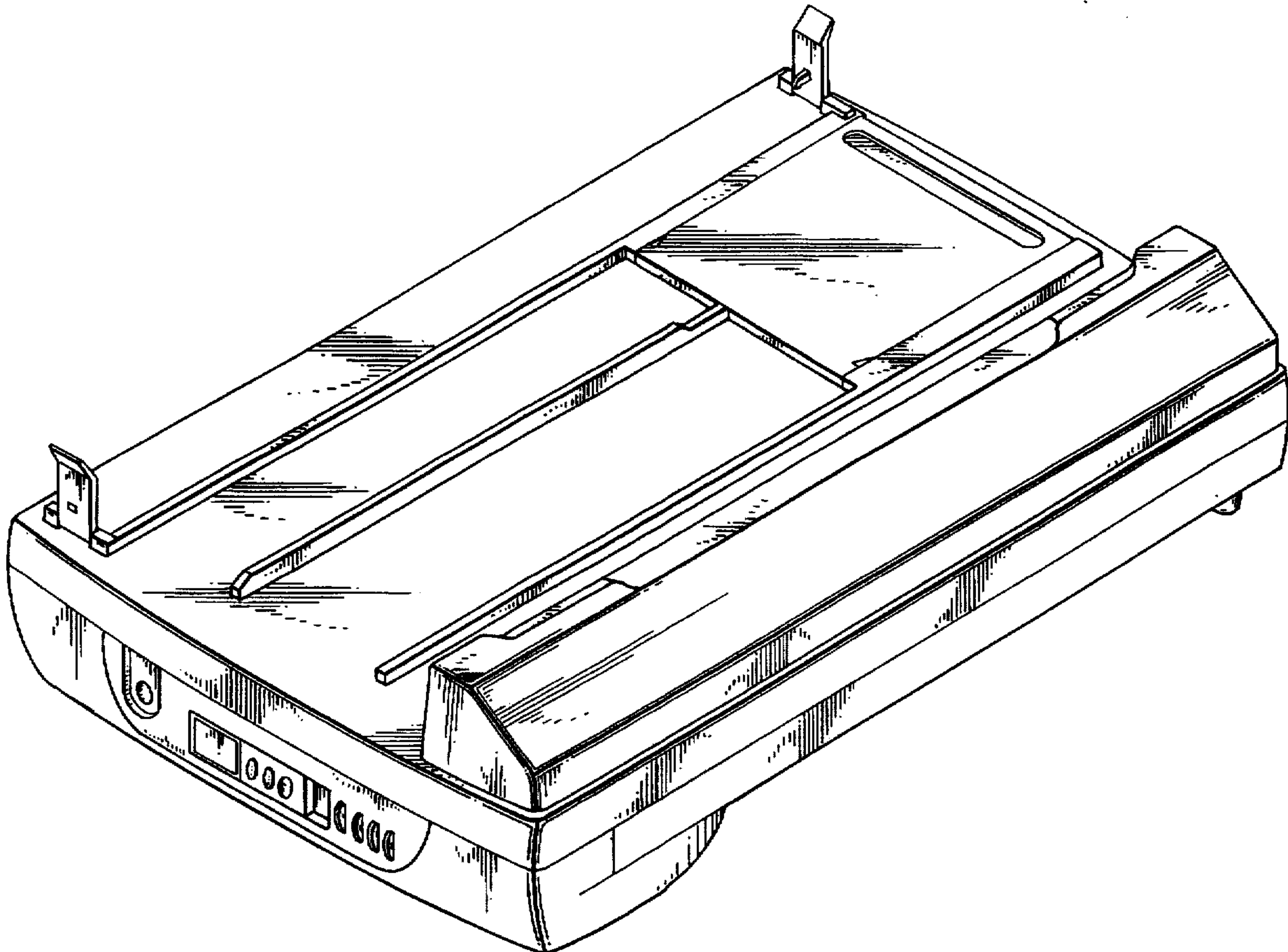
FIG. 7 is a left side elevation view thereof.

[56] References Cited

U.S. PATENT DOCUMENTS

D. 330,693	11/1992	Watanabe et al.	D13/103
5,039,928	8/1991	Nishi et al.	320/2

1 Claim, 4 Drawing Sheets



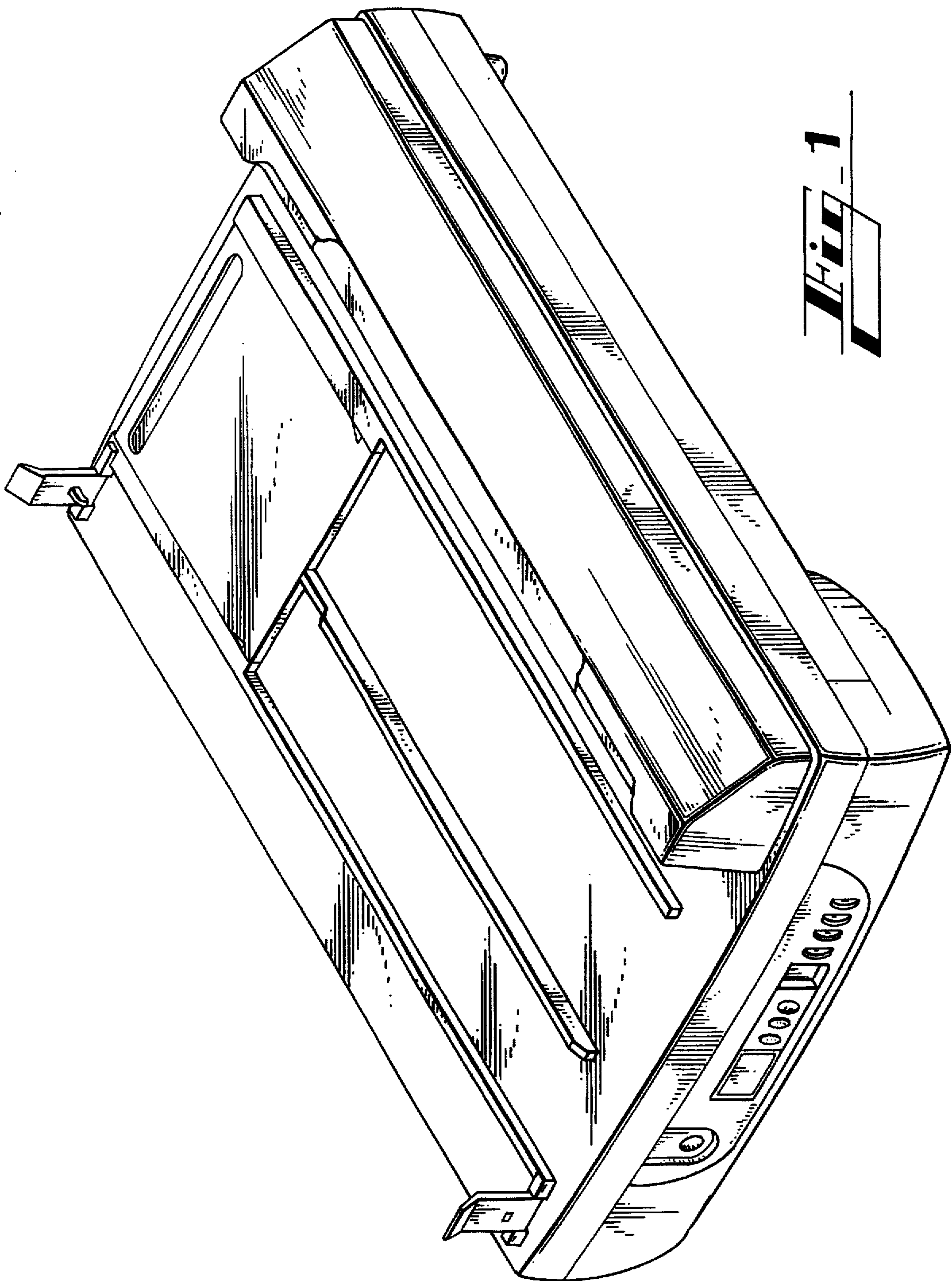


FIG. 1

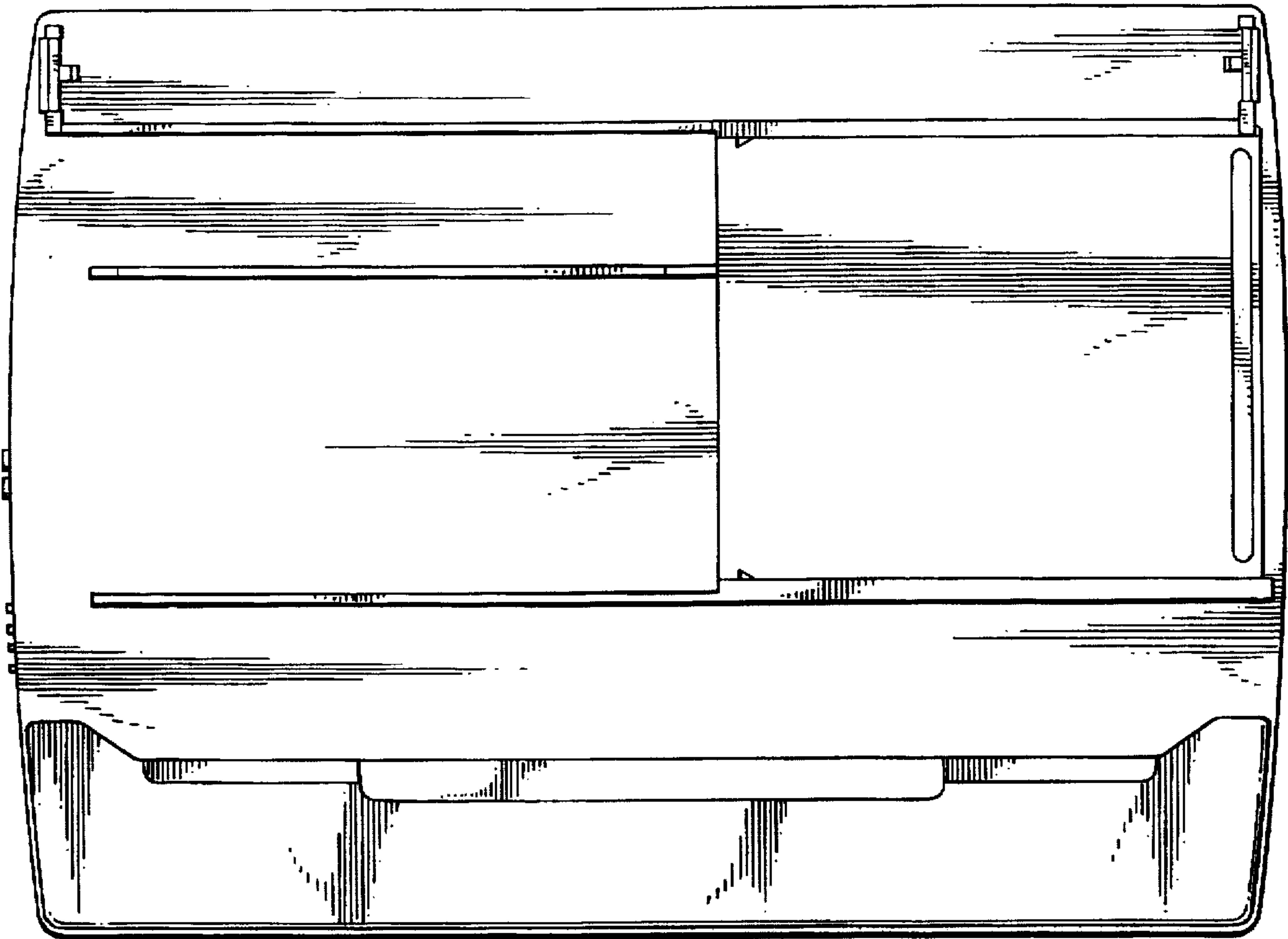


Fig. 2

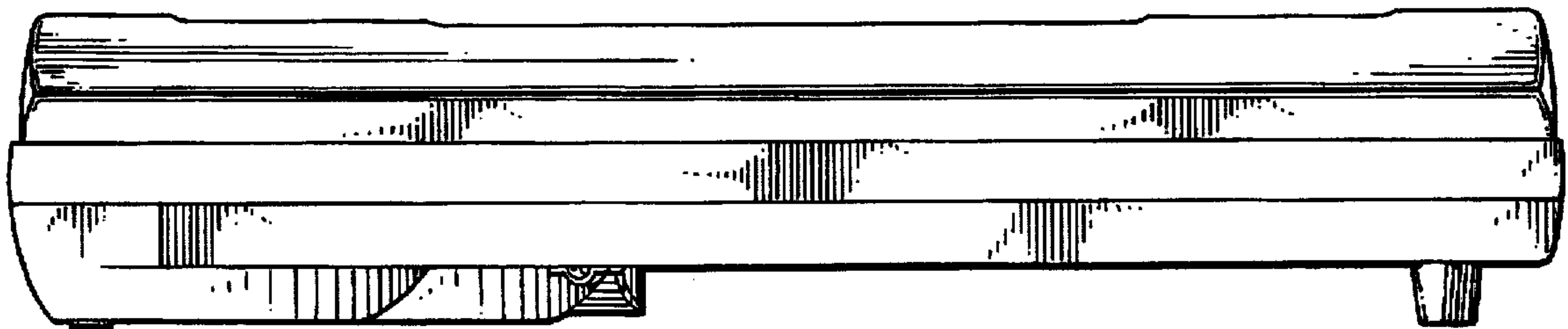


Fig. 3

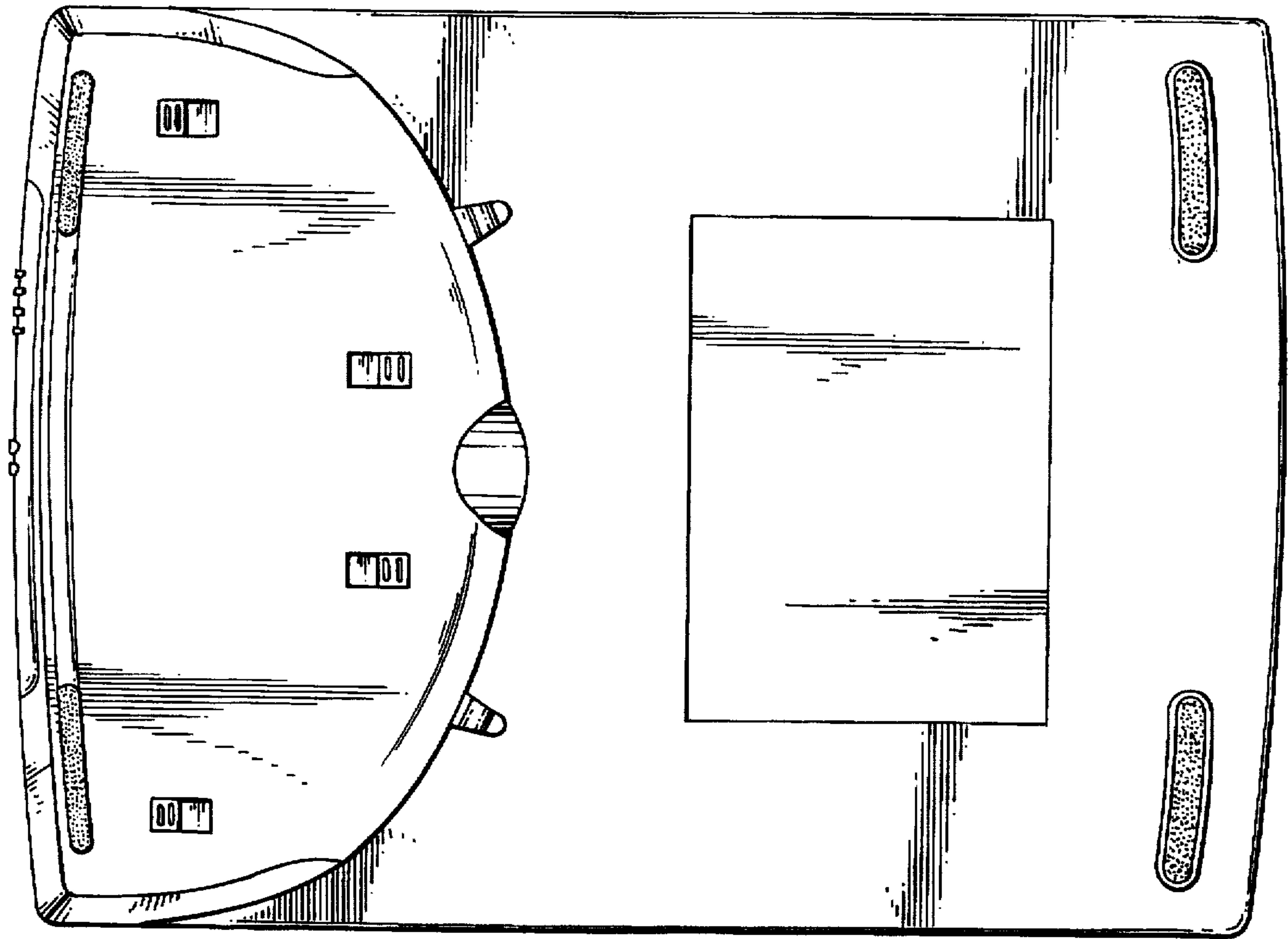


Fig. 4

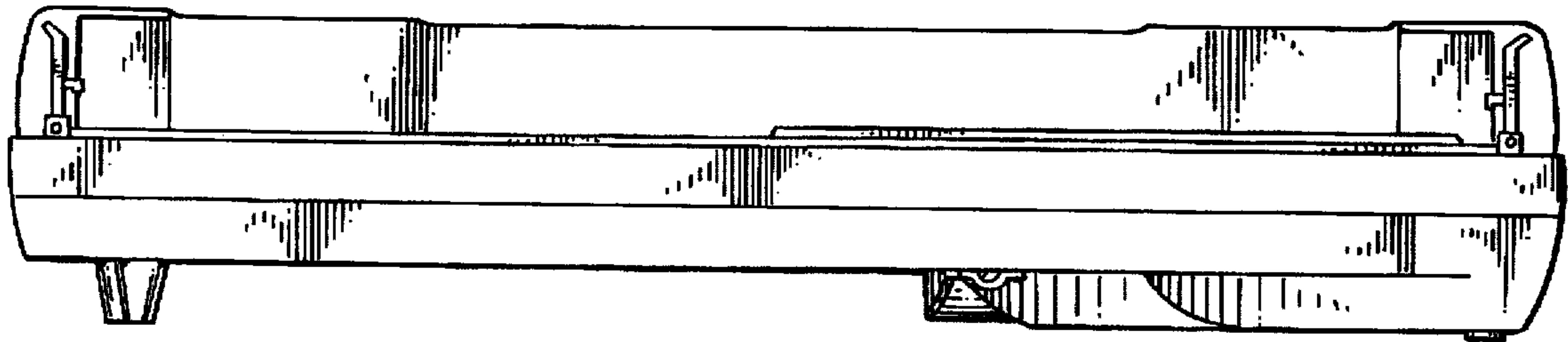


Fig. 5

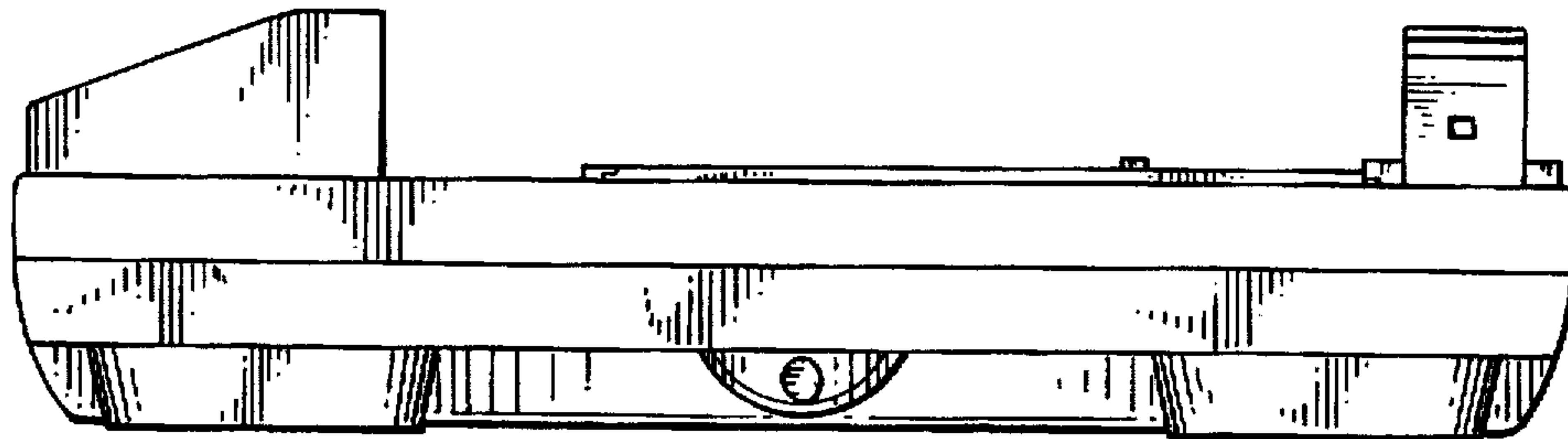


Fig. 6

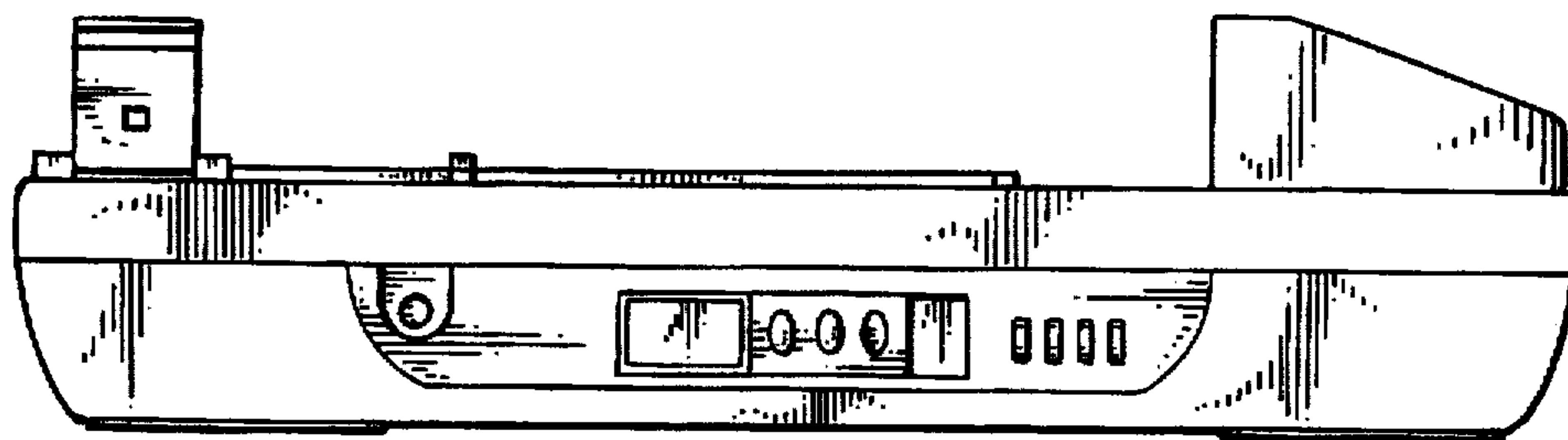


Fig. 7