



US00D397661S

United States Patent [19]
Harutiunian

[11] **Patent Number:** **Des. 397,661**
[45] **Date of Patent:** *****Sep. 1, 1998**

[54] **SMOOTH CHROME EXHAUST TIP**
[76] **Inventor:** **Harut Harutiunian**, 905 N. San Antonio Ave., Ontario, Calif. 91762
[*] **Notice:** The portion of the term of this patent subsequent to Sep. 30, 2011, has been disclaimed.
[**] **Term:** **14 Years**
[21] **Appl. No.:** **50,733**
[22] **Filed:** **Feb. 26, 1996**
[51] **LOC (6) Cl.** **12-16**
[52] **U.S. Cl.** **D12/194**
[58] **Field of Search** **D12/194; D15/5; 181/227, 228, 232**

3,404,750 10/1968 Powers et al. 181/228
4,473,131 9/1984 Clegg et al. 181/228 X
4,475,623 10/1984 Gerber et al. 181/228 X

Primary Examiner—Louis S. Zarfaz
Assistant Examiner—Eric Watterson
Attorney, Agent, or Firm—Leo R. Carroll

[57] **CLAIM**

The ornamental design for the smooth chrome exhaust tip, as shown and described.

DESCRIPTION

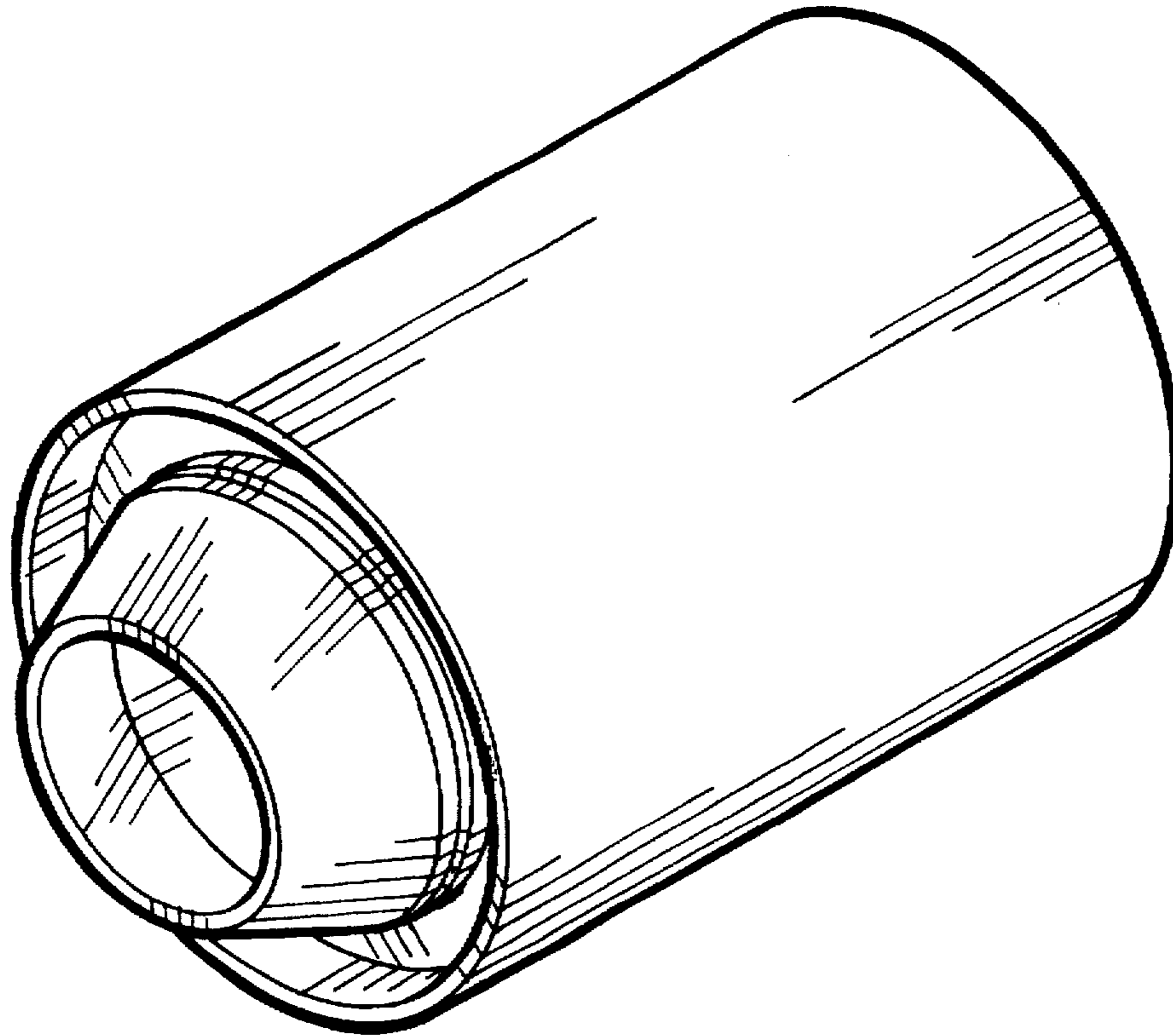
FIG. 1 is a rear view, showing my new design;
FIG. 2 is a side view thereof, the opposite side being a mirror image;
FIG. 3 is a front view thereof;
FIG. 4 is a rear perspective view thereof; and,
FIG. 5 is a front perspective view thereof.

[56] **References Cited**

U.S. PATENT DOCUMENTS

D. 179,320 11/1956 Russell D12/194

1 Claim, 3 Drawing Sheets



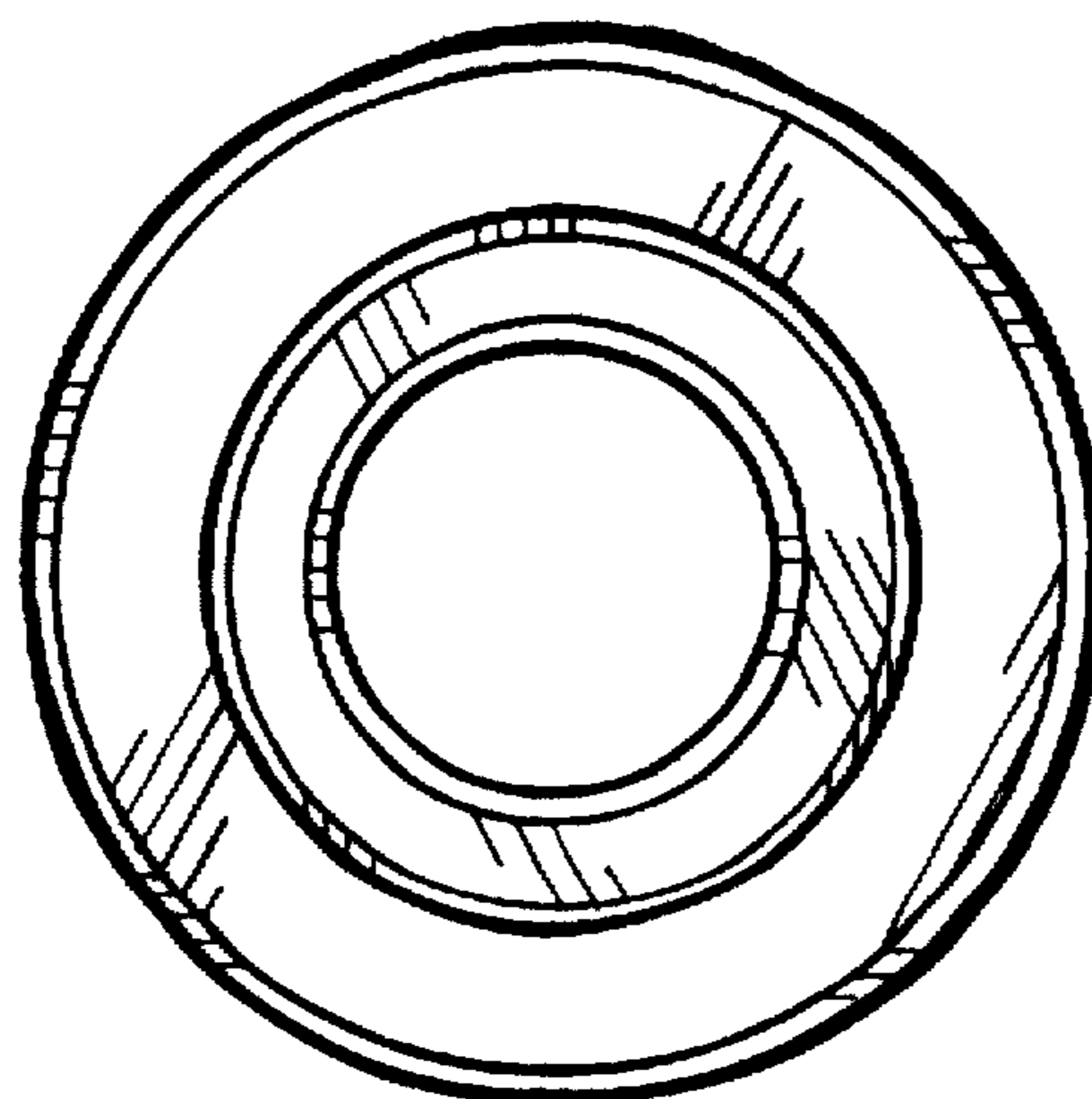


Fig-1

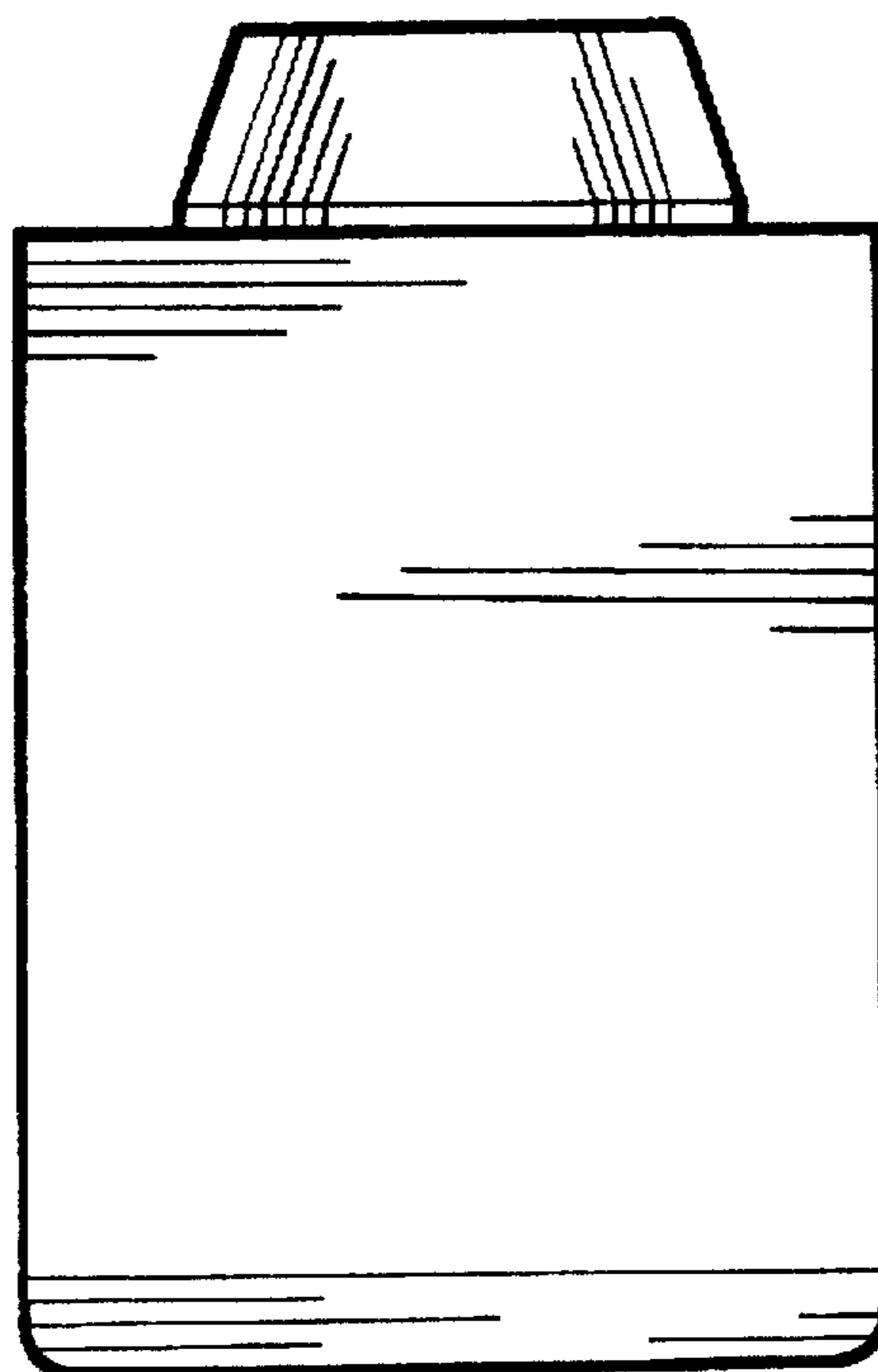


Fig-2

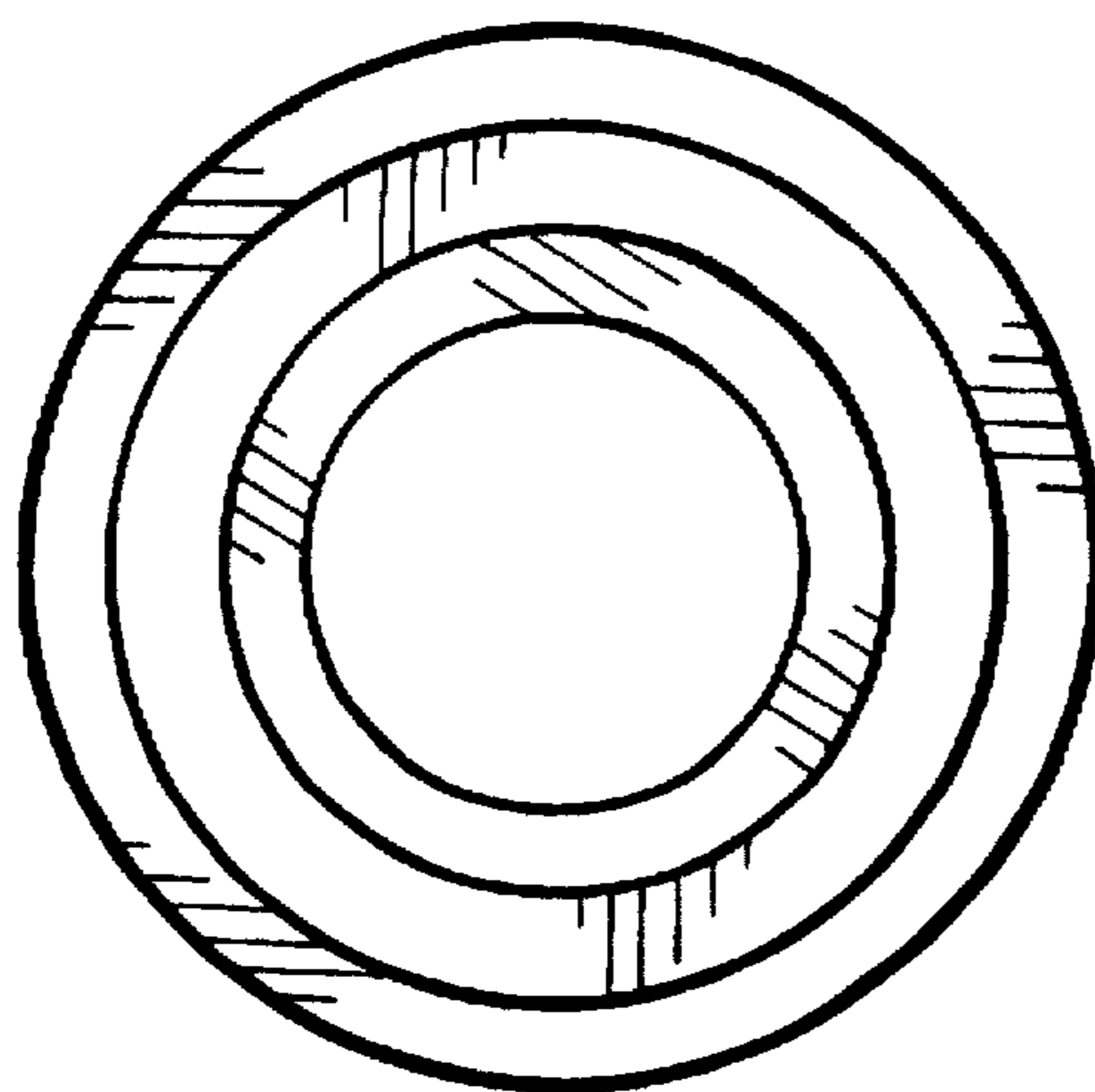


Fig. 3

