



US00D397660S

United States Patent [19]
Rosen

[11] **Patent Number:** **Des. 397,660**
[45] **Date of Patent:** ****Sep. 1, 1998**

[54] **ARTICULATING VISOR**

4,703,972 11/1987 Omberg .
5,056,854 10/1991 Rosen .

[75] **Inventor:** **John B. Rosen**, Eugene, Oreg.

OTHER PUBLICATIONS

[73] **Assignee:** **Advanced Multimedia Products Corporation**, Eugene, Oreg.

Brochure for "The Protector", Rosen Product Development, Inc. no date.

[**] **Term:** **14 Years**

Brochure for "Without Rosen Sunvisors, You're Flying Blind", Rosen Product Development, Inc. no date.

[21] **Appl. No.:** **66,476**

Primary Examiner—James Gandy

[22] **Filed:** **Feb. 6, 1997**

Assistant Examiner—Stacia Sinuik

[51] **LOC (6) Cl.** **12-16**

Attorney, Agent, or Firm—Kolisch, Hartwell, Dickinson, McCormack & Heuser

[52] **U.S. Cl.** **D12/191**

[57] **CLAIM**

[58] **Field of Search** D12/190, 191,
D12/417; 160/370.21, DIG. 3; 248/481,
484; 296/97.1-97.3, 97.4, 97.5, 97.6, 97.7,
97.9, 97.11-97.13

The ornamental design for an articulating visor, as shown and described.

DESCRIPTION

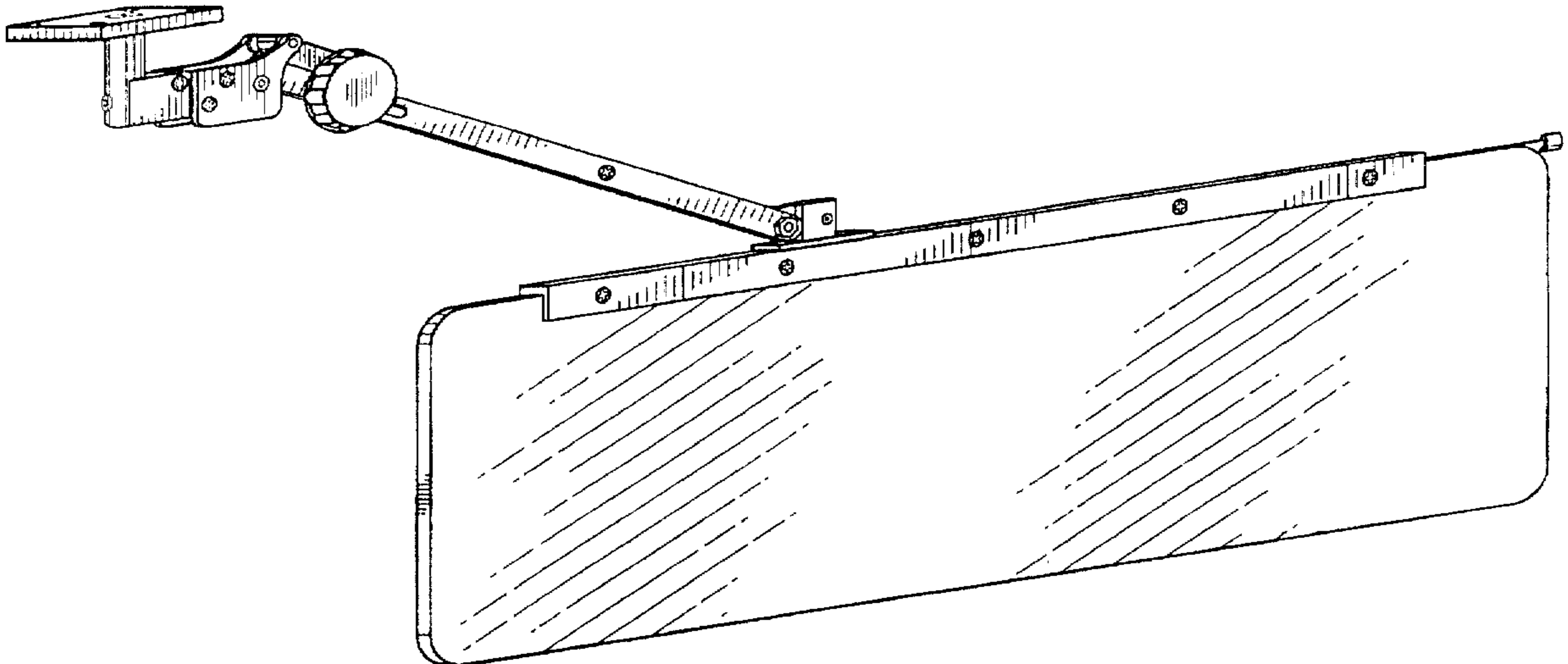
[56] **References Cited**

FIG. 1 is an isometric view of an articulating visor constructed in accordance with a preferred embodiment of the invention, the visor being shown in a first orientation; FIG. 2 is an isometric view similar to FIG. 1, but with the visor in a second orientation; FIG. 3 is a right-side view of the visor in the orientation shown in FIG. 1; FIG. 4 is a left-side view thereof; FIG. 5 is a rear elevational view thereof; FIG. 6 is front elevational view thereof; FIG. 7 is a top plan view thereof; and, FIG. 8 is a bottom plan view thereof.

U.S. PATENT DOCUMENTS

| | | | |
|------------|---------|-------------------------|------------|
| D. 367,458 | 2/1996 | Ziemer, Sr. et al. | D12/191 |
| D. 373,341 | 9/1996 | Nelson | D12/191 |
| D. 381,002 | 7/1997 | Nelson | D12/191 |
| 1,437,656 | 12/1922 | Hein . | |
| 1,958,962 | 5/1934 | Crosby . | |
| 2,220,429 | 11/1940 | Soderberg | 296/97.1 |
| 2,322,898 | 6/1943 | Van Dresser . | |
| 2,446,866 | 8/1948 | Bell | 296/97.4 X |
| 2,456,484 | 12/1948 | Bell | 296/97.1 |
| 2,458,677 | 1/1949 | Brundage . | |
| 2,634,161 | 4/1953 | Beets | 296/97.1 |
| 4,239,278 | 12/1980 | Skilliter, Jr. | 296/97.1 |

1 Claim, 3 Drawing Sheets



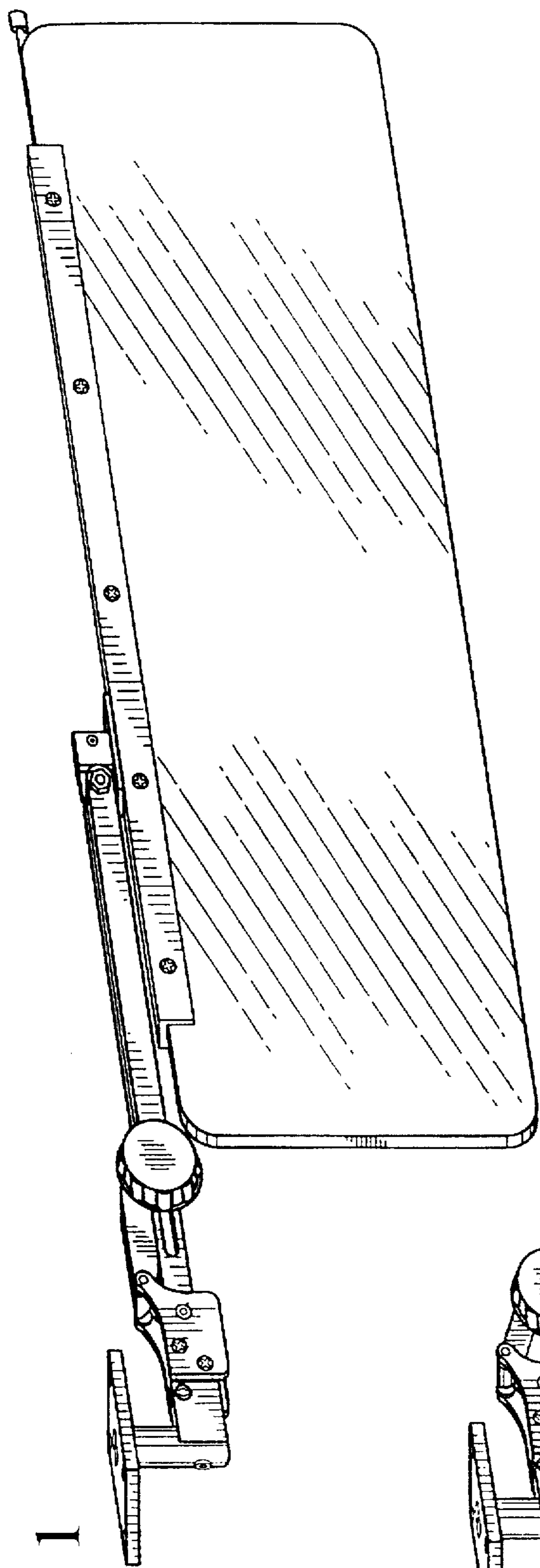


Fig. 1

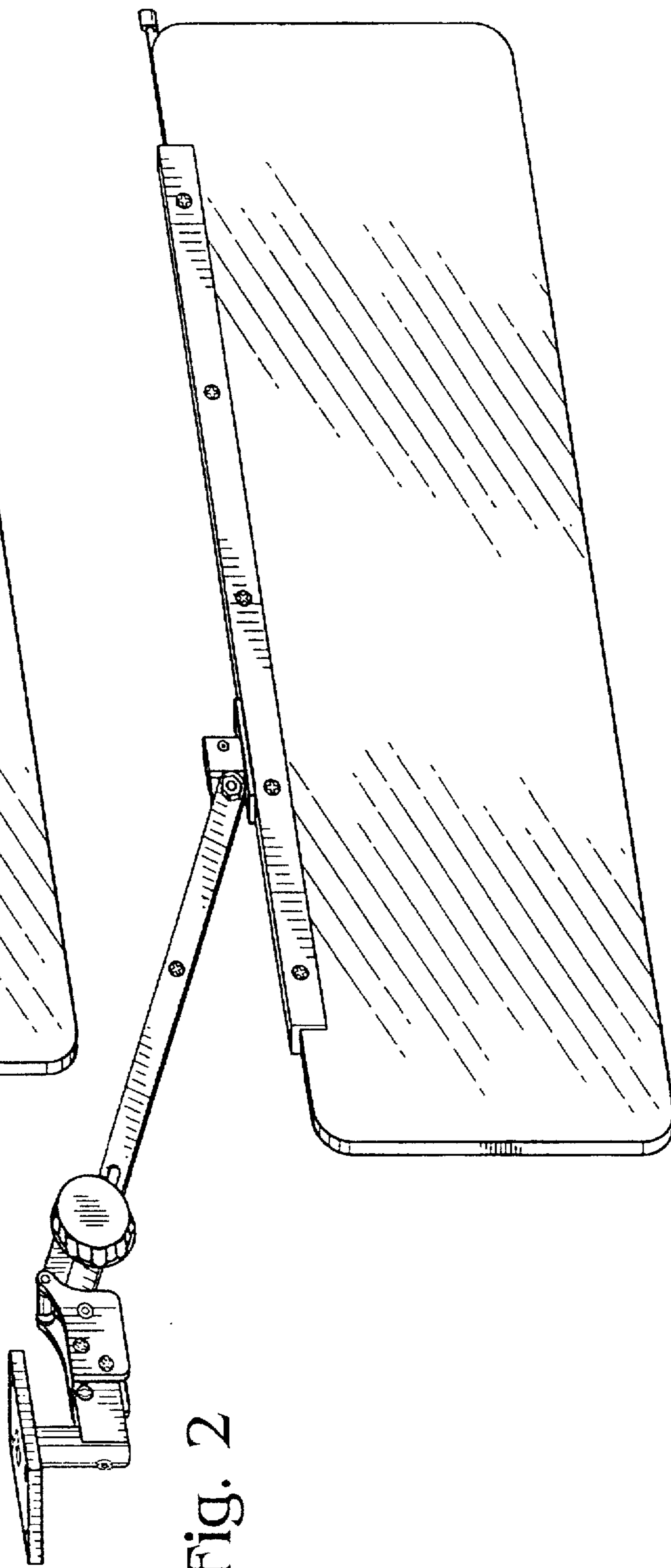


Fig. 2

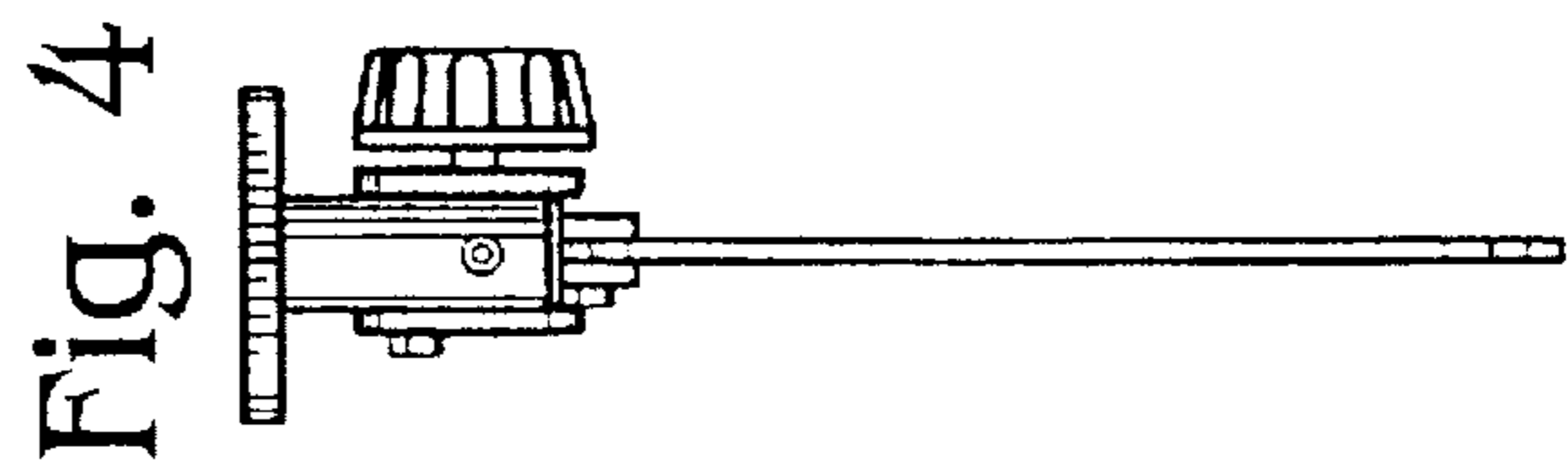
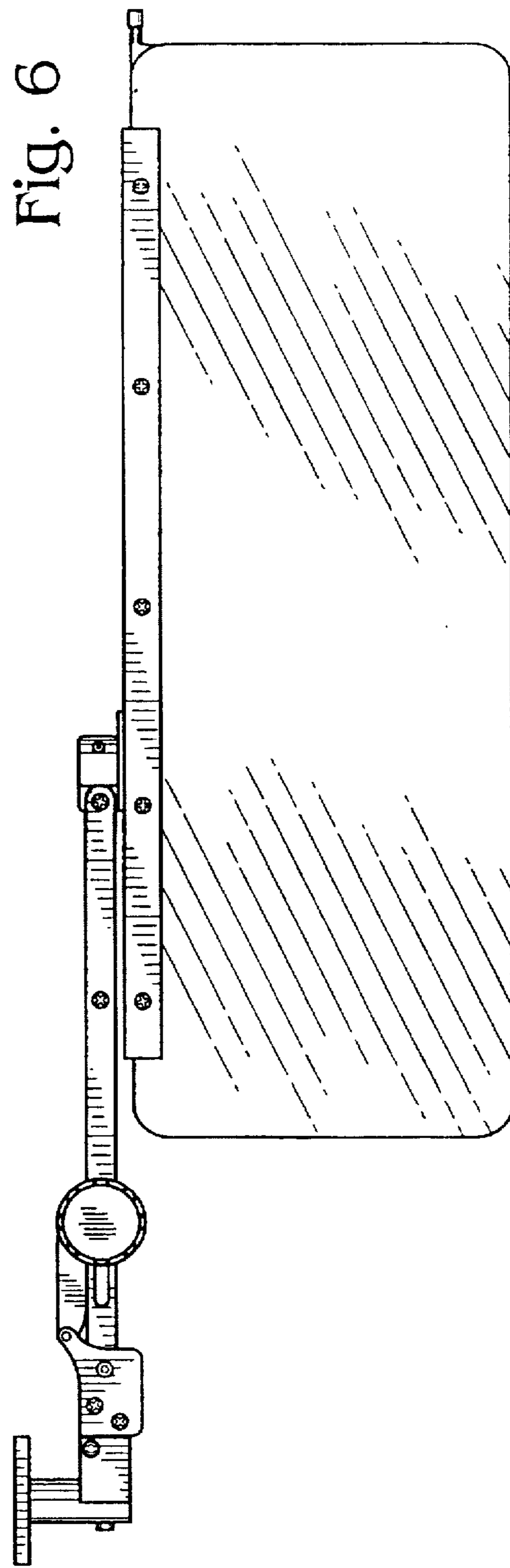
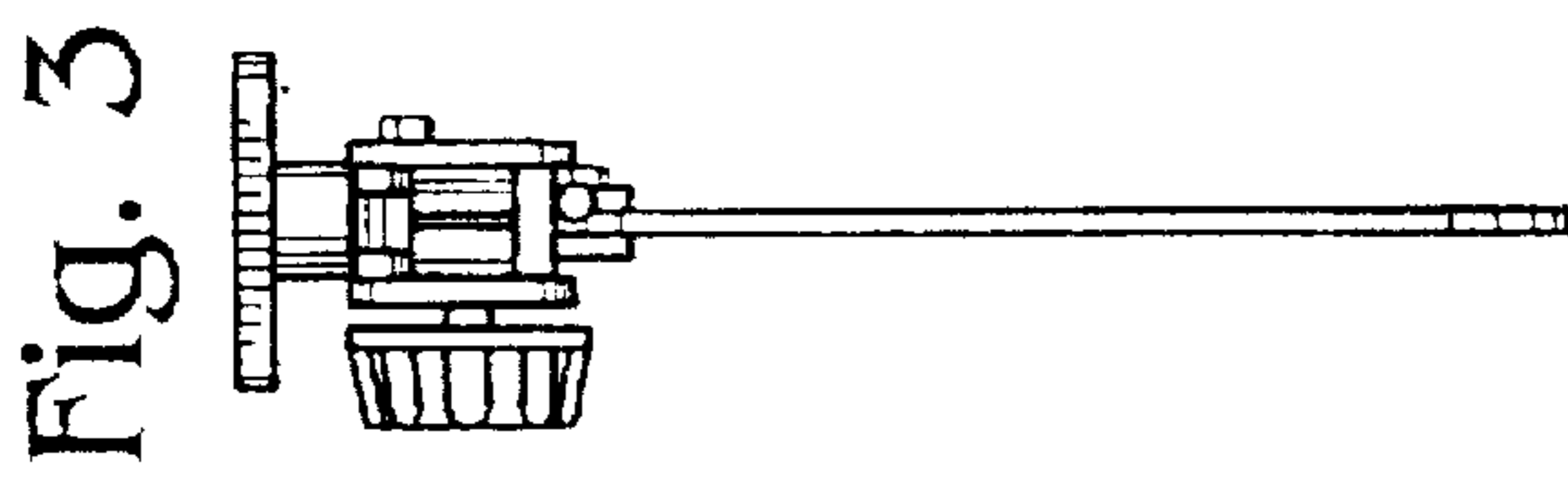
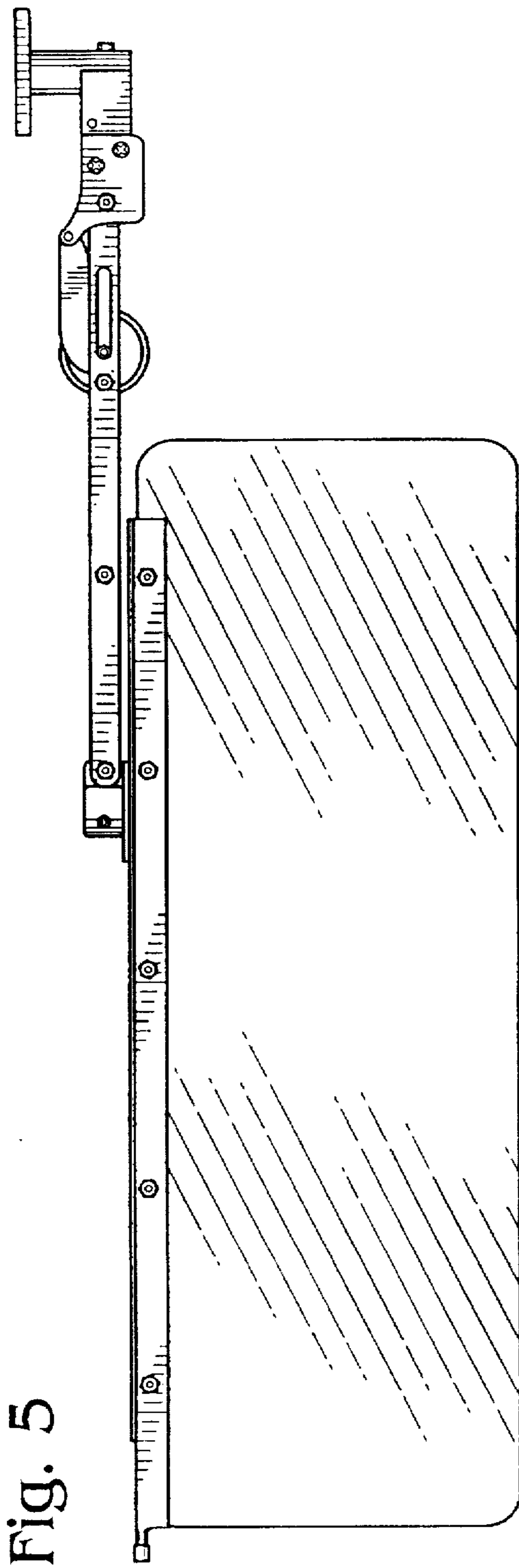


Fig. 7

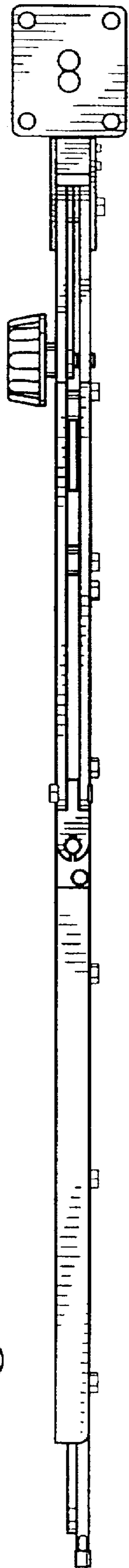


Fig. 8

